



US00D462854S

(12) **United States Design Patent**
Corning et al.

(10) **Patent No.:** **US D462,854 S**

(45) **Date of Patent:** **** Sep. 17, 2002**

(54) **TABLE**

(75) Inventors: **Don Corning**, Madison, WI (US);
Peter Knudsen, Eden Prairie, MN (US)

(73) Assignee: **Alliant Marketing Group, LLC**, Eden
Prairie, MN (US)

(**) Term: **14 Years**

(21) Appl. No.: **29/149,171**

(22) Filed: **Oct. 4, 2001**

(51) **LOC (7) Cl.** **06-03**

(52) **U.S. Cl.** **D6/480**

(58) **Field of Search** D6/480-489, 495-499,
D6/451, 429, 430; 108/151, 153.1, 156,
157.1, 161; 248/188, 188.1, 188.8

(56) **References Cited**

U.S. PATENT DOCUMENTS

D111,581 S * 10/1938 Frey D6/480

D334,313 S * 3/1993 Grosfillex D6/487

5,318,260 A * 6/1994 Kemnitz 248/188.91

D418,999 S * 1/2000 Tseng D6/480

* cited by examiner

Primary Examiner—Janice E. Seeger

(74) *Attorney, Agent, or Firm*—Michael Best & Friedrich,
LLC

(57) **CLAIM**

The ornamental design for a table, as shown and described.

DESCRIPTION

FIG. 1 is a front perspective view of the table showing my
new design;

FIG. 2 is a right side elevation view of the table, the left side
elevation view being identical thereto;

FIG. 3 is a top plan view of the table;

FIG. 4 is a front elevation view of the table, the back
elevation view being identical thereto; and,

FIG. 5 is a bottom plan view of the table.

1 Claim, 2 Drawing Sheets

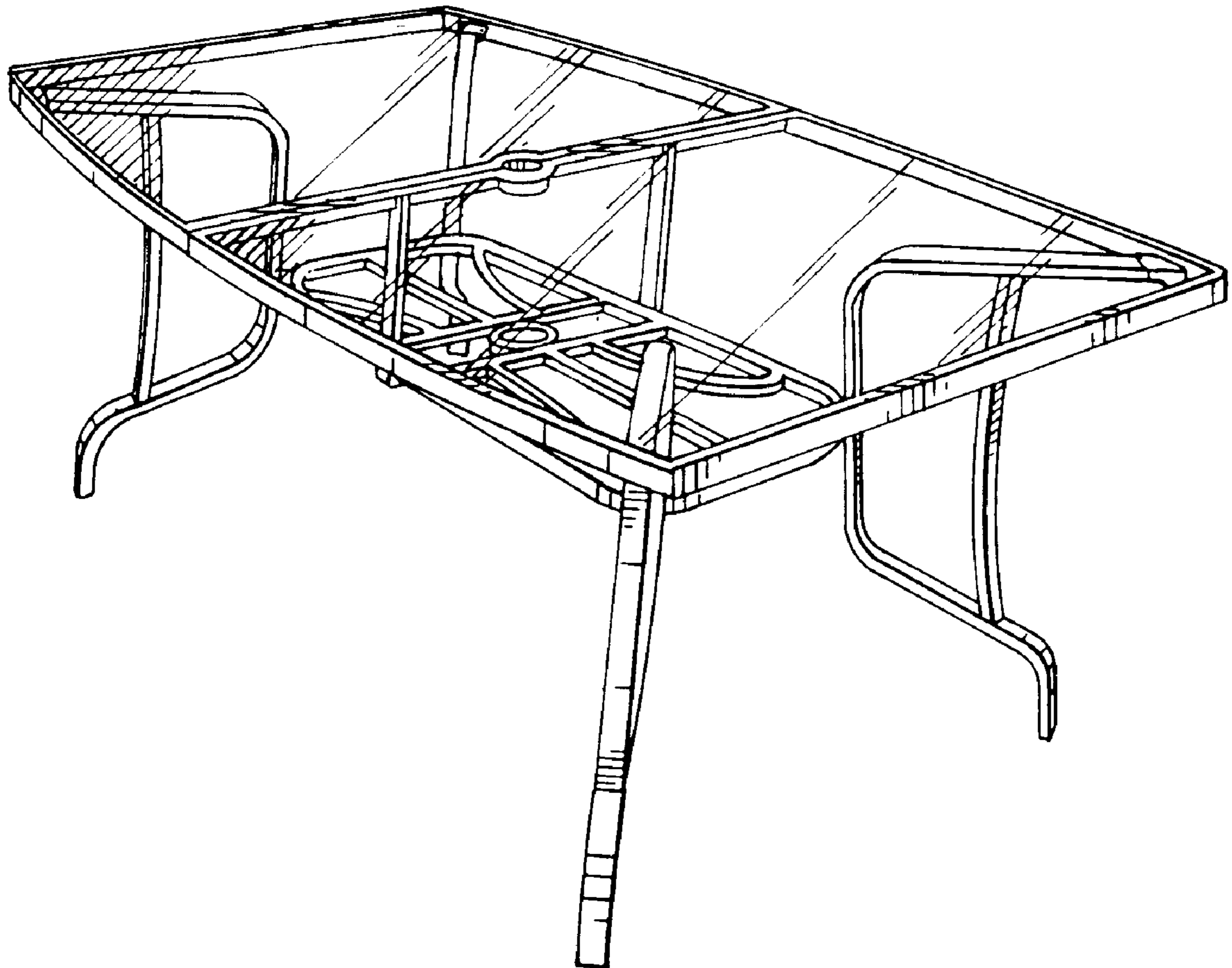


FIG. 1

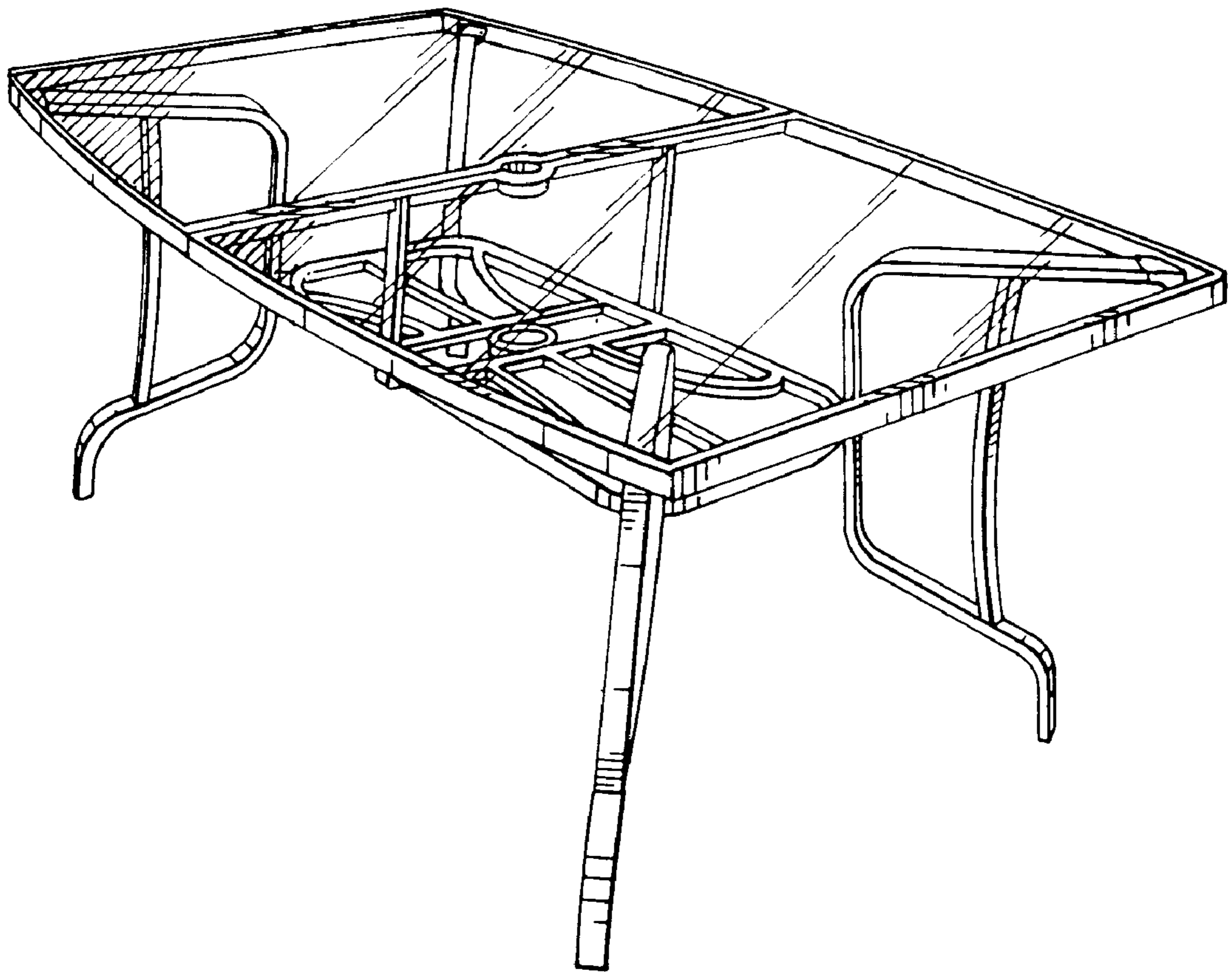


FIG. 2

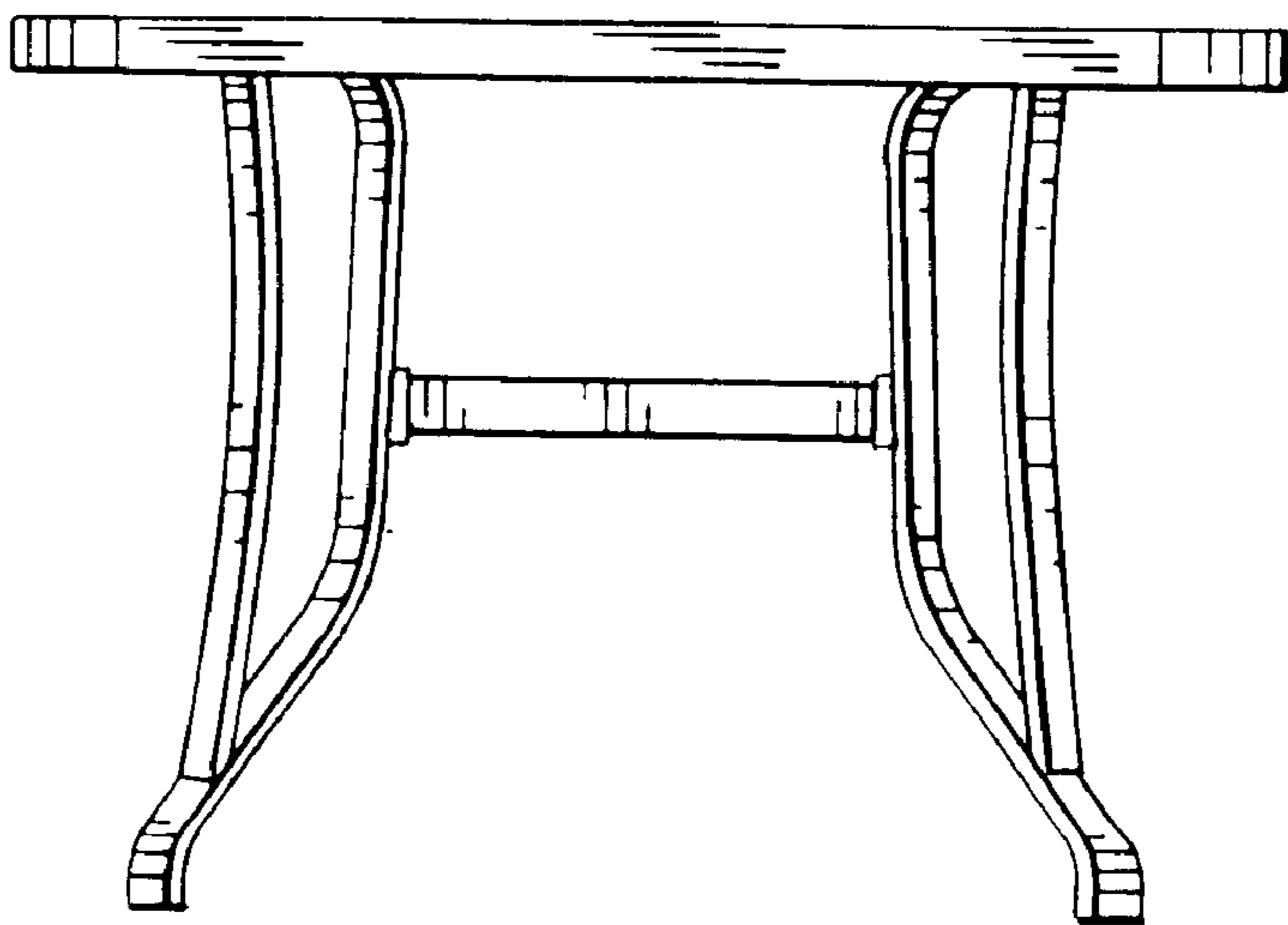


FIG. 3

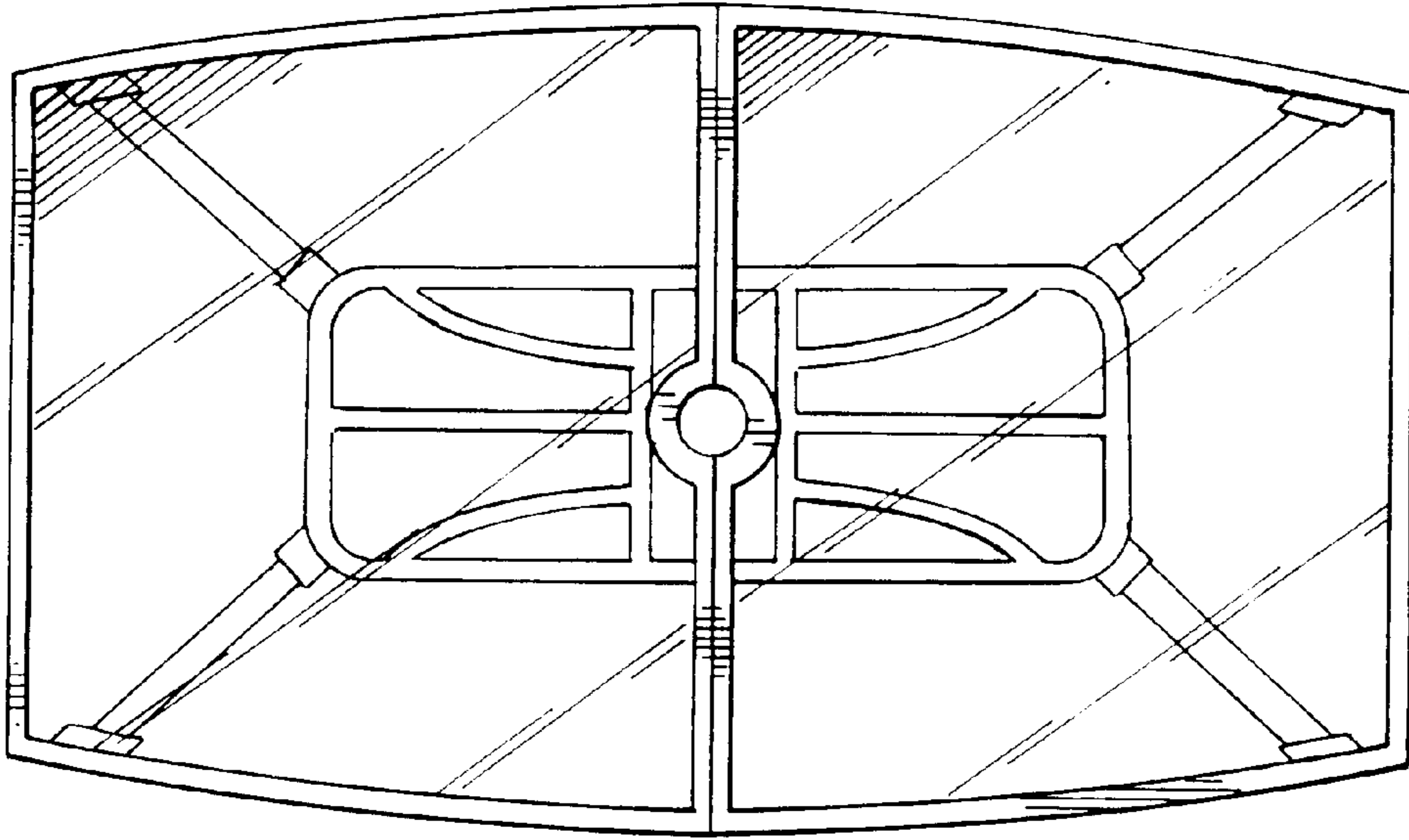


FIG. 4

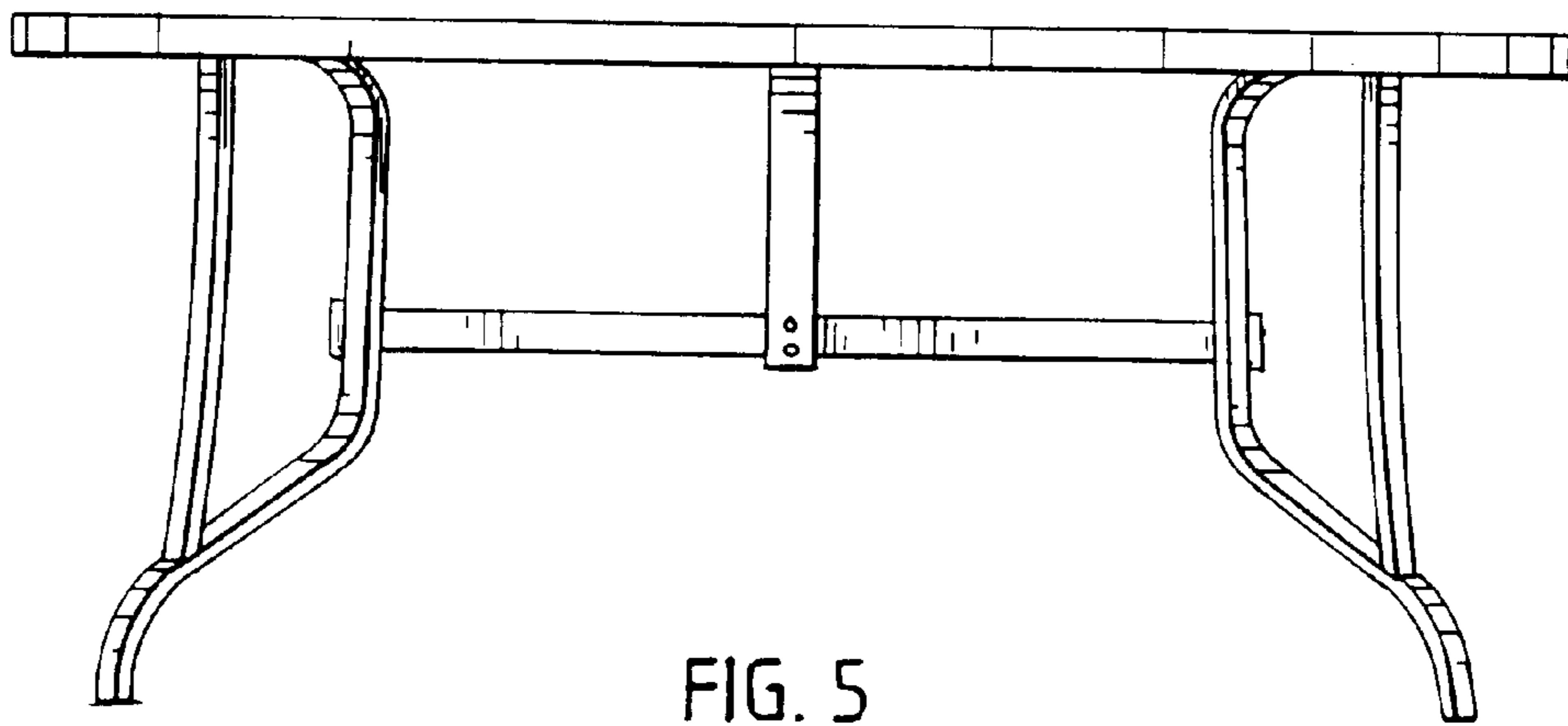


FIG. 5

