



US00D462845S

(12) **United States Design Patent**  
**Canto Garcia**

(10) **Patent No.:** **US D462,845 S**

(45) **Date of Patent:** **\*\* Sep. 17, 2002**

(54) **ARMCHAIR**

(75) **Inventor:** **Enrique Canto Garcia, Alicante (ES)**

(73) **Assignee:** **Eurokeyton, S.A., Alicante (ES)**

(\*\*) **Term:** **14 Years**

(21) **Appl. No.:** **29/125,991**

(22) **Filed:** **Jun. 30, 2000**

(30) **Foreign Application Priority Data**

Dec. 31, 1999 (ES) ..... 147260

(51) **LOC (7) Cl.** ..... **06-01**

(52) **U.S. Cl.** ..... **D6/335; D6/360**

(58) **Field of Search** ..... D6/334, 335, 360,  
D6/367, 371, 373, 500-502; 297/68, 83,  
423.1, 423.19, 423.2

(56) **References Cited**

**U.S. PATENT DOCUMENTS**

D166,815 S \* 2/1952 Maurer ..... D6/360

D173,625 S \* 12/1954 Maurer ..... D6/367

D173,706 S \* 12/1954 Maurer ..... D6/367

D179,074 S \* 10/1956 Glass ..... D6/367

D433,243 S \* 11/2000 Garcia ..... D6/360

\* cited by examiner

*Primary Examiner*—Doris V. Coles

*Assistant Examiner*—Mimosa De

(74) *Attorney, Agent, or Firm*—Hamman & Benn

(57) **CLAIM**

The ornamental design for an armchair, as shown and described.

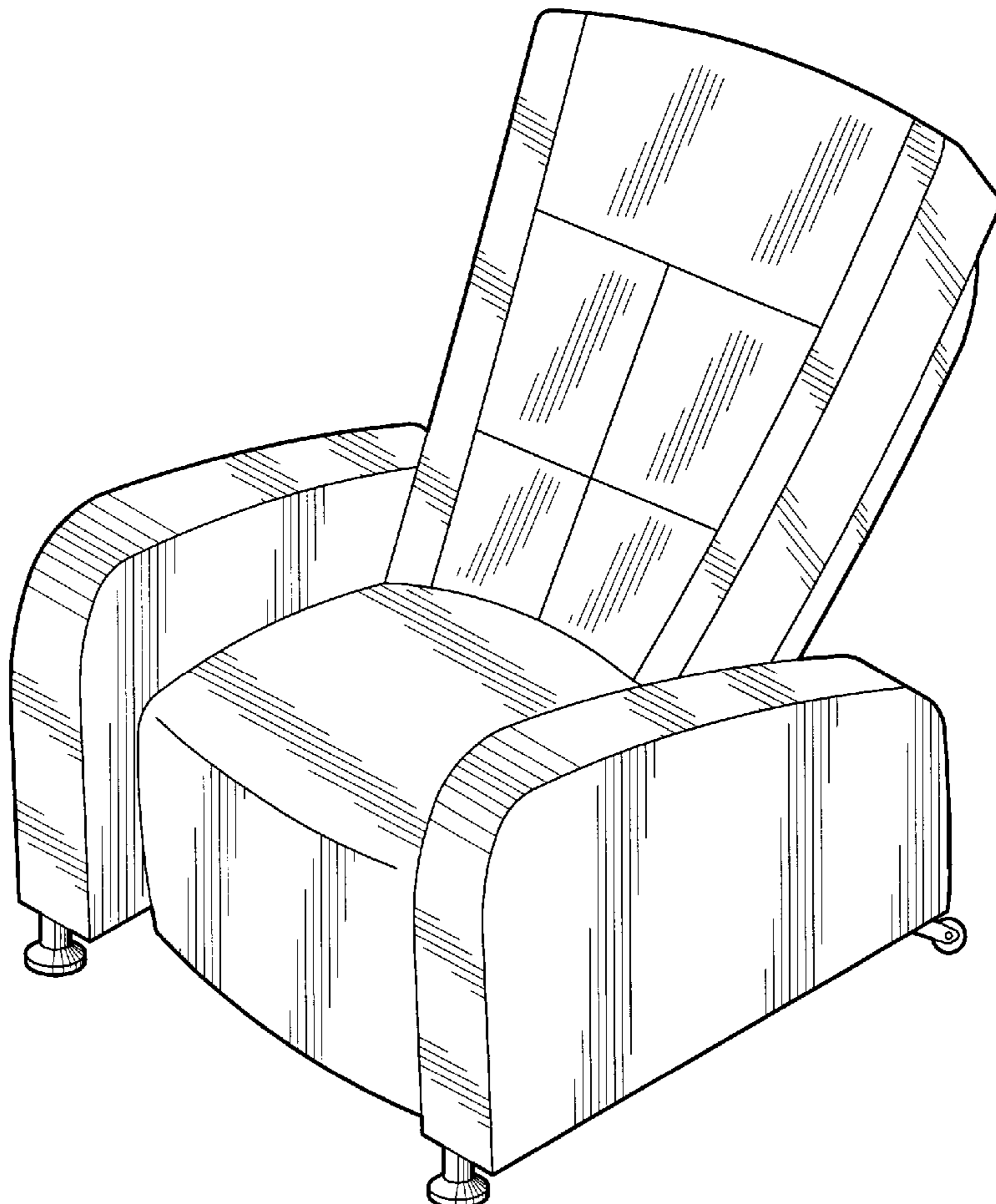
**DESCRIPTION**

FIG. 1 is a top and right front perspective view of an armchair showing my design;

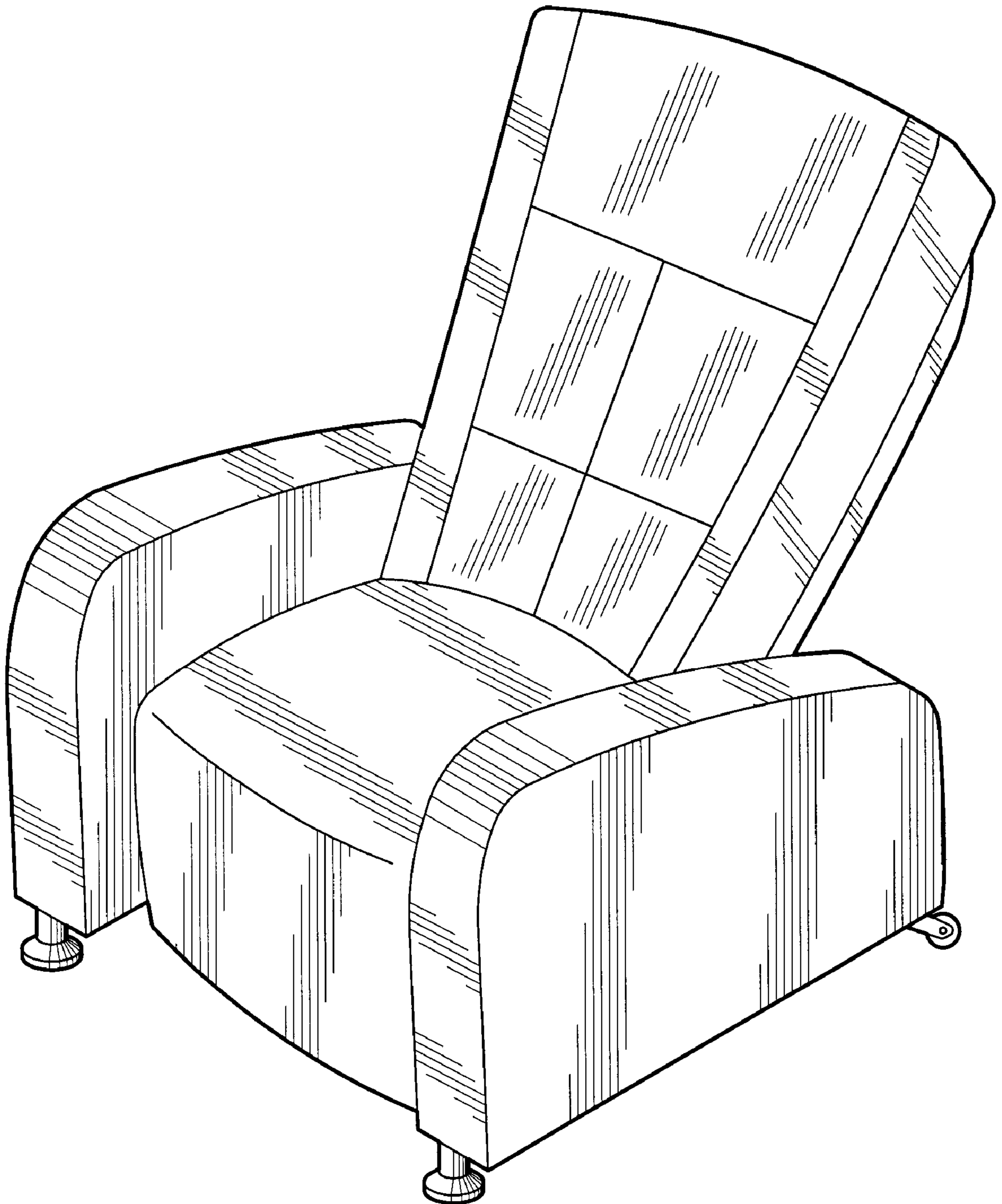
FIG. 2 is a right side elevational view thereof, the left side elevational view being a mirror image of the side view shown; and,

FIG. 3 is a right side elevational view thereof showing the armchair when in a reclining position, the left side view thereof being a mirror image of the side view shown.

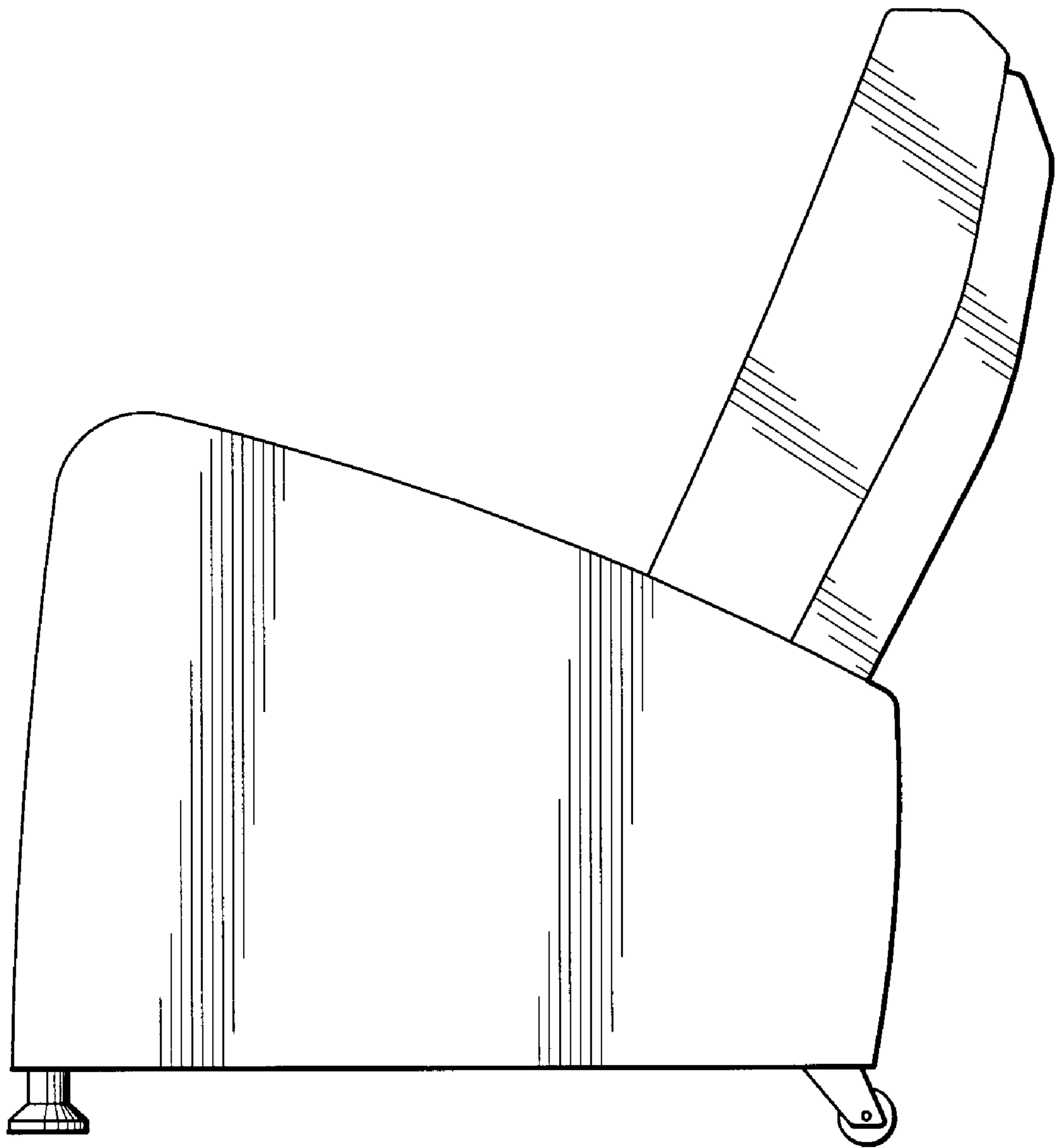
**1 Claim, 3 Drawing Sheets**



*FIG. 1*



*FIG. 2*



*FIG. 3*

