



US00D462844S

(12) **United States Design Patent**
Chou

(10) **Patent No.:** **US D462,844 S**

(45) **Date of Patent:** **** Sep. 17, 2002**

(54) **ROBE HOOK**

(75) Inventor: **Horng-Yih Chou, Nantou (TW)**

(73) Assignee: **Globe Union America Corporation,**
Bolingbrook, IL (US)

(**) Term: **14 Years**

(21) Appl. No.: **29/136,933**

(22) Filed: **Feb. 9, 2001**

(51) **LOC (7) Cl.** **06-08**

(52) **U.S. Cl.** **D6/323; D6/546; D8/373**

(58) **Field of Search** **D6/323, 550, 546,**
D6/548, 567, 569, 572, 320; D8/367, 372,
350, 352, 353; 248/304, 308; 211/106.01,
32

(56) **References Cited**

U.S. PATENT DOCUMENTS

D145,933 S	*	11/1946	Gerity, Jr.	D6/323
D247,146 S	*	2/1978	Watt, Jr.	D6/323
D301,407 S	*	6/1989	Boeri	D6/320
D318,590 S	*	7/1991	McKeone	D8/373
D361,006 S		8/1995	Sharpe	
D377,570 S		1/1997	Sharpe	
D390,393 S		2/1998	Sharpe	
D391,105 S		2/1998	Sharpe	
D392,138 S		3/1998	Wu	

D392,139 S		3/1998	Wu	
D393,166 S		4/1998	Sharpe	
D394,971 S		6/1998	Moore	
D395,371 S		6/1998	Sharpe	
D398,451 S		9/1998	Sharpe	
D406,484 S		3/1999	Wu	
D409,029 S		5/1999	Harris	
D409,398 S	*	5/1999	Sweetmen	D6/323
D417,112 S	*	11/1999	Chen	D6/546
D421,895 S		3/2000	Snell	
D429,998 S		8/2000	Snell	

* cited by examiner

Primary Examiner—B. J. Bullock

(74) *Attorney, Agent, or Firm*—Brinks Hofer Gilson & Lione

(57) **CLAIM**

The ornamental design for a robe hook, as shown and described.

DESCRIPTION

FIG. 1 is a perspective view showing our new design.
FIG. 2 is a front view thereof.
FIG. 3 is a top view thereof.
FIG. 4 is a back view thereof.
FIG. 5 is a side view thereof; and,
FIG. 6 is a bottom view thereof.

1 Claim, 1 Drawing Sheet

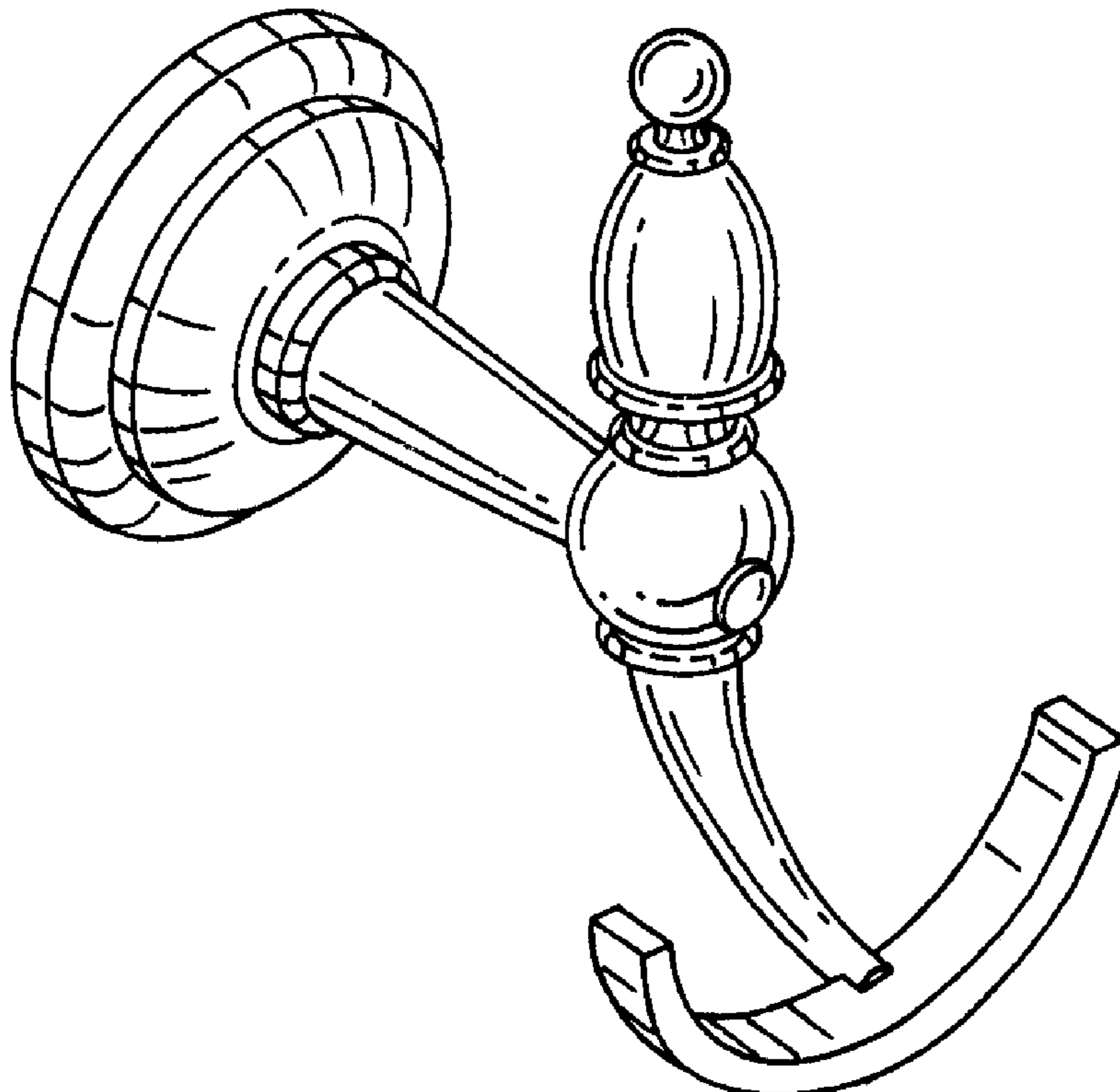


FIG. 1

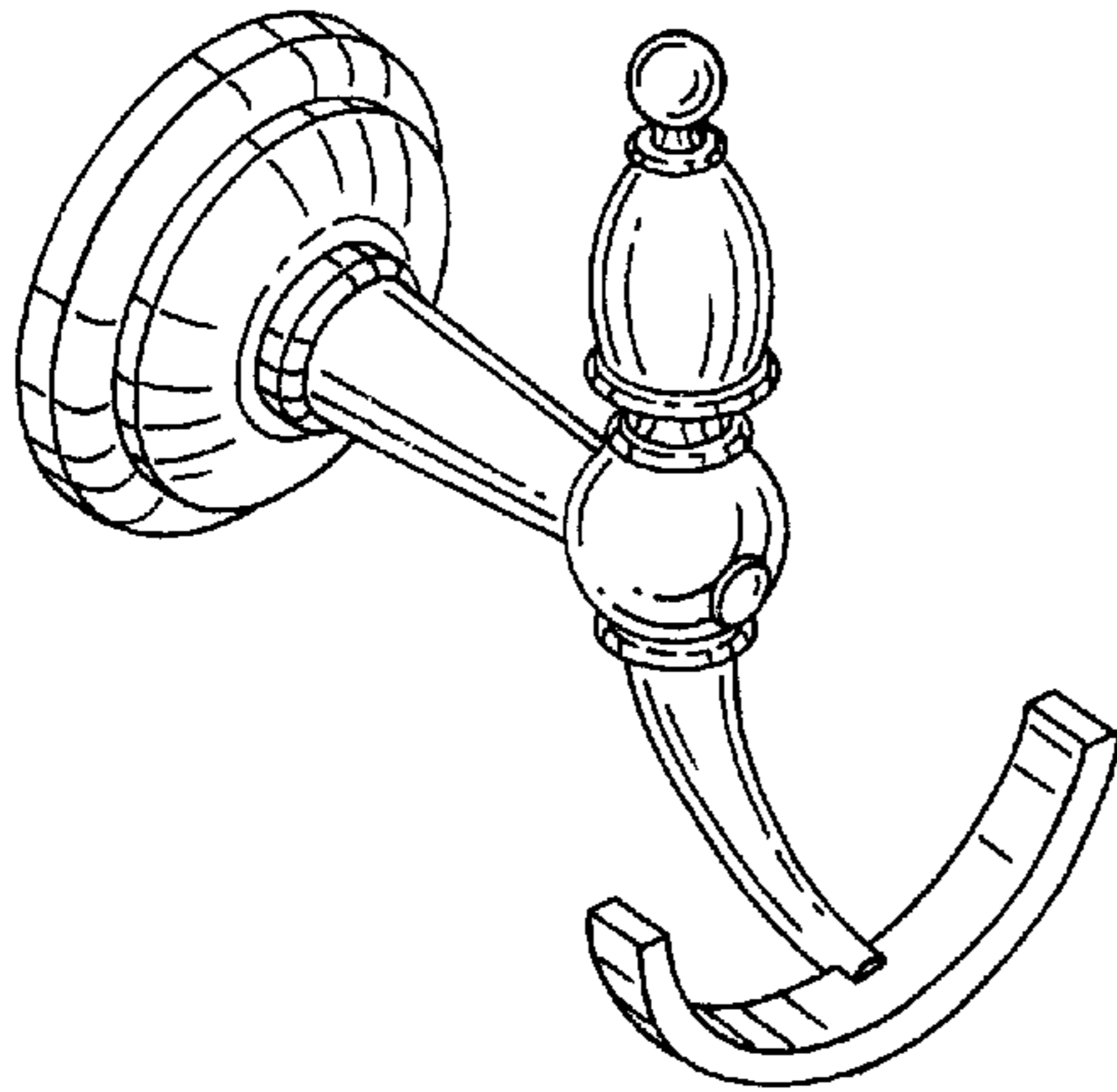


FIG. 2

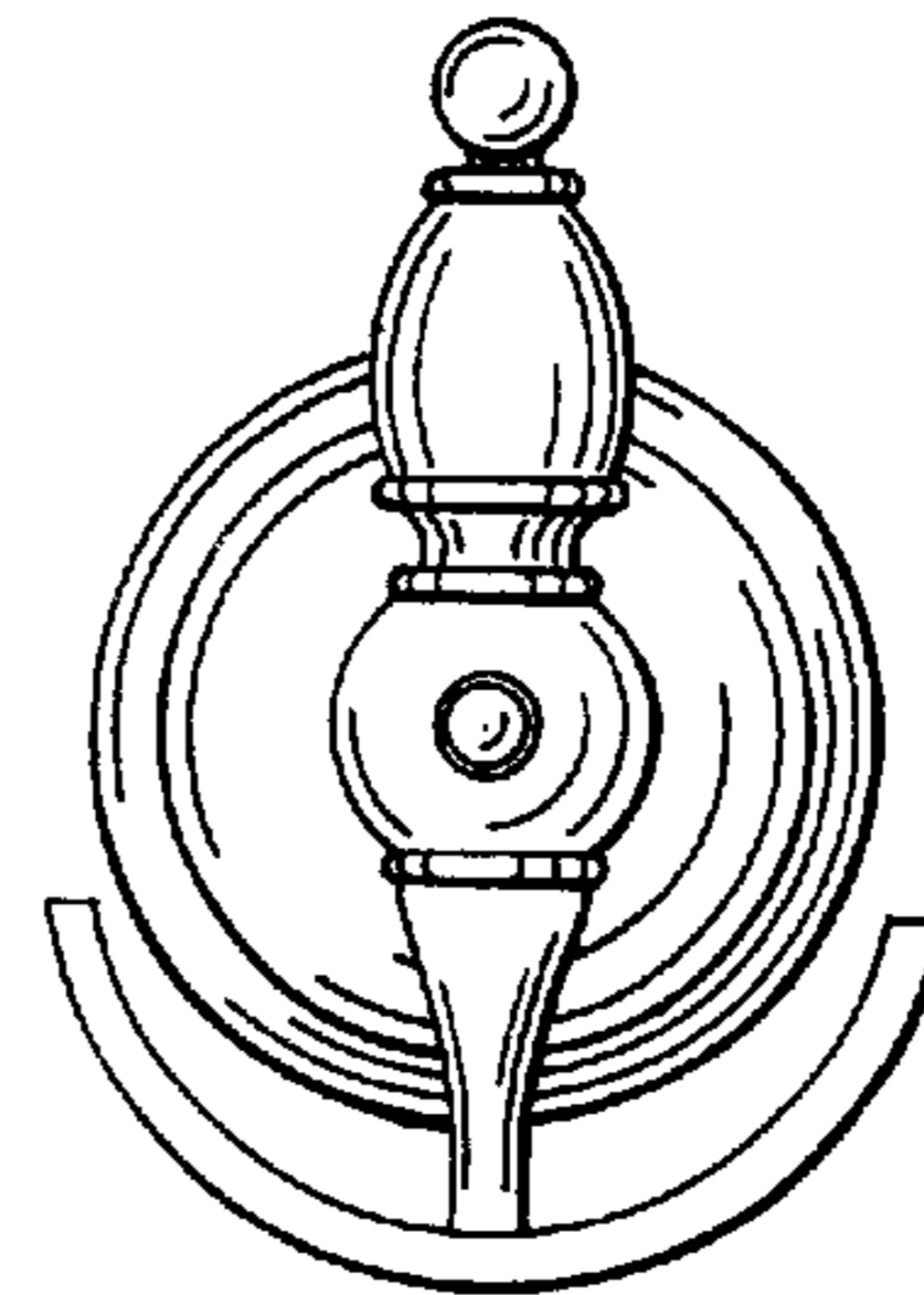


FIG. 3

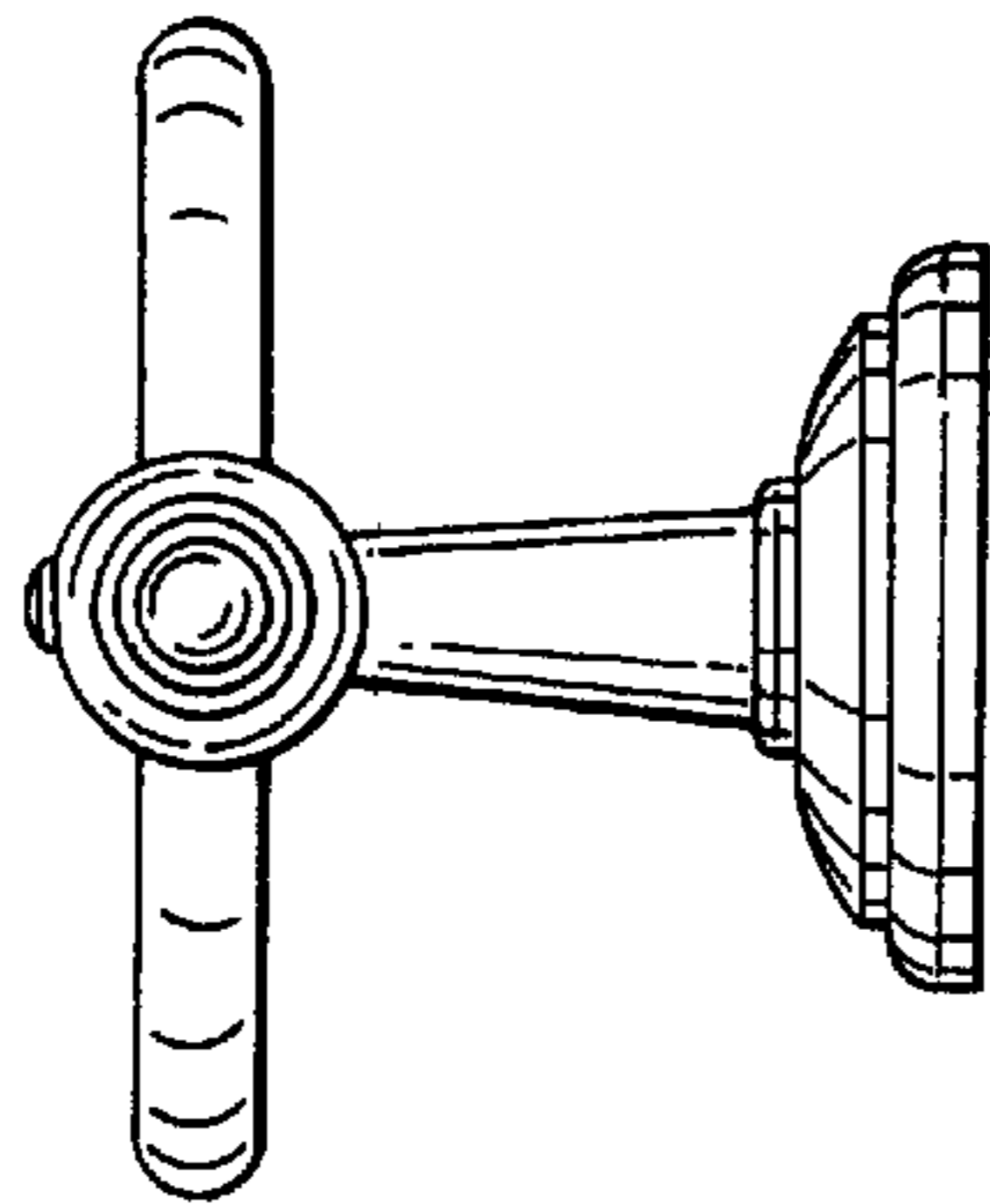


FIG. 4

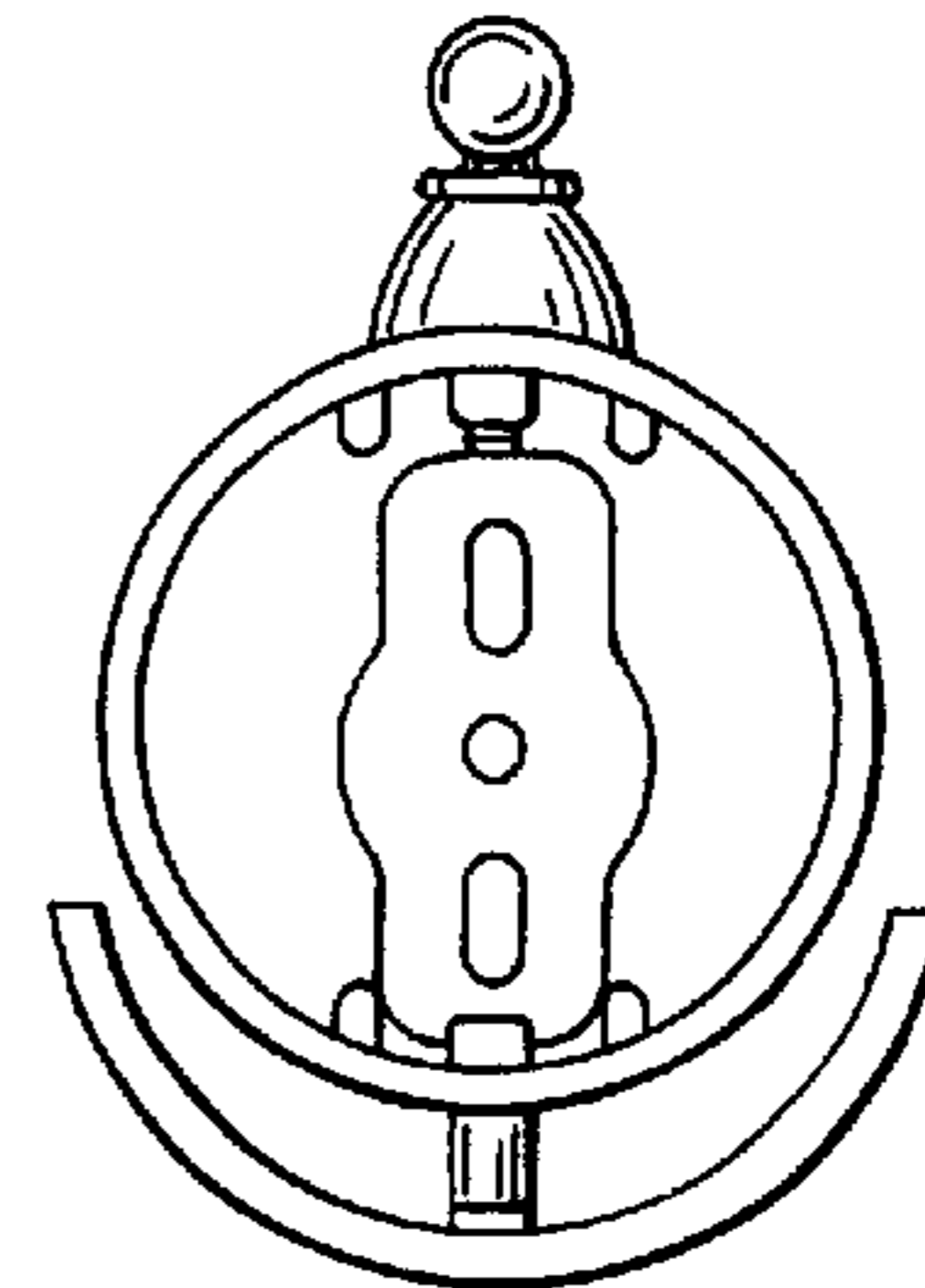


FIG. 5

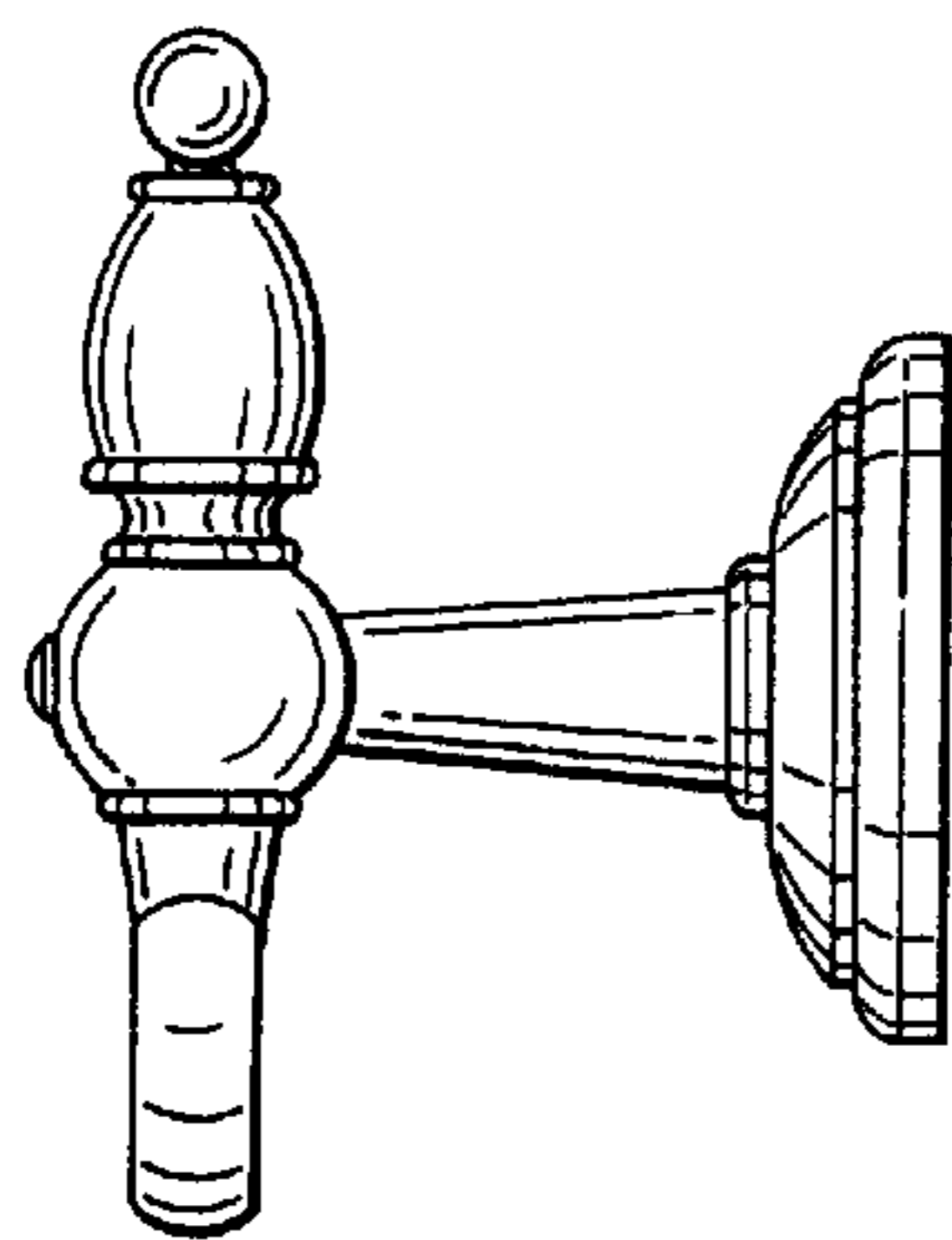


FIG. 6

