



US00D462843S

(12) **United States Design Patent**
Chan

(10) **Patent No.:** **US D462,843 S**

(45) **Date of Patent:** **** Sep. 17, 2002**

(54) **MIRROR**

(75) Inventor: **Sik-Leung Chan, Tsuen Wan (CN)**

(73) Assignee: **C. C. & L Company Limited, Hong Kong (CN)**

(**) Term: **14 Years**

(21) Appl. No.: **29/151,728**

(22) Filed: **Dec. 7, 2001**

(30) **Foreign Application Priority Data**

Aug. 8, 2001 (HK) 0111159

(51) **LOC (7) Cl.** **06-07**

(52) **U.S. Cl.** **D6/310**

(58) **Field of Search** D6/300, 308, 310-311,
D6/314; 309/830; 40/700, 721, 737, 748,
750, 753-4

(56) **References Cited**

U.S. PATENT DOCUMENTS

D278,865 S * 5/1985 McCaffrey D6/311
D304,884 S * 12/1989 Ackeret D6/311

D309,679 S * 8/1990 Ackeret D6/311
D321,361 S * 11/1991 Iino D16/235
D425,314 S * 5/2000 Au-Yeung D6/310
D426,962 S * 6/2000 Au-Yeung D6/310
D435,352 S * 12/2000 Chan D6/308
D435,353 S * 12/2000 Chan D6/308

* cited by examiner

Primary Examiner—Nelson C. Holtje

(74) *Attorney, Agent, or Firm*—Alix, Yale & Ristas, LLP

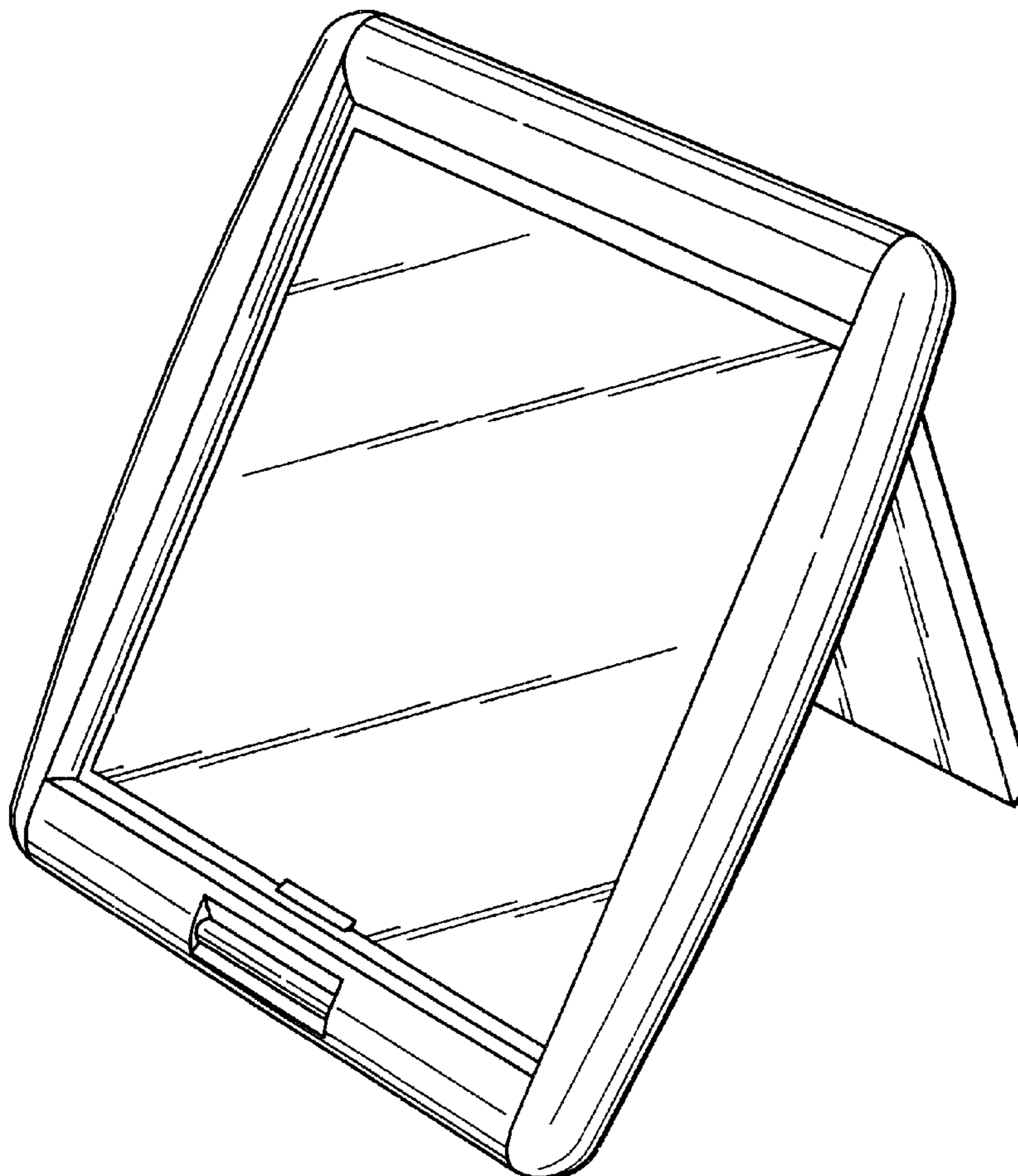
(57) **CLAIM**

The ornamental design for a mirror, as shown and described.

DESCRIPTION

FIG. 1 is a perspective view of a mirror;
FIG. 2 is a perspective view in opened position thereof;
FIG. 3 is a front elevational view thereof;
FIG. 4 is a left side elevational view thereof;
FIG. 5 is a top plan view thereof; and
FIG. 6 is a rear elevational view thereof;
FIG. 7 is a right side elevational view thereof; and,
FIG. 8 is a bottom plan view thereof.

1 Claim, 3 Drawing Sheets



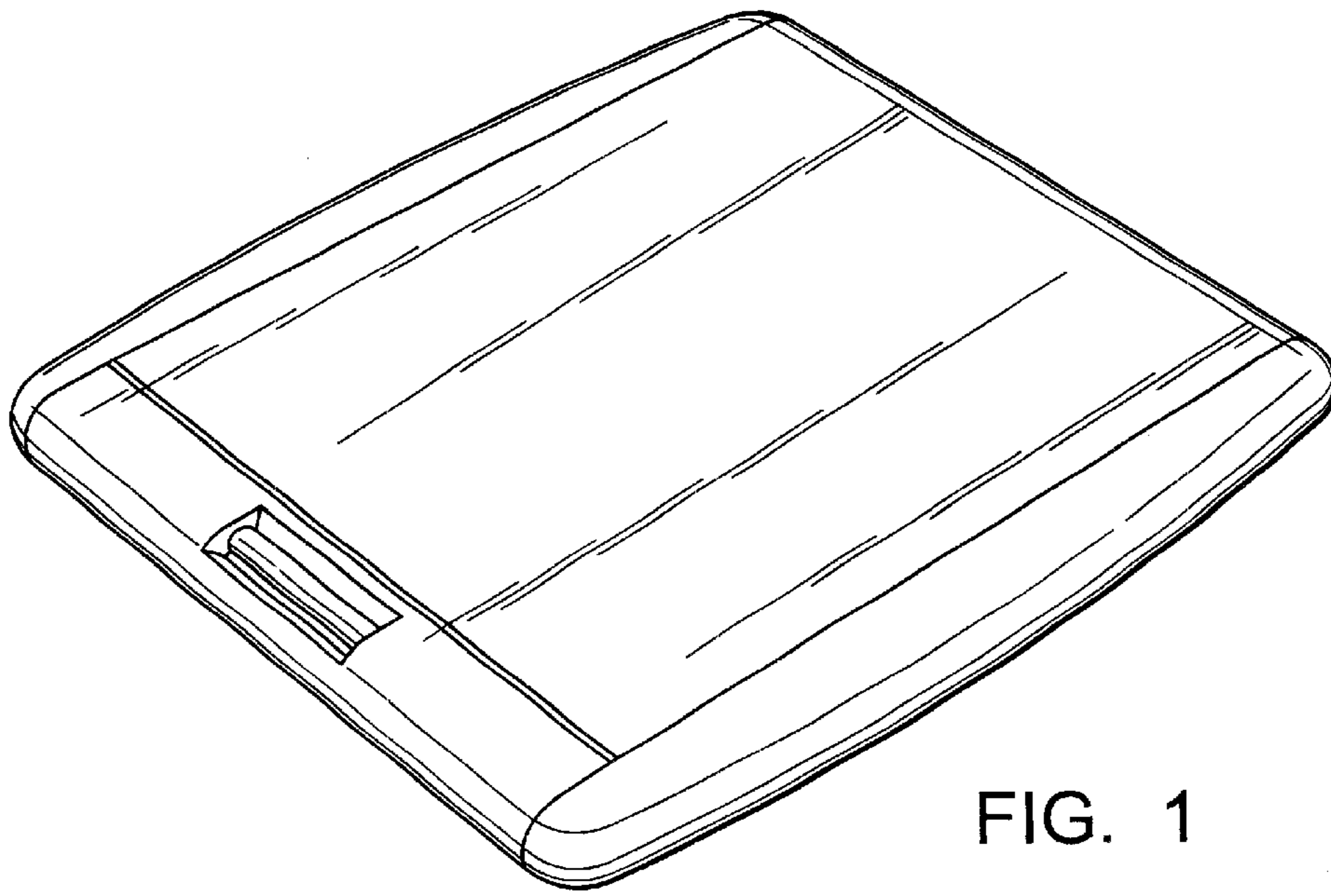


FIG. 1

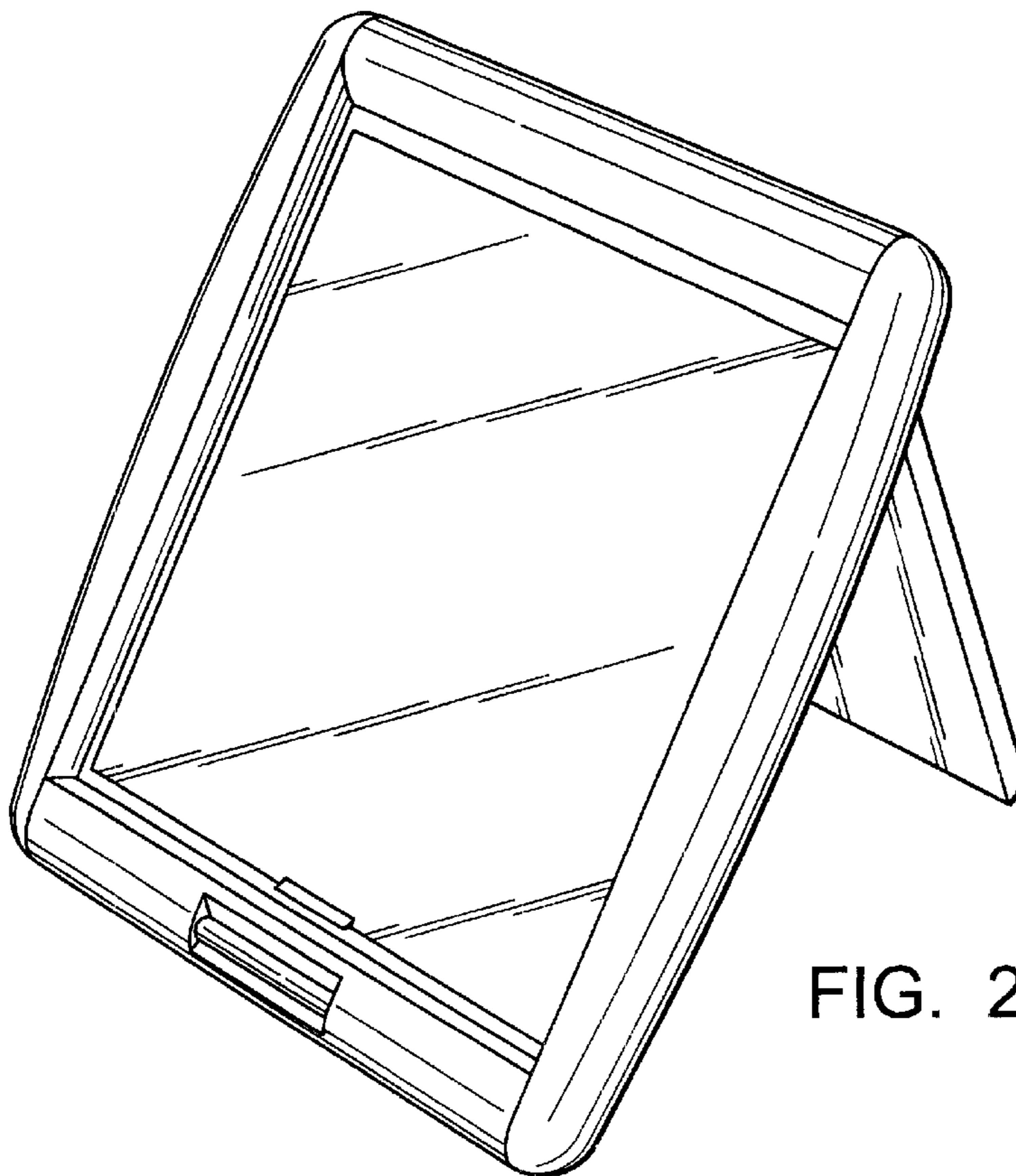


FIG. 2

FIG. 5

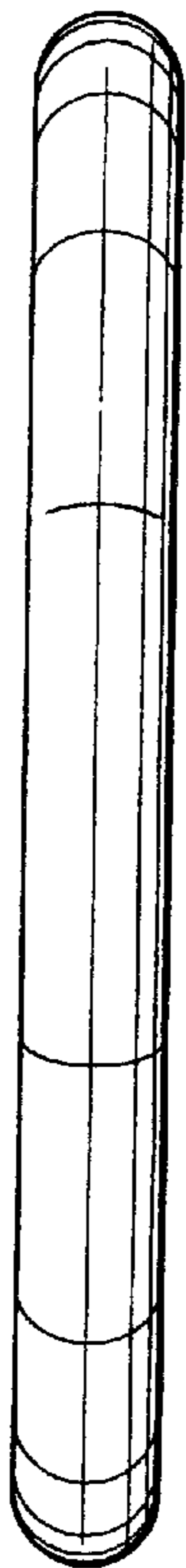
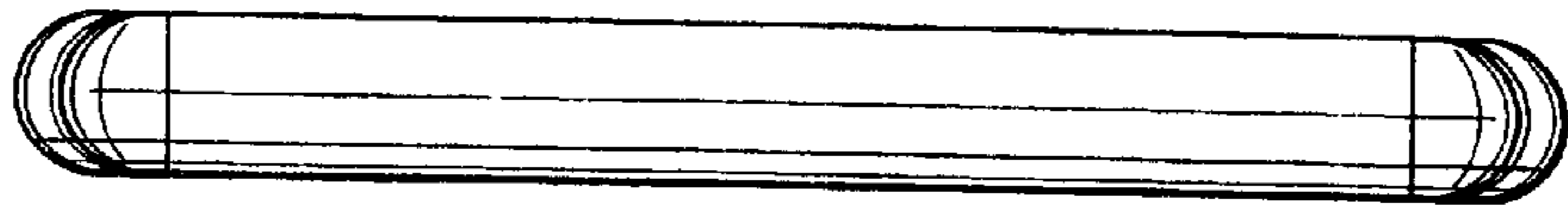


FIG. 4

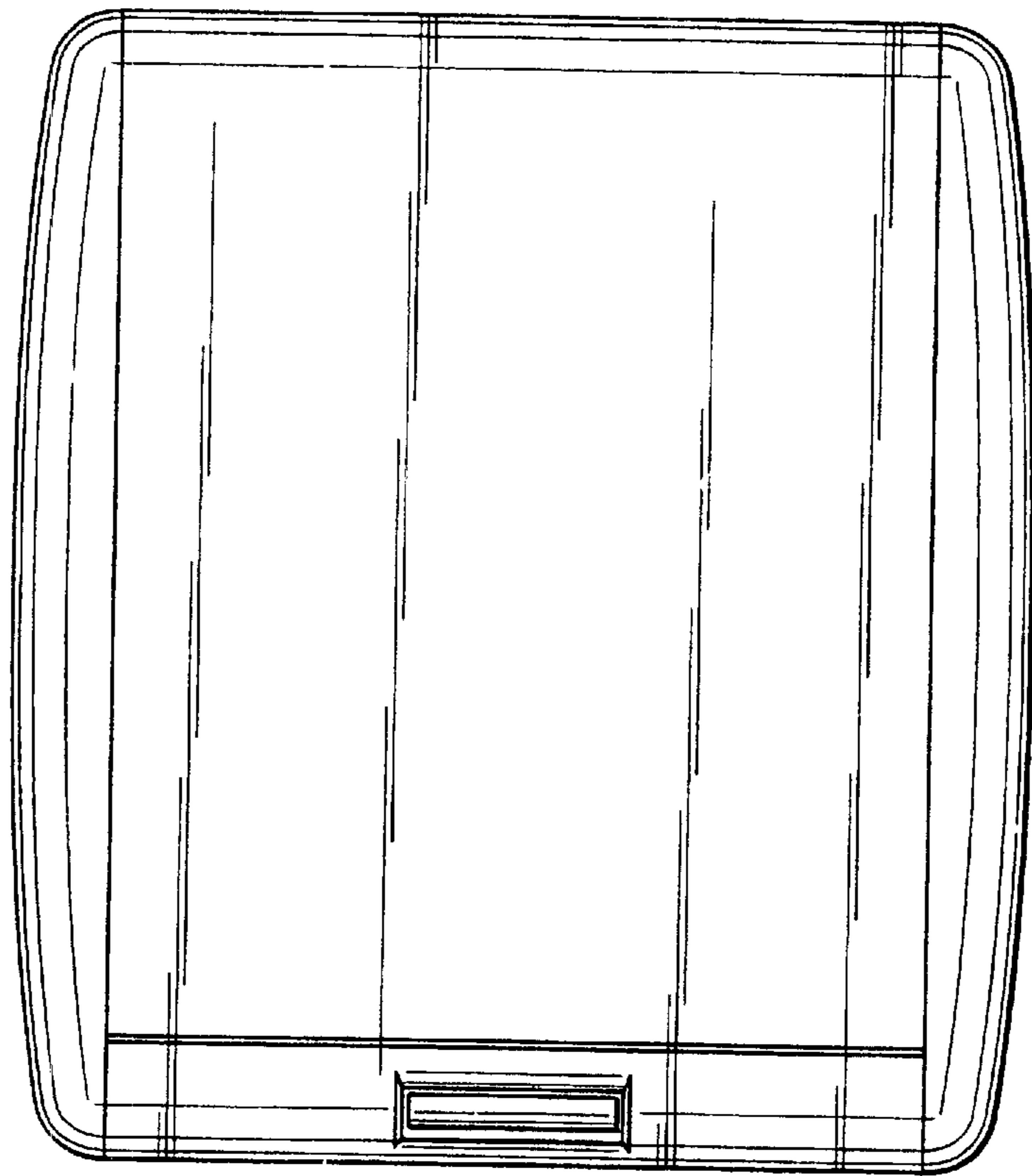


FIG. 3

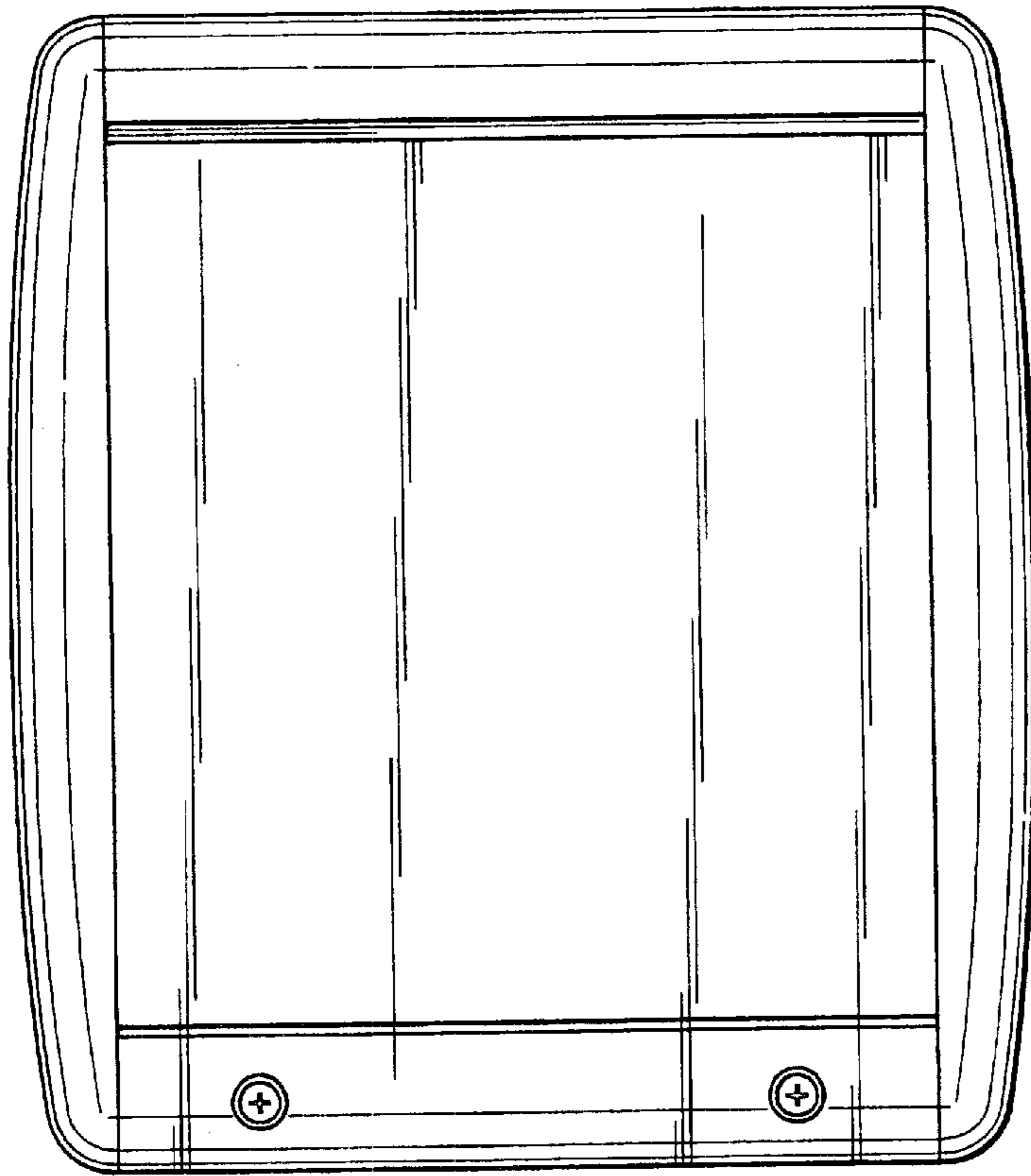


FIG. 6

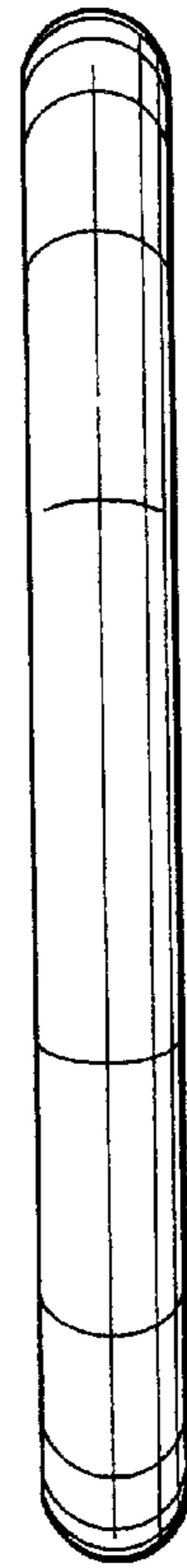


FIG. 7

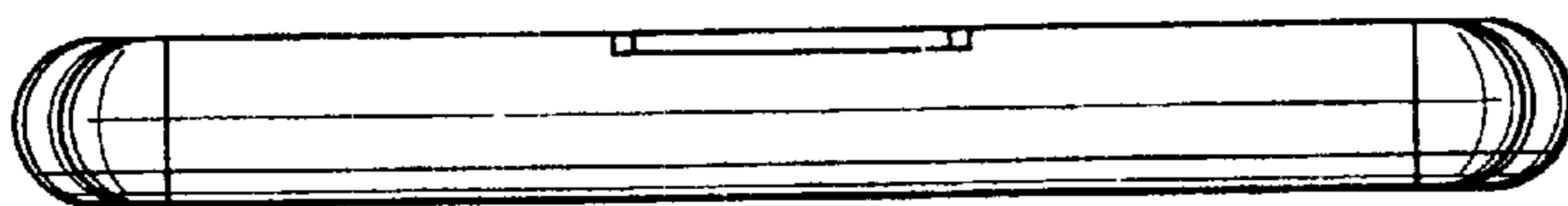


FIG. 8