



US00D462840S

(12) **United States Design Patent**  
**Chan**

(10) **Patent No.:** **US D462,840 S**

(45) **Date of Patent:** **\*\* Sep. 17, 2002**

(54) **PHOTO FRAME**

(75) Inventor: **Raymond Chan**, Hong Kong (HK)

(73) Assignee: **IDT-LCD Holdings (BV) Limited**,  
Tortola (VG)

(\*\*) Term: **14 Years**

(21) Appl. No.: **29/145,787**

(22) Filed: **Jul. 31, 2001**

(51) **LOC (7) Cl.** ..... **06-07**

(52) **U.S. Cl.** ..... **D6/300**

(58) **Field of Search** ..... D6/300, 308, 316-311;  
40/714, 716, 721-724, 734; 359/838; D20/10,  
42, 43

(56) **References Cited**

**U.S. PATENT DOCUMENTS**

D304,348 S	*	10/1989	Dunn	.....	D20/10
D307,079 S	*	4/1990	Robertson	.....	D6/302
D341,721 S	*	11/1993	Wenkman et al.	.....	D6/300
D375,098 S	*	10/1996	Moallemi et al.	.....	D14/168
D398,657 S	*	9/1998	Palmer et al.	.....	D20/42
D429,994 S	*	8/2000	Ziegler	.....	D8/353

\* cited by examiner

*Primary Examiner*—Nelson C. Holtje

(74) *Attorney, Agent, or Firm*—Leydig Voit & Mayer, Ltd

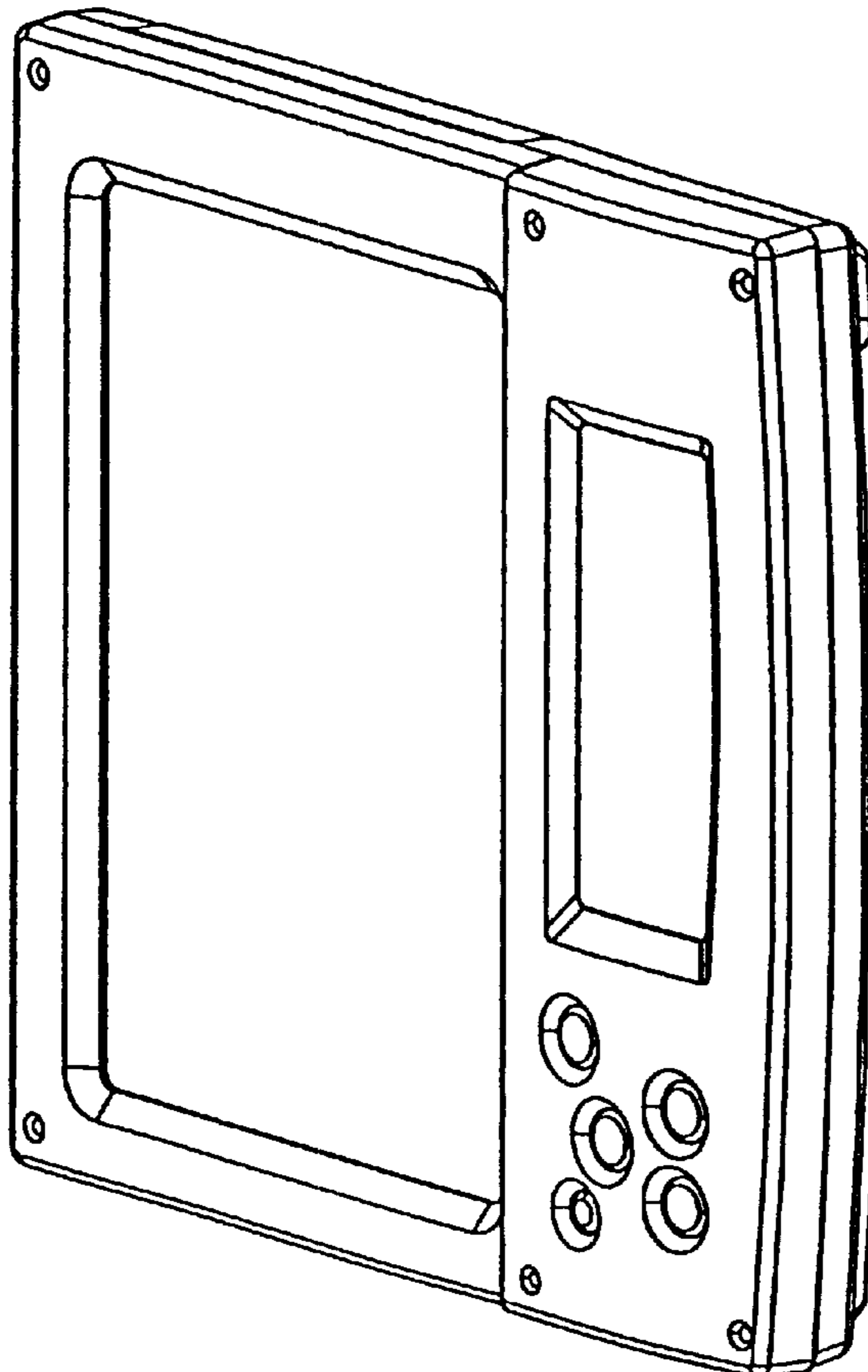
(57) **CLAIM**

The ornamental design for a photo frame, as shown and described.

**DESCRIPTION**

FIG. 1 is a front, right side and top perspective view of a photo frame showing my new design;  
 FIG. 2 is a front elevational view thereof;  
 FIG. 3 is a rear elevational view thereof;  
 FIG. 4 is a right side elevational view thereof;  
 FIG. 5 is a left side elevational view thereof;  
 FIG. 6 is a top plan view thereof;  
 FIG. 7 is a bottom plan view thereof;  
 FIG. 8 is a front, right side and top perspective view thereof, with a front panel thereof separated;  
 FIG. 9 is a rear, left side and top perspective view thereof, with a photo holder thereof being released;  
 FIG. 10 is a front, left side and top perspective view of the photo holder, shown lying horizontally; and,  
 FIG. 11 is a front, left side and top perspective view of the photo holder, shown in an open condition.

**1 Claim, 5 Drawing Sheets**



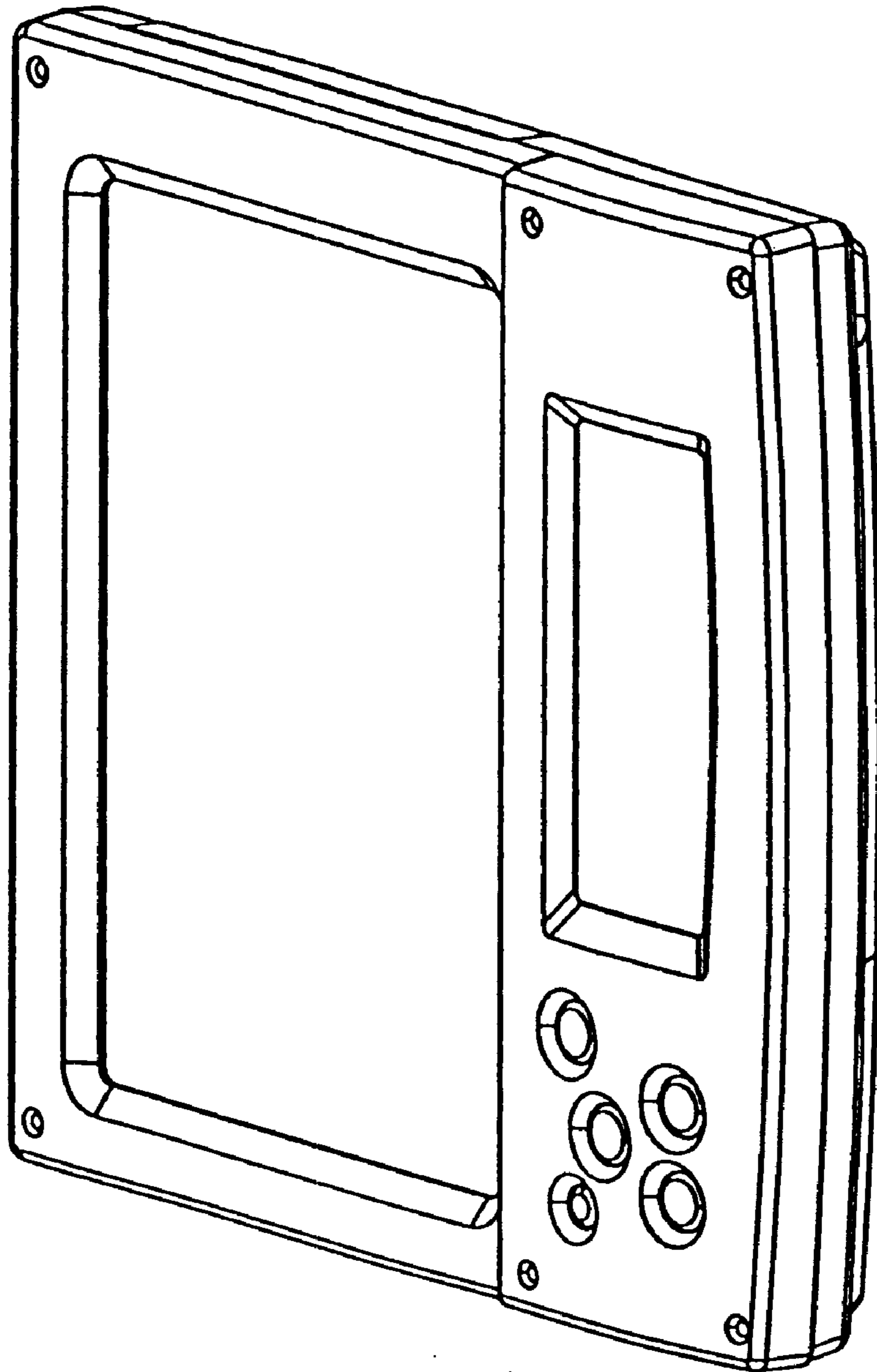


FIG. 1

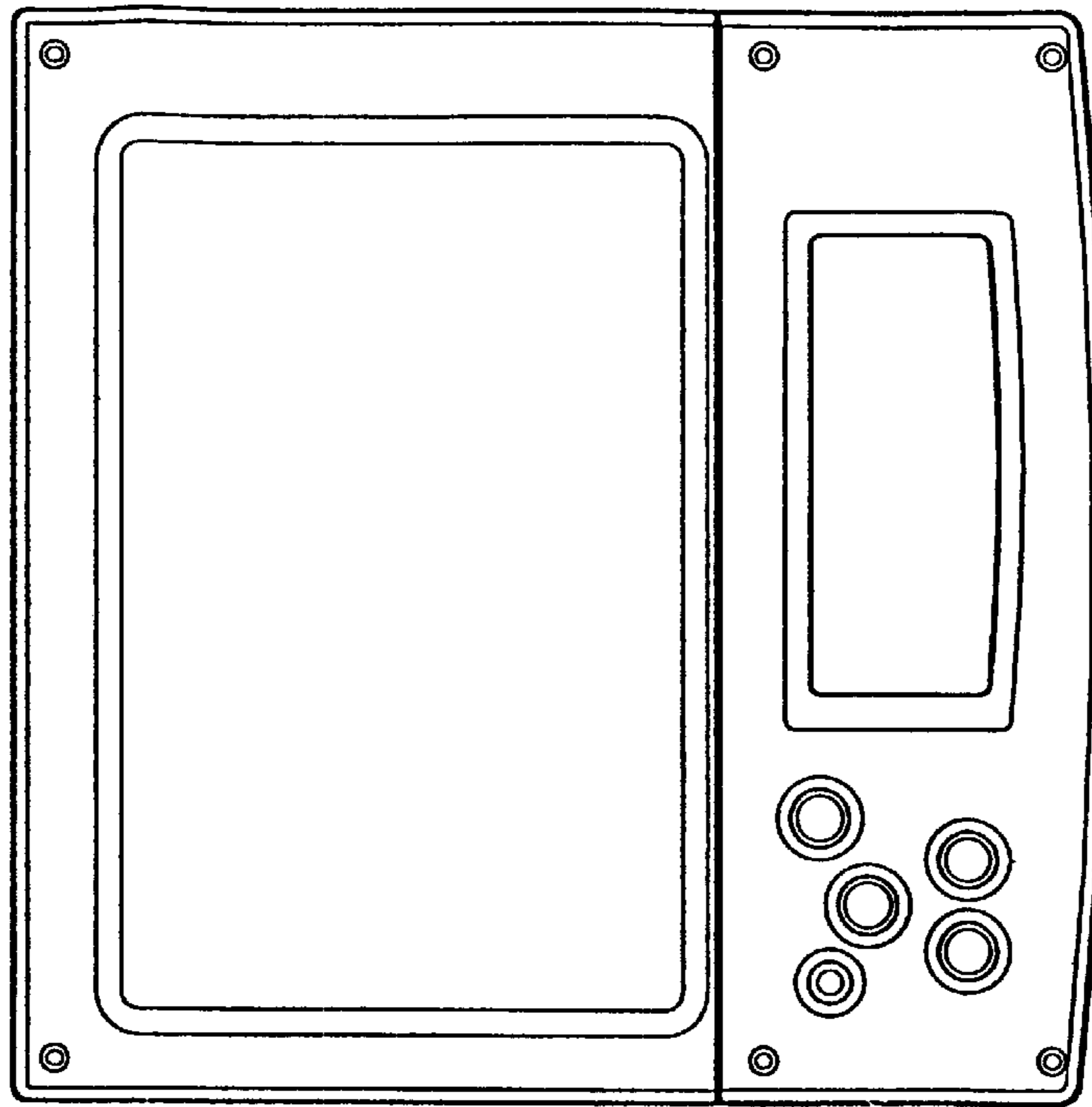


FIG. 2

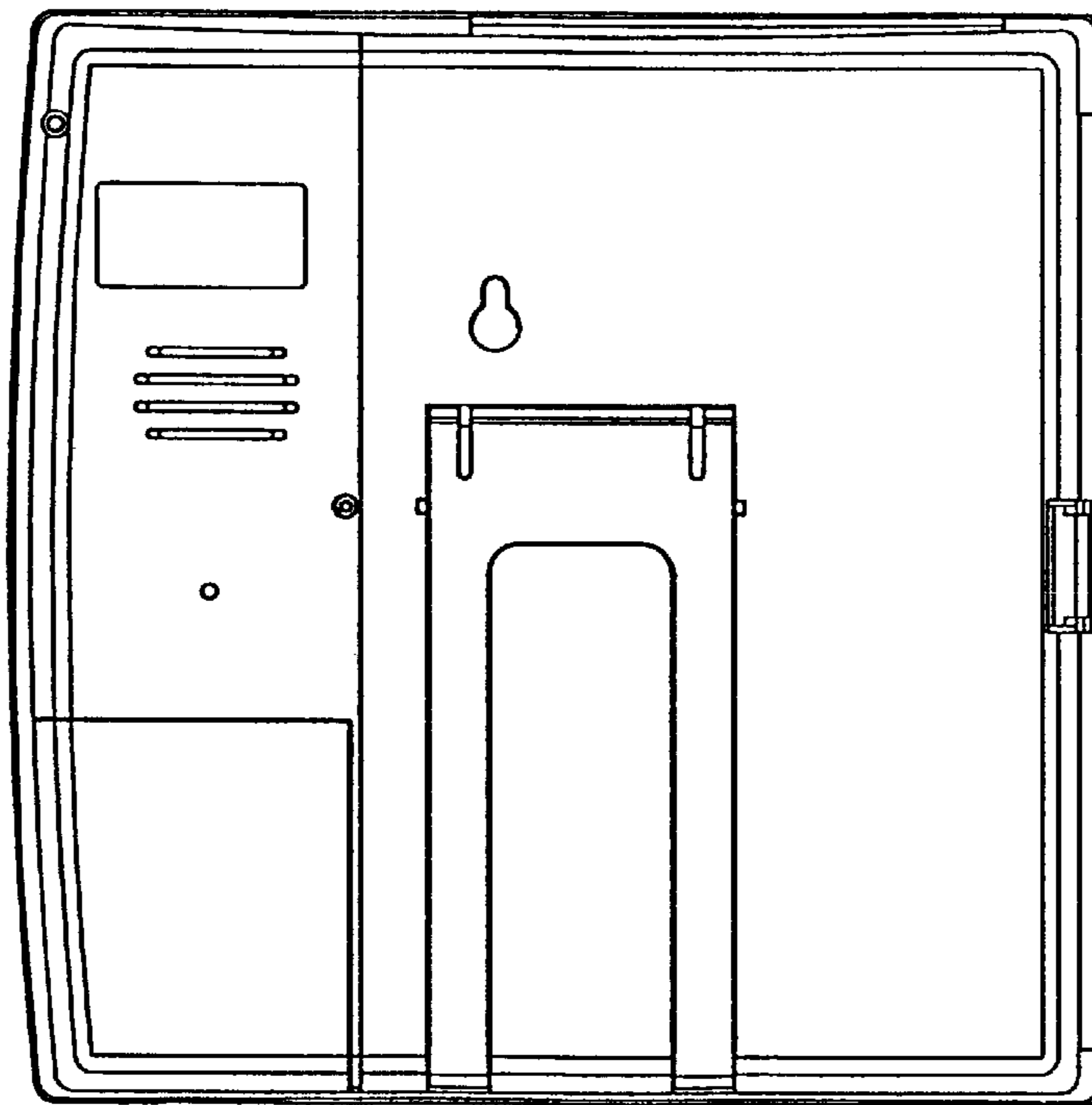


FIG. 3



FIG. 4



FIG. 5

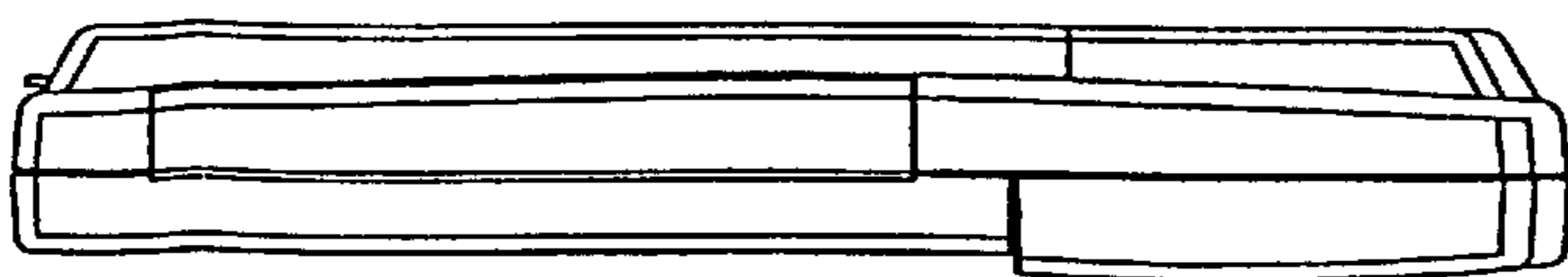


FIG. 6

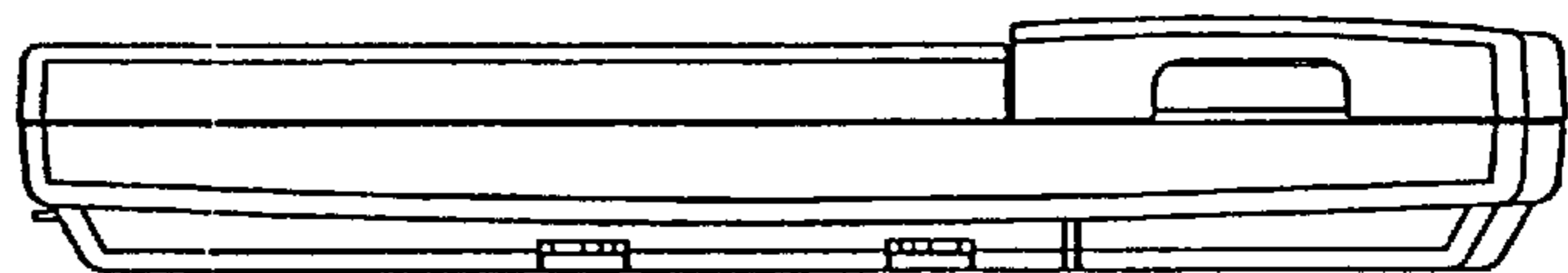


FIG. 7

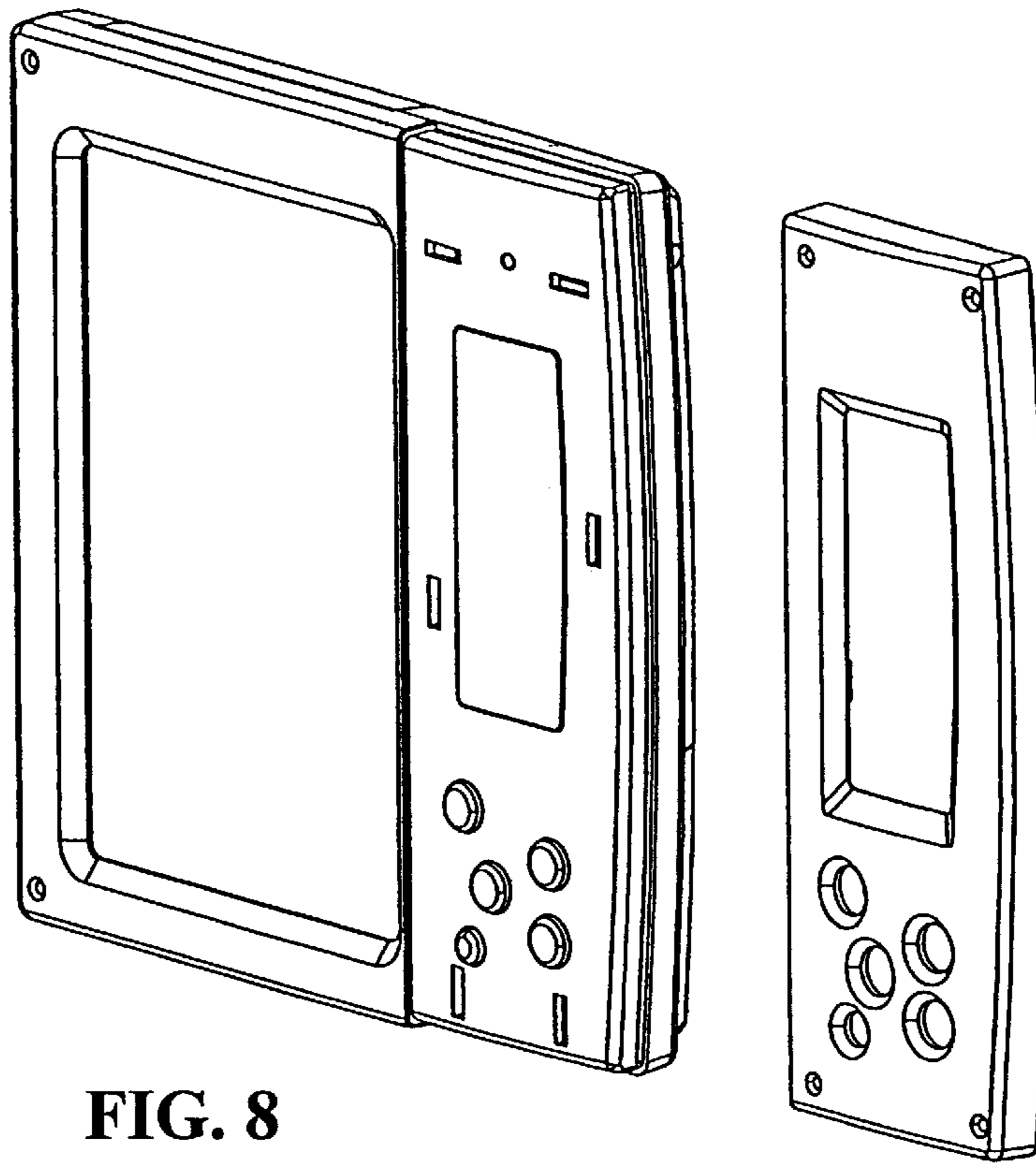


FIG. 8

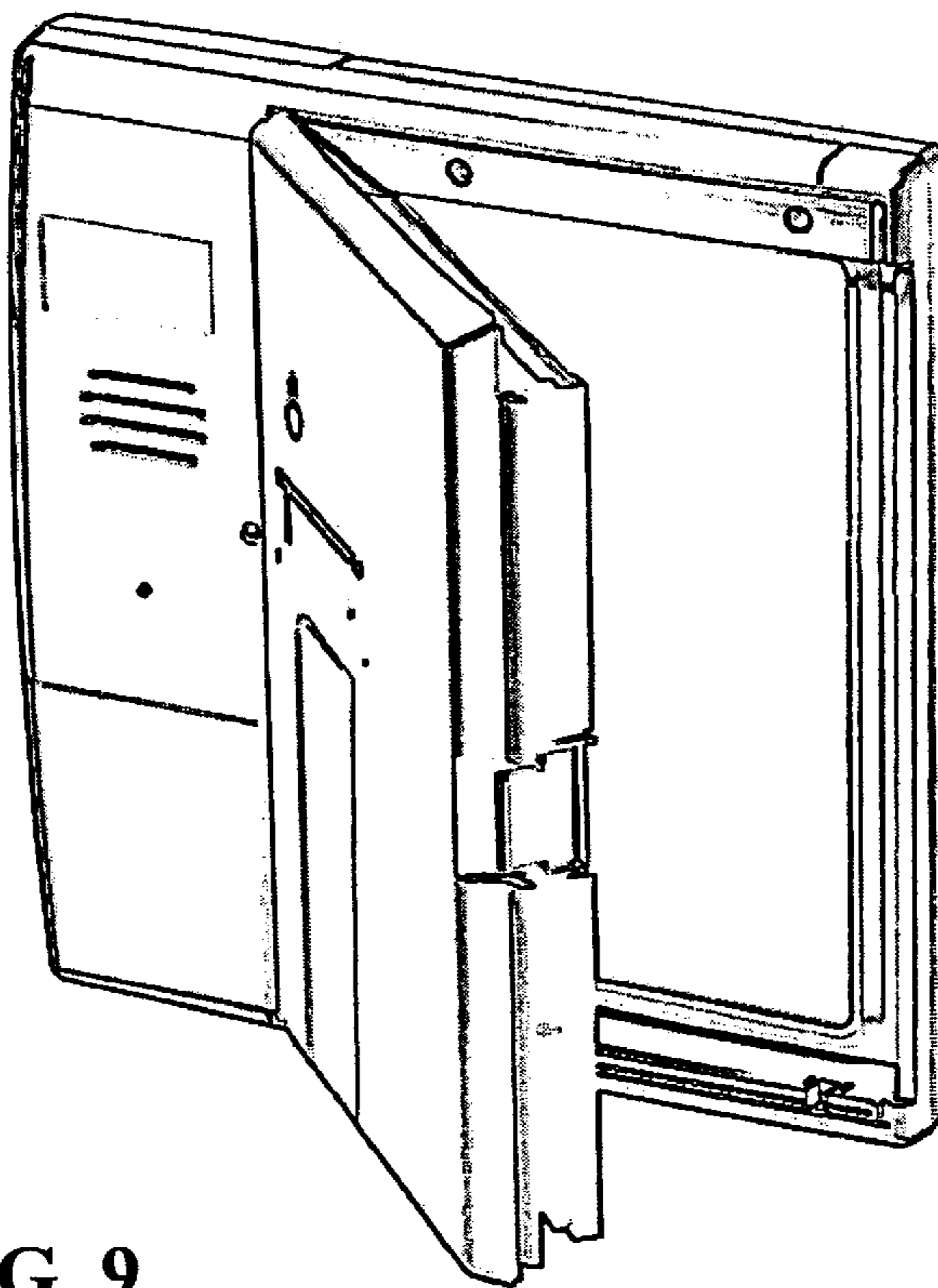


FIG. 9



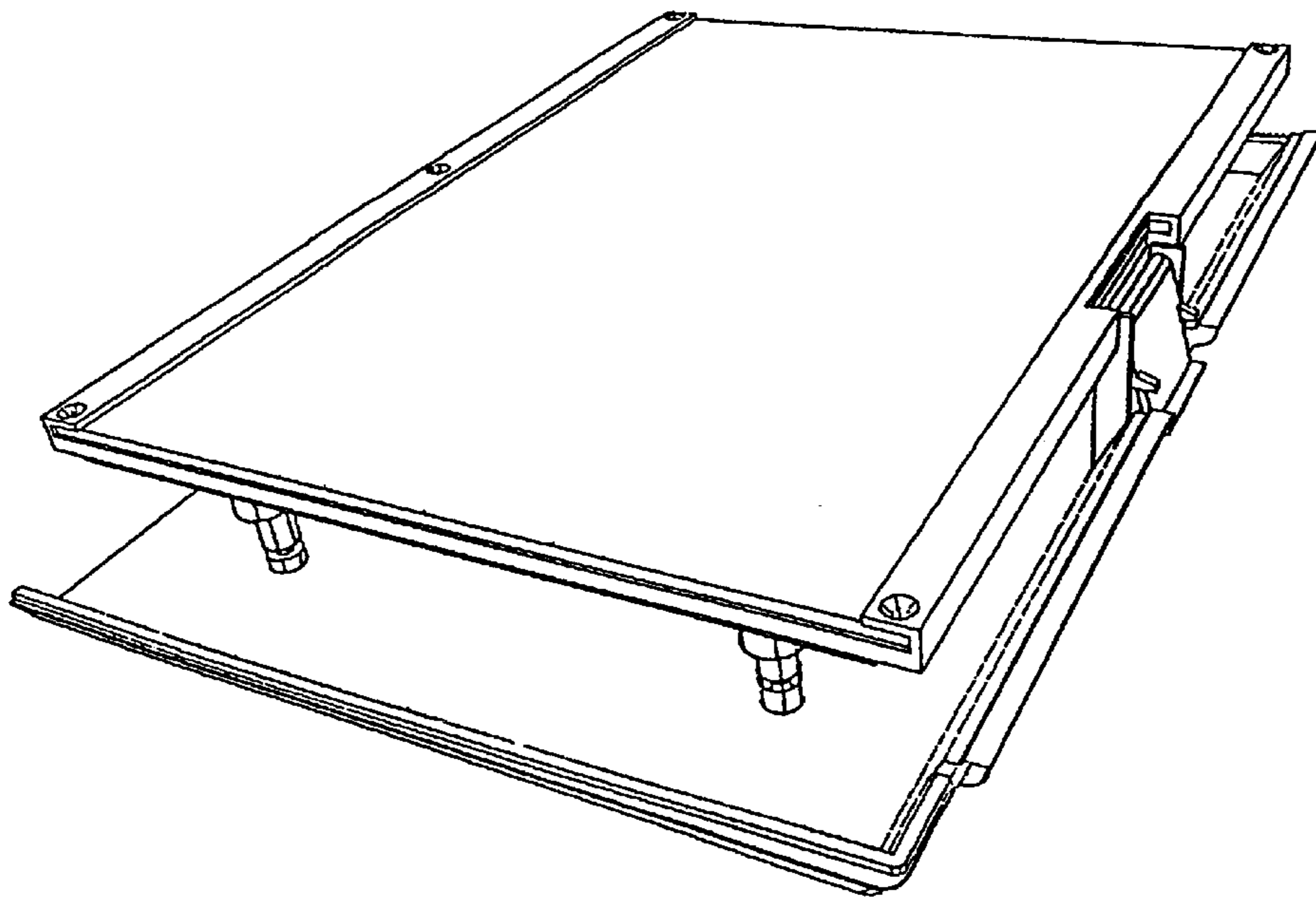


FIG. 10

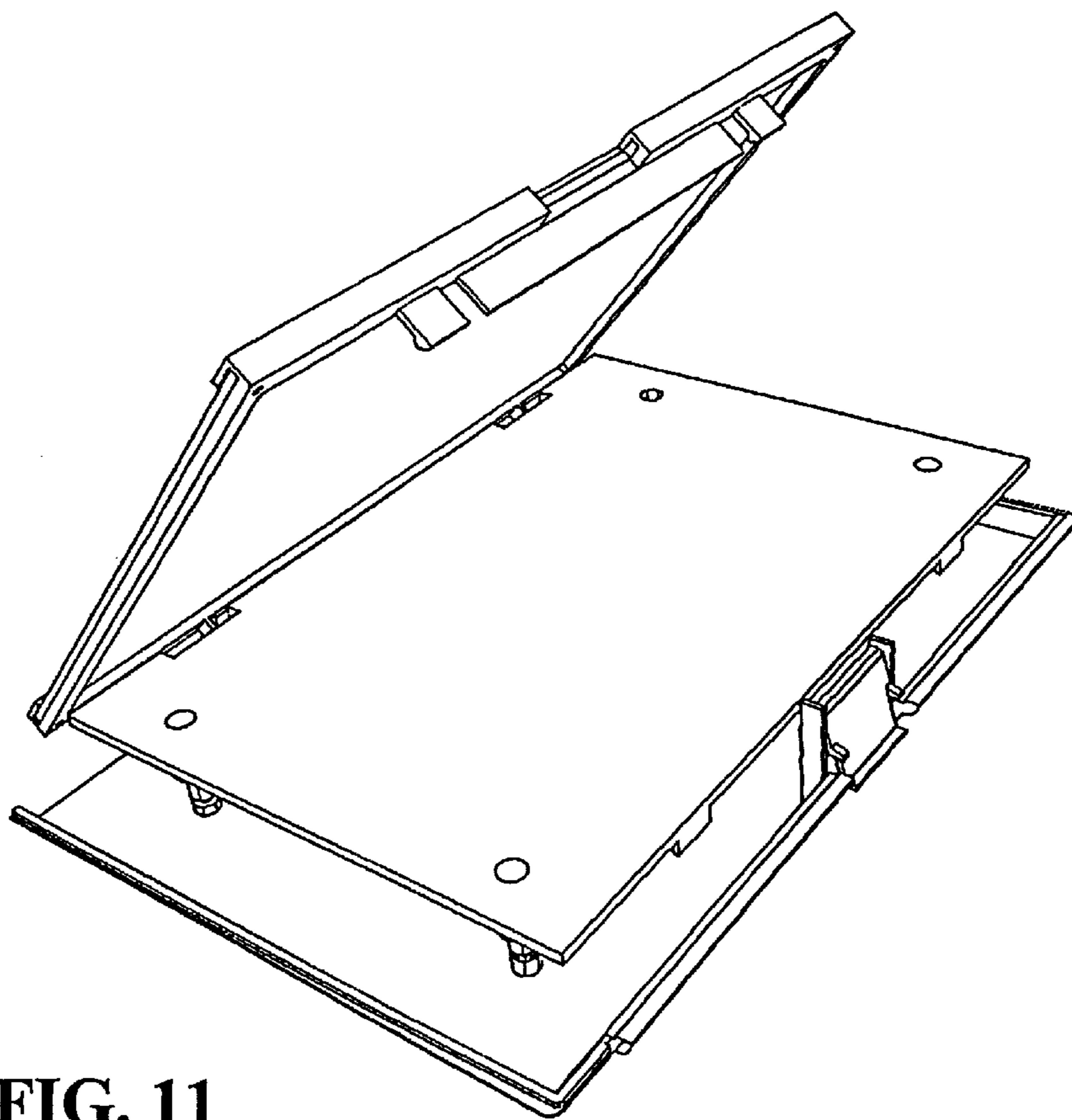


FIG. 11