



US00D462833S

(12) **United States Design Patent** (10) **Patent No.:** **US D462,833 S**
Dorris et al. (45) **Date of Patent:** **** Sep. 17, 2002**

(54) **COMBINED MONKEY'S FIST KEY CHAIN AND ZIPPER ASSIST**

Primary Examiner—Ralf Seifert
(74) *Attorney, Agent, or Firm*—Waddey & Patterson, PC; Richard S. Myers, Jr.

(76) Inventors: **Michael L. Dorris**, 822 Hillside Dr., Springfield, TN (US) 37172; **Levi Montgomery**, 404 S. 11th St., Nashville, TN (US) 37206

(**) Term: **14 Years**

(57) **CLAIM**

What is claimed is the ornamental design for a combined monkey's fist keychain and zipper assist, as shown and described.

(21) Appl. No.: **29/147,708**

(22) Filed: **Aug. 30, 2001**

DESCRIPTION

Related U.S. Application Data

(62) Division of application No. 29/131,631, filed on Oct. 25, 2000.

(51) **LOC (7) Cl.** **03-01**

(52) **U.S. Cl.** **D3/208; D11/221**

(58) **Field of Search** D3/207-212; 70/456 R, 70/456-458; 24/3.6, 381, 385, 415-417, 427-431; D11/200, 221

FIG. 1 is a front elevational view of a combined monkey's fist key chain and zipper assist showing my new design; FIG. 2 is a right side elevational view; FIG. 3 is a rear elevational view; FIG. 4 is a left side elevational view; FIG. 5 is a top plan view; FIG. 6 is a bottom plan view; FIG. 7 is a front elevational view of a combined monkey's fist key chain and zipper assist showing a second embodiment of my new design; FIG. 8 is a right side elevational view of FIG. 7; FIG. 9 is a rear elevational view of FIG. 7; FIG. 10 is a left side elevational view of FIG. 7; FIG. 11 is a top plan view of FIG. 7; and, FIG. 12 is a bottom plan view of FIG. 7.

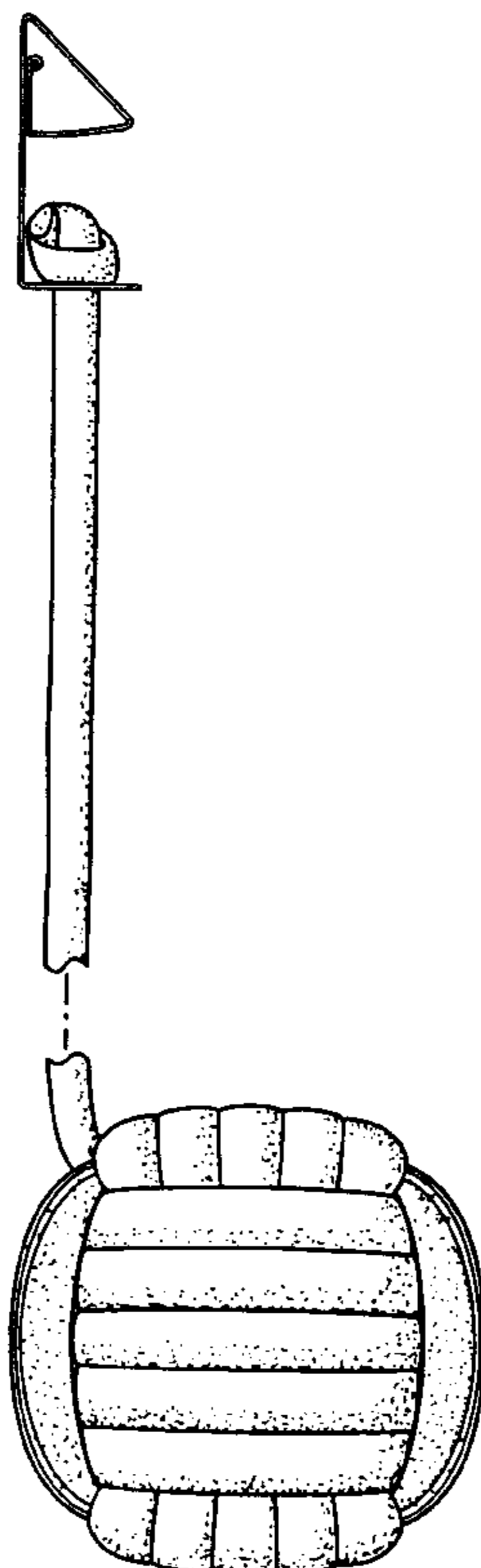
(56) **References Cited**

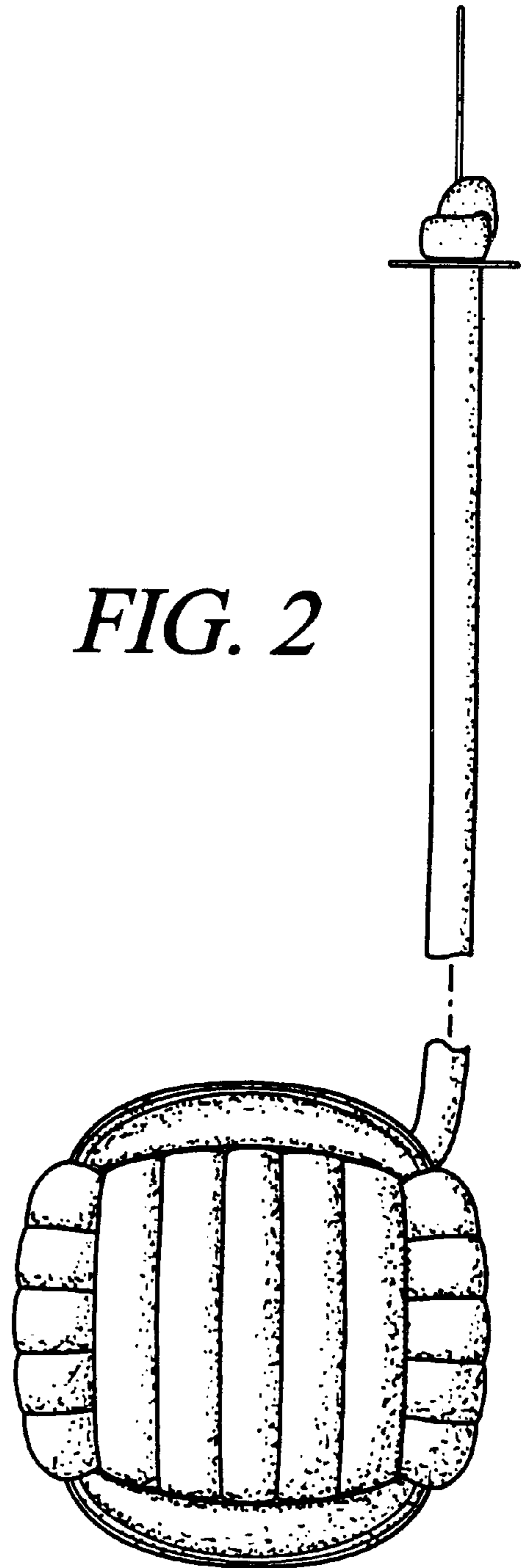
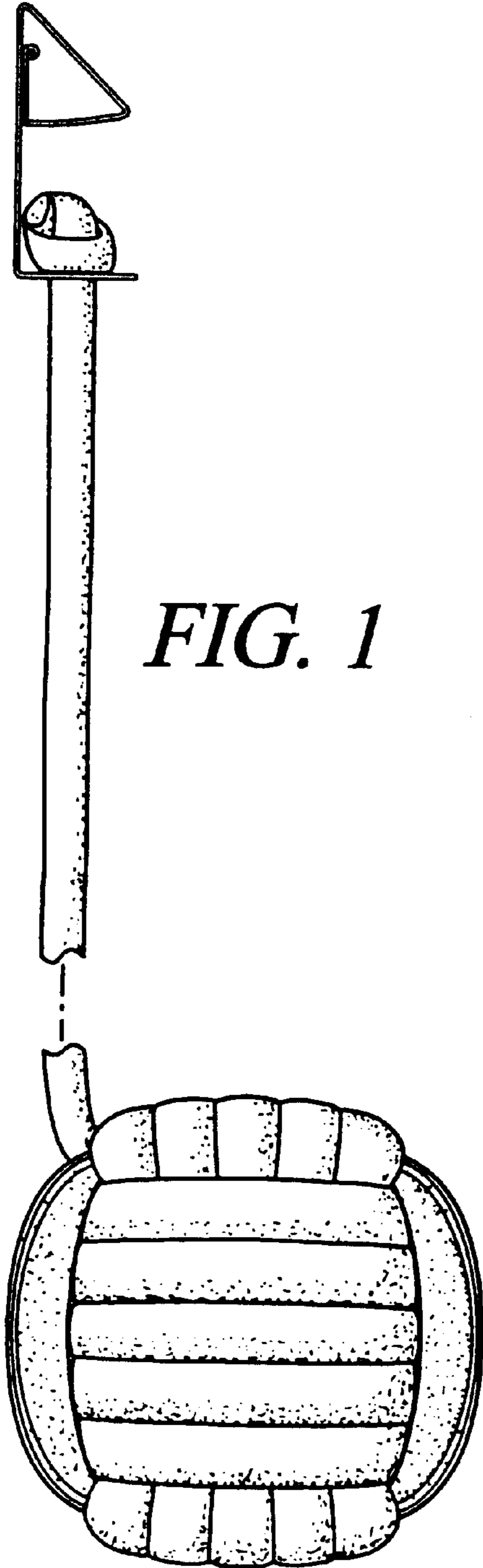
U.S. PATENT DOCUMENTS

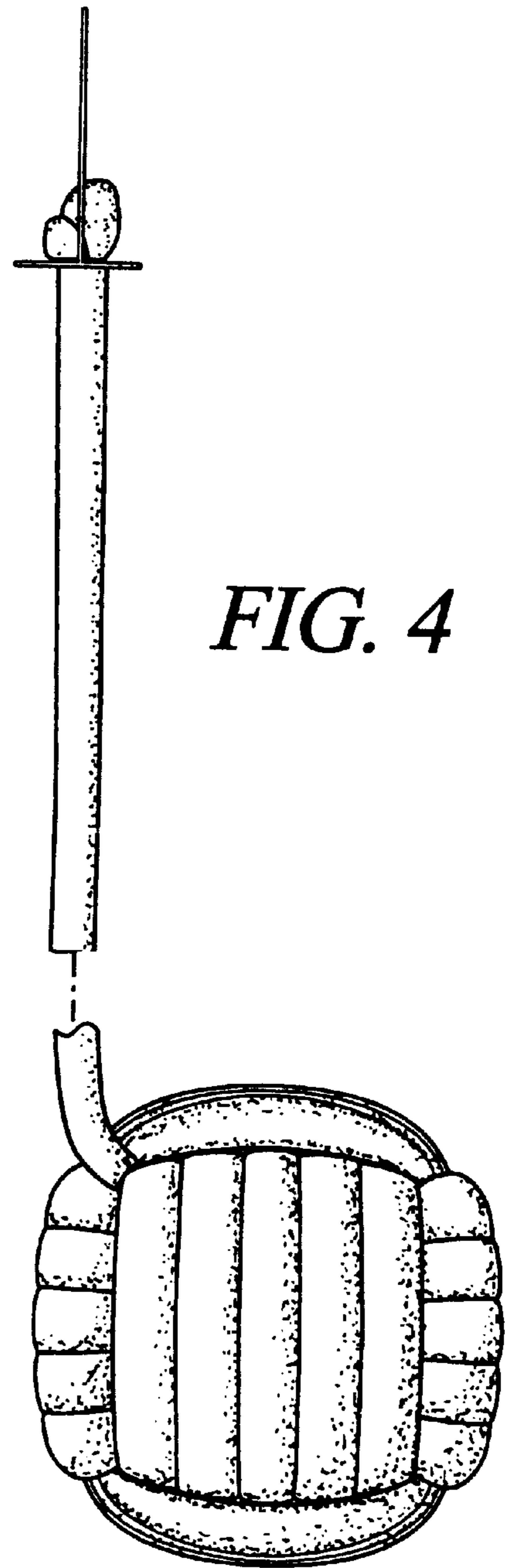
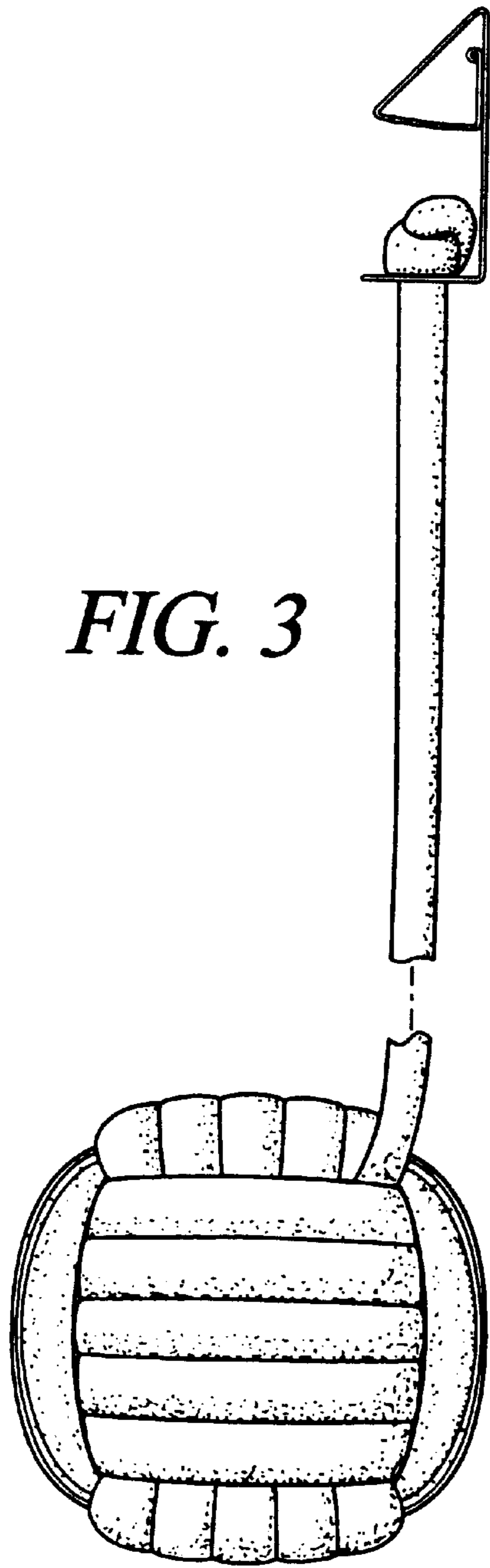
D34,370 S	*	4/1901	Weihman	D3/211
2,888,728 A	*	6/1959	Lebermann	D11/221
D252,541 S	*	8/1979	Harper	D3/211
D362,830 S	*	10/1995	Maggard	D11/221

* cited by examiner

1 Claim, 6 Drawing Sheets







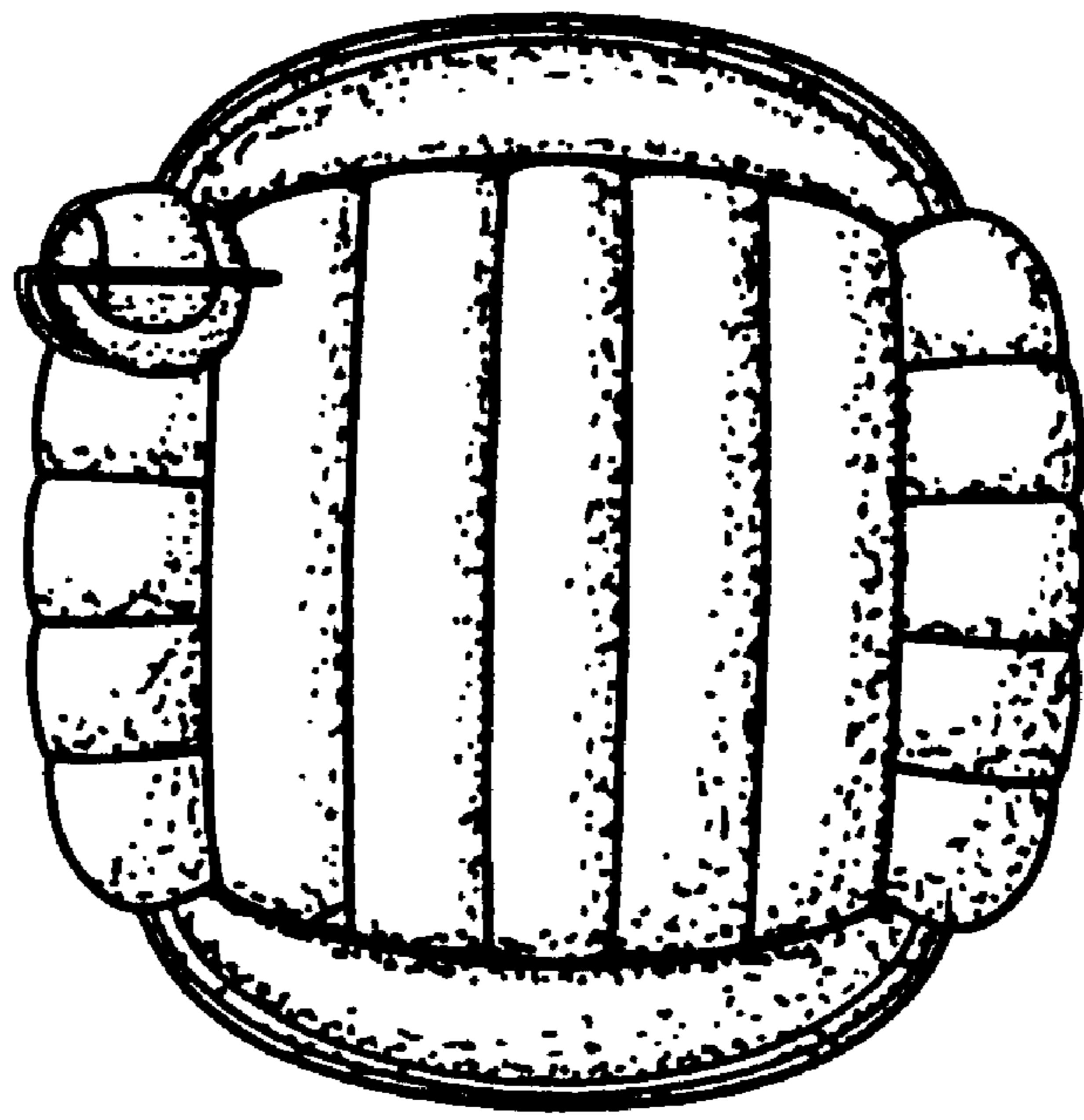


FIG. 5

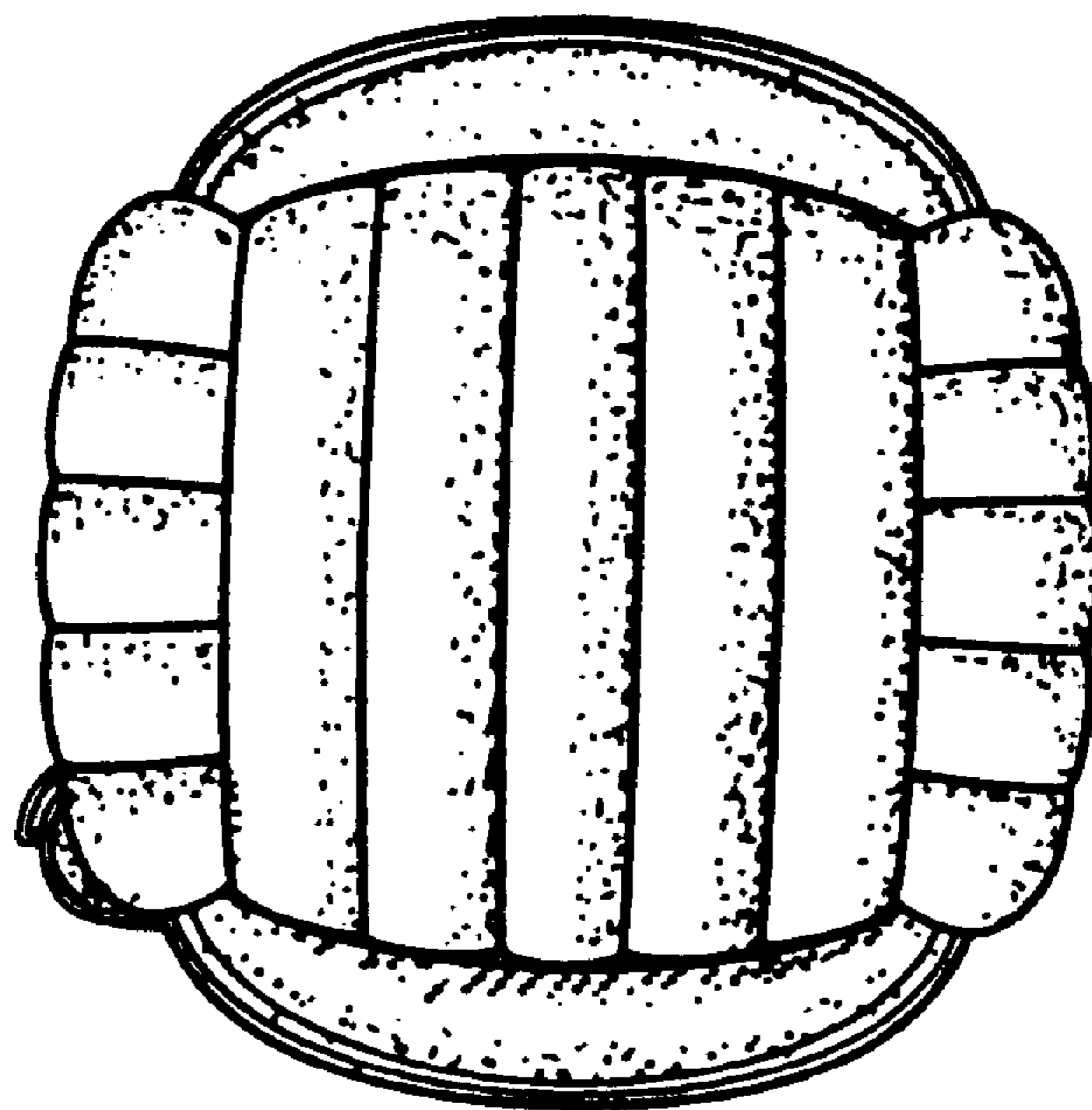


FIG. 6

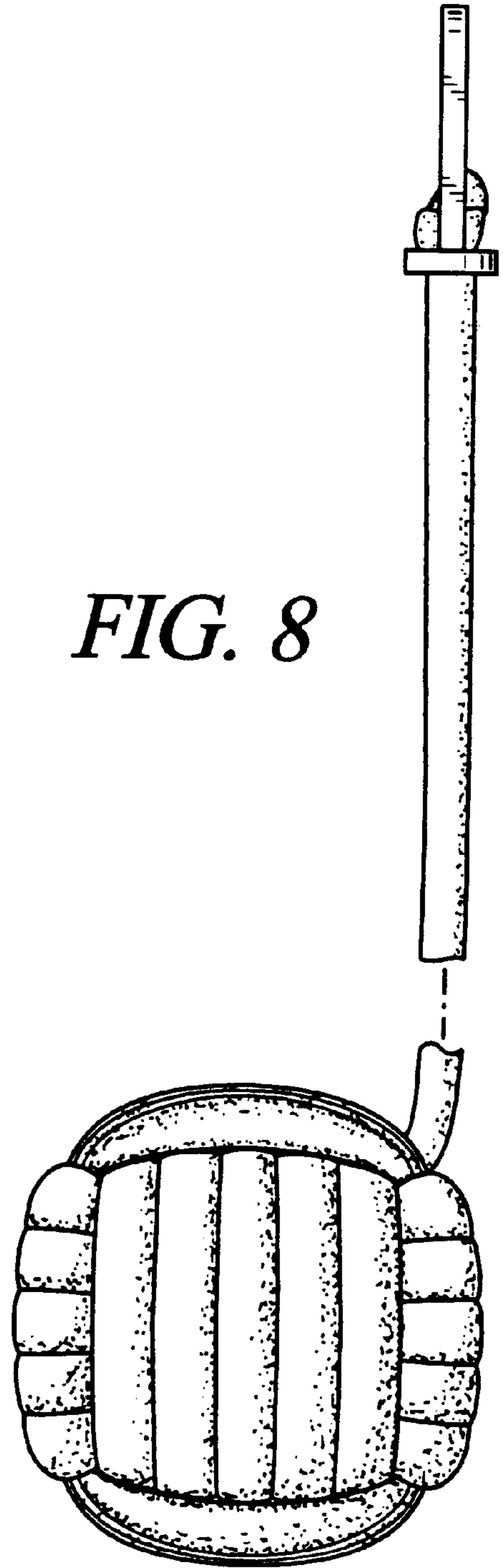
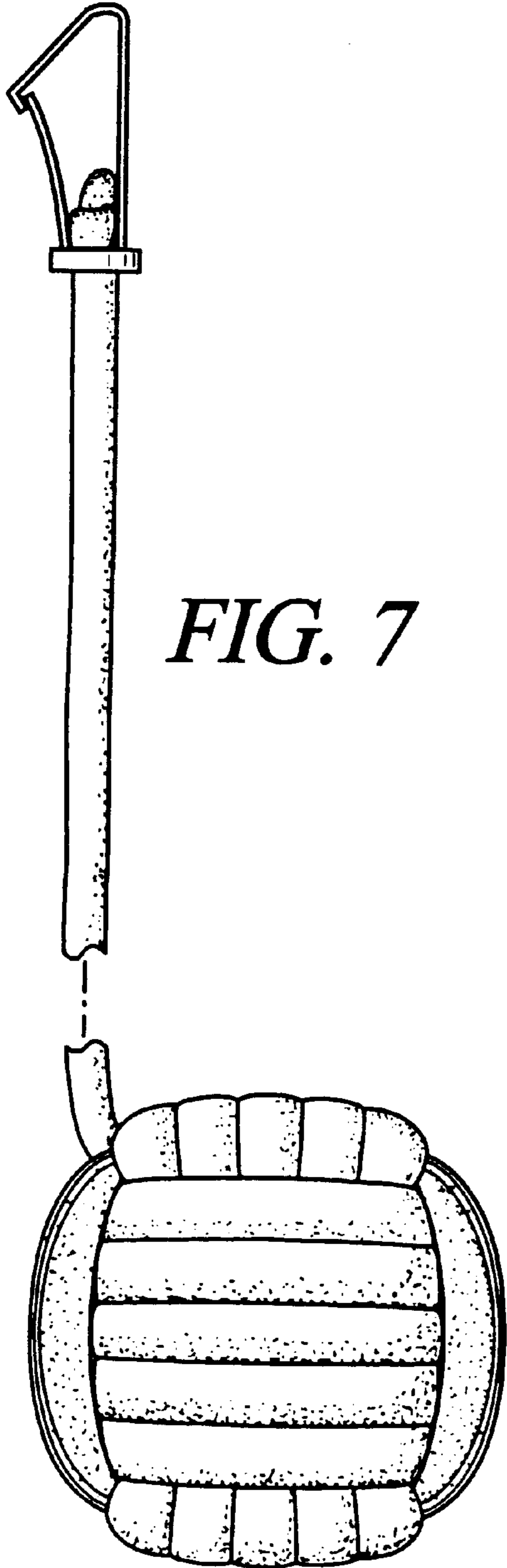


FIG. 9

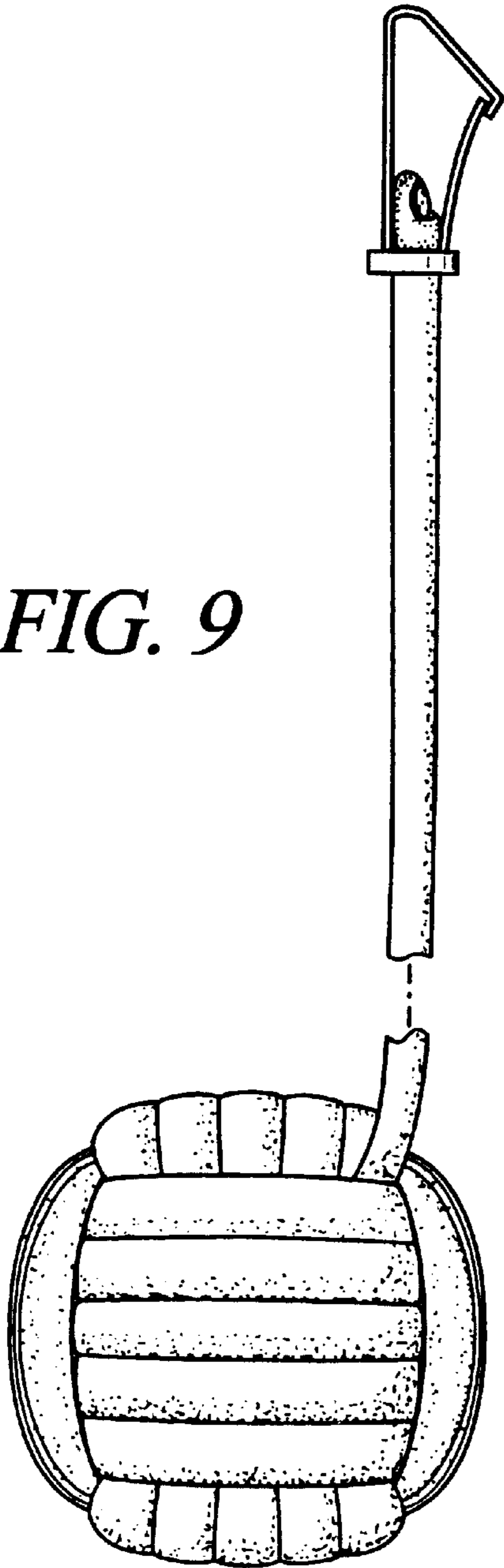
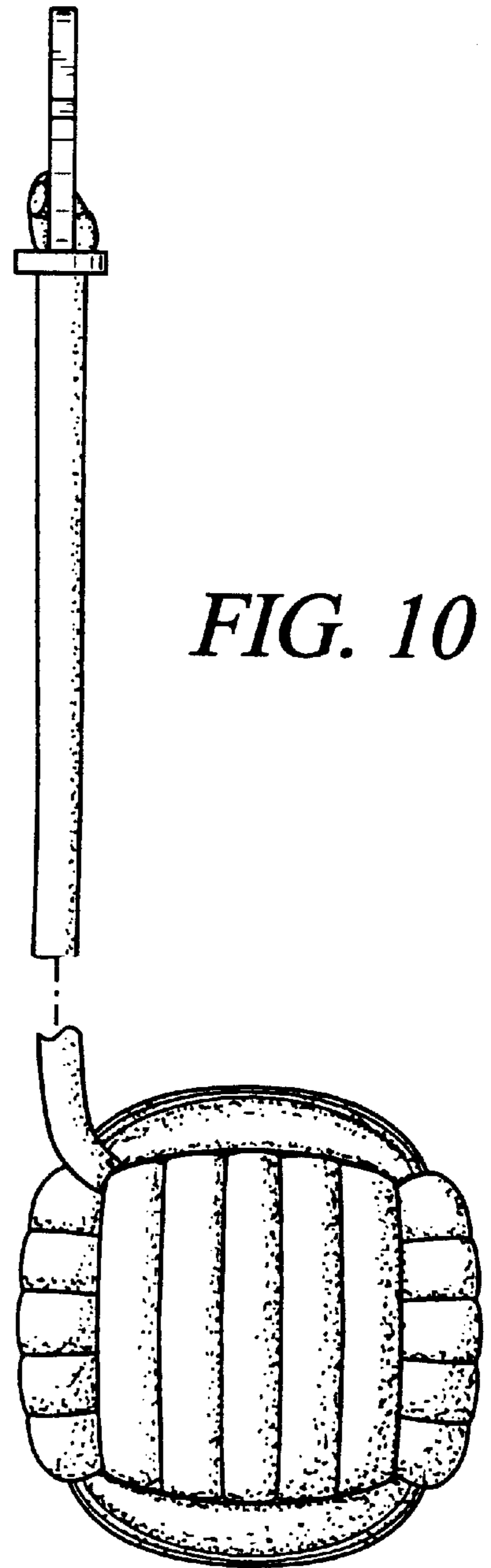


FIG. 10



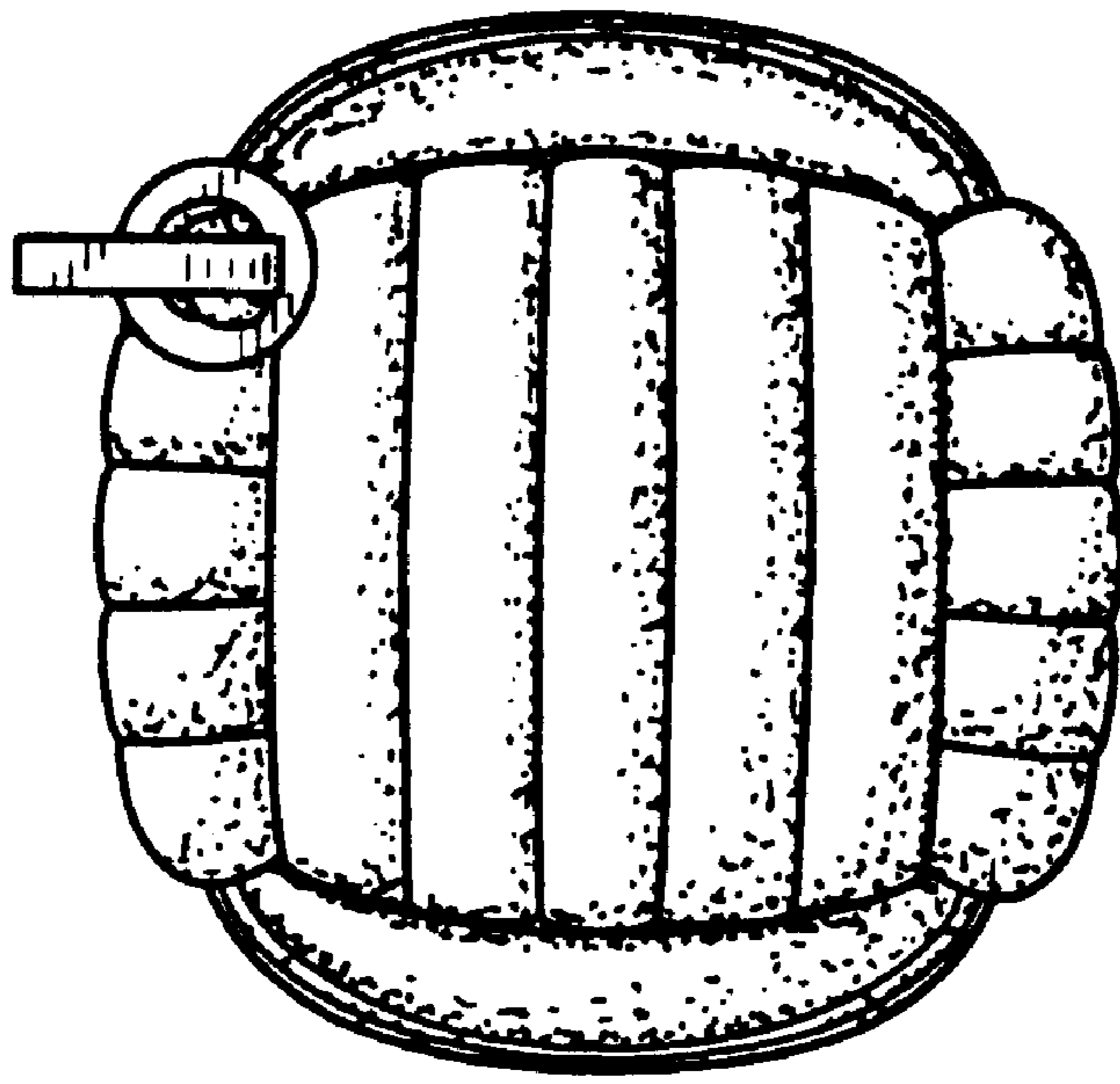


FIG. 11

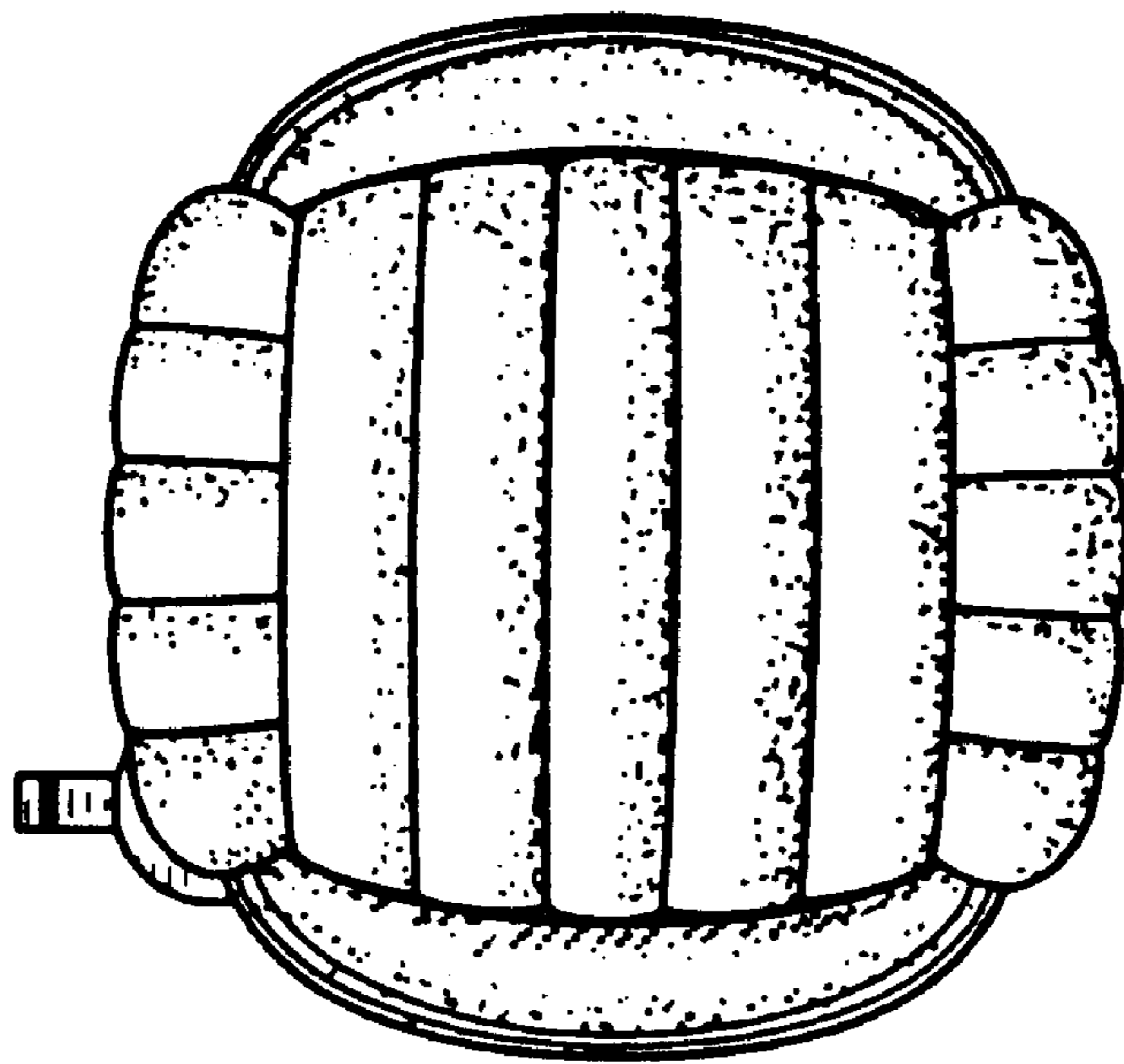


FIG. 12