



US00D462821S

(12) **United States Design Patent**  
**Measom**

(10) **Patent No.:** **US D462,821 S**

(45) **Date of Patent:** **\*\* Sep. 10, 2002**

(54) **HAND TRUCK HANDLE**

(75) Inventor: **S. Ty Measom**, Logan, UT (US)

(73) Assignee: **Dutro Company**, Emeryville, CA (US)

(\*\*) Term: **14 Years**

(21) Appl. No.: **29/146,751**

(22) Filed: **Aug. 16, 2001**

(51) **LOC (7) Cl.** ..... **12-02**

(52) **U.S. Cl.** ..... **D34/27; D34/24**

(58) **Field of Search** ..... **D34/12-27; 280/47.17,**  
**280/47.19, 47.24, 47.26, 47.27, 47.28, 47.34,**  
**79.11**

(56) **References Cited**

**U.S. PATENT DOCUMENTS**

D337,409 S	*	7/1993	Maple et al.	.....	D34/27
D395,113 S	*	6/1998	Pingel et al.	.....	D34/27
D396,925 S	*	8/1998	Kessler et al.	.....	D34/27
D449,144 S	*	10/2001	Measom	.....	D34/27

\* cited by examiner

*Primary Examiner*—Kay H. Chin

(74) *Attorney, Agent, or Firm*—Harris Zimmerman, Esq.

(57) **CLAIM**

The ornamental design for a hand truck handle, as shown and described.

**DESCRIPTION**

FIG. 1 is a perspective view of a hand truck handle stand showing my new design;

FIG. 2 is a top plan view;

FIG. 3 is a side view, the other side view being a mirror image thereof;

FIG. 4 is a front view;

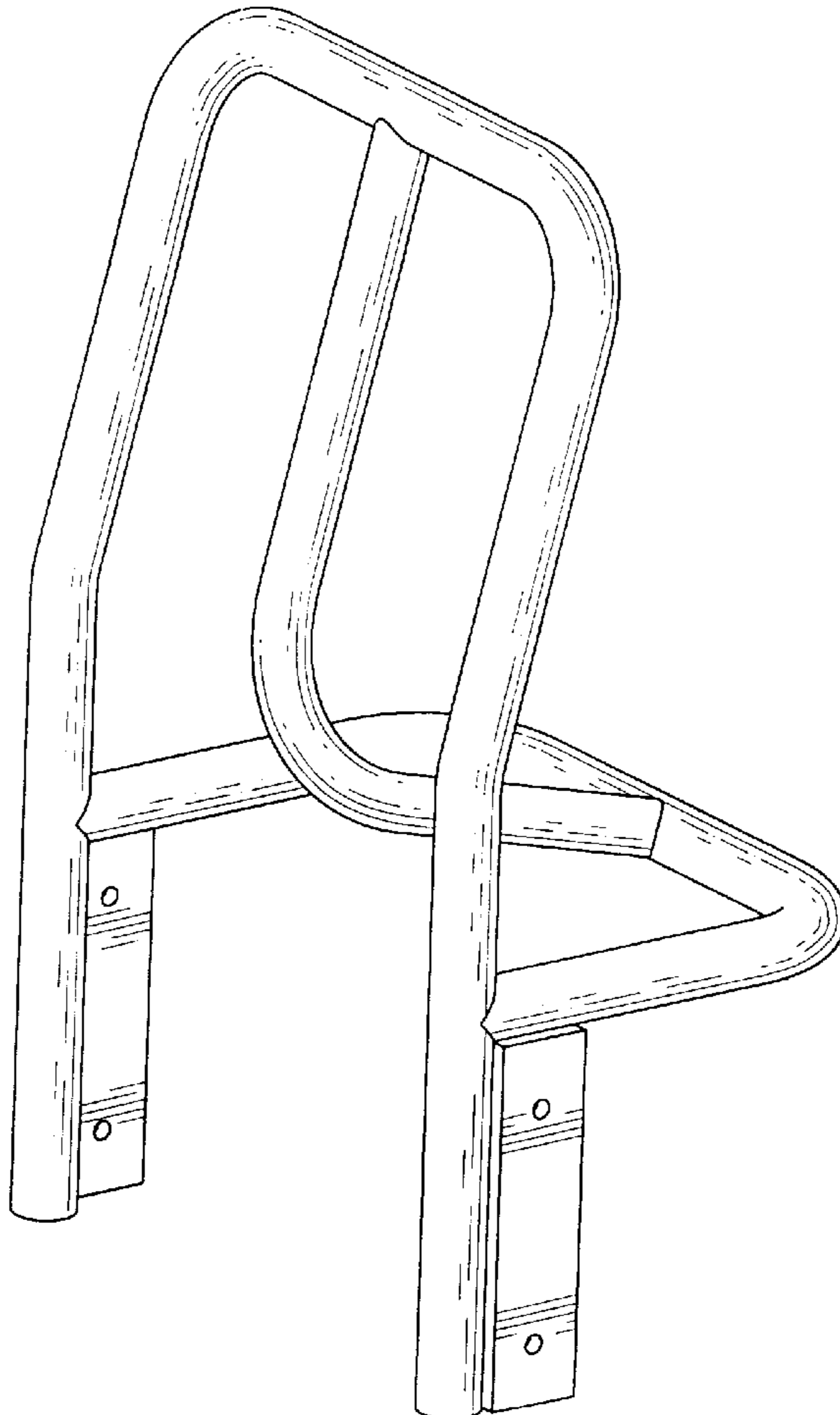
FIG. 5 is a rear view;

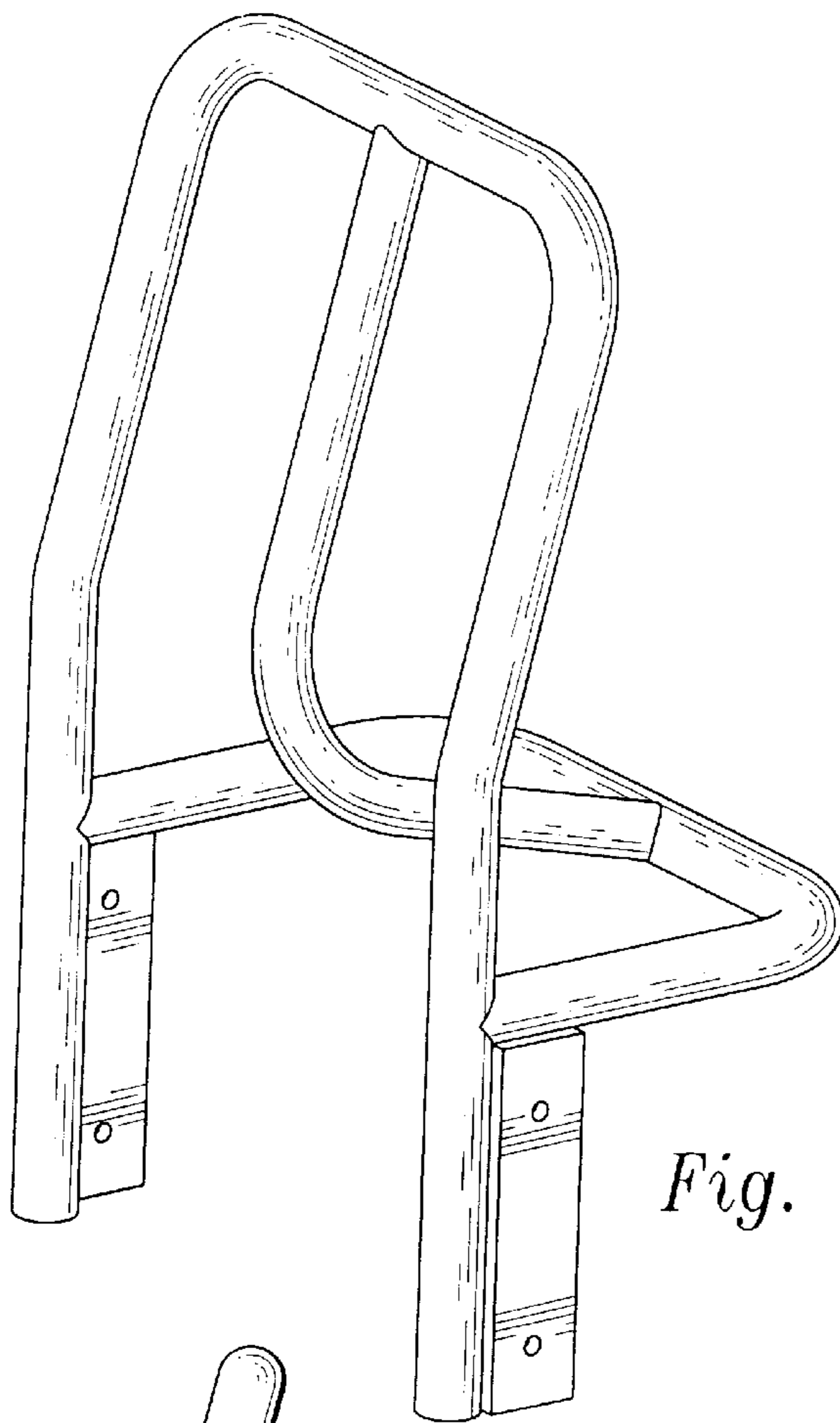
FIG. 6 is a bottom view; and,

FIG. 7 is a perspective view showing the hand truck handle of the present invention on a form of a hand truck shown in dotted lines.

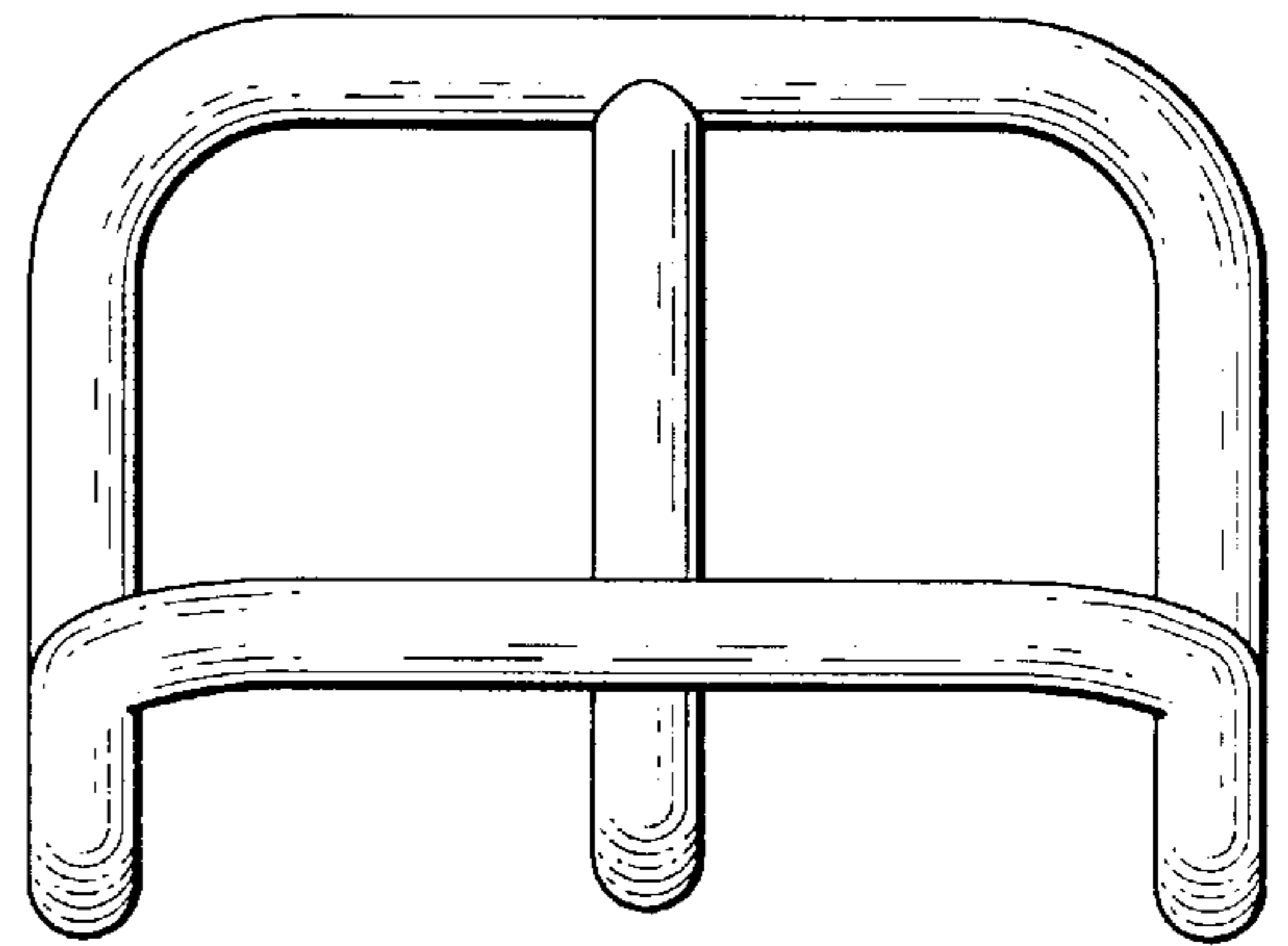
The hand truck as shown in dotted lines in FIG. 7 forms no part of the present invention and is for illustrative purposes only.

**1 Claim, 2 Drawing Sheets**

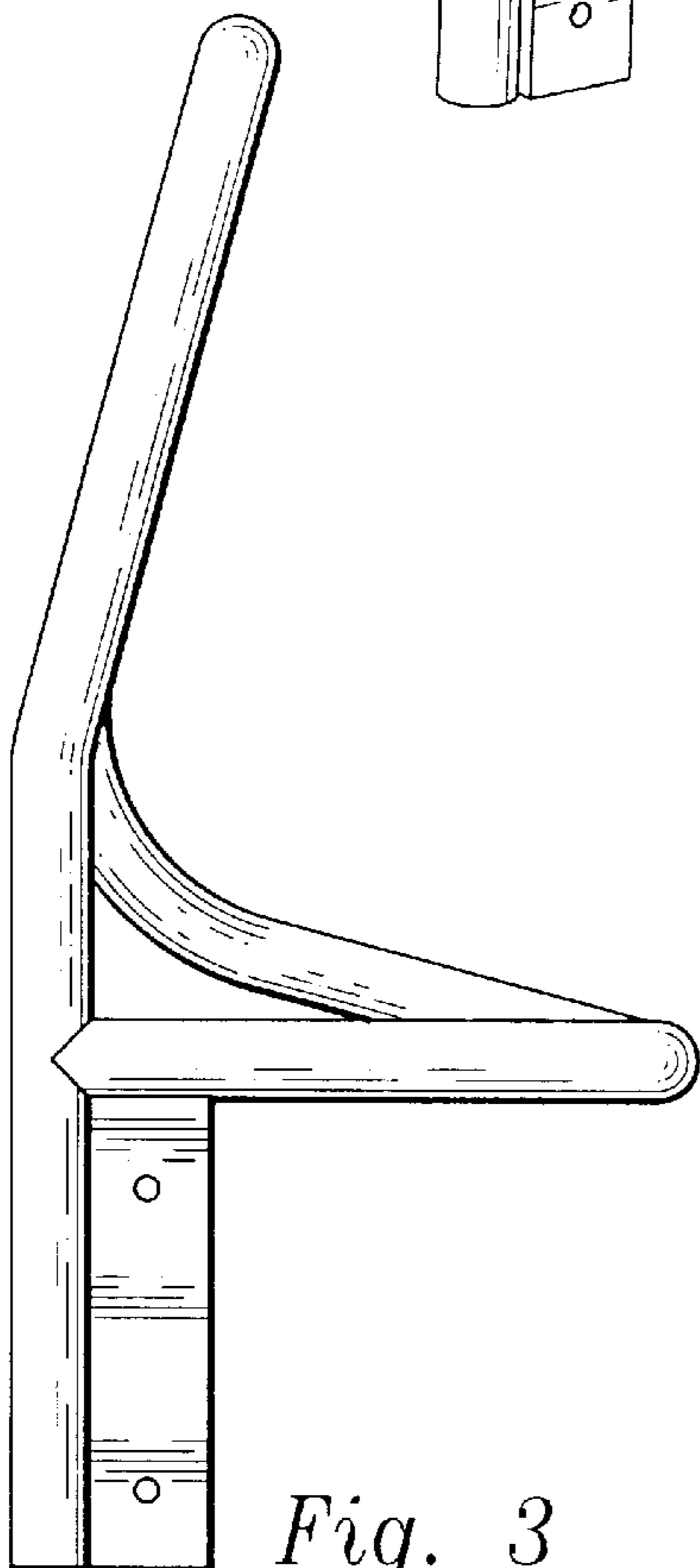




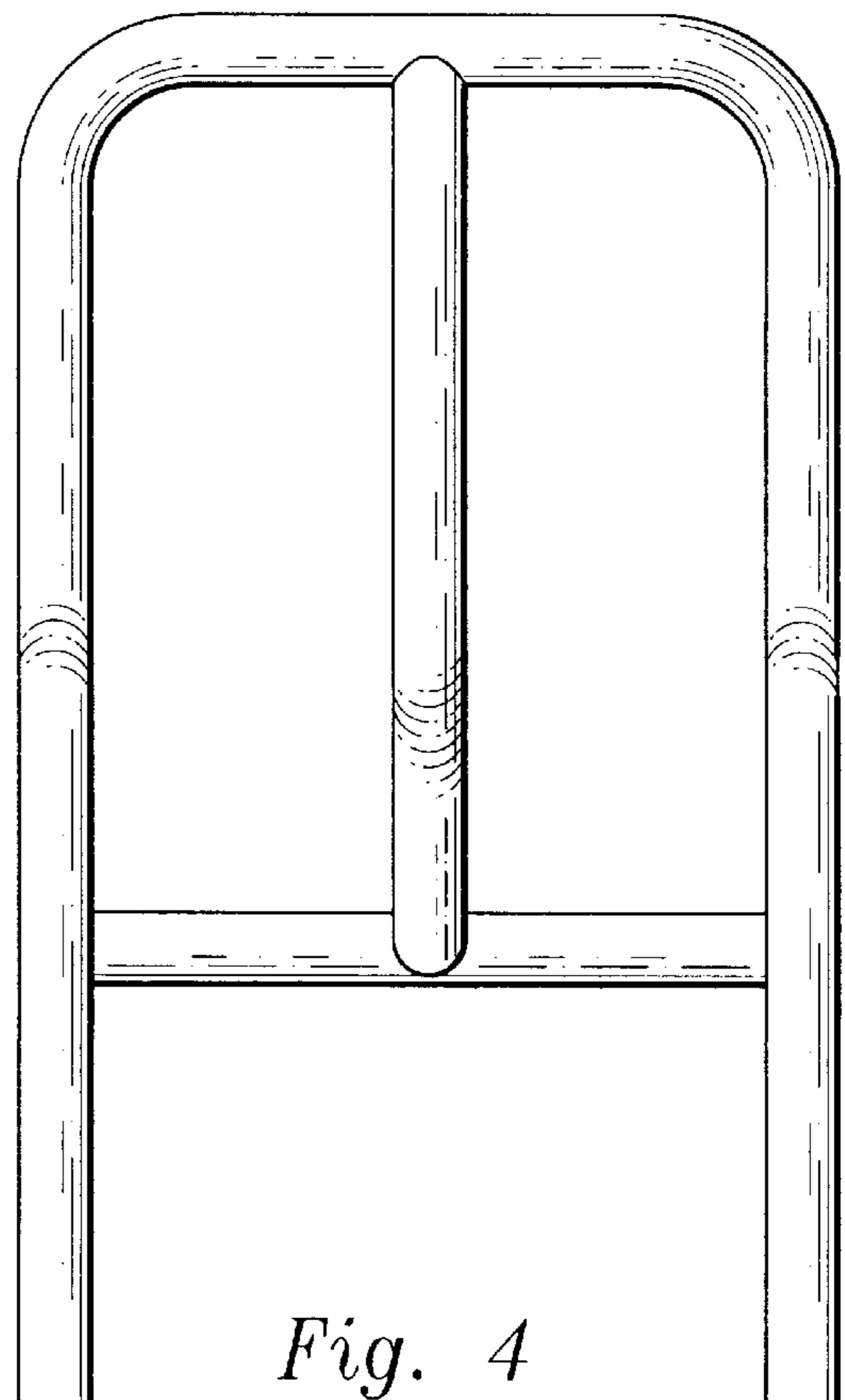
*Fig. 1*



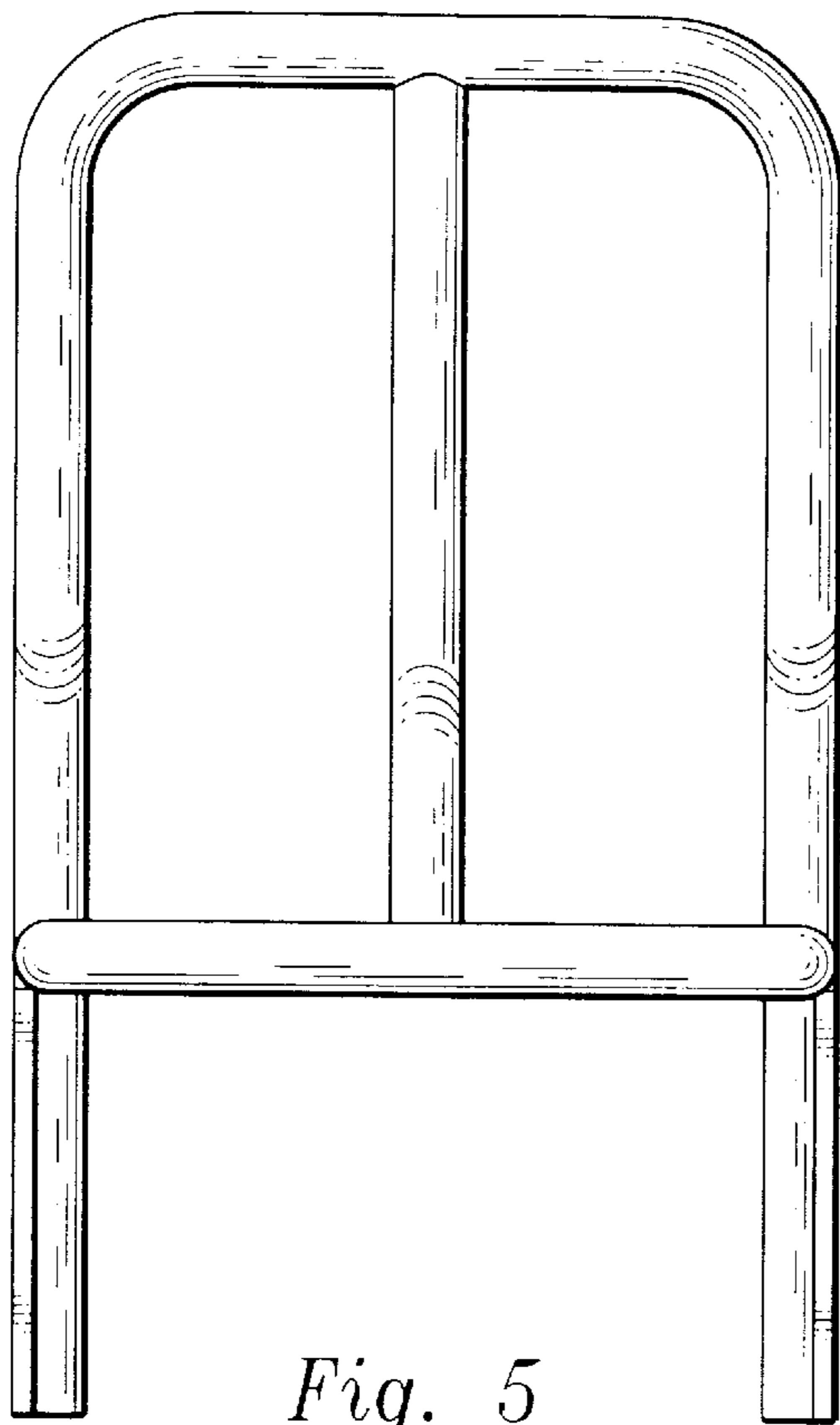
*Fig. 2*



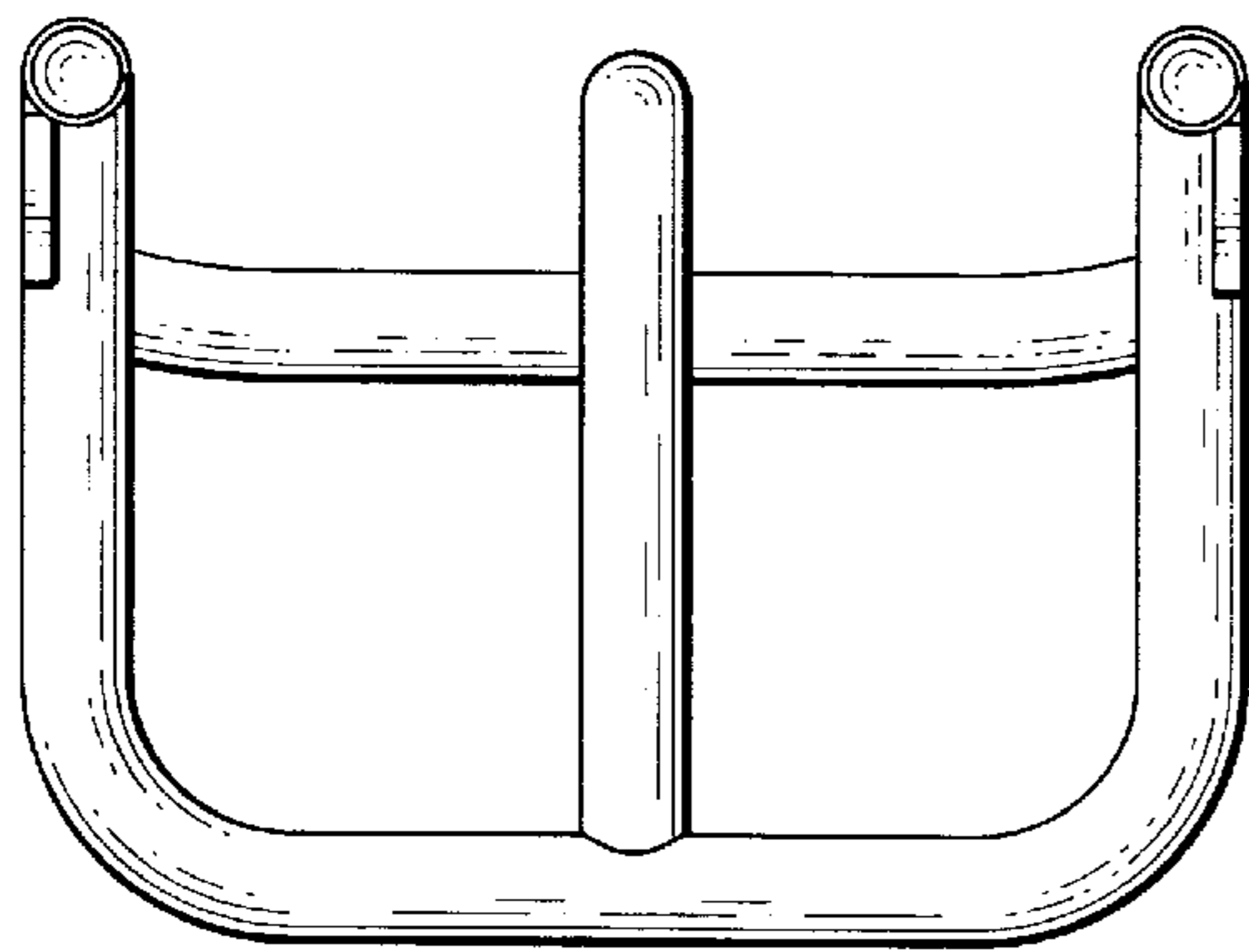
*Fig. 3*



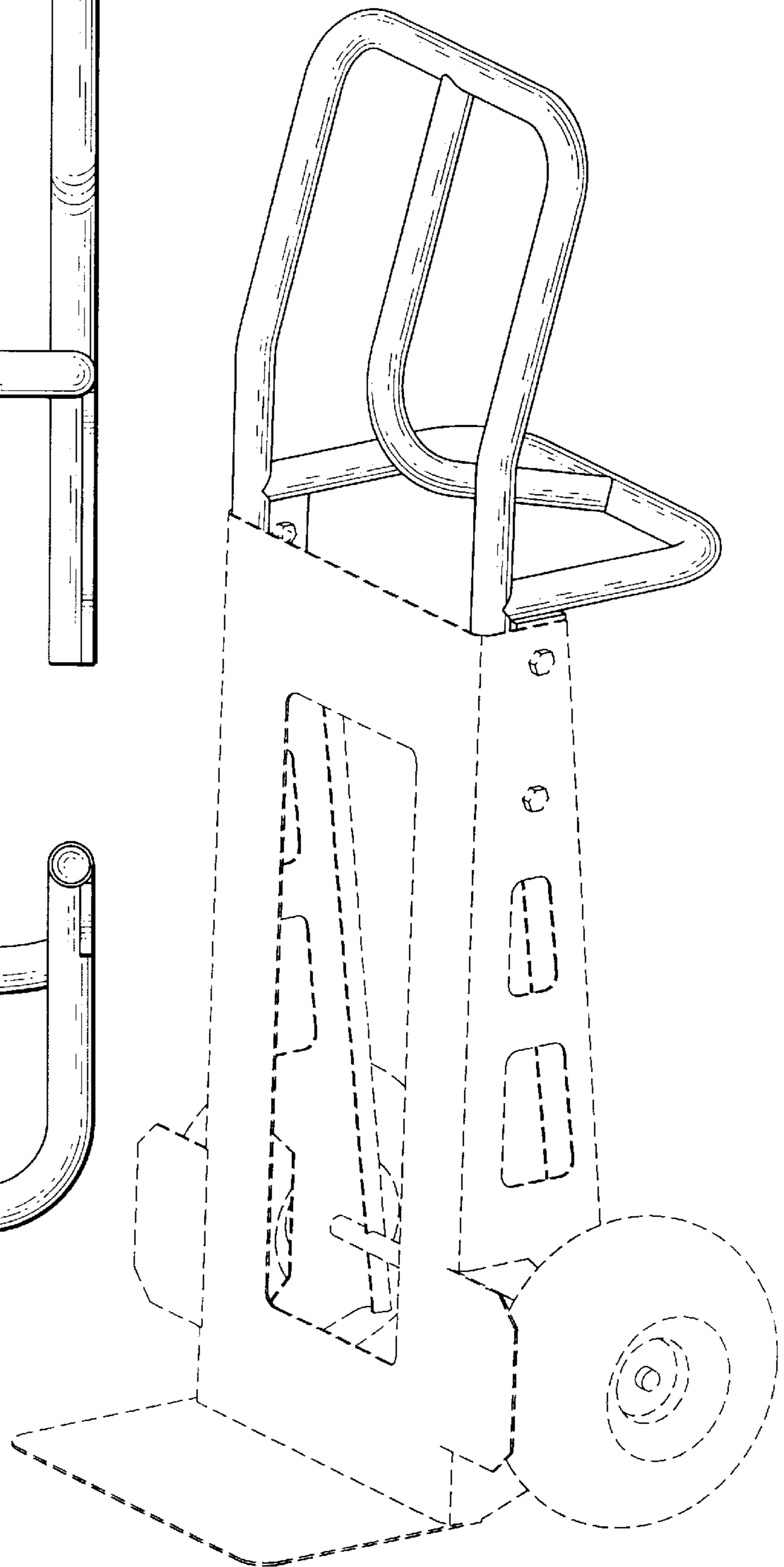
*Fig. 4*



*Fig. 5*



*Fig. 6*



*Fig. 7*