



US00D462820S

(12) **United States Design Patent**
Liao

(10) **Patent No.:** **US D462,820 S**

(45) **Date of Patent:** **** Sep. 10, 2002**

(54) **UTILITY TRAY FOR GOLF CLUB CARTS**

D450,902 S * 11/2001 Liao D34/15

(76) **Inventor:** **Gordon Liao**, No. 5, Alley 54, Lane 737, Chung Jeng North Road, Yung Kang City, Tainan Hsien (TW)

* cited by examiner

Primary Examiner—Kay H. Chin
(74) *Attorney, Agent, or Firm*—Pro-Techtor International Services

(**) **Term:** **14 Years**

(21) **Appl. No.:** **29/144,853**

(22) **Filed:** **Jul. 10, 2001**

(51) **LOC (7) Cl.** **12-02**

(52) **U.S. Cl.** **D34/27**

(58) **Field of Search** D34/15, 27; D3/257, D3/259; 224/274, 918, 919; 280/646, DIG. 5, DIG. 6

(57) **CLAIM**

The ornamental design for an utility tray for golf club carts, as shown and described.

DESCRIPTION

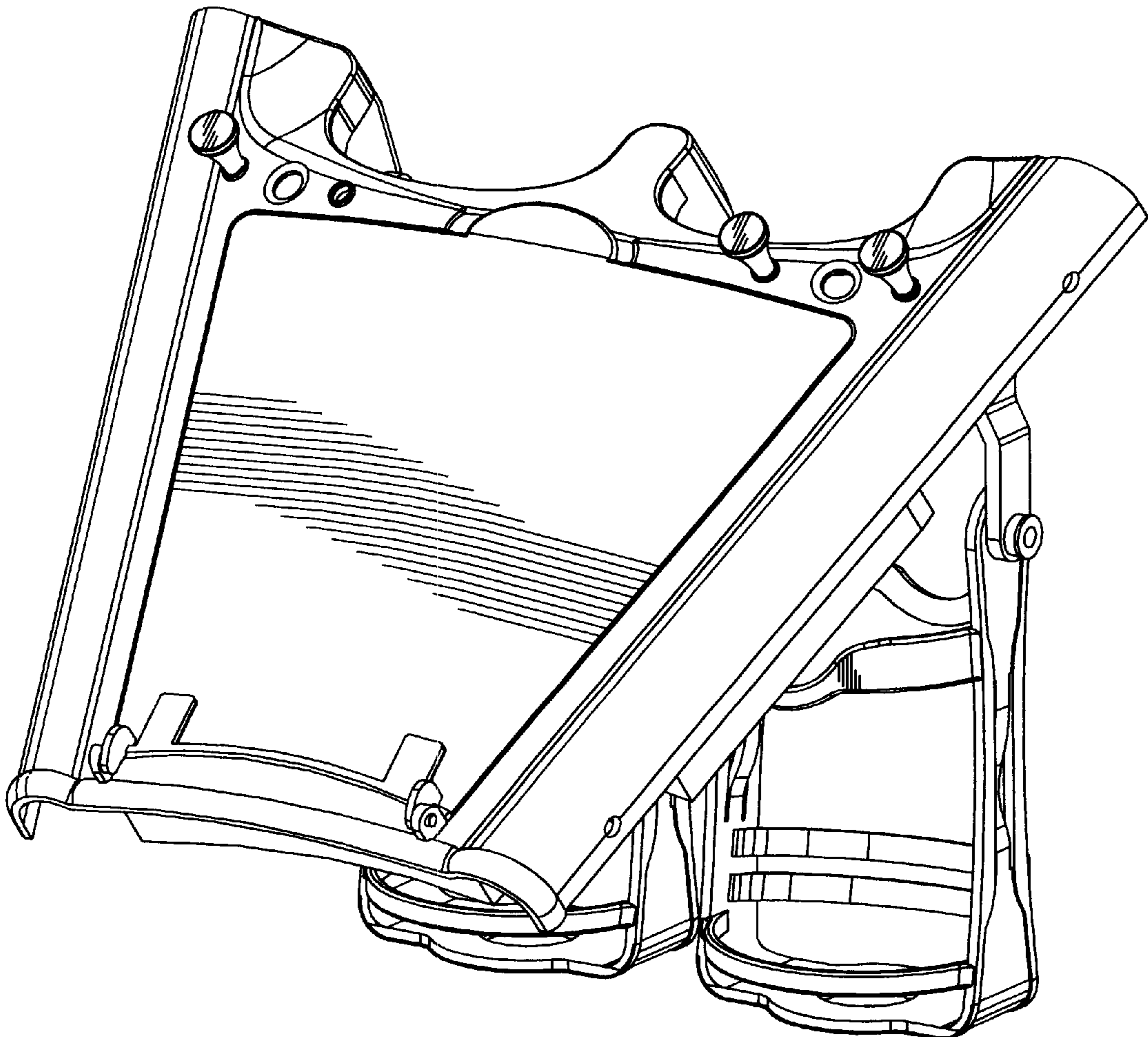
FIG. 1 is a perspective view of an utility tray for golf club carts showing my new design;
FIG. 2 is a right side elevational view thereof;
FIG. 3 is a top plan view thereof;
FIG. 4 is a front elevational view thereof;
FIG. 5 is a bottom plan view thereof;
FIG. 6 is a left side elevational view thereof;
FIG. 7 is a rear elevational view thereof; and,
FIG. 8 is a perspective view thereof in its opened condition.

(56) **References Cited**

U.S. PATENT DOCUMENTS

- D391,730 S * 3/1998 Wang D34/15
- D392,082 S * 3/1998 Wu D34/27
- D401,730 S * 11/1998 Liao D34/27

1 Claim, 8 Drawing Sheets



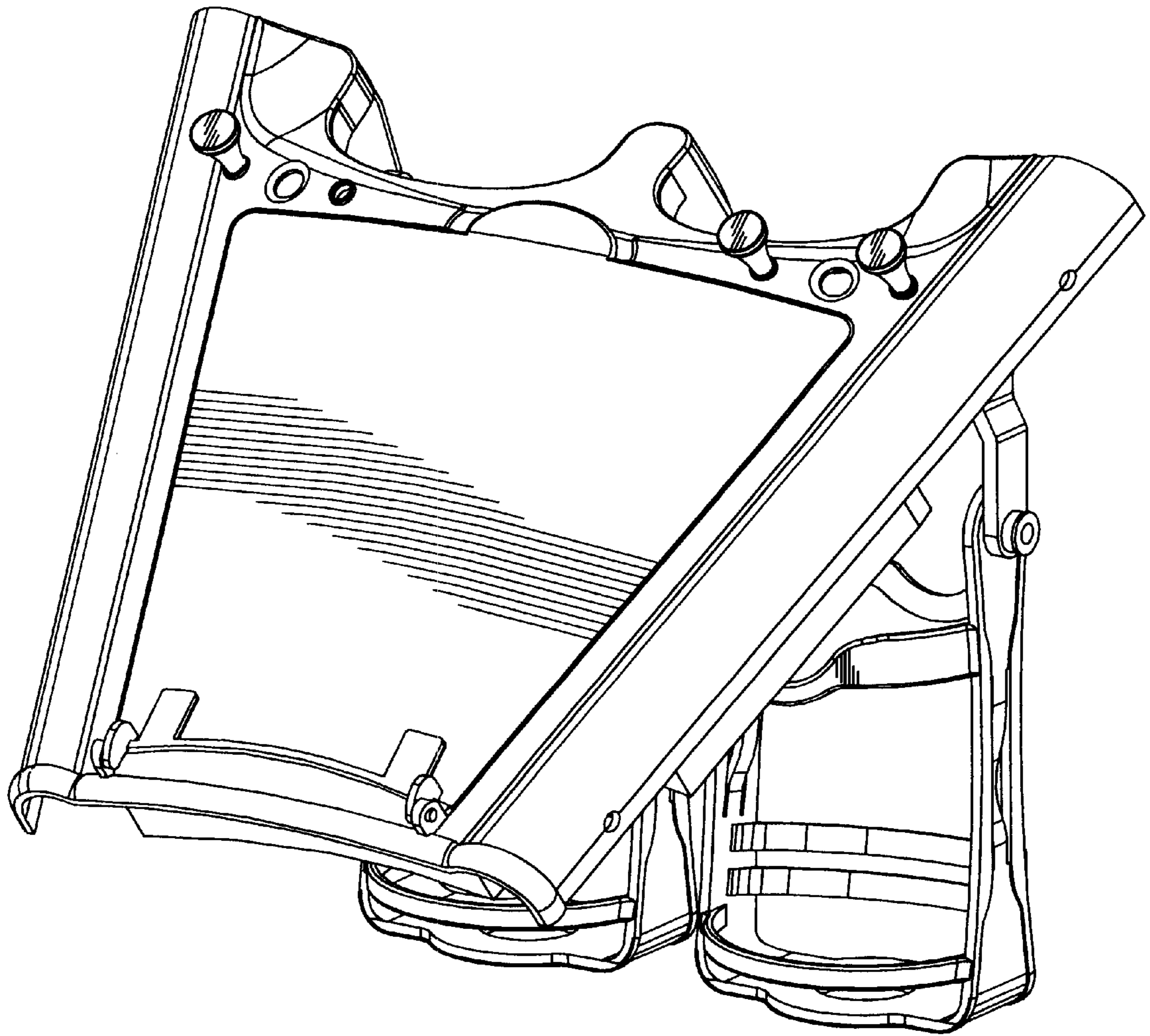


FIG. 1

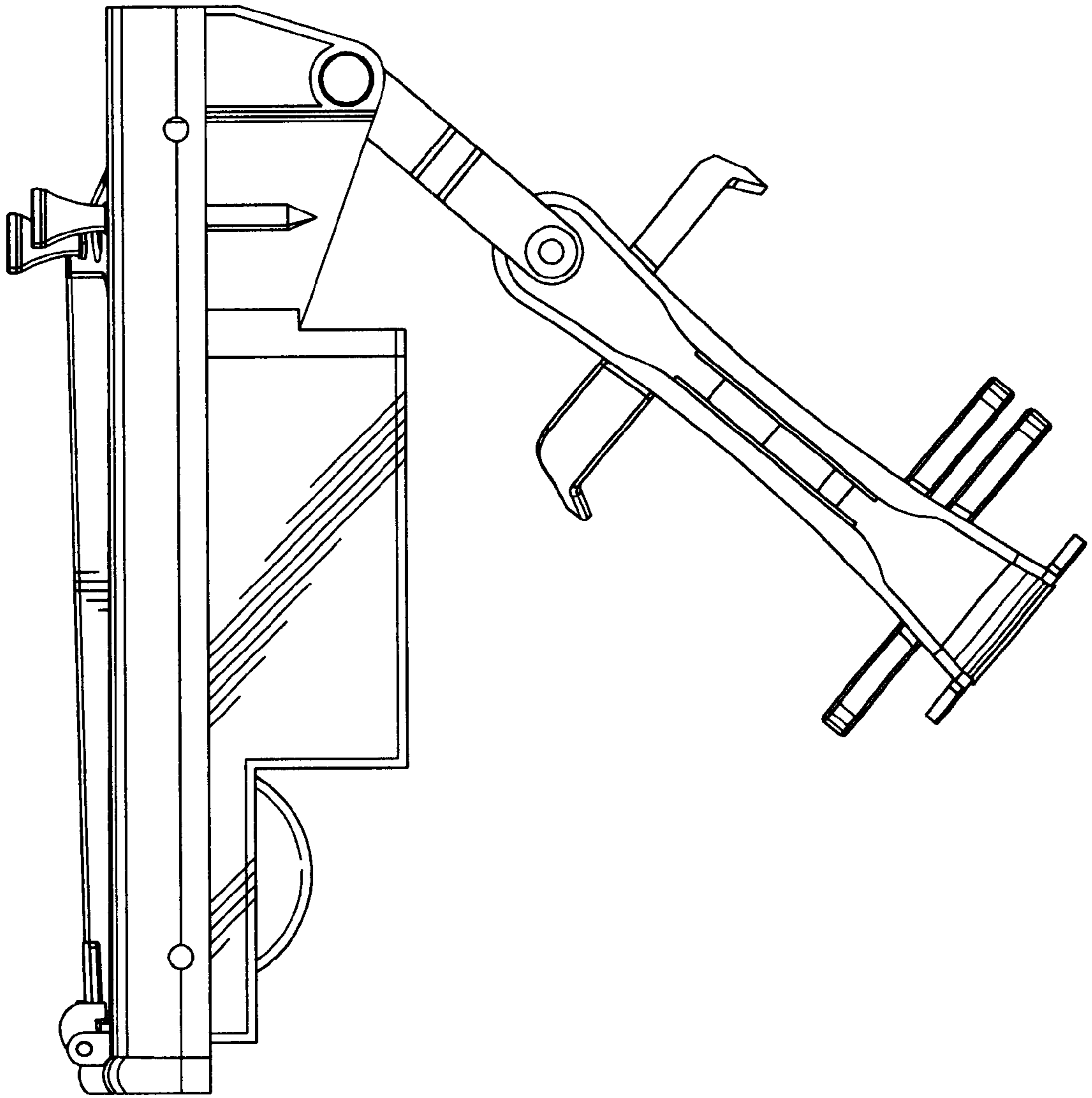


FIG. 2

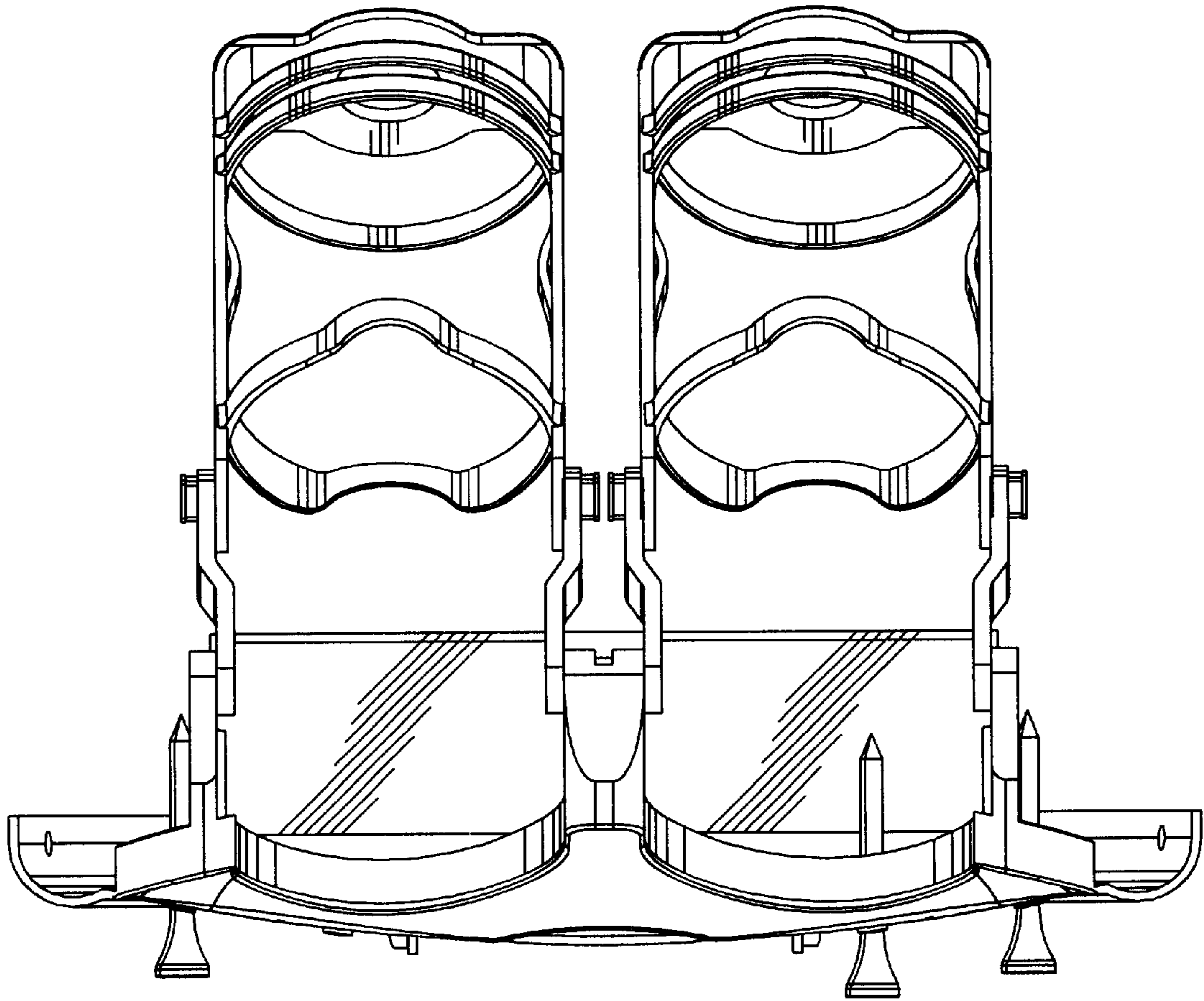


FIG. 3

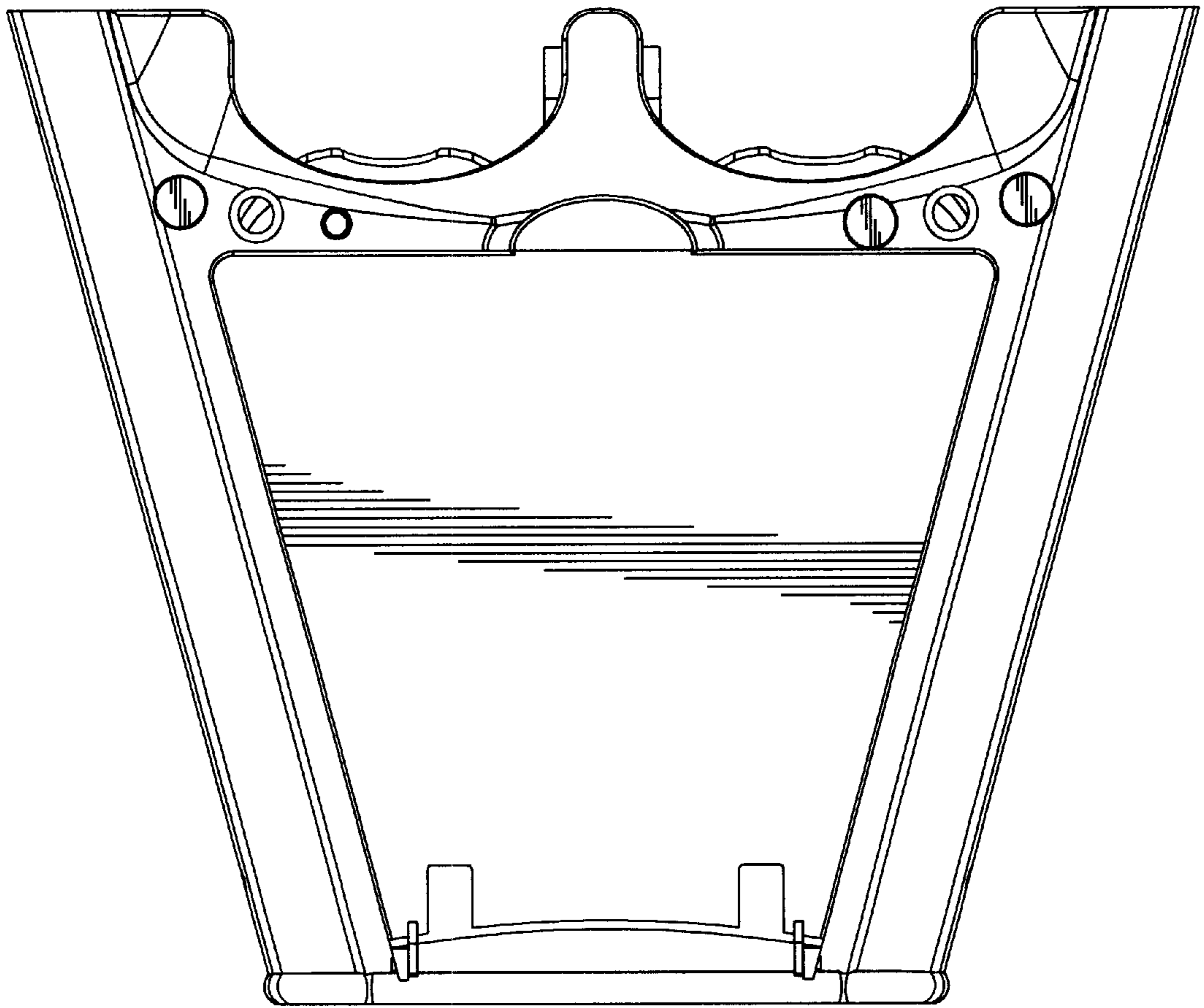


FIG. 4

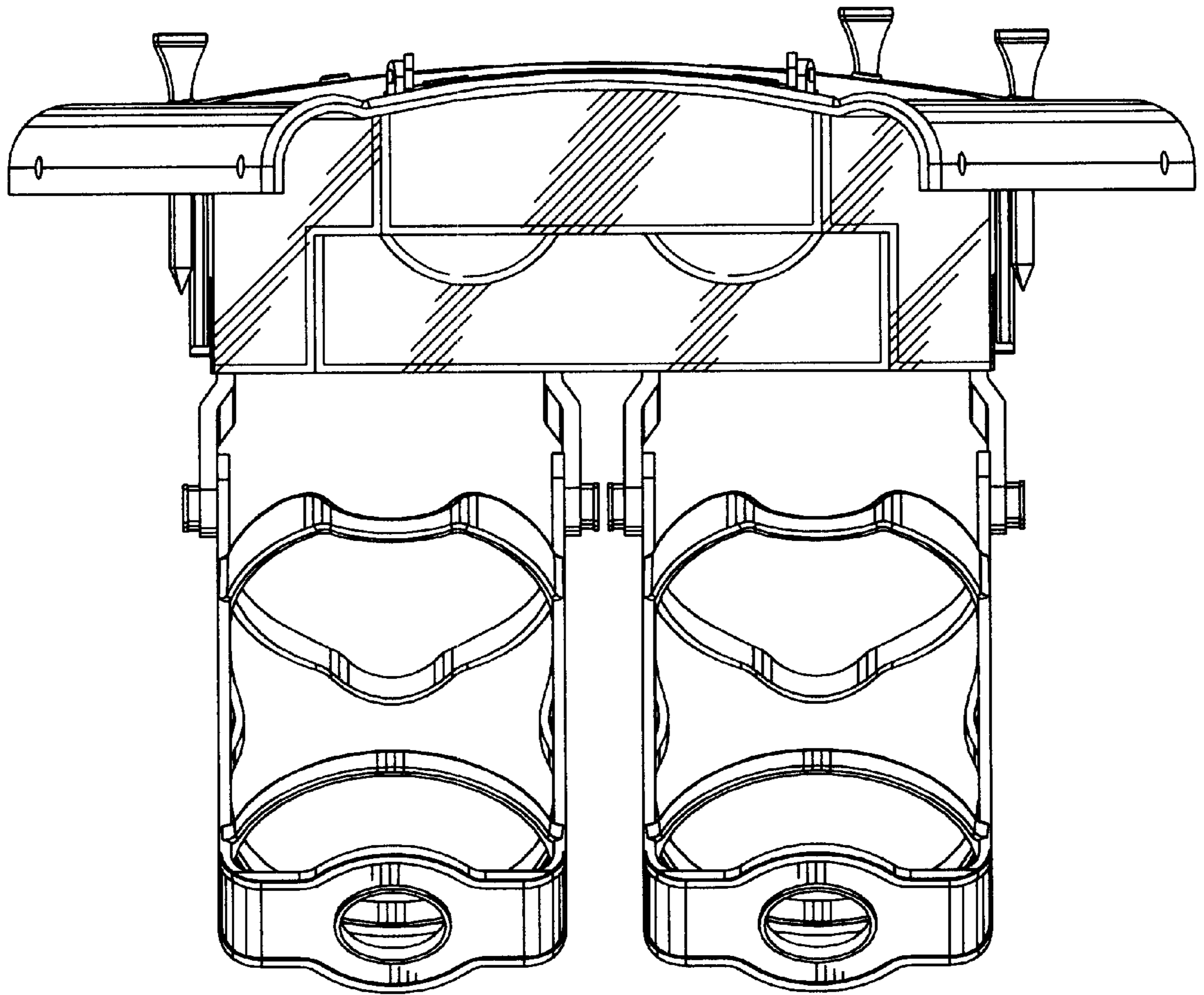


FIG. 5

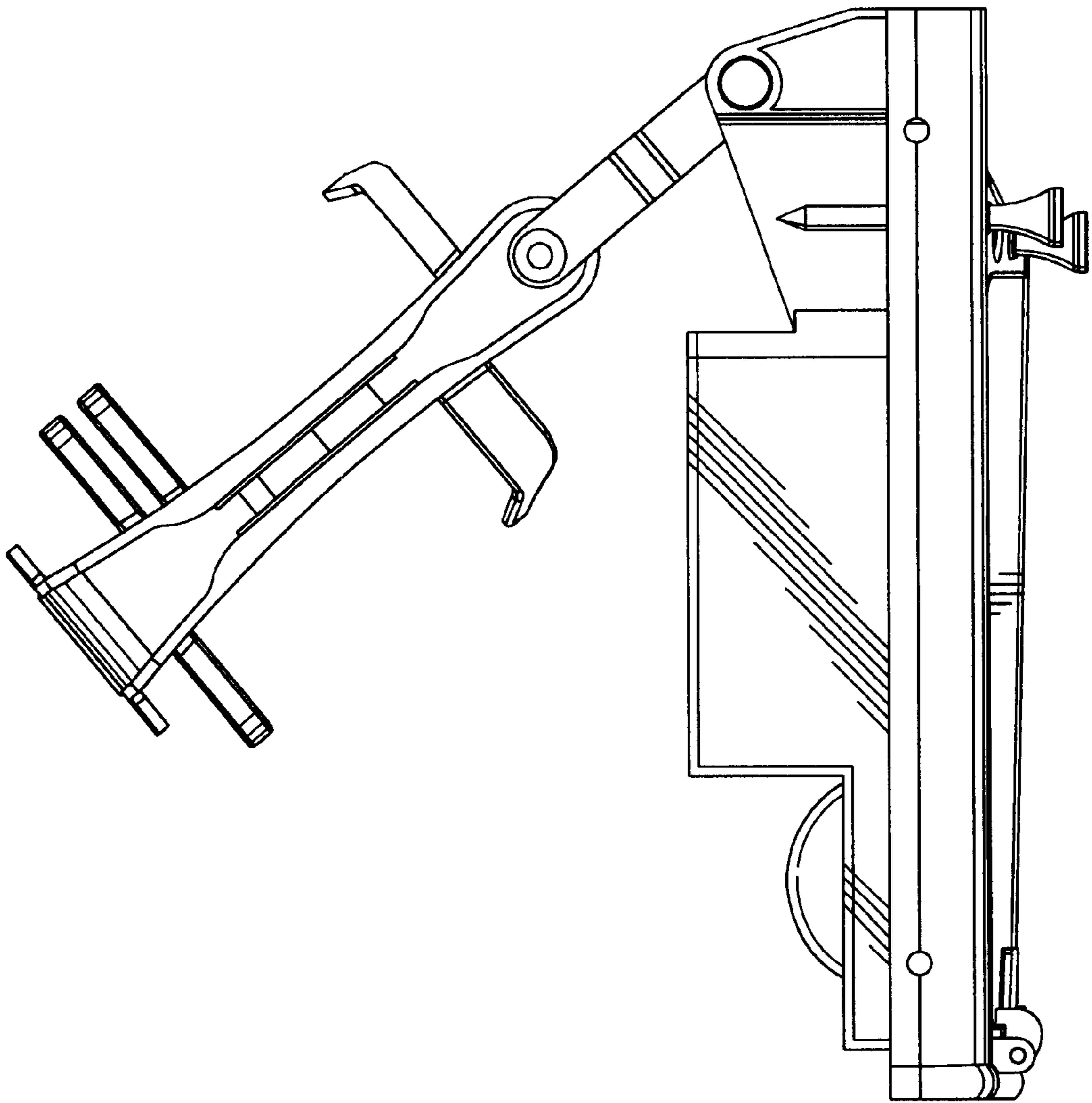


FIG. 6

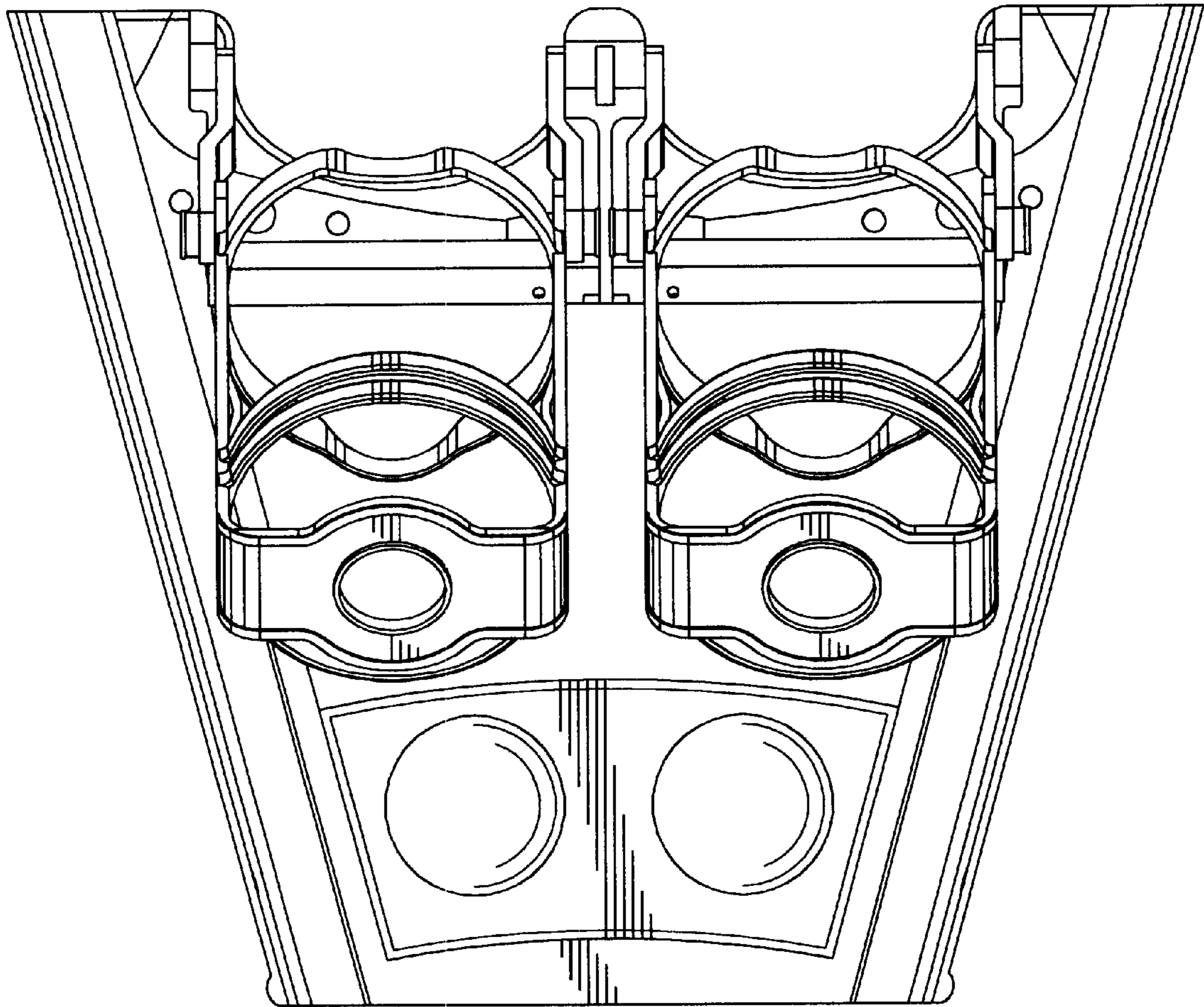


FIG. 7

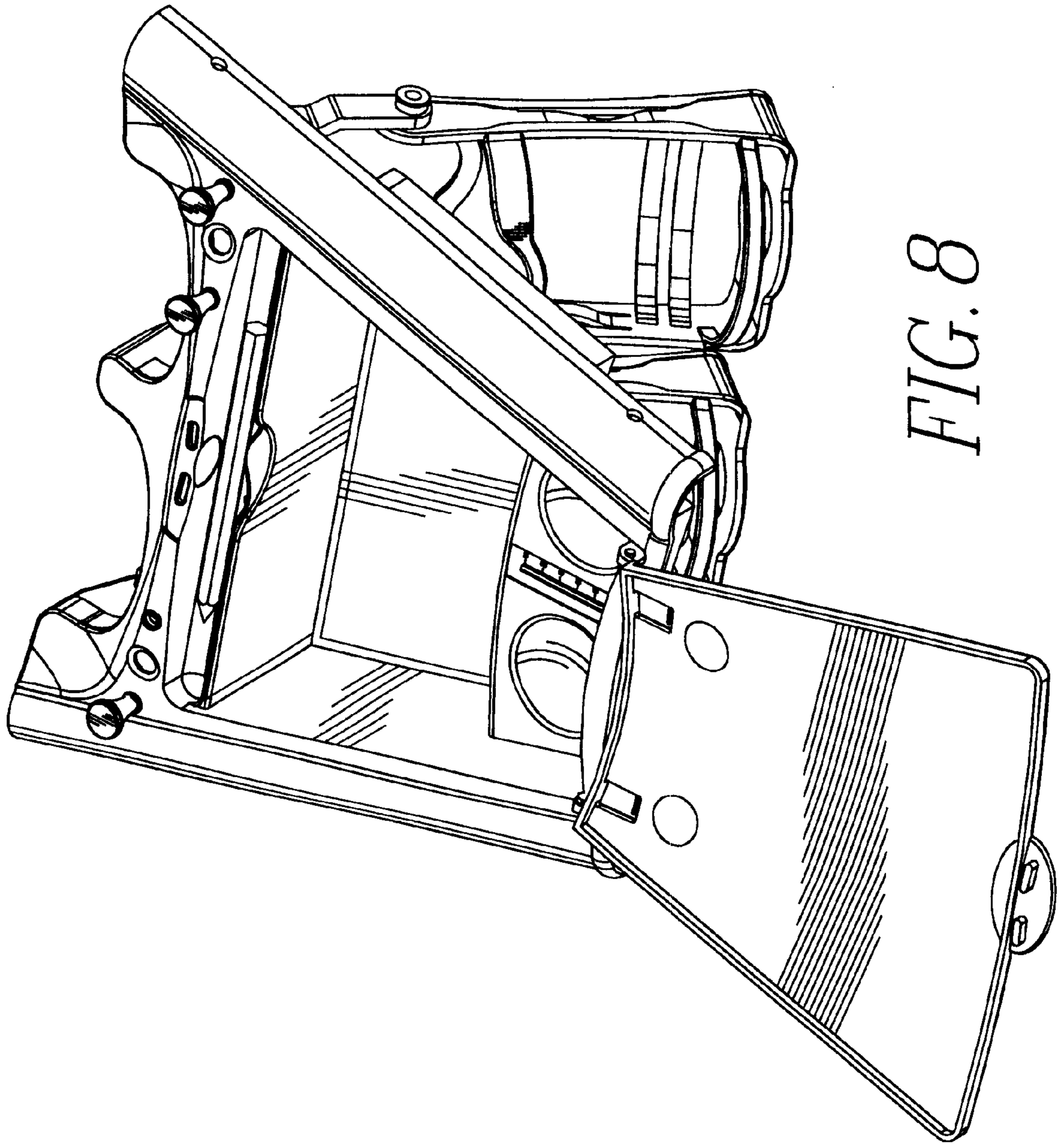


FIG. 8