



US00D462819S

(12) **United States Design Patent**  
**Burford et al.**

(10) **Patent No.:** **US D462,819 S**

(45) **Date of Patent:** **\*\* Sep. 10, 2002**

(54) **AIR COMPRESSOR WORK TABLE**

(75) Inventors: **Timothy W. Burford**, New Ulm, MN (US); **Jeffery T. Samson**, Boulder, CO (US); **Arthur Y. Wu**, Westminster, CO (US); **Dennis A. Bridges**, Arvada, CO (US)

(73) Assignee: **Coleman Powermate, Inc.**, Kearney, NE (US)

(\*\*) Term: **14 Years**

(21) Appl. No.: **29/145,038**

(22) Filed: **Jul. 13, 2001**

(51) **LOC (7) Cl.** ..... **12-02**

(52) **U.S. Cl.** ..... **D34/14; D34/17**

(58) **Field of Search** ..... D34/12-27; D15/7-9; 417/234; 280/79.3, 79.2, 79.11, 47.19, 47.34, 47, 35; 108/59; 312/280; D6/436

(56) **References Cited**

**U.S. PATENT DOCUMENTS**

1,712,851 A \* 5/1929 Sovatkin ..... 417/234  
D188,099 S \* 6/1960 Barret ..... D34/18

3,478,958 A \* 11/1969 Hinck, III ..... 417/234  
D220,095 S \* 3/1971 Salsgiver ..... D34/19  
D302,064 S \* 7/1989 Delmerico ..... D34/20  
D332,613 S \* 1/1993 Keller ..... D15/9

\* cited by examiner

*Primary Examiner*—Kay H. Chin

(74) *Attorney, Agent, or Firm*—Leydig, Voit & Mayer, Ltd.

(57) **CLAIM**

The ornamental design for an air compressor work table, as shown.

**DESCRIPTION**

FIG. 1 is a top, left side perspective view of an air compressor work table showing our new design. The broken lines are for illustrative purposes only and form no part of the claimed design;

FIG. 2 is a front view thereof;

FIG. 3 is a rear view thereof;

FIG. 4 is a left side view thereof;

FIG. 5 is a right side view thereof;

FIG. 6 is a top view thereof; and,

FIG. 7 is a bottom view thereof.

**1 Claim, 3 Drawing Sheets**

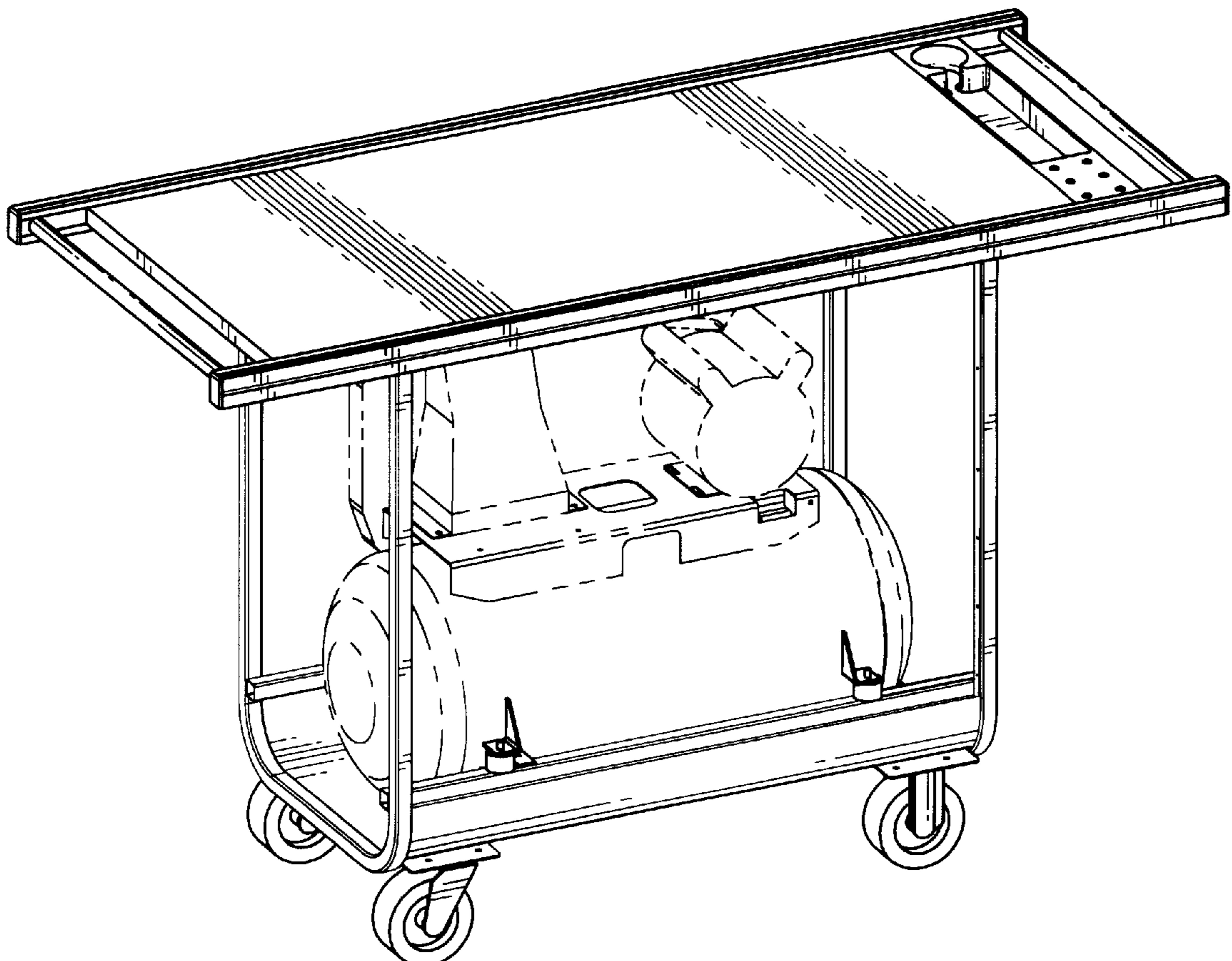


FIG. 1

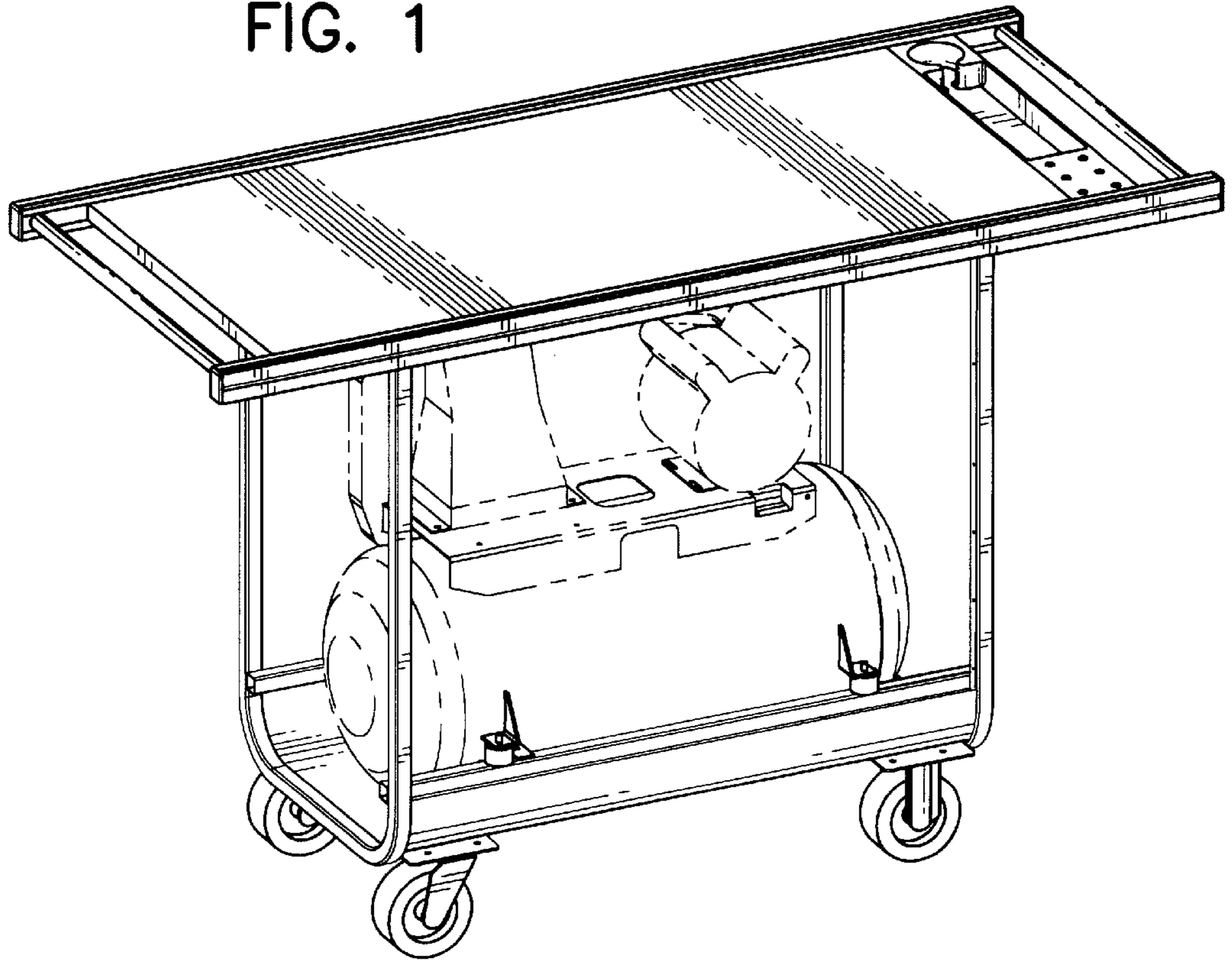


FIG. 2

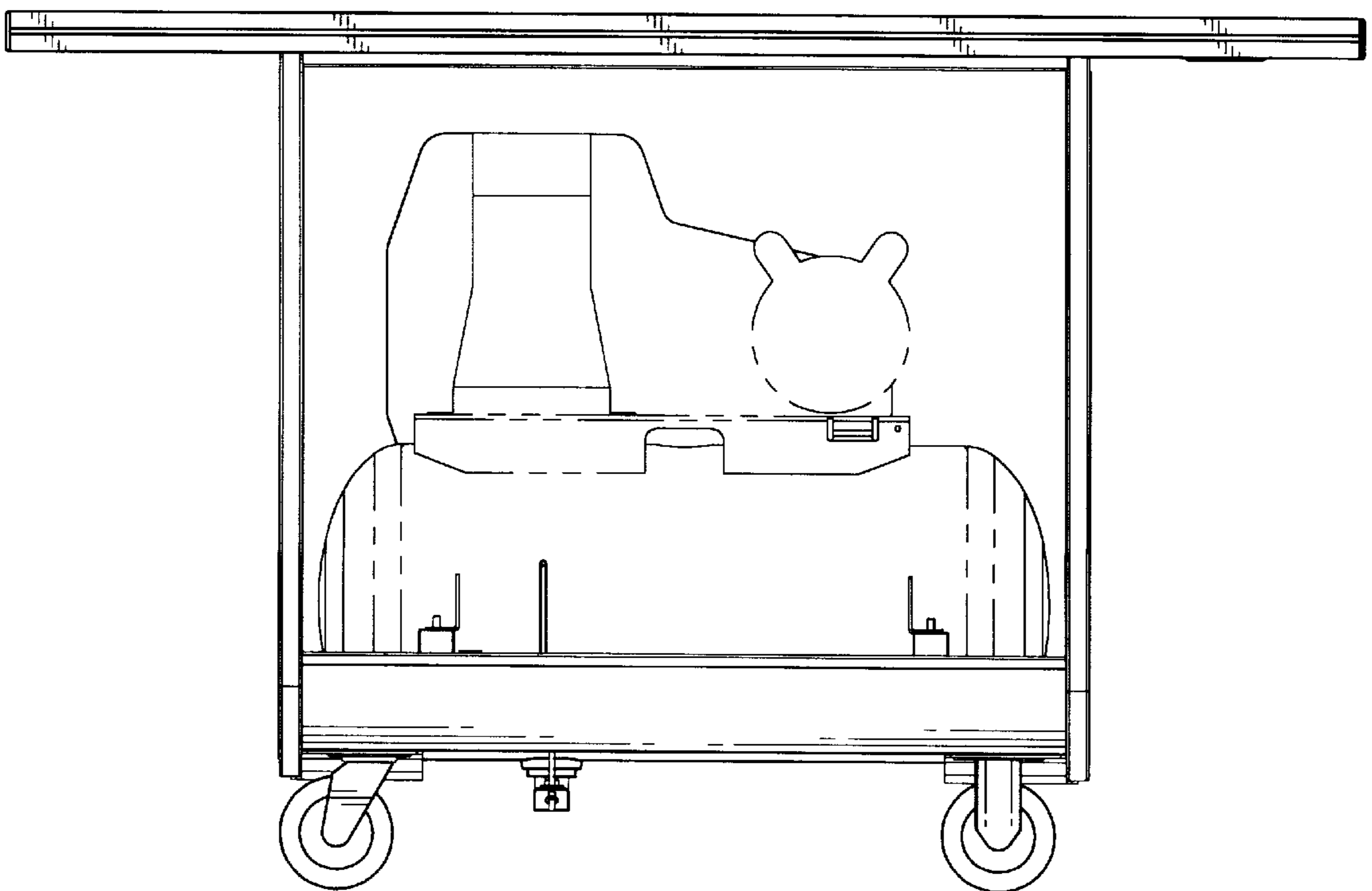


FIG. 3

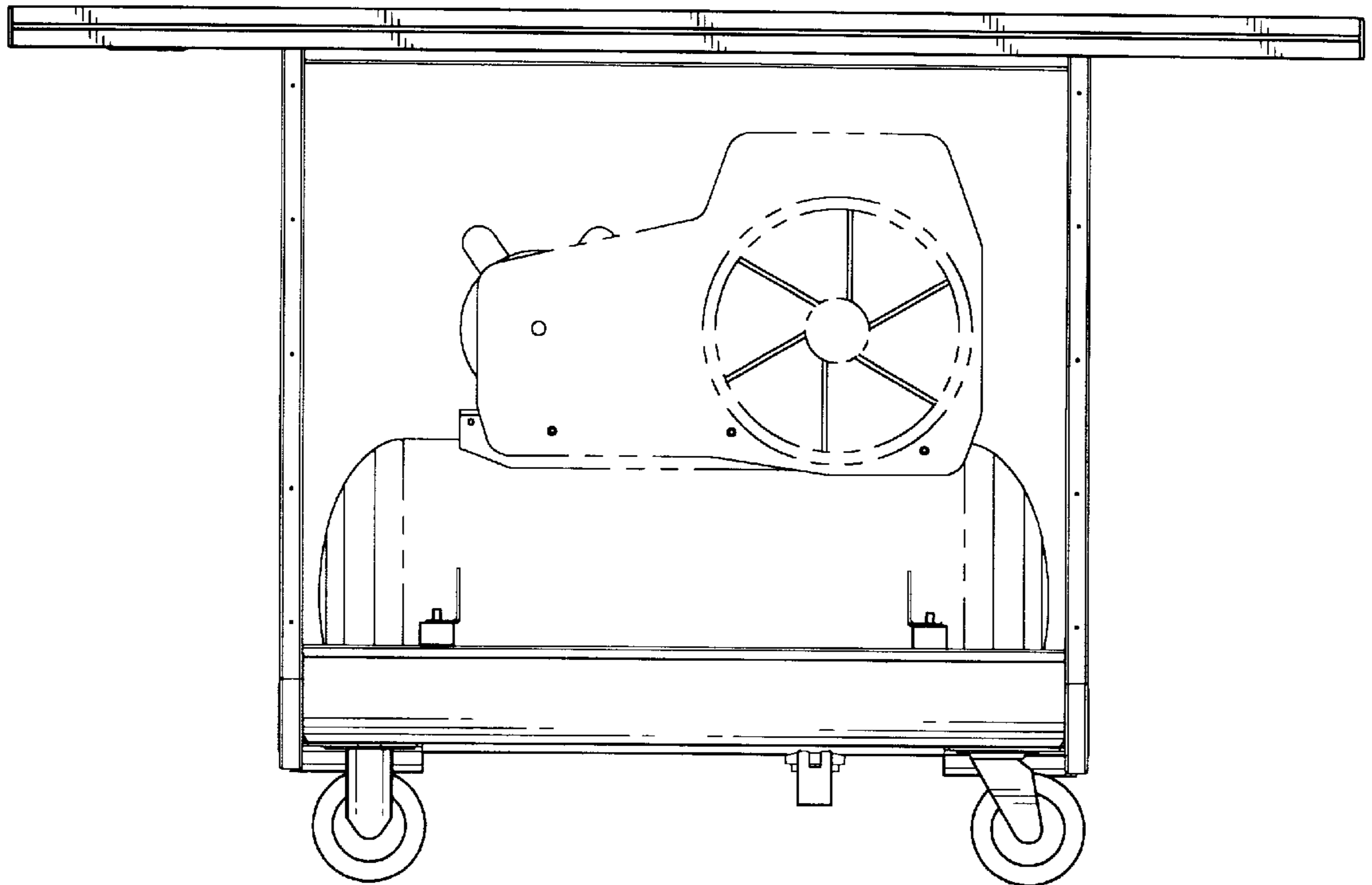


FIG. 4

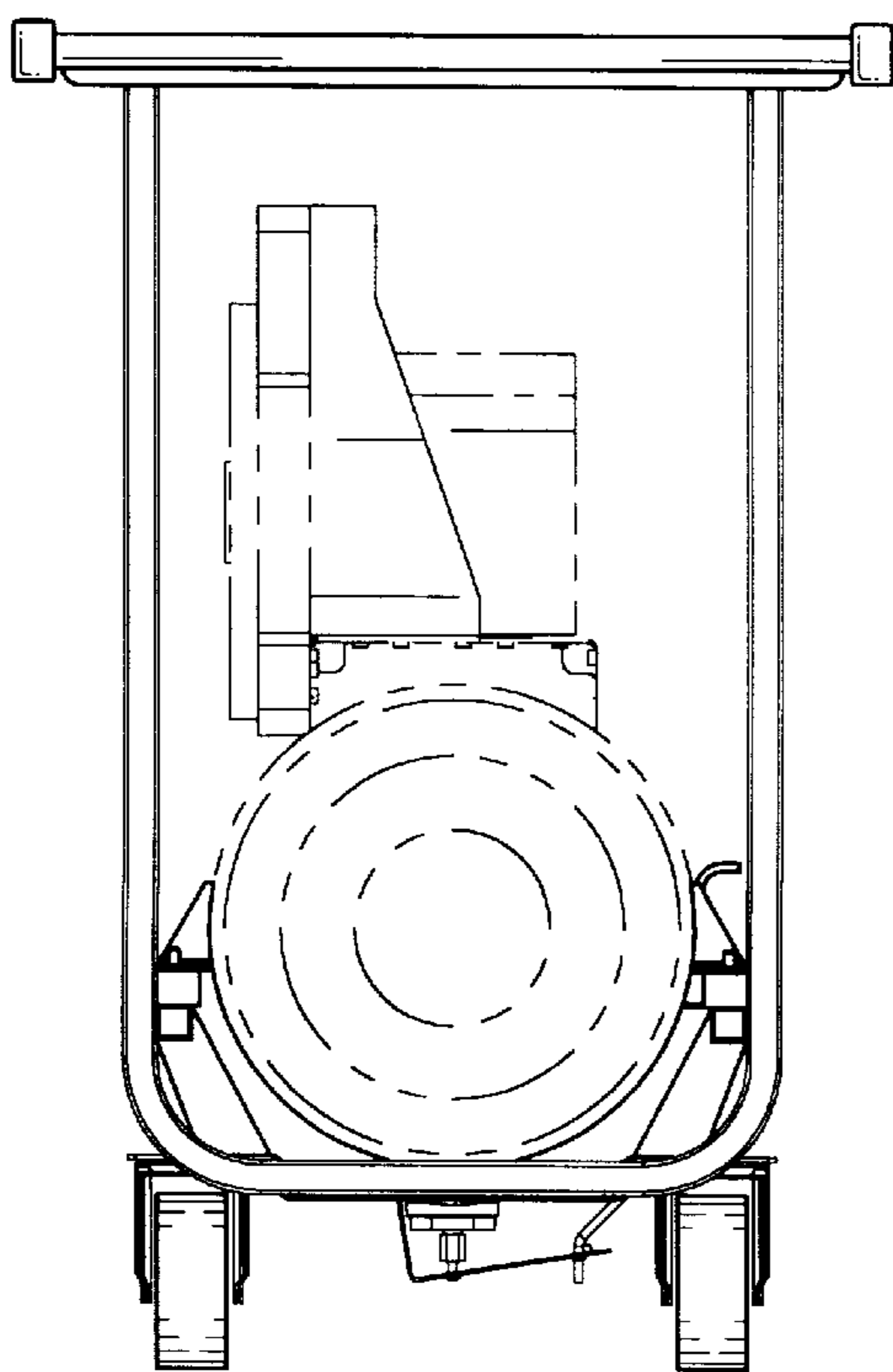


FIG. 5

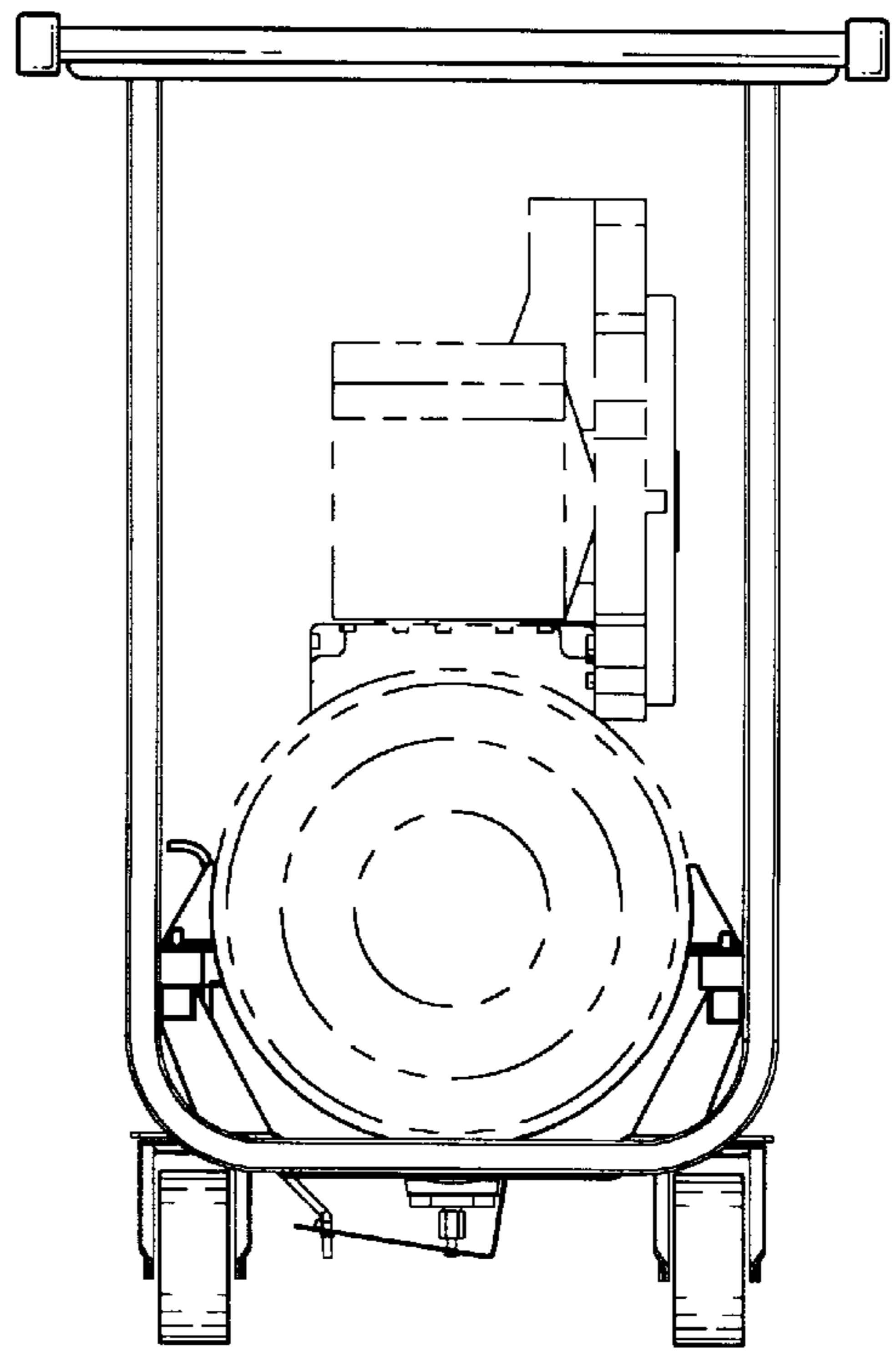


FIG. 6

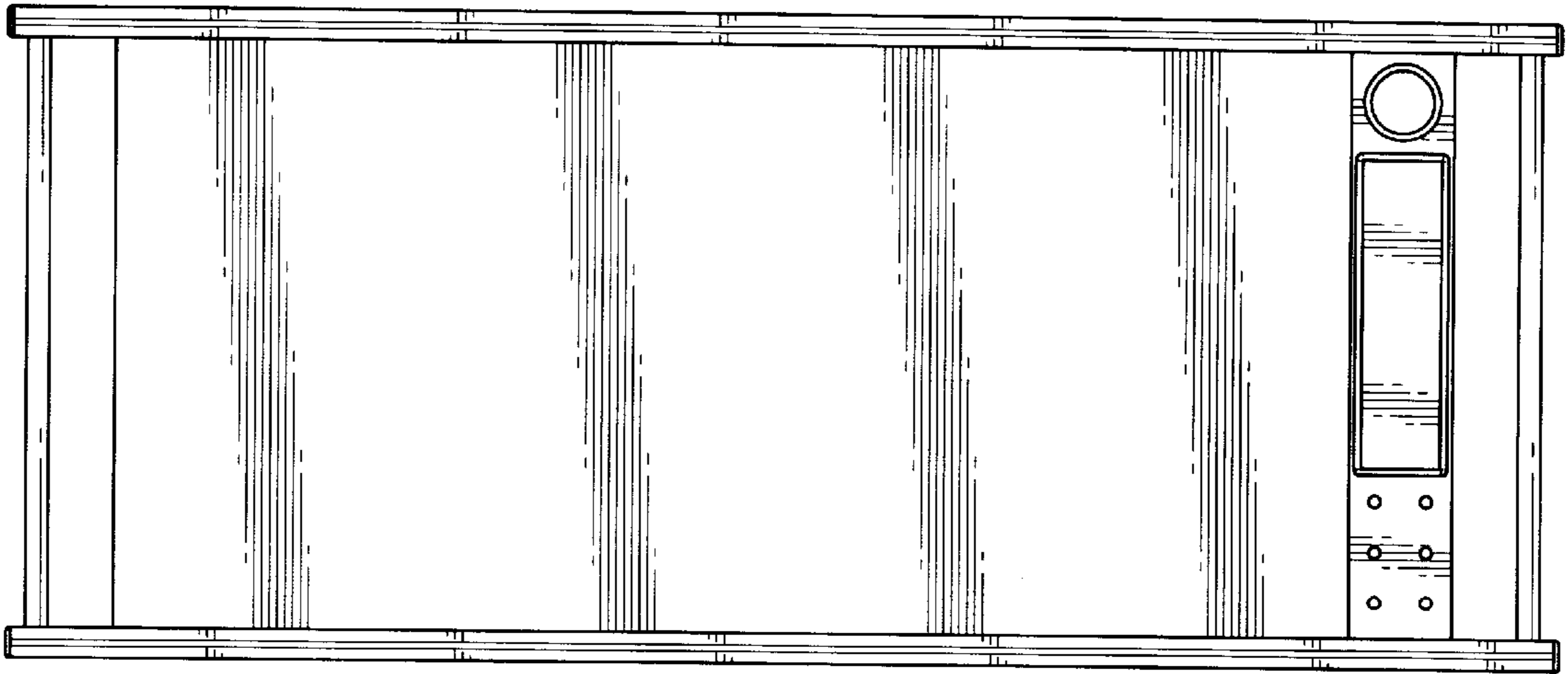


FIG. 7

