



US00D462811S

(12) **United States Design Patent**
Marasco

(10) **Patent No.:** **US D462,811 S**

(45) **Date of Patent:** **** Sep. 10, 2002**

- (54) **KNEELING DISK**
- (75) Inventor: **Angelo M. Marasco**, Waunakee, WI (US)
- (73) Assignee: **Alterra Holdings Corporation**, Portland, OR (US)
- (**) Term: **14 Years**
- (21) Appl. No.: **29/147,003**
- (22) Filed: **Aug. 21, 2001**

Related U.S. Application Data

- (62) Division of application No. 29/132,209, filed on Nov. 6, 2000, now Pat. No. Des. 449,412, which is a division of application No. 29/103,588, filed on Apr. 16, 1999, now Pat. No. Des. 434,534.
- (51) **LOC (7) Cl.** **29-02**
- (52) **U.S. Cl.** **D29/122; D29/121.1**
- (58) **Field of Search** D29/100, 101, D29/120-122; D24/190; 2/22-24, 62, 267; 182/30; 5/417-420, 657.5, 656, 907; D12/11, 316; 280/18.1; D6/330, 582, 583, 585, 592

(56) **References Cited**

U.S. PATENT DOCUMENTS

- 378,369 A * 2/1888 Hyer 5/417
- 718,517 A * 1/1903 Perry 5/420
- 889,756 A * 6/1908 Bukacek 5/420
- 1,454,401 A * 5/1923 O'Neill 182/129
- 1,896,561 A * 2/1933 Ruth 2/24
- 1,976,170 A * 10/1934 Hoover et al. 182/230
- 2,195,817 A * 4/1940 Johnson 2/24
- 2,464,341 A * 3/1949 Ostlung 280/18.1
- 2,826,423 A * 3/1958 Erickson D12/11 X
- D187,639 S * 4/1960 Timmons D7/388
- 3,044,075 A * 7/1962 Rawlings 2/22
- 4,043,424 A * 8/1977 Crain 182/230
- 4,723,322 A * 2/1988 Shelby 2/24
- 4,723,332 A * 2/1988 Pourtau et al. 7/149
- 4,751,748 A * 6/1988 Ekins 2/22

- 4,757,927 A * 7/1988 Ruttly 224/253 X
- 4,789,046 A * 12/1988 McDowall 182/230
- 4,951,333 A * 8/1990 Kaiser et al. 5/417
- 4,953,569 A * 9/1990 Lonardo 128/892
- D322,146 S * 12/1991 Anderson D29/121.1
- 5,125,479 A * 6/1992 Nemes et al. 182/230
- D335,000 S * 4/1993 Johnson D29/121.1
- 5,220,691 A * 6/1993 Wiegiers 2/24
- 5,226,384 A * 7/1993 Jordan 5/420 X
- D341,680 S * 11/1993 Levine D29/121.1
- 5,405,312 A * 4/1995 Jacobs 602/5
- 5,429,541 A * 7/1995 Landon 5/417 X
- 5,572,758 A * 11/1996 Merritt 5/420 X
- D376,481 S * 12/1996 Bidwell et al. D6/330
- D385,670 S * 10/1997 Oetting D29/121.1
- 5,794,275 A * 8/1998 Donzis 2/455
- 5,971,611 A * 10/1999 Rosengren 5/417 X
- D434,534 S * 11/2000 Marasco D29/122

* cited by examiner

Primary Examiner—Louis S. Zarfaz
Assistant Examiner—Robert A. Delehanty
(74) *Attorney, Agent, or Firm*—Foley & Lardner

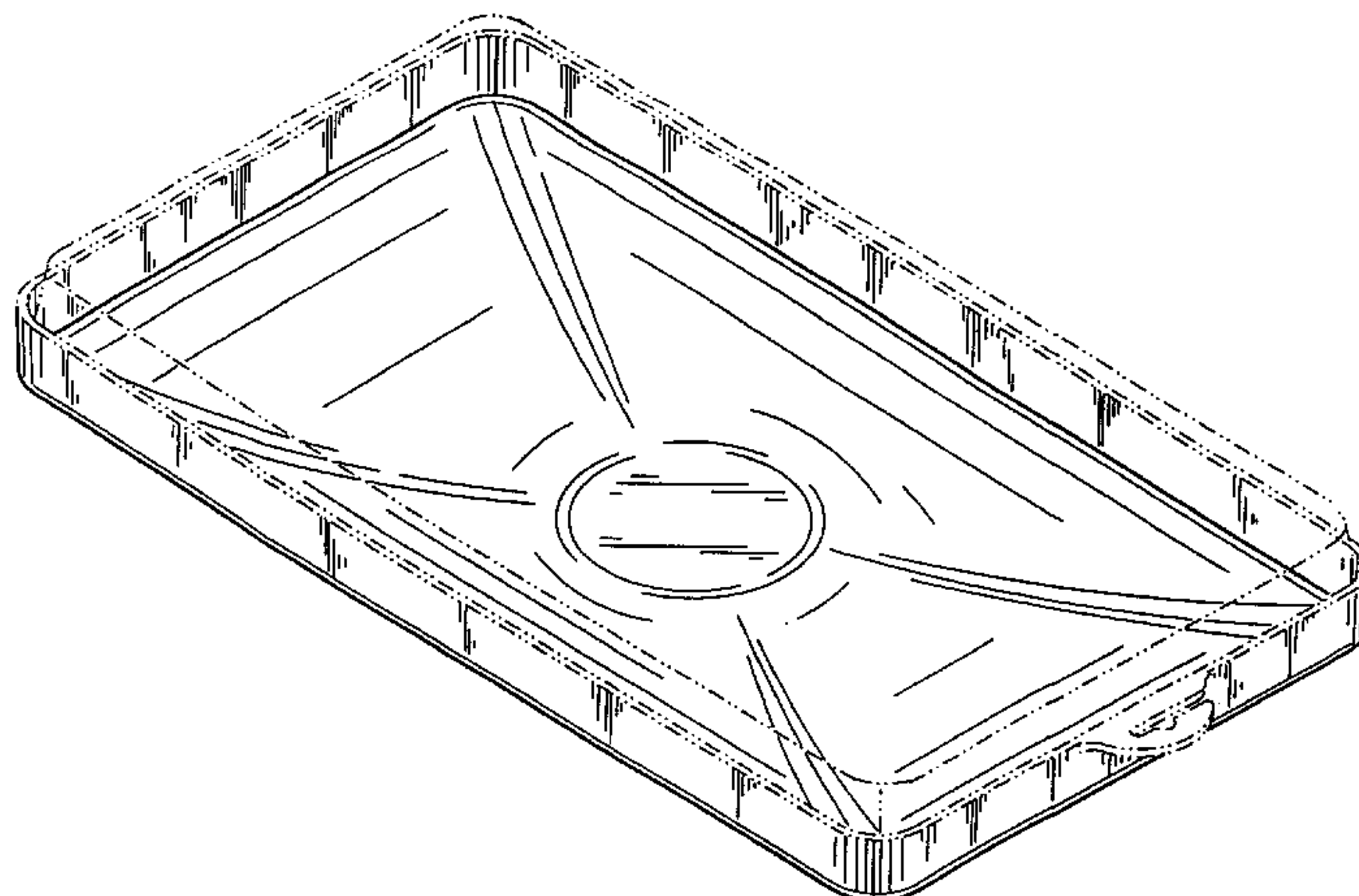
(57) **CLAIM**

I claim the ornamental design for the kneeling disk, as shown and described.

DESCRIPTION

FIG. 1 is a perspective of a kneeling disk;
 FIG. 2 is a top view of the kneeling disk shown in FIG. 1;
 FIG. 3 is a bottom view of the kneeling disk shown in FIG. 1;
 FIG. 4 is a front view of the kneeling disk shown in FIG. 1;
 FIG. 5 is a right side view of the kneeling disk shown in FIG. 1;
 FIG. 6 is a back view of the kneeling disk shown in FIG. 1;
 and,
 FIG. 7 is a left side view of the kneeling disk shown in FIG. 1.

The broken lines showing portions of the upper edge of the kneeling disk and portions of a soft cushion in FIGS. 1-7 are for illustrative purposes only and form no part of the claimed design.



1 Claim, 2 Drawing Sheets

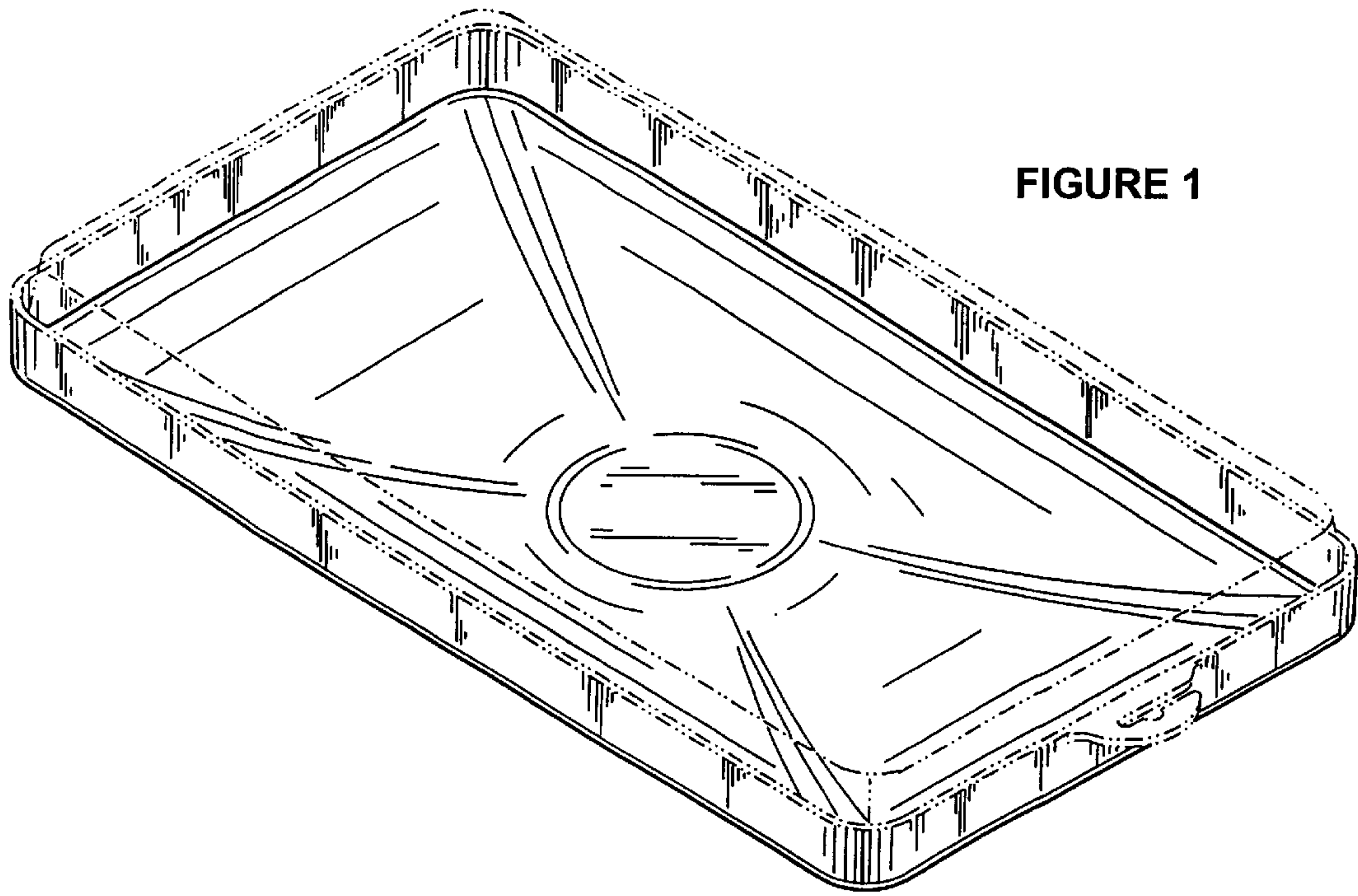


FIGURE 1

FIGURE 2

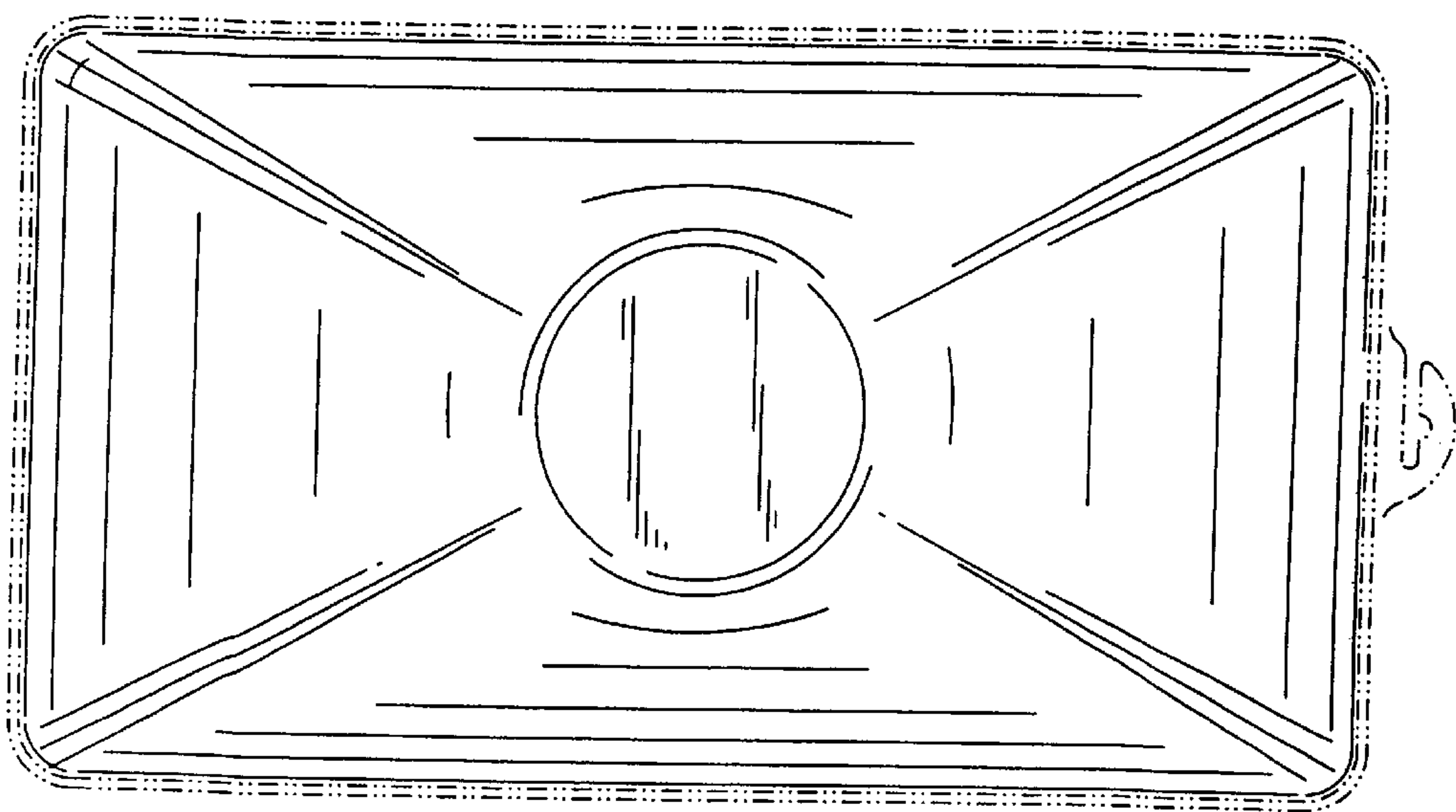


FIGURE 3

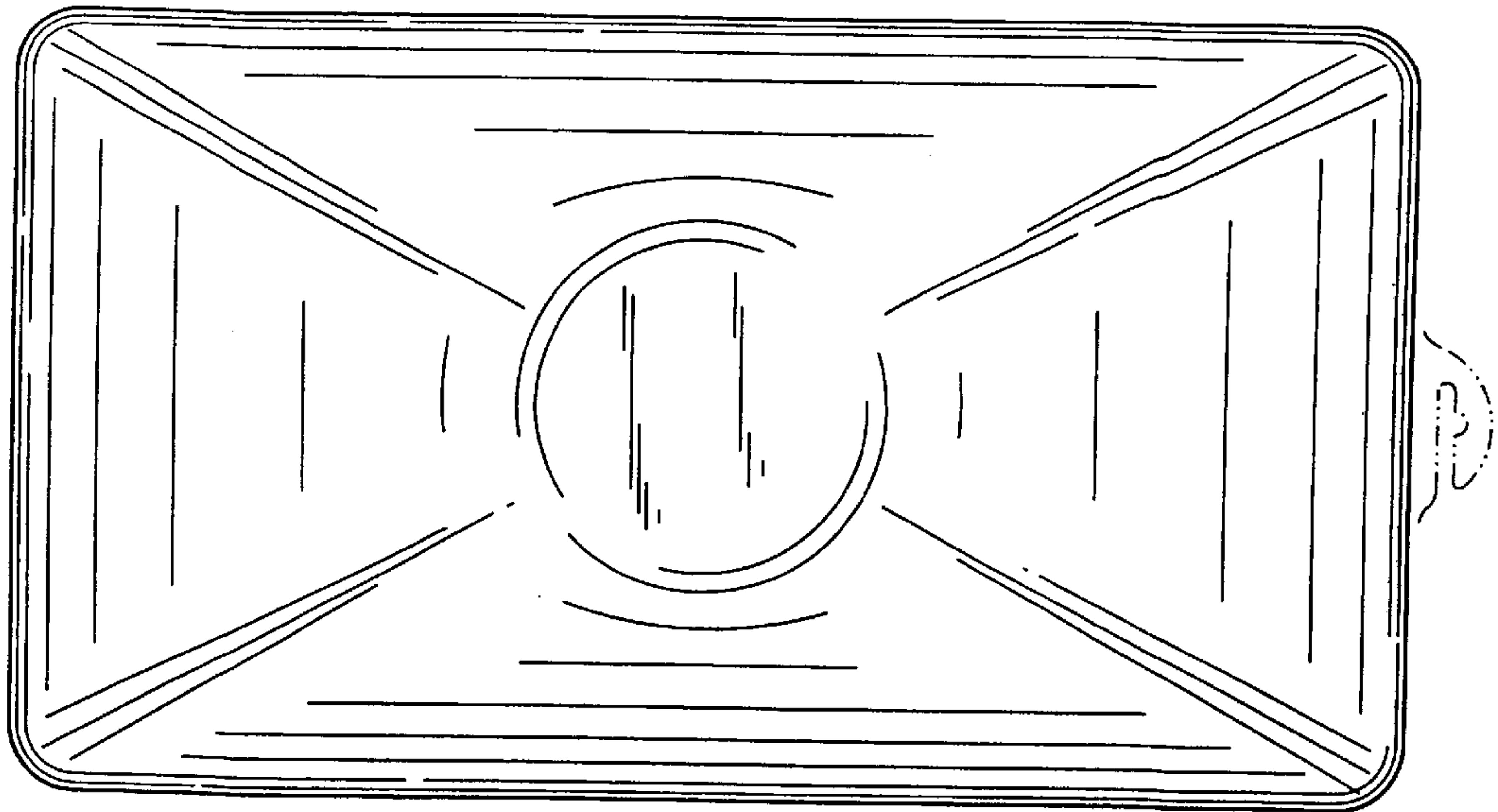


FIGURE 4

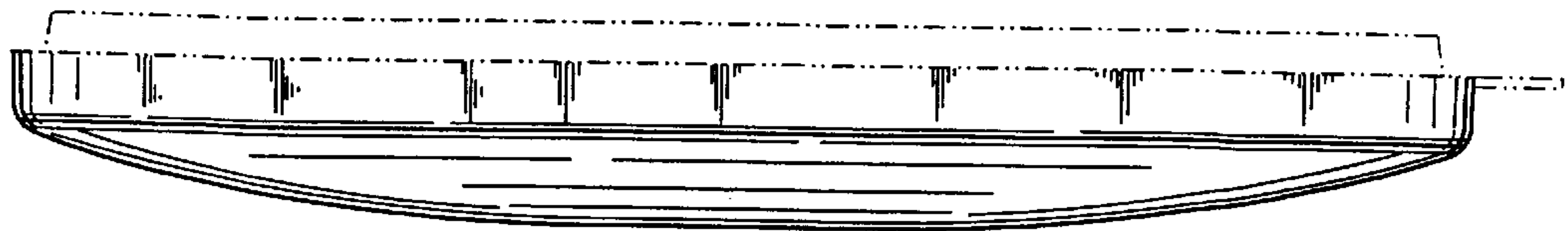


FIGURE 5

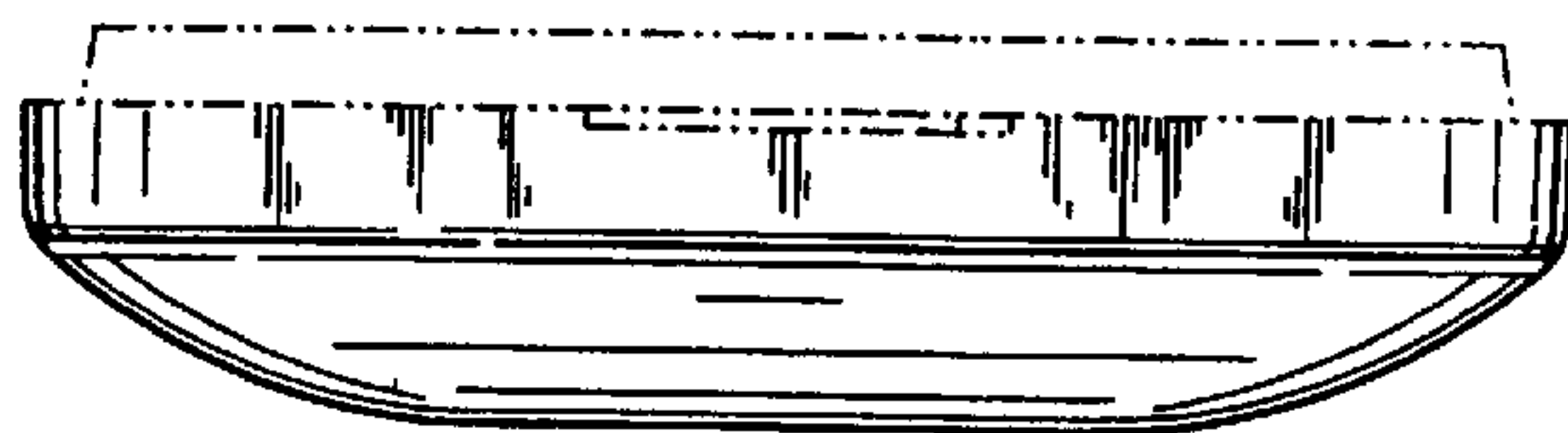


FIGURE 6

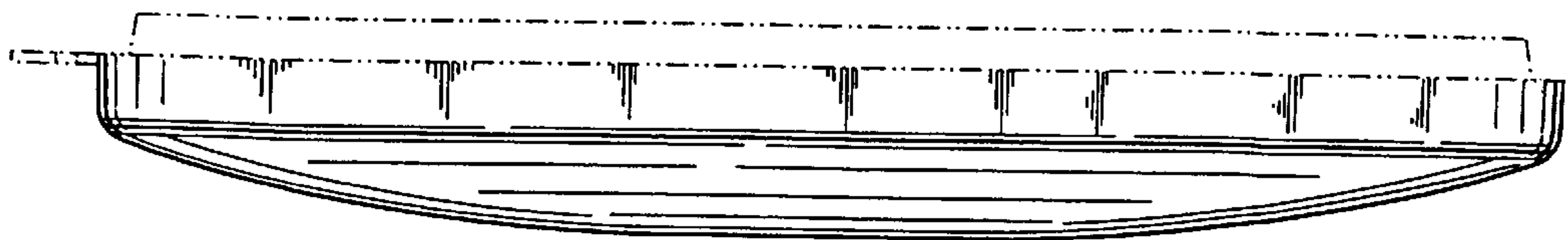


FIGURE 7

