



US00D462803S

(12) **United States Design Patent**  
**Meoli**

(10) **Patent No.:** **US D462,803 S**

(45) **Date of Patent:** **\*\* Sep. 10, 2002**

(54) **ASHTRAY**

D350,481 S \* 9/1994 DeLury ..... D27/133

(76) **Inventor:** **Rudy B. Meoli**, 8150 E. Oak Ridge Cir., Anaheim Hills, CA (US) 92808

\* cited by examiner

(\*\*) **Term:** **14 Years**

*Primary Examiner*—Jennifer Rivard  
(74) *Attorney, Agent, or Firm*—Price and Gess

(21) **Appl. No.:** **29/148,660**

(57) **CLAIM**

(22) **Filed:** **Sep. 24, 2001**

The ornamental design for the ashtray, as shown and described.

(51) **LOC (7) Cl.** ..... **27-03**

**DESCRIPTION**

(52) **U.S. Cl.** ..... **D27/135**

(58) **Field of Search** ..... D27/102, 103,  
D27/133-136, 137, 138; 131/231, 235.1,  
236, 237, 240.1, 241, 242, 256

FIG. 1 is a top perspective view of the ashtray;  
FIG. 2 is a right side plan view of the ashtray, the left side being identical;  
FIG. 3 is a top plan view of the ashtray; and,  
FIG. 4 is a front side plan view of the ashtray, the back side being identical.

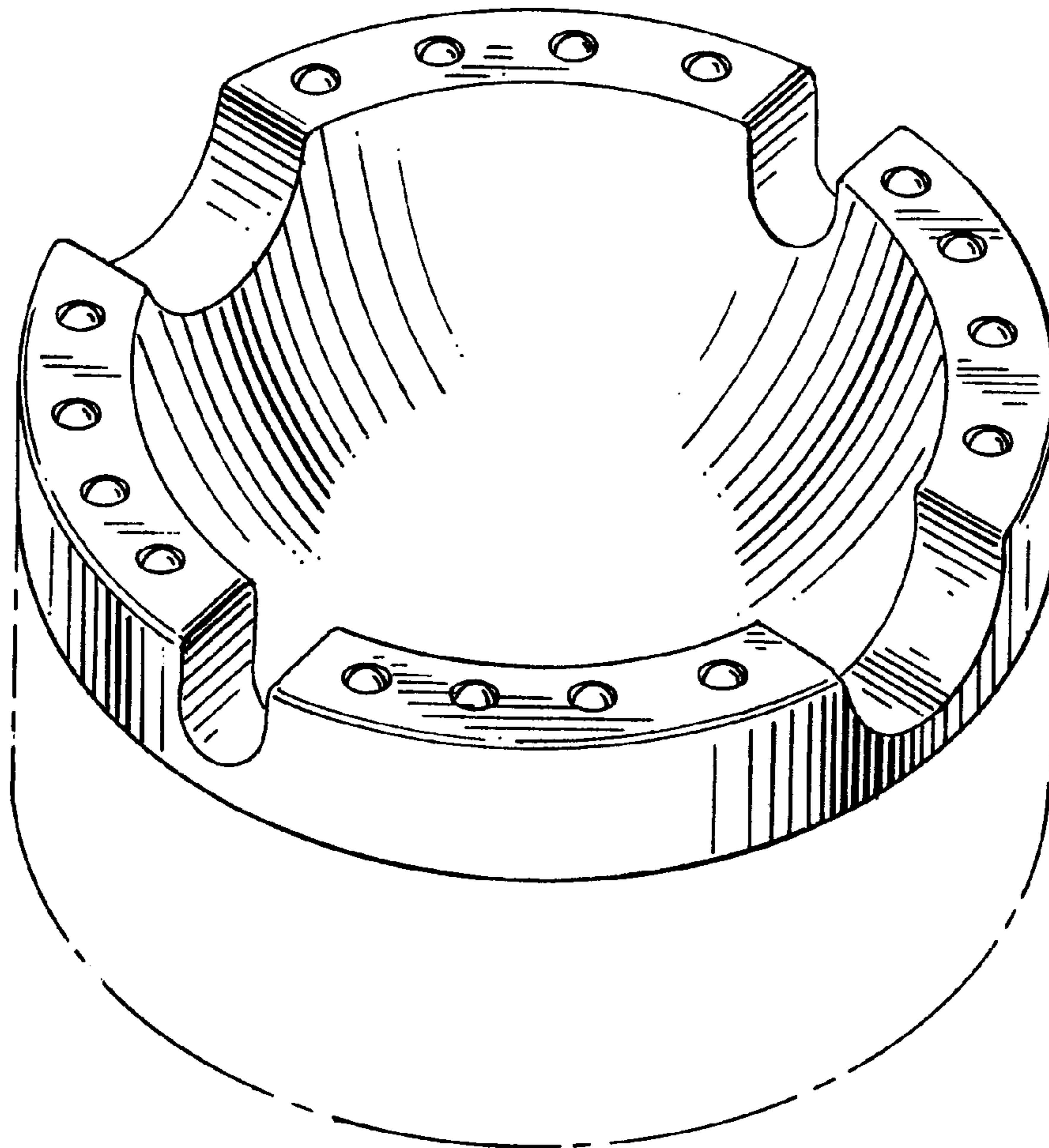
(56) **References Cited**

**U.S. PATENT DOCUMENTS**

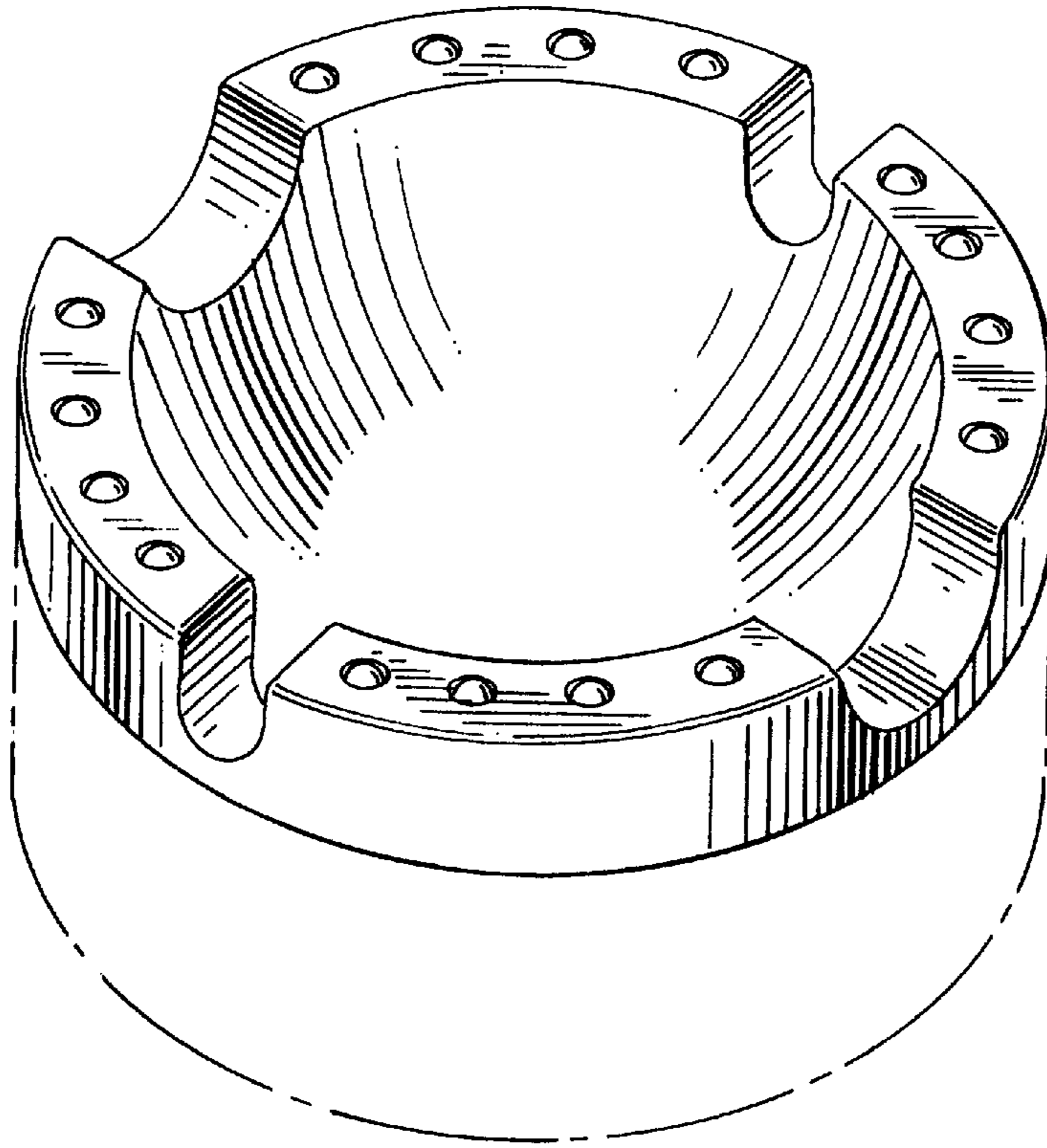
- 2,208,072 A \* 7/1940 Griffin ..... 131/236
- 2,340,618 A \* 2/1944 Schiesler ..... 131/235.1
- 2,737,956 A \* 3/1956 Casper ..... 131/235.1
- 4,312,346 A \* 1/1982 Grigg ..... 131/231

The broken line environmental showing is for illustrative purposes only and forms no part of the claimed design.

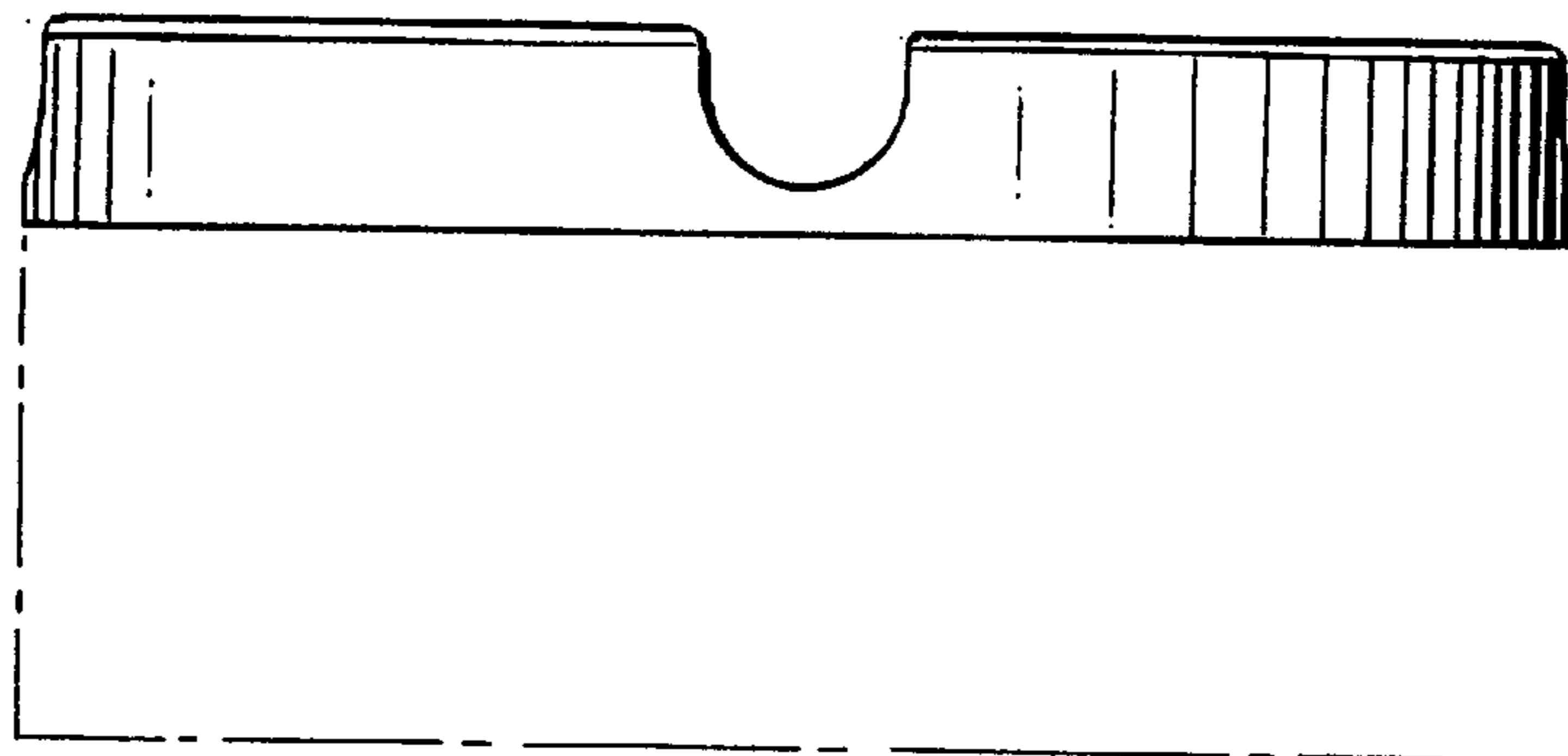
**1 Claim, 2 Drawing Sheets**

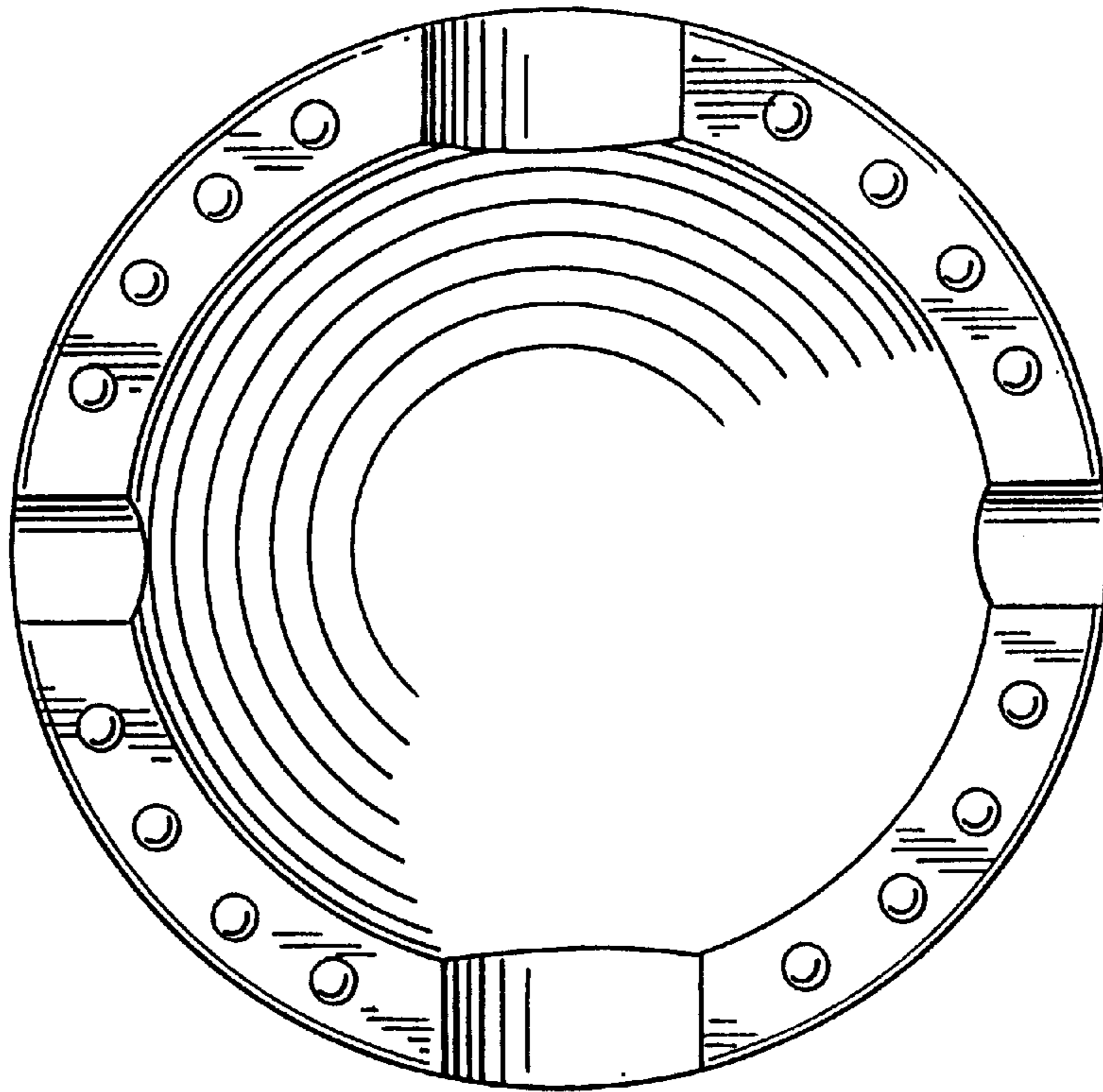


*FIG. 1*

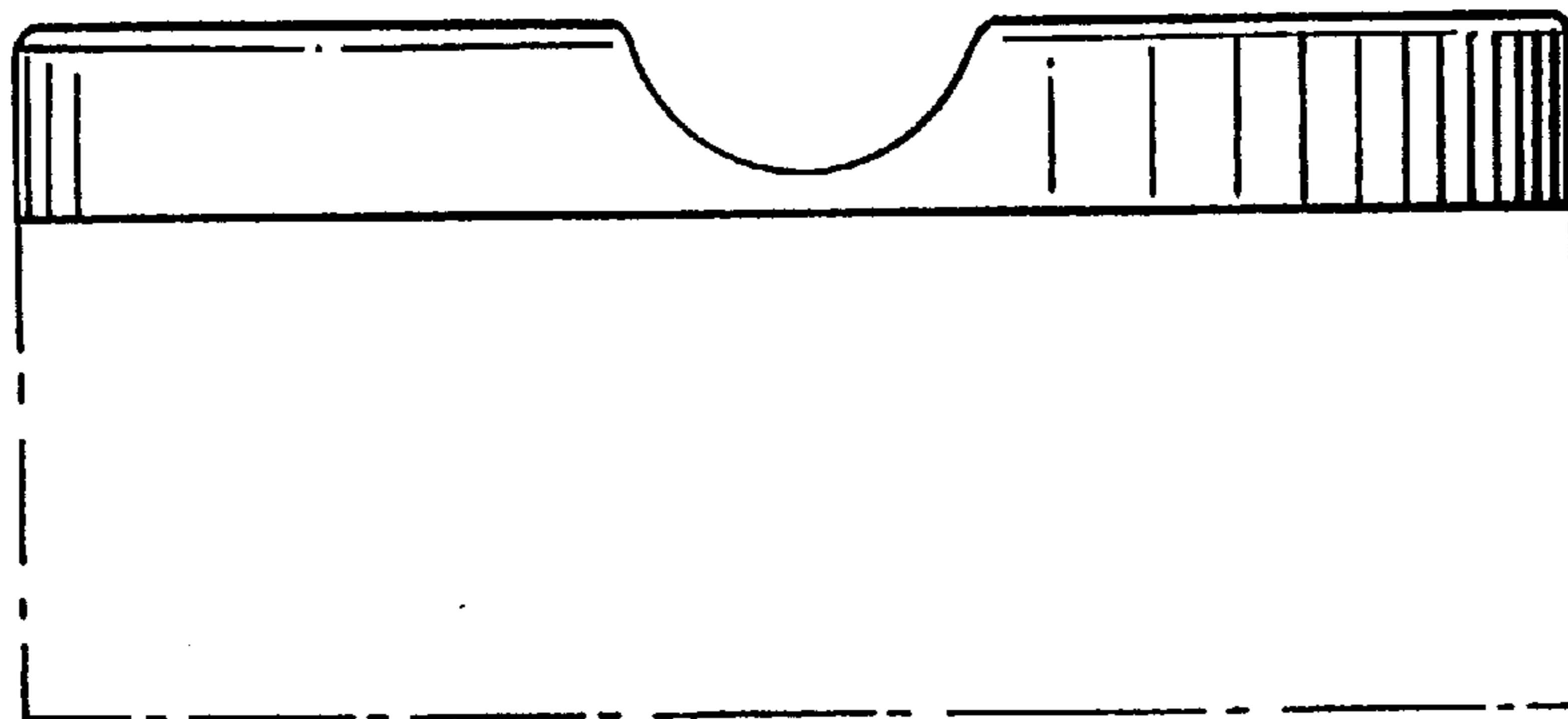


*FIG. 2*





*FIG. 3*



*FIG. 4*