



US00D462802S

(12) **United States Design Patent**
Kovacik et al.

(10) **Patent No.:** **US D462,802 S**
(45) **Date of Patent:** **** Sep. 10, 2002**

(54) **QUADRUPLE LAMP UTILITY LIGHT**

(75) Inventors: **James D. Kovacik**, Brecksville; **Paul S. Blanch**, Broadview Heights; **Joseph J. Smith**, Wooster, all of OH (US)

(73) Assignee: **Alert Safety Lite Products Co., Inc.**, Bedford Heights, OH (US)

(**) Term: **14 Years**

(21) Appl. No.: **29/151,629**

(22) Filed: **Nov. 8, 2001**

(51) **LOC (7) Cl.** **26-05**

(52) **U.S. Cl.** **D26/63**

(58) **Field of Search** D26/60-66; 362/269, 362/270, 275, 282, 285, 286, 287, 290, 376, 427, 428, 429, 430

(56) **References Cited**

U.S. PATENT DOCUMENTS

3,560,730 A	2/1971	Morton
4,598,344 A	7/1986	Nadler
5,050,055 A	9/1991	Lindsay et al.
5,541,822 A	7/1996	Bamber

5,921,658 A	7/1999	Kovacik et al.
D421,143 S	2/2000	Kovacik et al.
6,176,592 B1	1/2001	Kovacik et al.
D449,398 S	* 10/2001	Tsao D26/63
D451,226 S	* 11/2001	Leen D26/63

* cited by examiner

Primary Examiner—Marcus A. Jackson

(74) *Attorney, Agent, or Firm*—MacMillan, Sobanski & Todd, LLC

(57) **CLAIM**

We claim the ornamental design for the quadruple lamp utility light, as shown and described.

DESCRIPTION

FIG. 1 is a front perspective view of the quadruple lamp utility light of the present invention; FIG. 2 is a rear perspective view thereof; FIG. 3 is a front elevation view thereof; FIG. 4 is a rear elevation view thereof; FIG. 5 is a right side elevation view thereof, the left side being a mirror image; FIG. 6 is a top plan view thereof; and, FIG. 7 is a bottom plan view thereof.

1 Claim, 4 Drawing Sheets

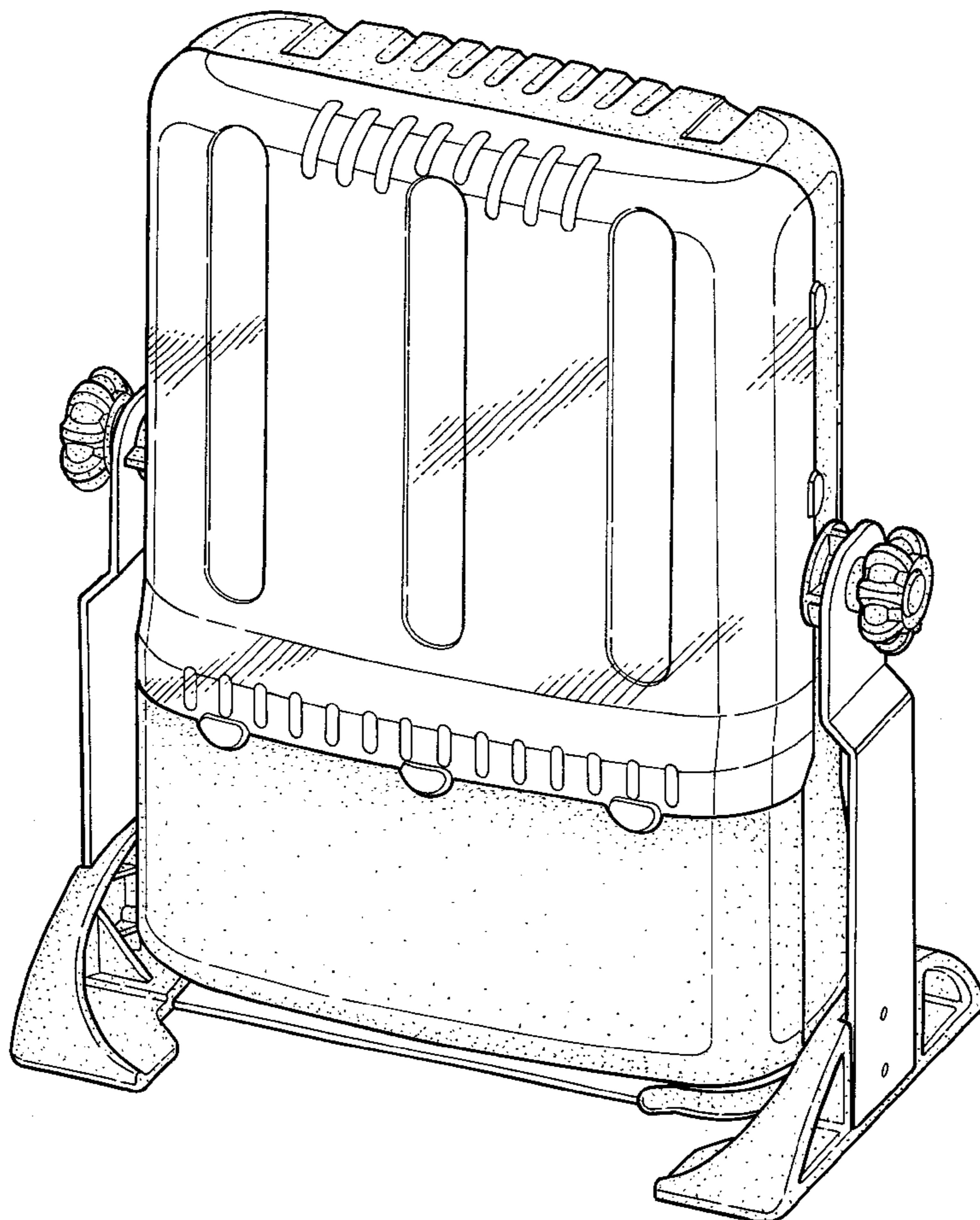


FIG-1

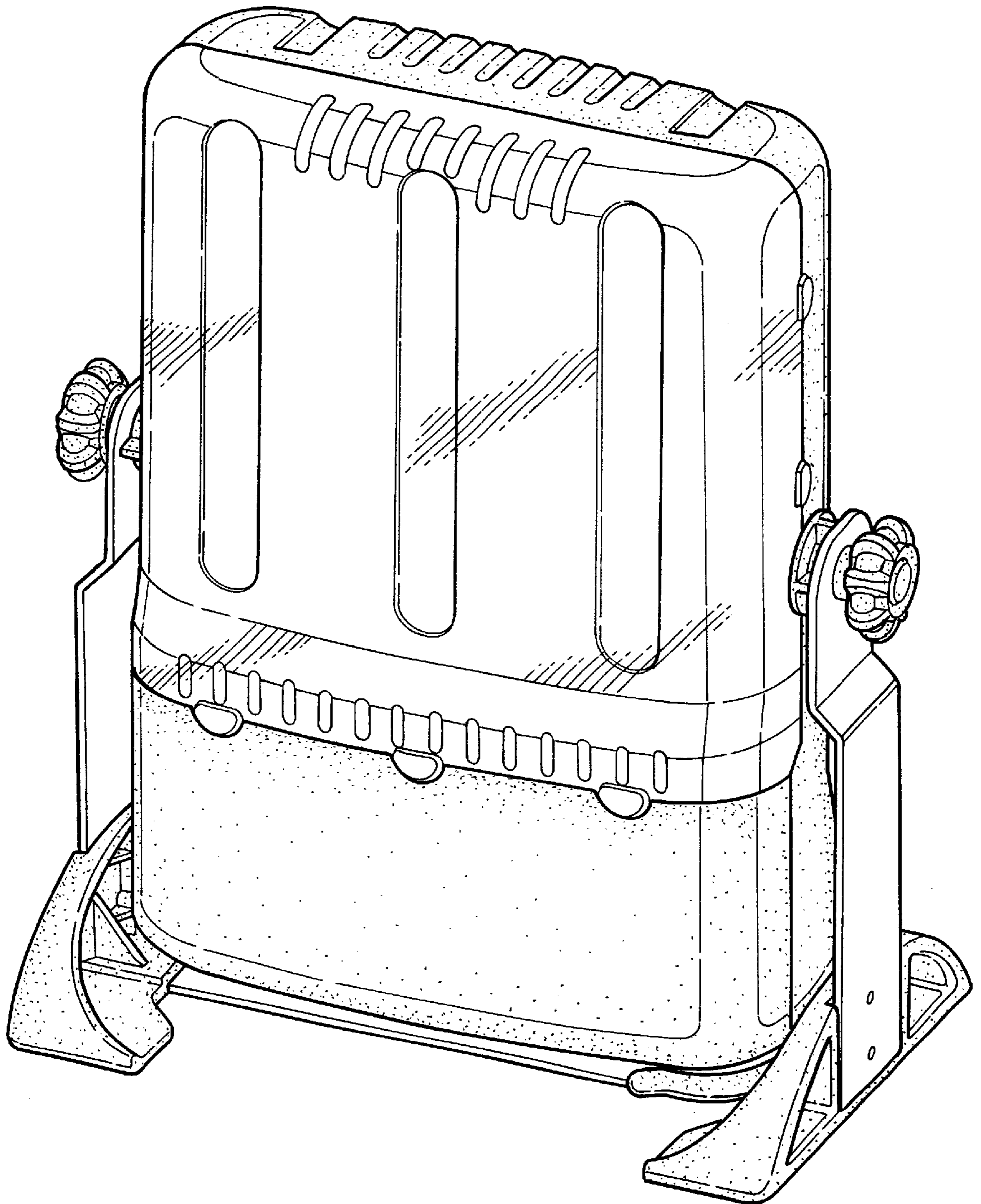
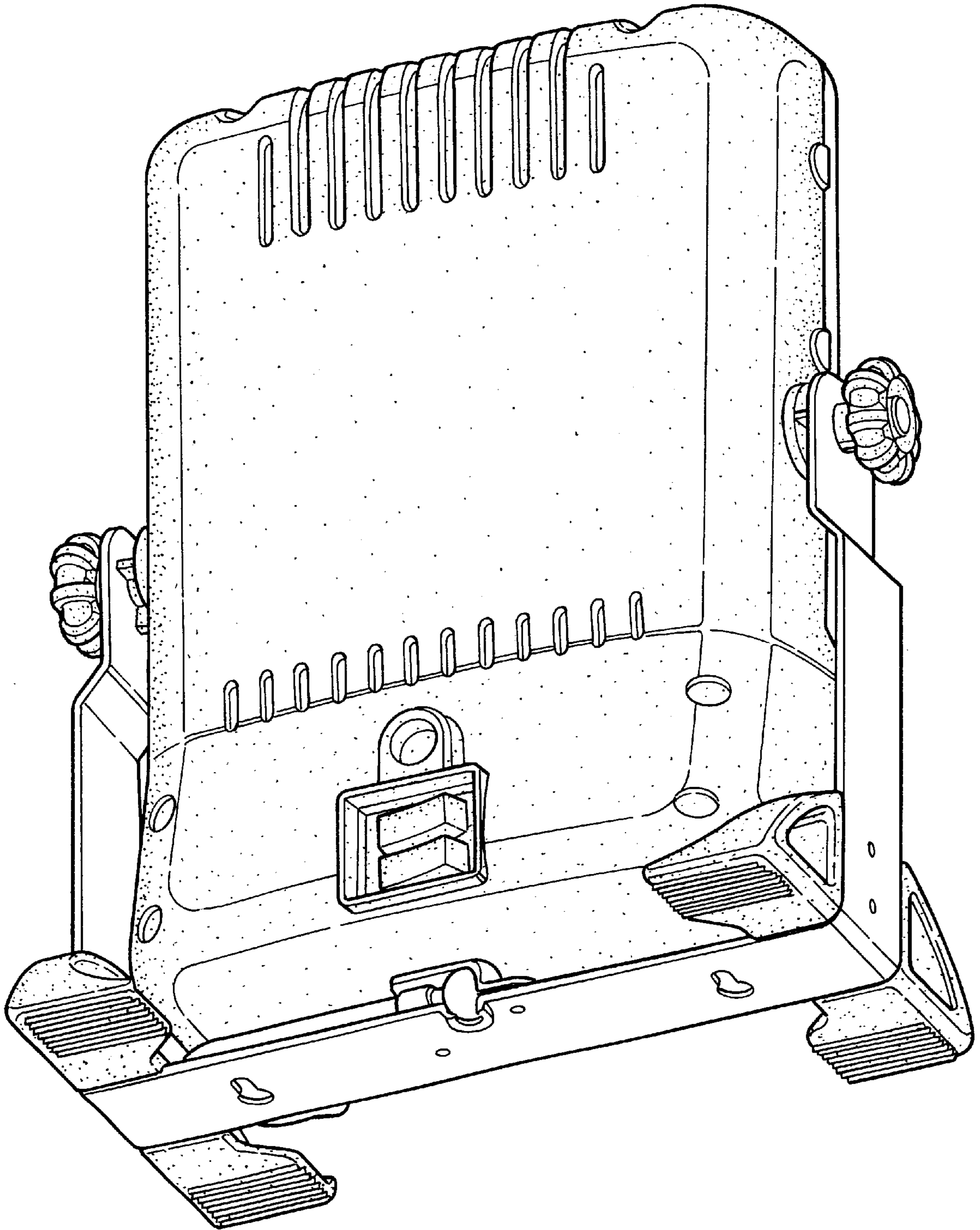


FIG -2



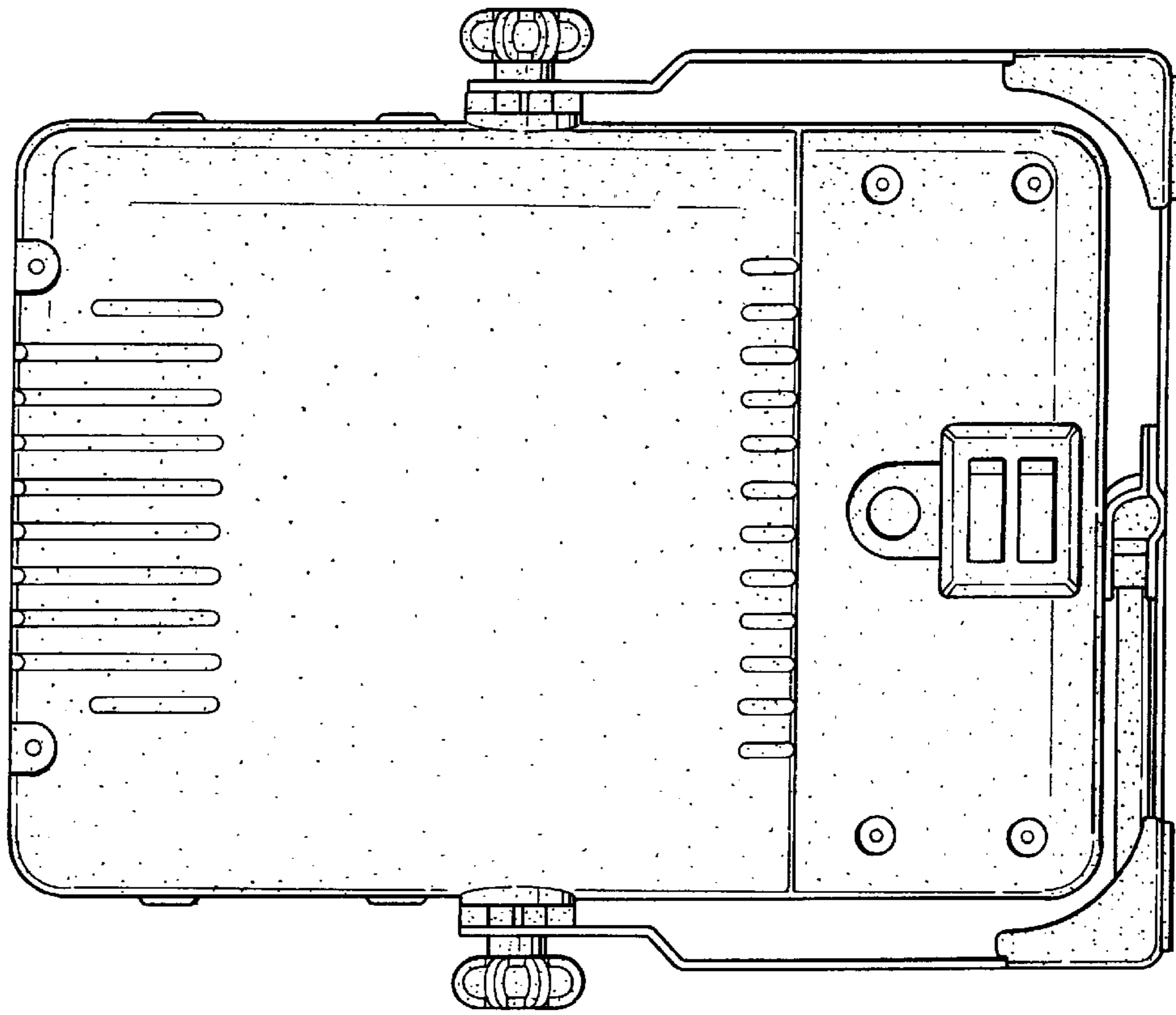


FIG - 4

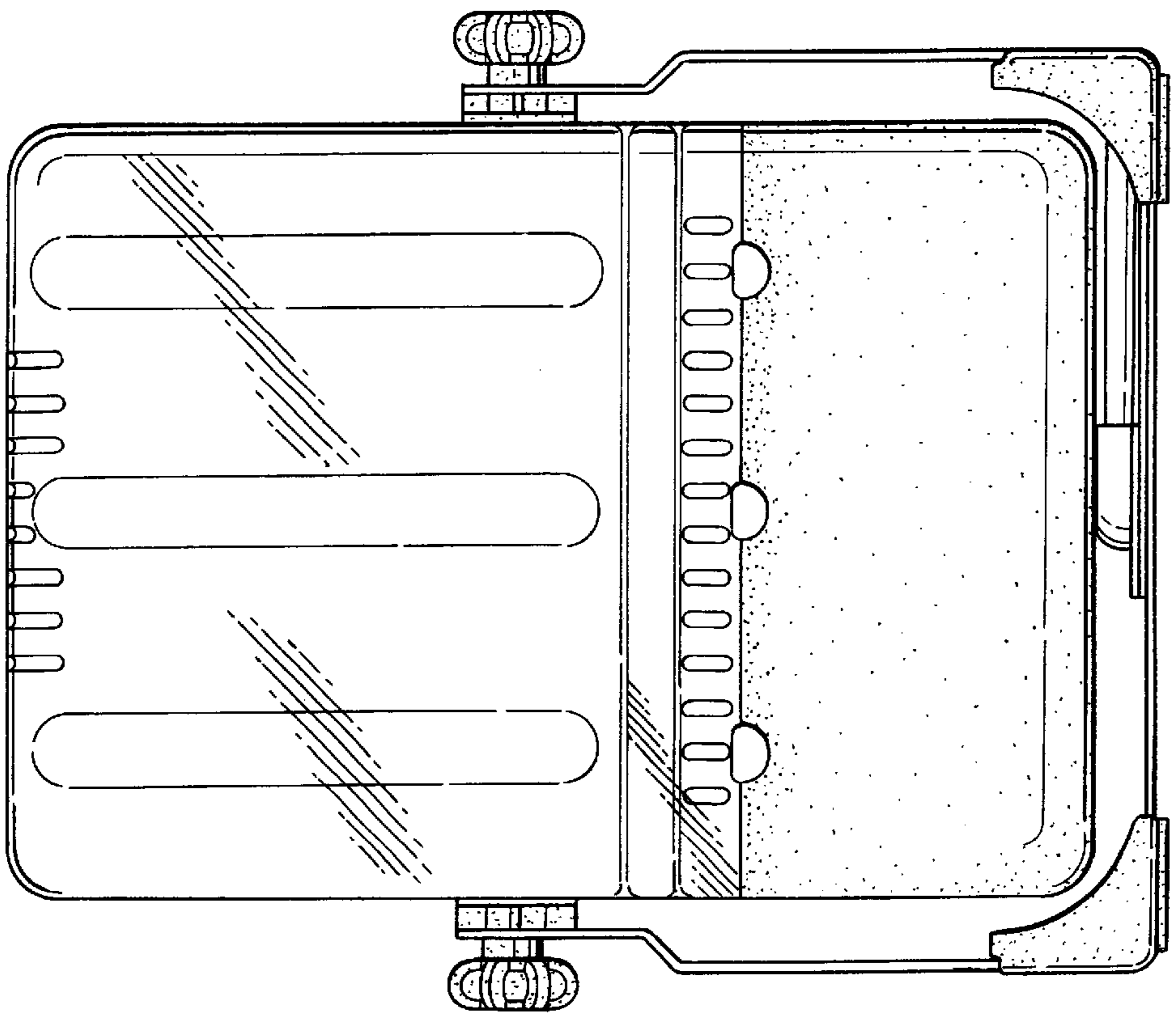


FIG - 3

FIG-6

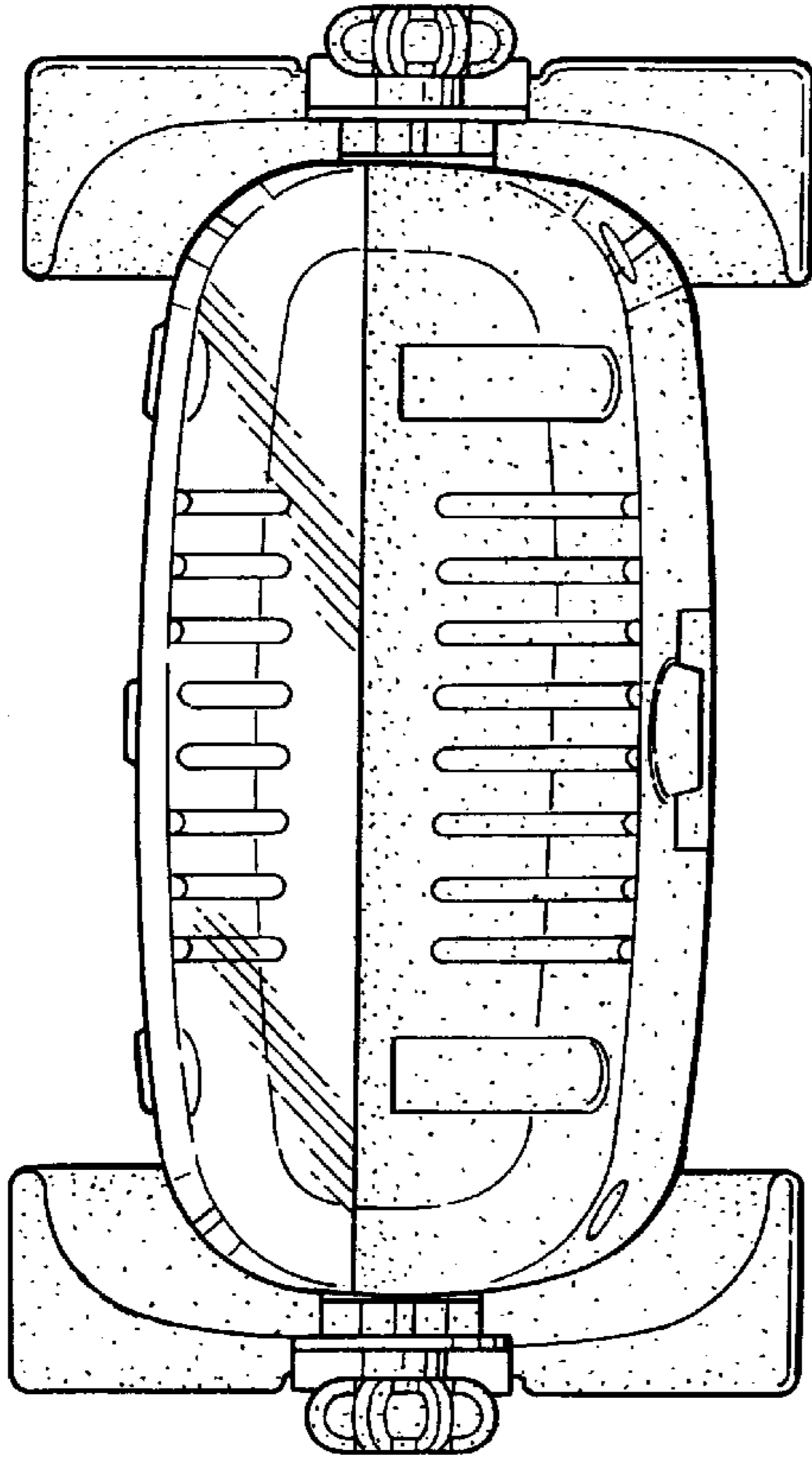


FIG-7

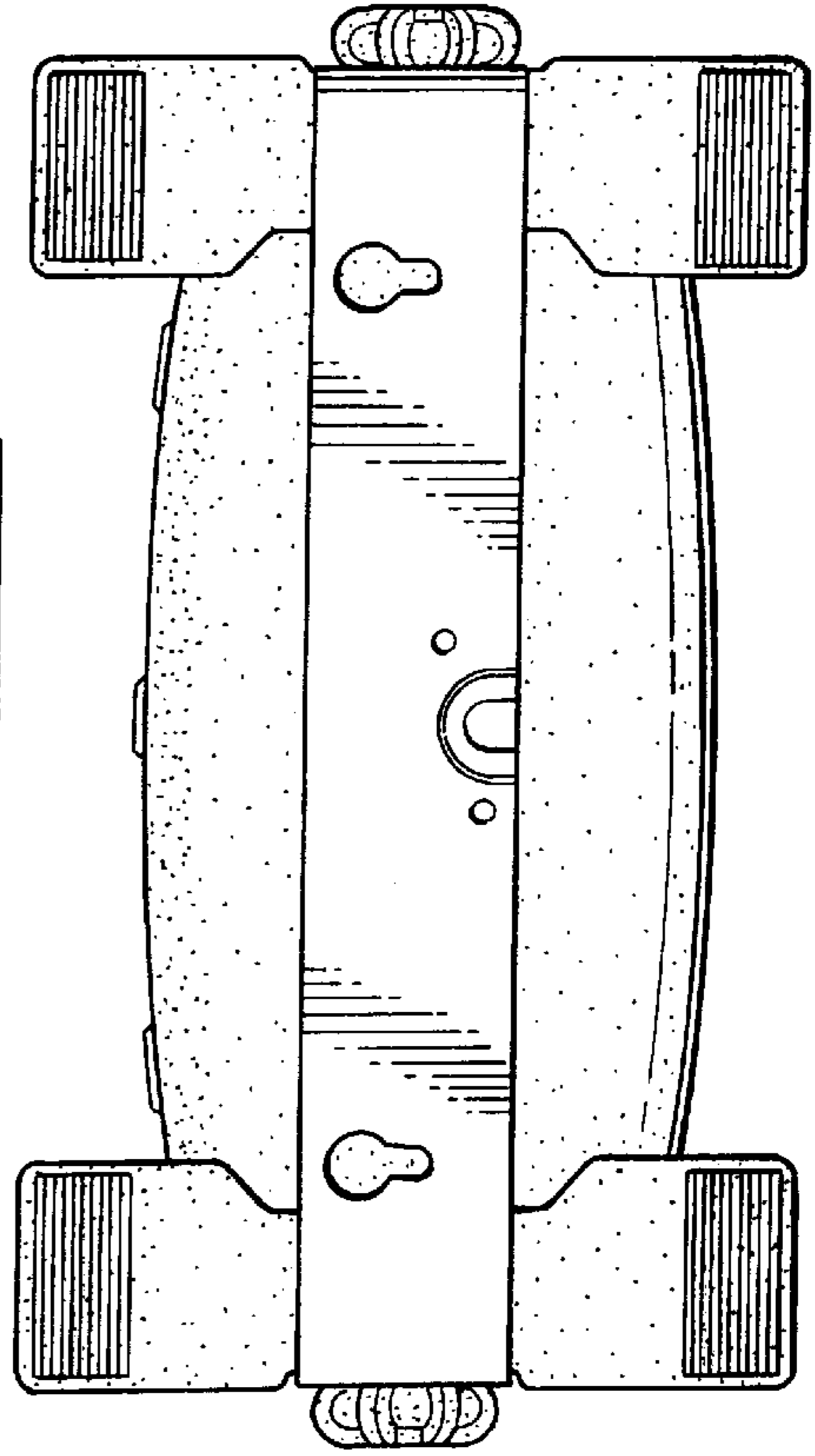


FIG-5

