



US00D462801S

(12) **United States Design Patent**
Huang

(10) **Patent No.:** **US D462,801 S**

(45) **Date of Patent:** **** Sep. 10, 2002**

(54) **LAMP DECORATION**

(76) Inventor: **Ray Huang**, P.O. Box 26-757, Taipei (TW), 106

(**) Term: **14 Years**

(21) Appl. No.: **29/149,516**

(22) Filed: **Oct. 9, 2001**

(51) **LOC (7) Cl.** **26-05**

(52) **U.S. Cl.** **D26/63**

(58) **Field of Search** D26/60, 61, 62, D26/63; 362/269, 277, 281, 283, 285, 287, 418, 419, 427, 286

(56) **References Cited**

U.S. PATENT DOCUMENTS

D446,875 S * 8/2001 Leen D26/63

D452,339 S * 12/2001 Outland et al. D26/63

* cited by examiner

Primary Examiner—Marcus A. Jackson

(74) *Attorney, Agent, or Firm*—Rosenberg, Klein & Lee

(57) **CLAIM**

The ornamental design for a lamp decoration, as shown and described.

DESCRIPTION

FIG. 1 is the perspective view of a “lamp decoration” showing my new design;

FIG. 2 is the front view thereof;

FIG. 3 is the rear view thereof;

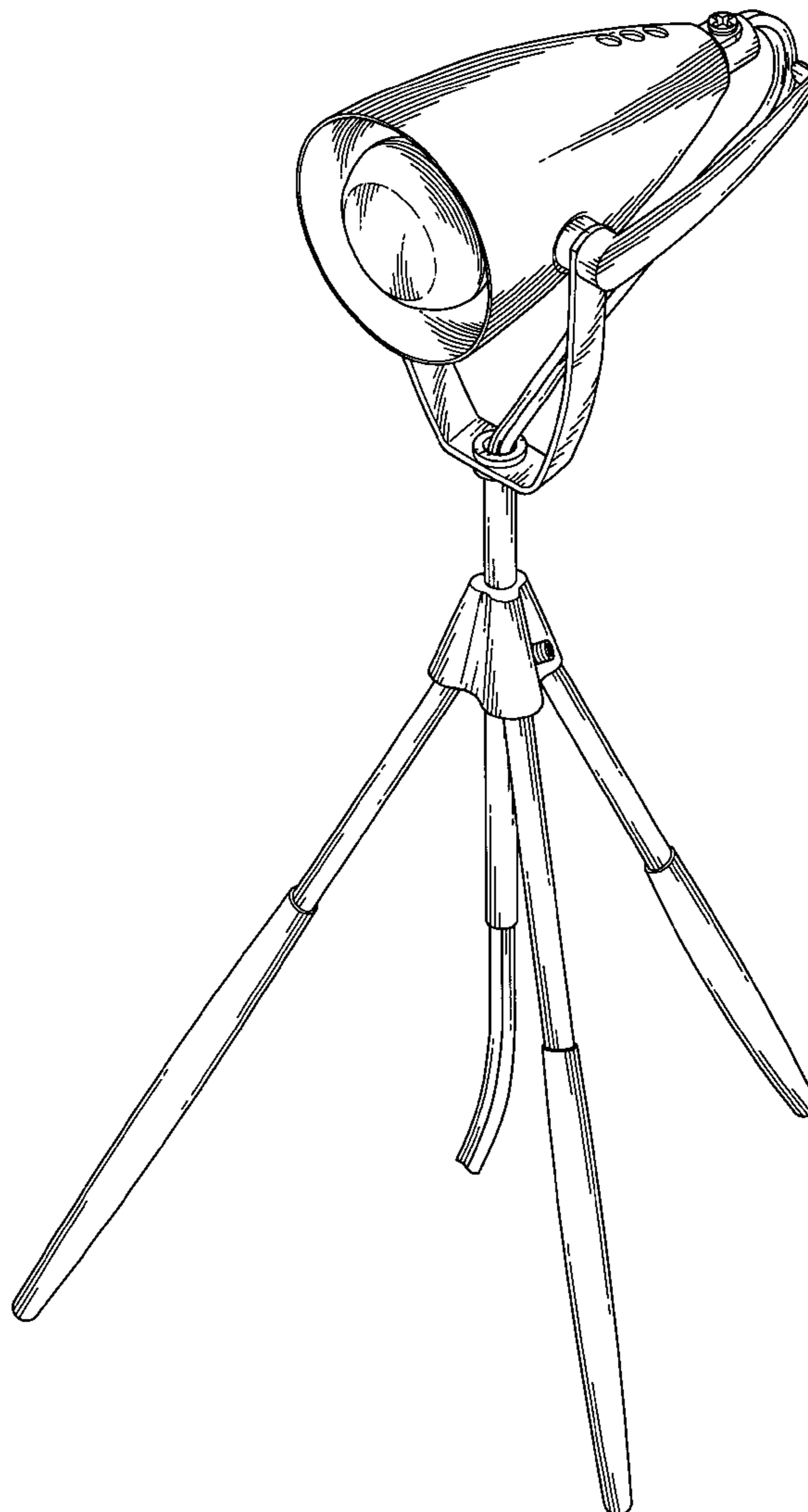
FIG. 4 is the left side view thereof;

FIG. 5 is the right side view thereof;

FIG. 6 is the top view thereof; and,

FIG. 7 is the bottom view thereof.

1 Claim, 7 Drawing Sheets



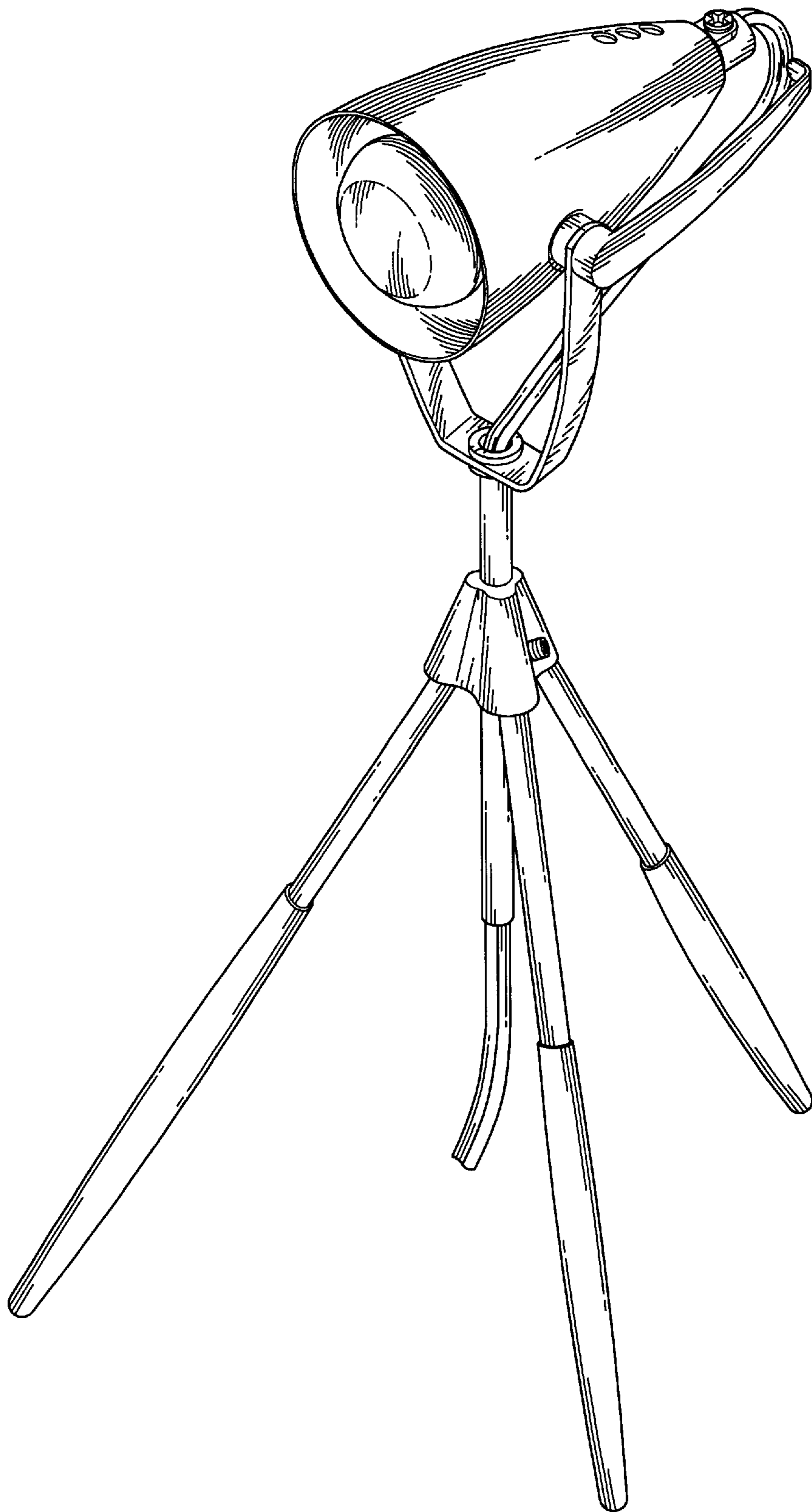


FIG. 1

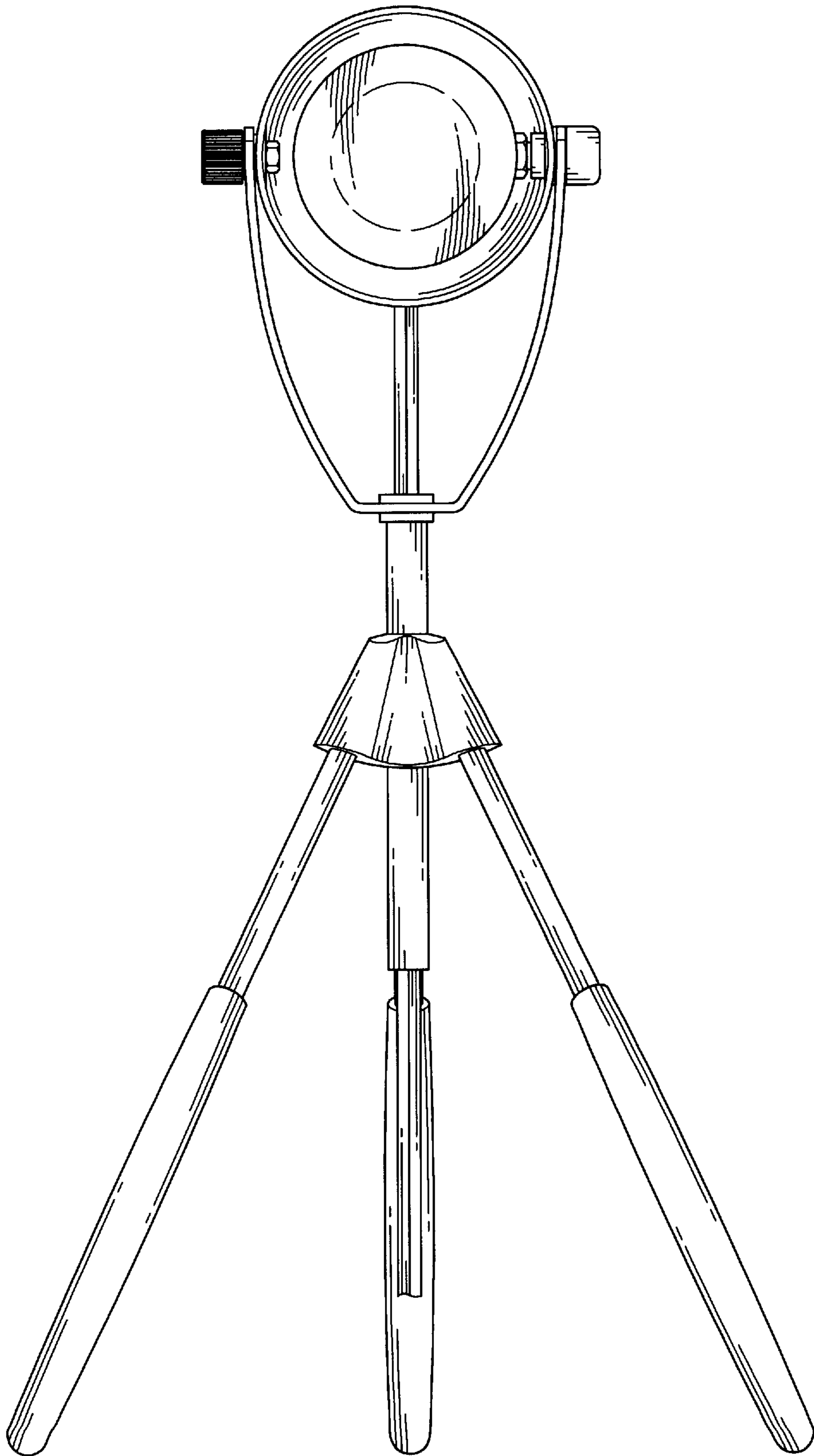


FIG. 2

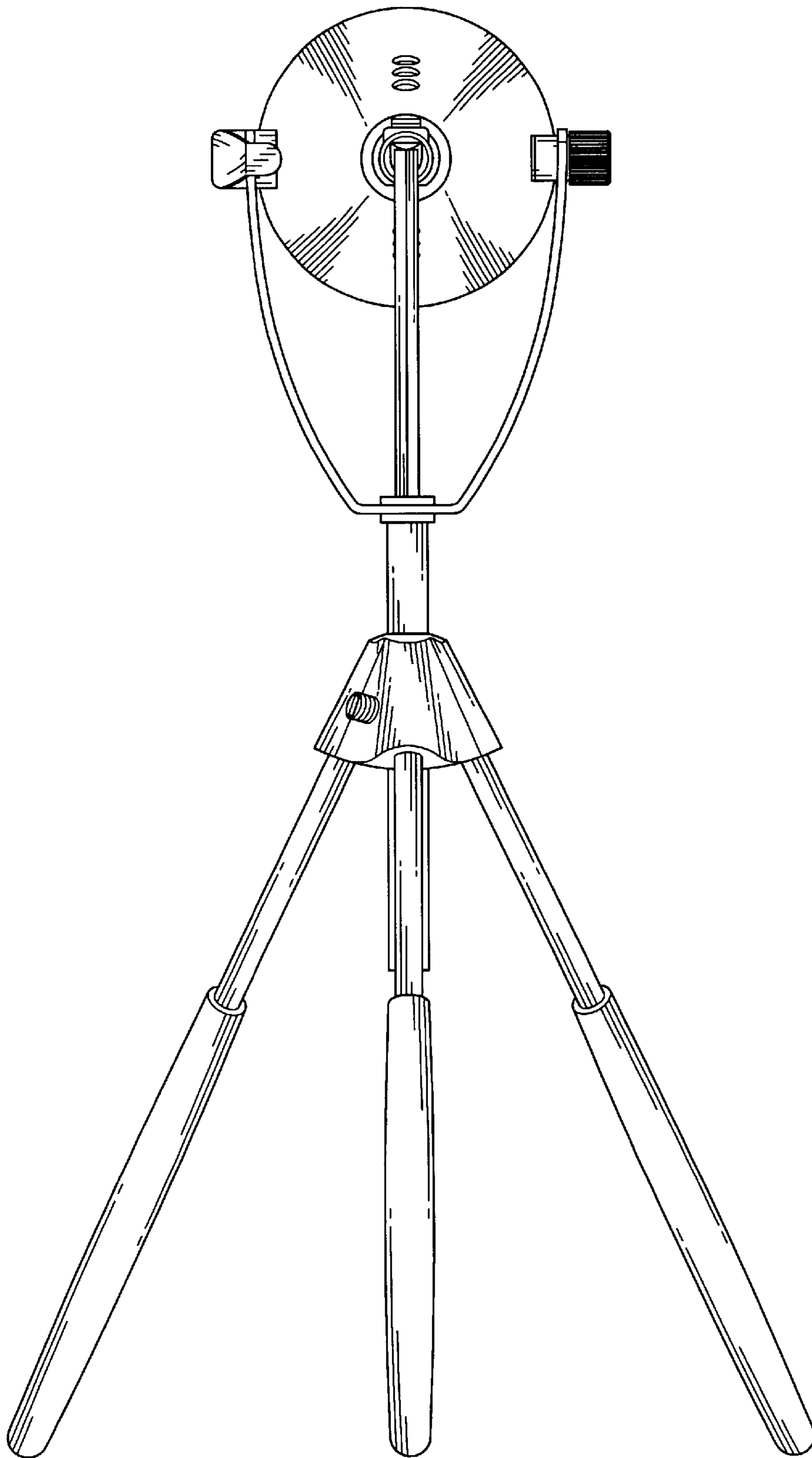


FIG. 3

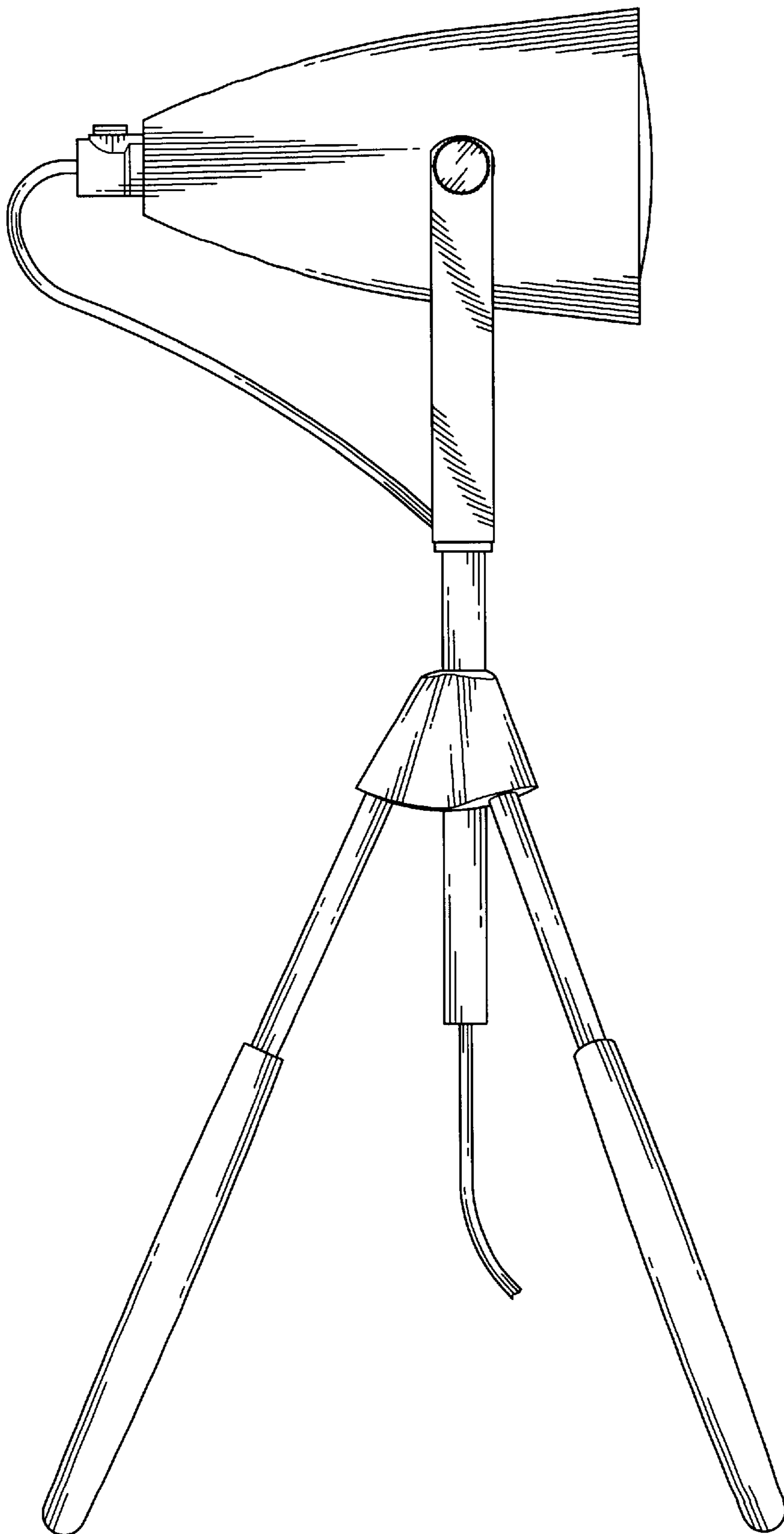


FIG. 4

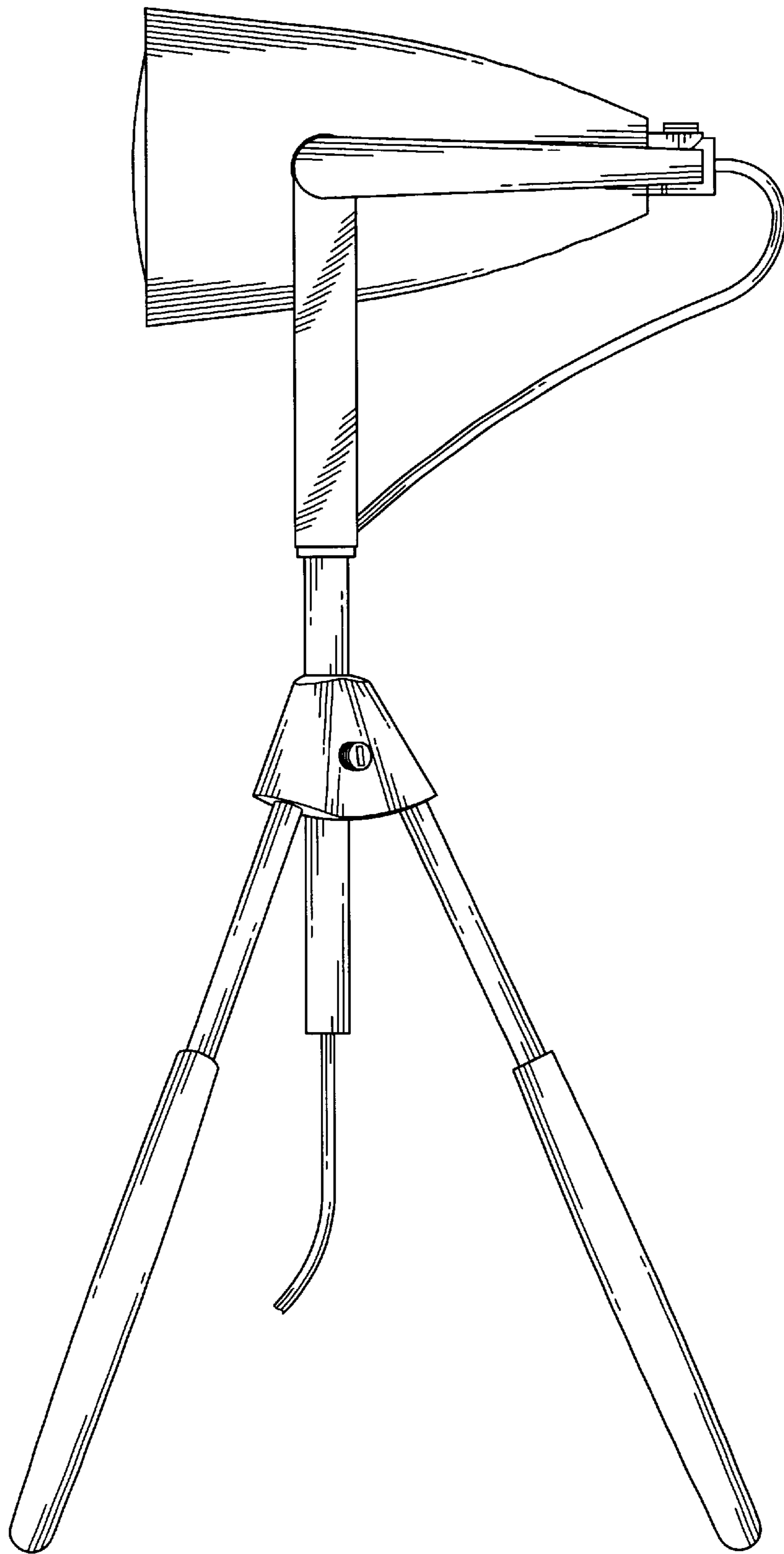


FIG. 5

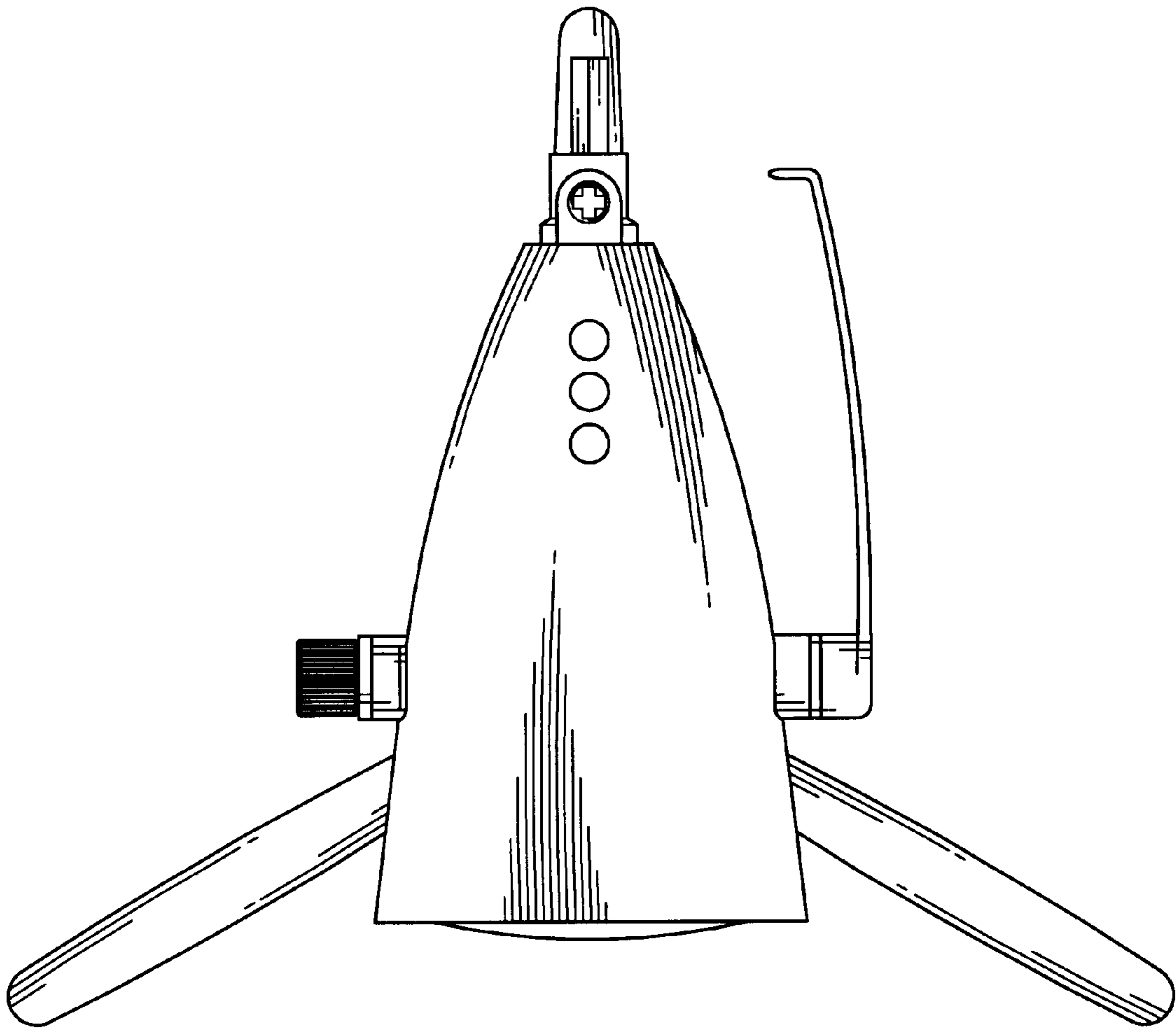


FIG. 6

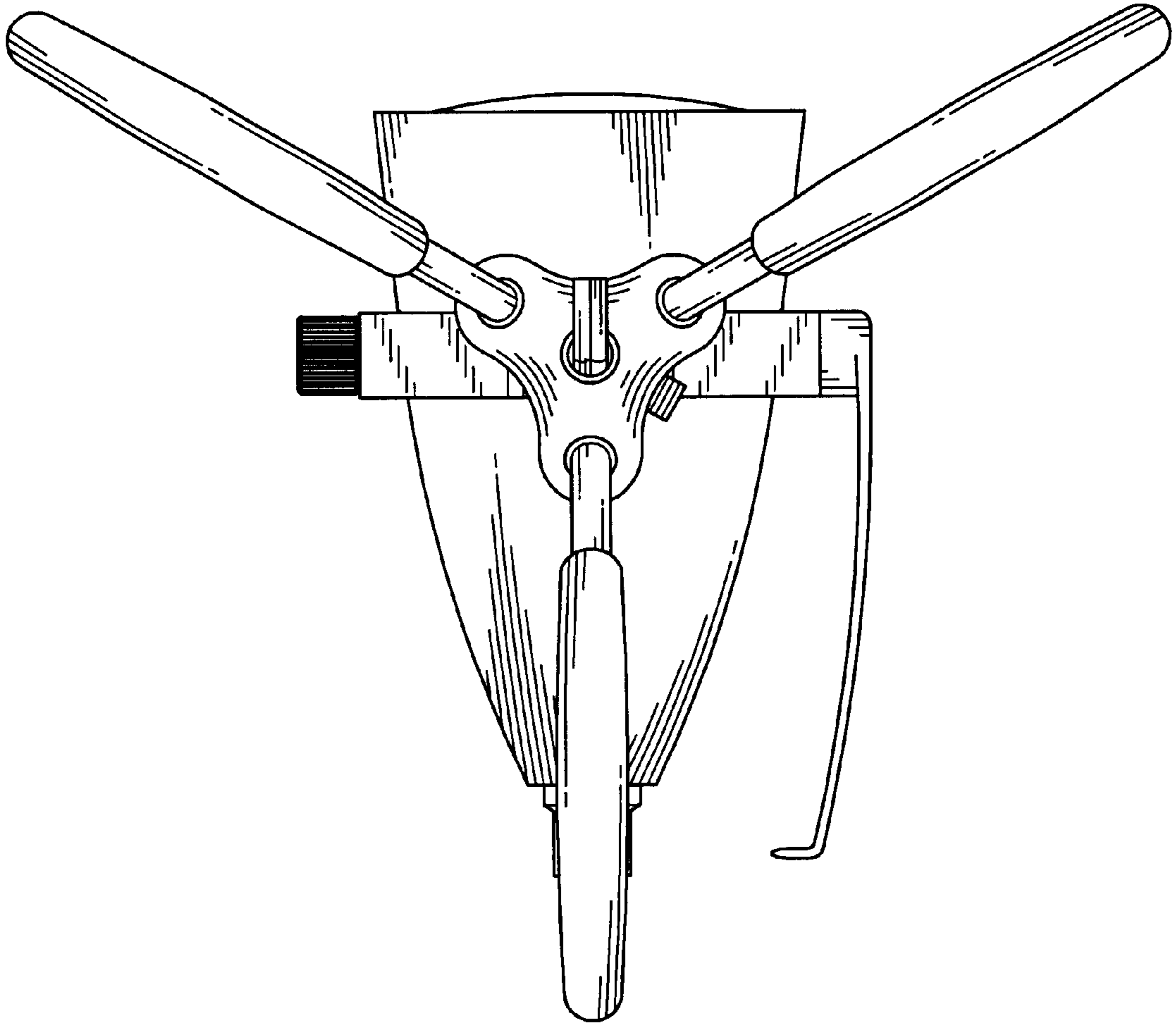


FIG. 7