



US00D462799S

(12) **United States Design Patent**  
**Ziaylek, Jr. et al.**

(10) **Patent No.:** **US D462,799 S**

(45) **Date of Patent:** **\*\* Sep. 10, 2002**

(54) **SWIM PLATFORM LIGHT FOR A WATERCRAFT**

D412,370 S \* 7/1999 Cece ..... D26/28

\* cited by examiner

(76) Inventors: **Theodore Ziaylek, Jr.**, 140 Riverview Dr., Yardley, PA (US) 19067; **Michael P. Ziaylek**, 15 Cold Spring Ave., Yardley, PA (US) 19067; **Theodore P. Ziaylek**, 152 Riverview Ave., Yardley, PA (US) 19067

*Primary Examiner*—Marcus A. Jackson  
(74) *Attorney, Agent, or Firm*—Sperry, Zoda & Kane

(\*\*) Term: **14 Years**

(57) **CLAIM**

The ornamental design for a swim platform light for a watercraft, as shown and described.

(21) Appl. No.: **29/151,732**

**DESCRIPTION**

(22) Filed: **Dec. 3, 2001**

FIG. 1 is a front perspective view embodying our new design;

(51) **LOC (7) Cl.** ..... **26-04**

(52) **U.S. Cl.** ..... **D26/28**

FIG. 2 is a side plan view, with the opposite side being a mirror image thereof, and with the cord broken away to indicate indeterminate length;

(58) **Field of Search** ..... D26/28-36, 72, D26/74, 85; 362/61, 80, 80.1, 82, 83, 83.2, 83.3, 267, 269, 361, 362, 364

FIG. 3 is a front plan view;

FIG. 4 is a rear plan view;

FIG. 5 is a top plan view; and,

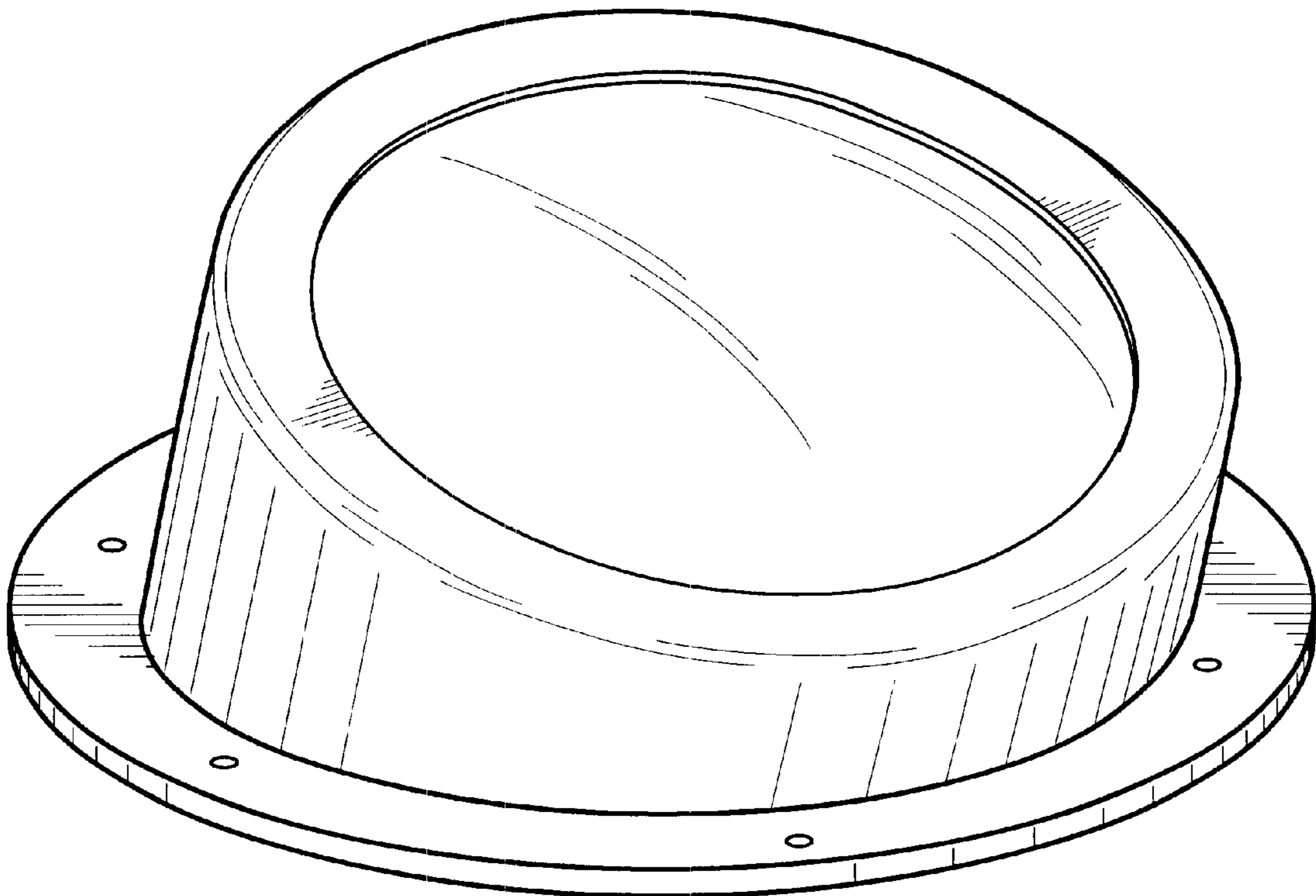
FIG. 6 is a bottom plan view.

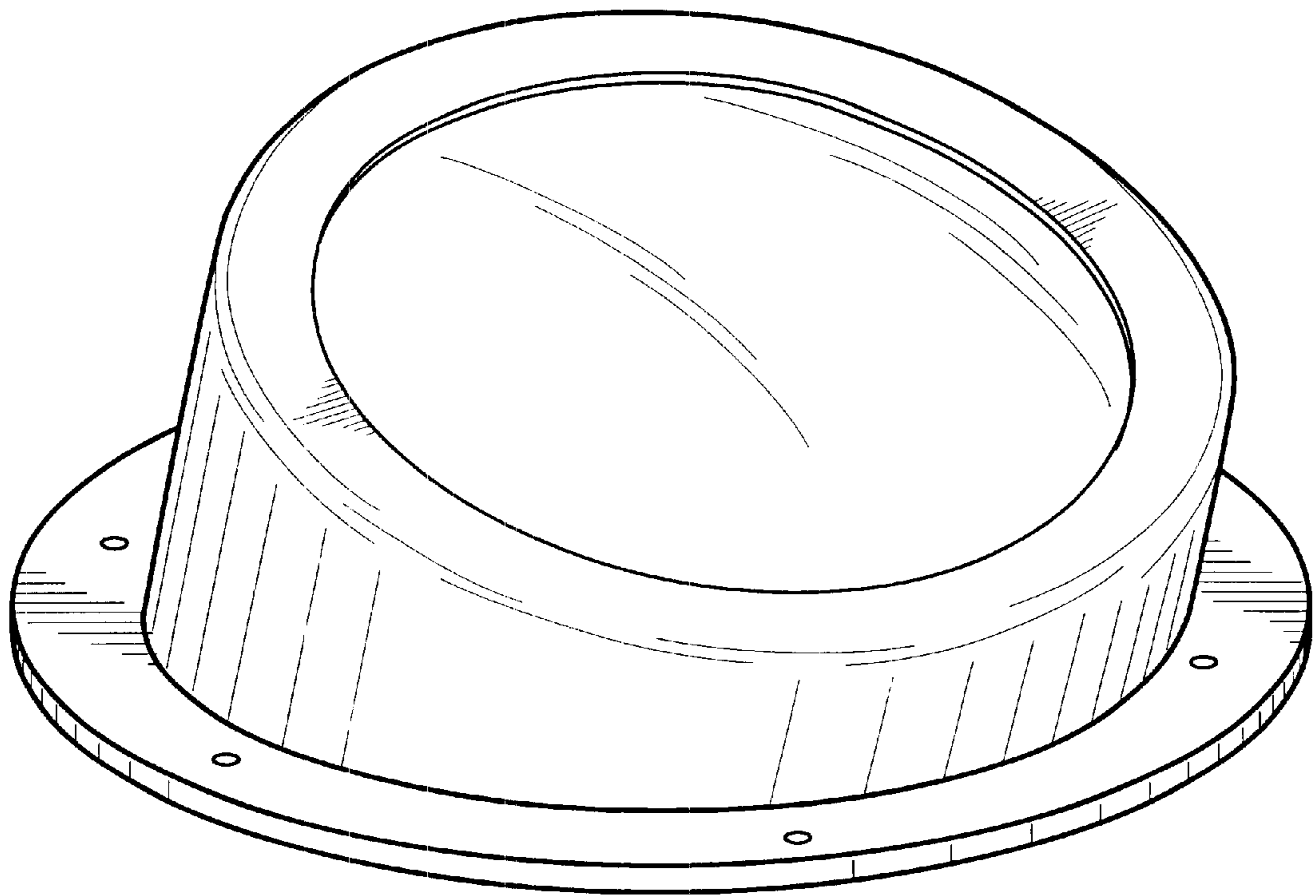
(56) **References Cited**

**U.S. PATENT DOCUMENTS**

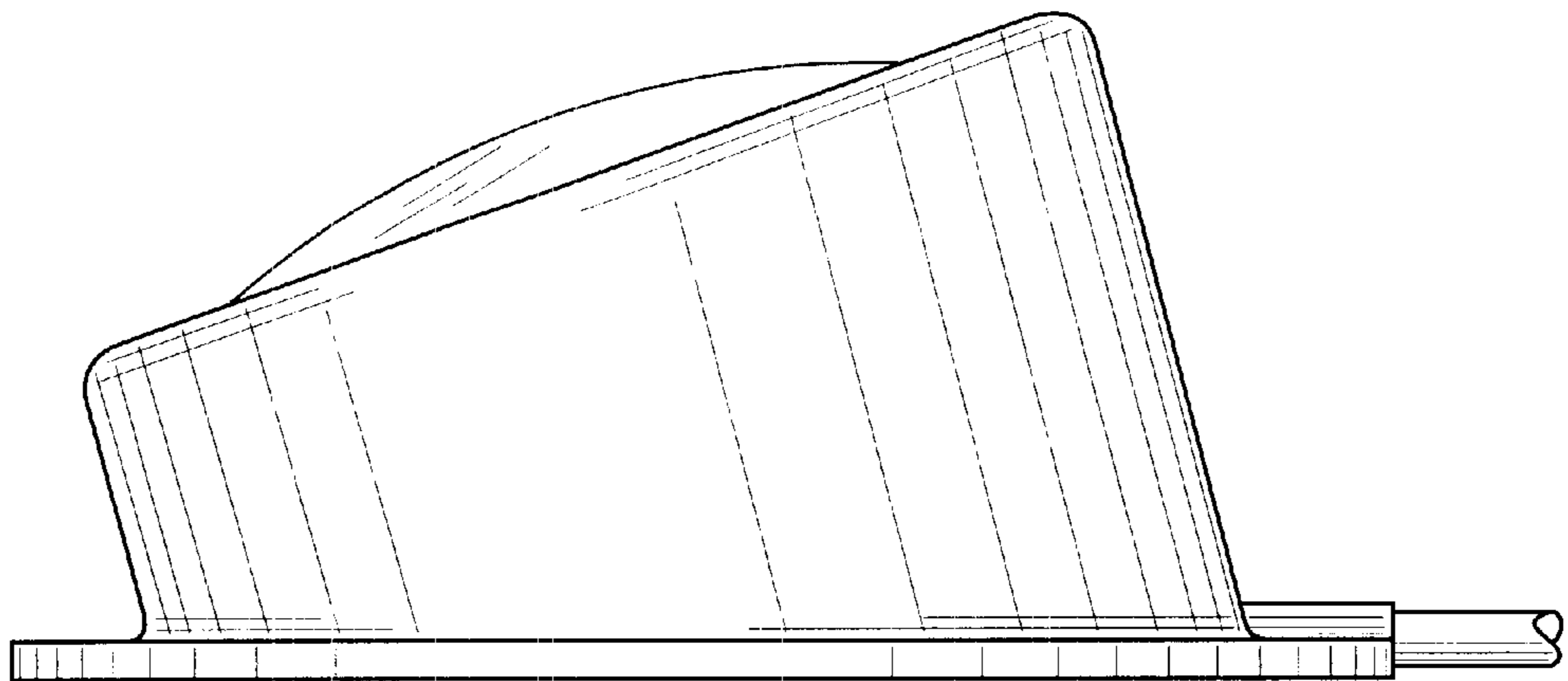
D372,994 S \* 8/1996 Ziaylek, Jr. et al. .... D26/28

**1 Claim, 3 Drawing Sheets**

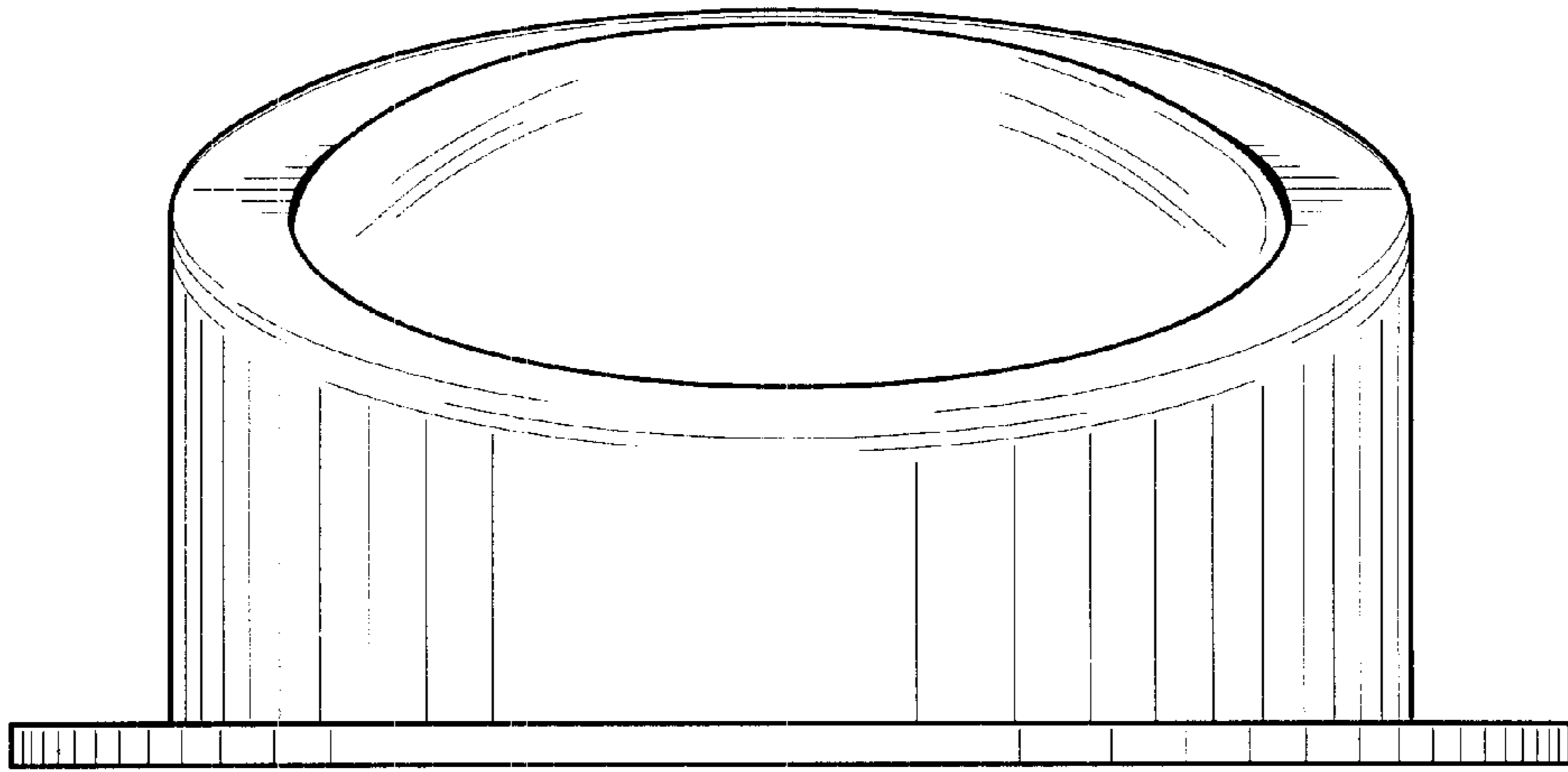




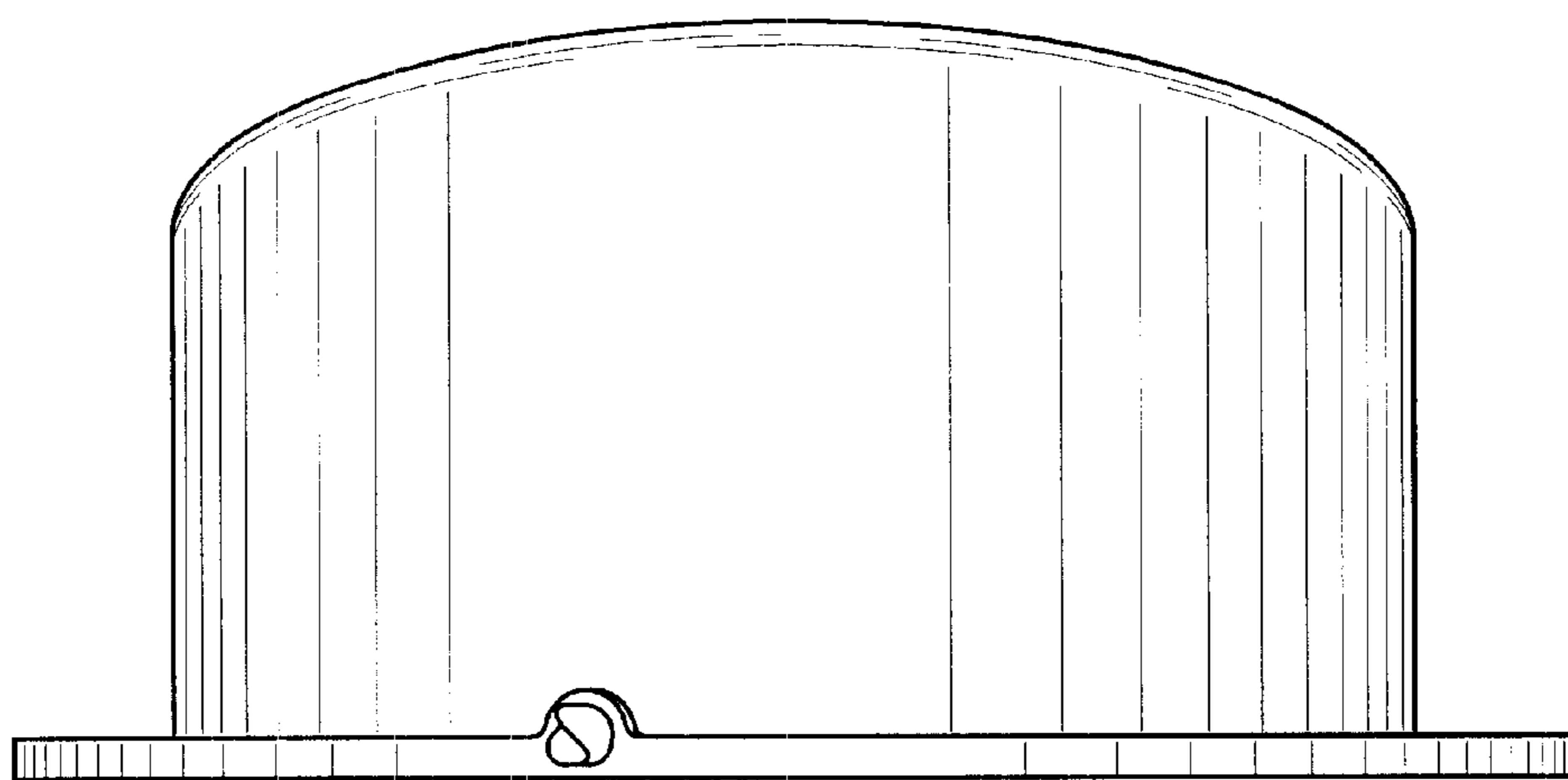
**FIG. 1**



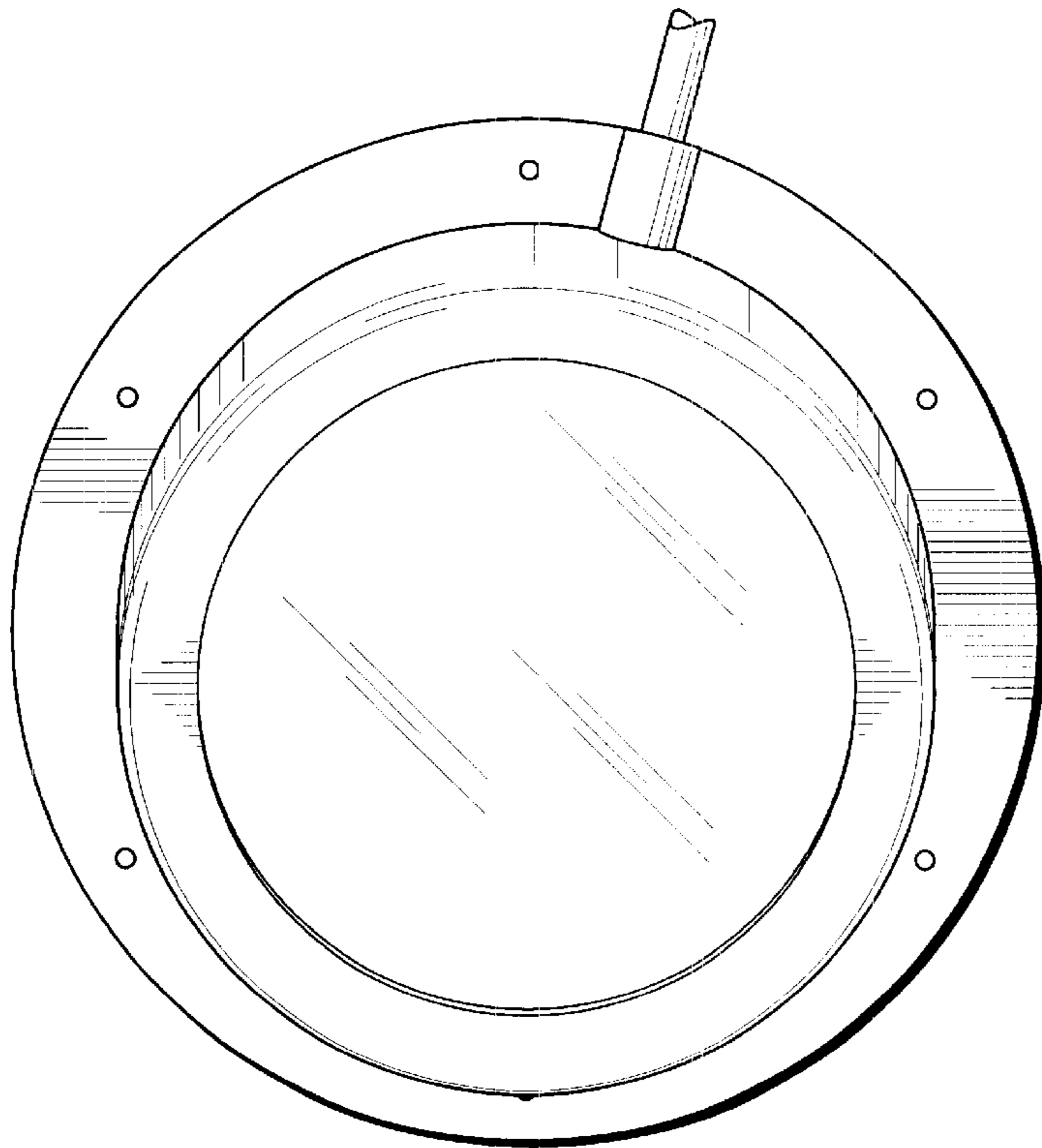
**FIG. 2**



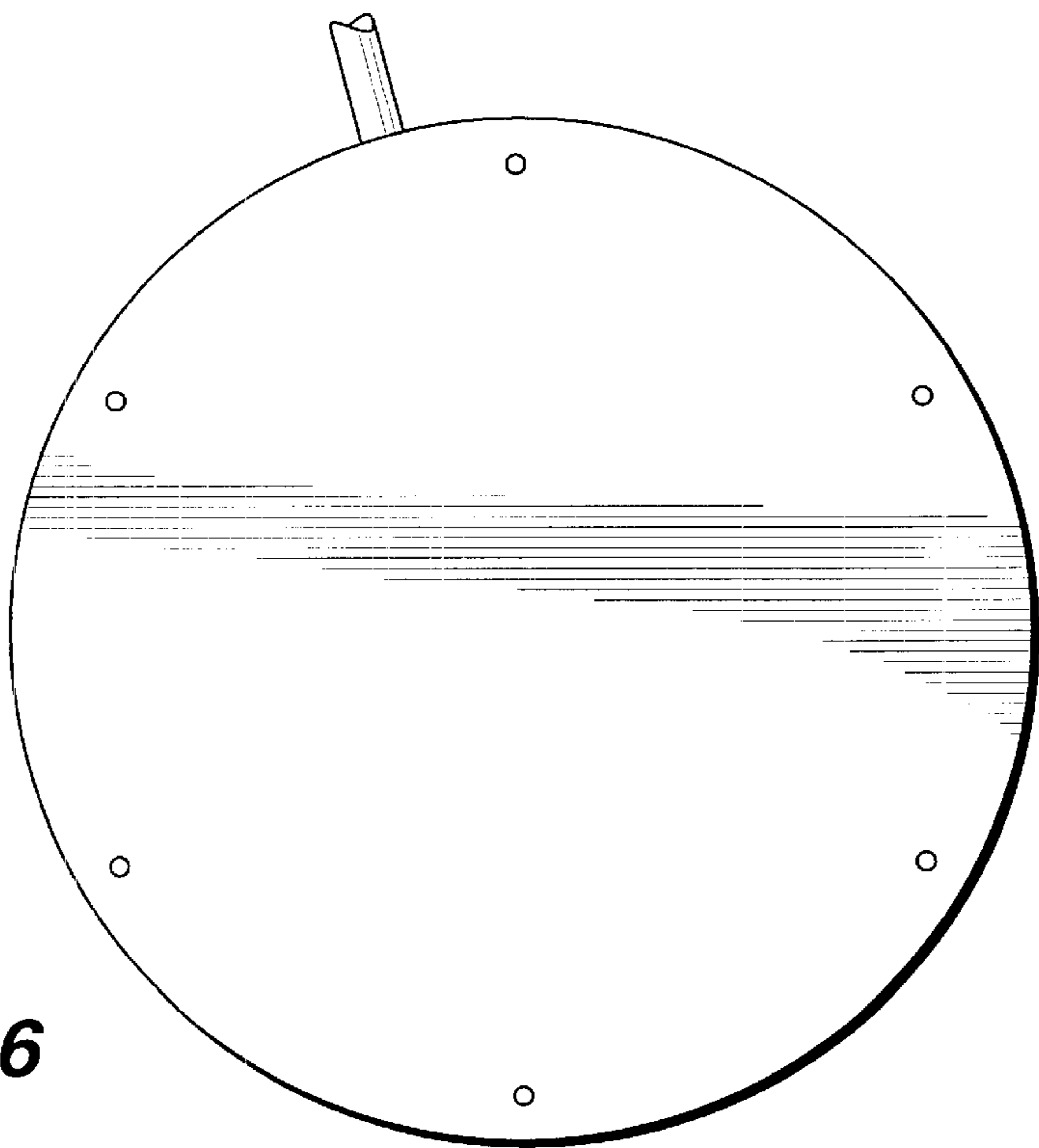
**FIG. 3**



**FIG. 4**



**FIG. 5**



**FIG. 6**