



US00D462798S

(12) **United States Design Patent**  
**Sakae**

(10) **Patent No.:** **US D462,798 S**

(45) **Date of Patent:** **\*\* Sep. 10, 2002**

(54) **FRONT COMBINATION LAMP FOR  
AUTOMOBILE**

(75) Inventor: **Masanari Sakae**, Aichi-ken (JP)

(73) Assignee: **Toyota Jidosha Kabushiki Kaisha** (JP)

(\*\*) Term: **14 Years**

(21) Appl. No.: **29/146,023**

(22) Filed: **Aug. 2, 2001**

(30) **Foreign Application Priority Data**

Mar. 6, 2001 (JP) ..... 2001-010547

(51) **LOC (7) Cl.** ..... **26-04**

(52) **U.S. Cl.** ..... **D26/28**

(58) **Field of Search** ..... D26/28-36; 362/4,  
362/61, 80-83, 267, 269, 275

(56) **References Cited**

**U.S. PATENT DOCUMENTS**

- D406,910 S \* 3/1999 Bangle ..... D26/28
- D414,571 S \* 9/1999 Schneider et al. .... D26/28
- D427,342 S \* 6/2000 Hunter et al. .... D26/28

**OTHER PUBLICATIONS**

2000 CEFIRO, Automotive Guidebook of Japan, vol. 47,  
Oct. 20, 2000, p. 91.

\* cited by examiner

*Primary Examiner*—Marcus A. Jackson

(74) *Attorney, Agent, or Firm*—SAIDMAN DesignLaw  
Group

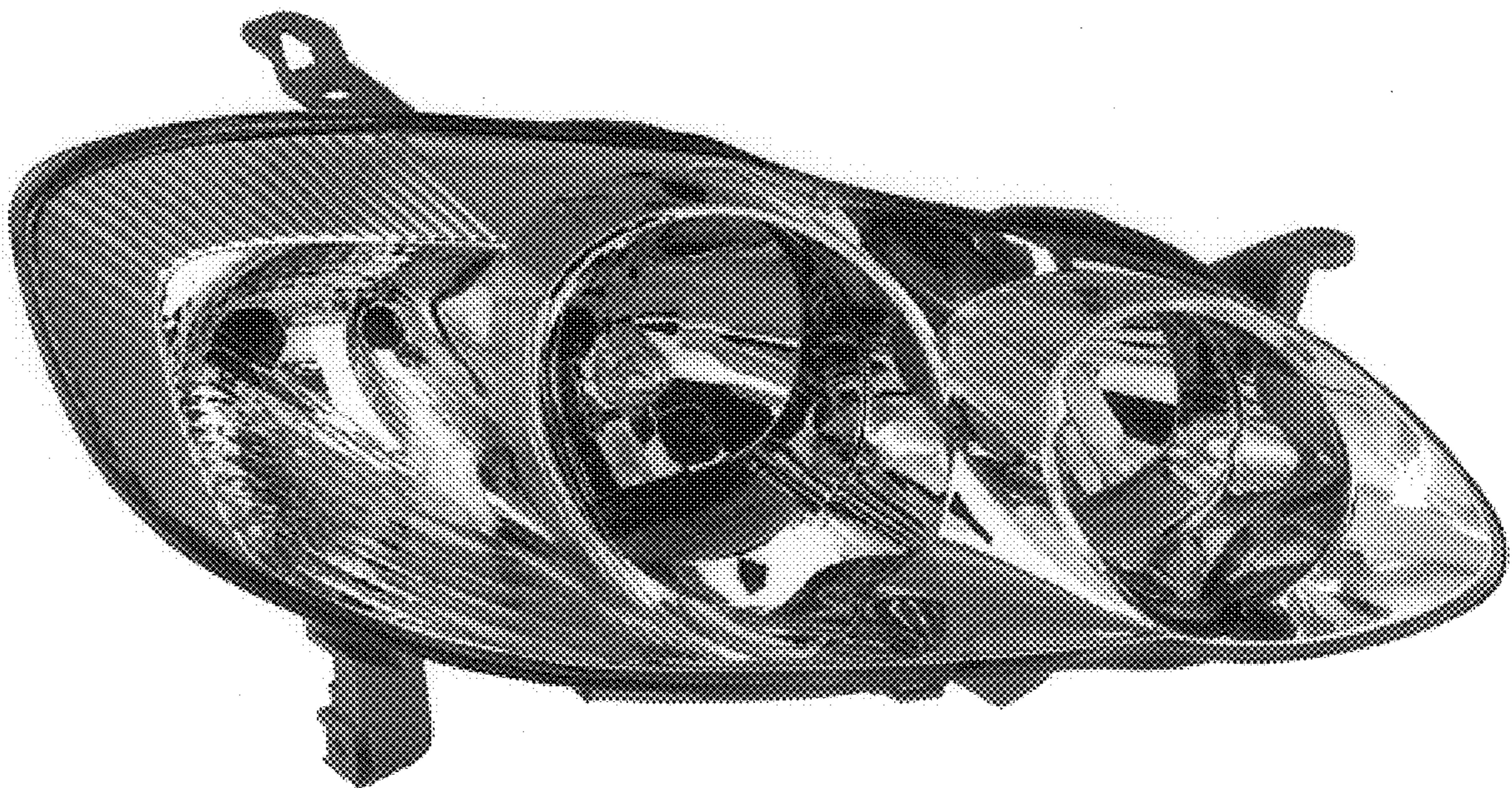
(57) **CLAIM**

The ornamental design for a front combination lamp for  
automobile, as shown.

**DESCRIPTION**

FIG. 1 is a front perspective view of a front combination  
lamp for automobile showing my new design;  
FIG. 2 is a front view thereof;  
FIG. 3 is a rear view thereof;  
FIG. 4 is a right side view thereof;  
FIG. 5 is a left side view thereof;  
FIG. 6 is a top view thereof; and,  
FIG. 7 is a bottom view thereof.

**1 Claim, 3 Drawing Sheets**





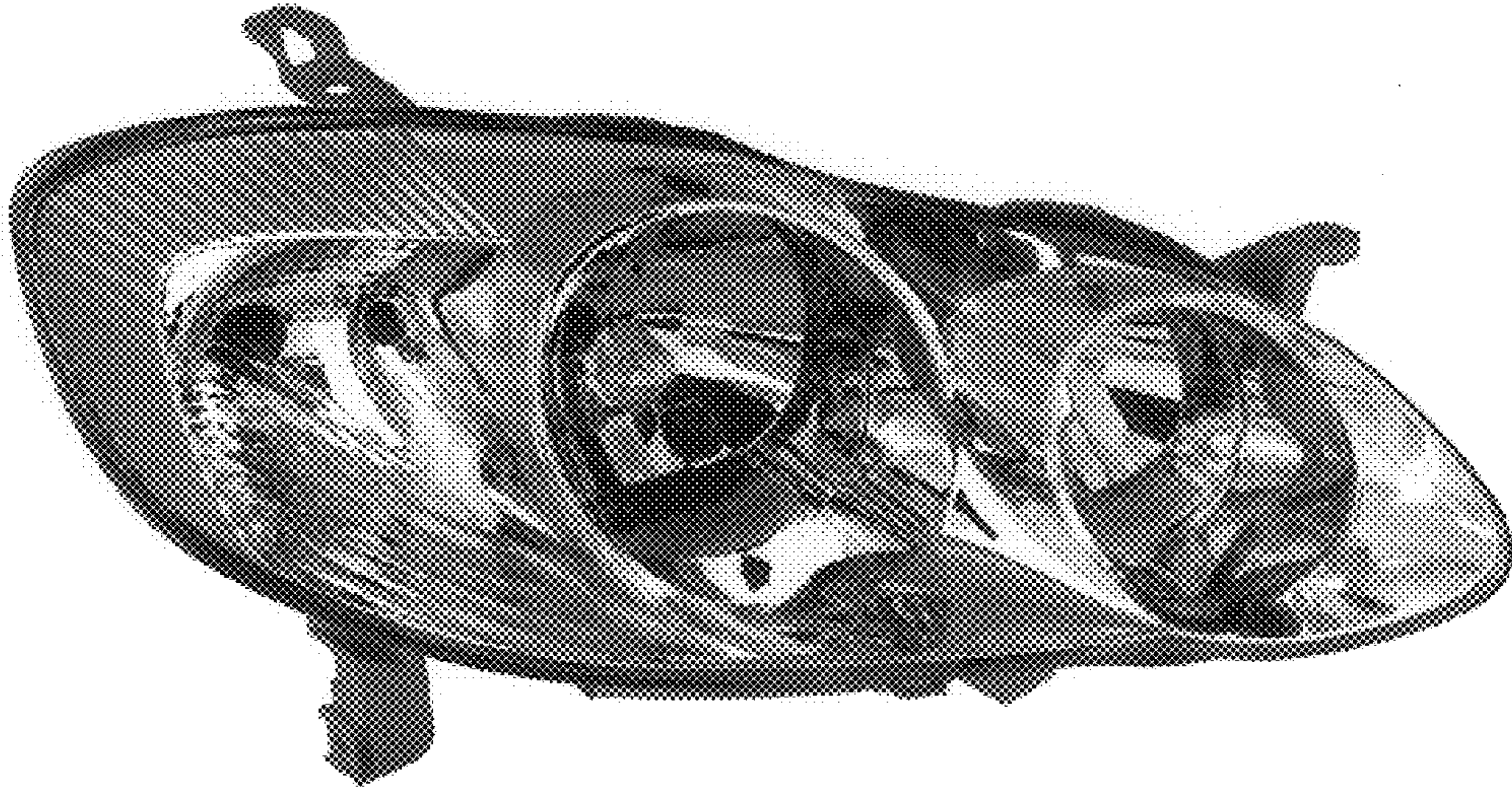


FIG. 1

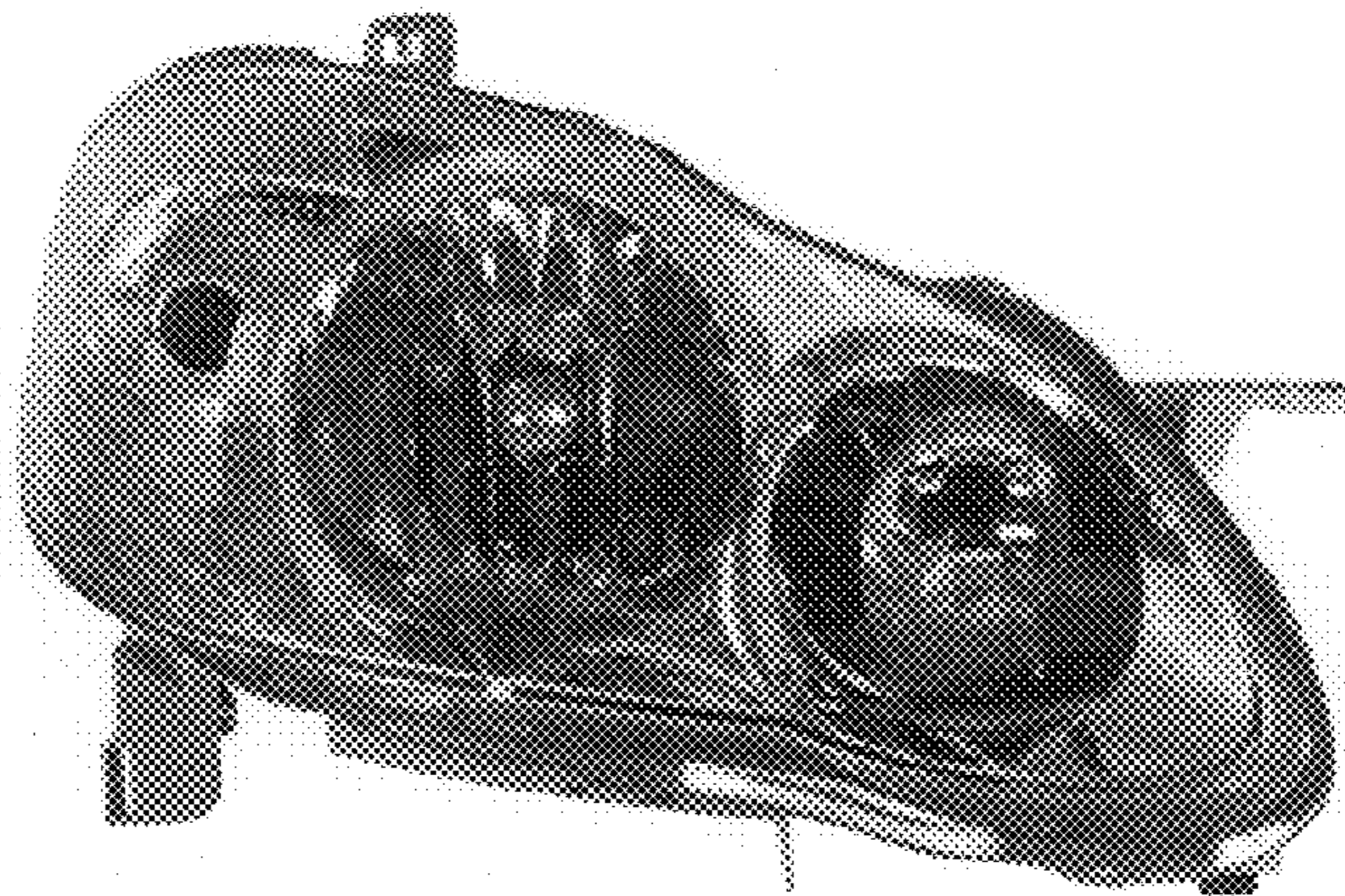


FIG. 2

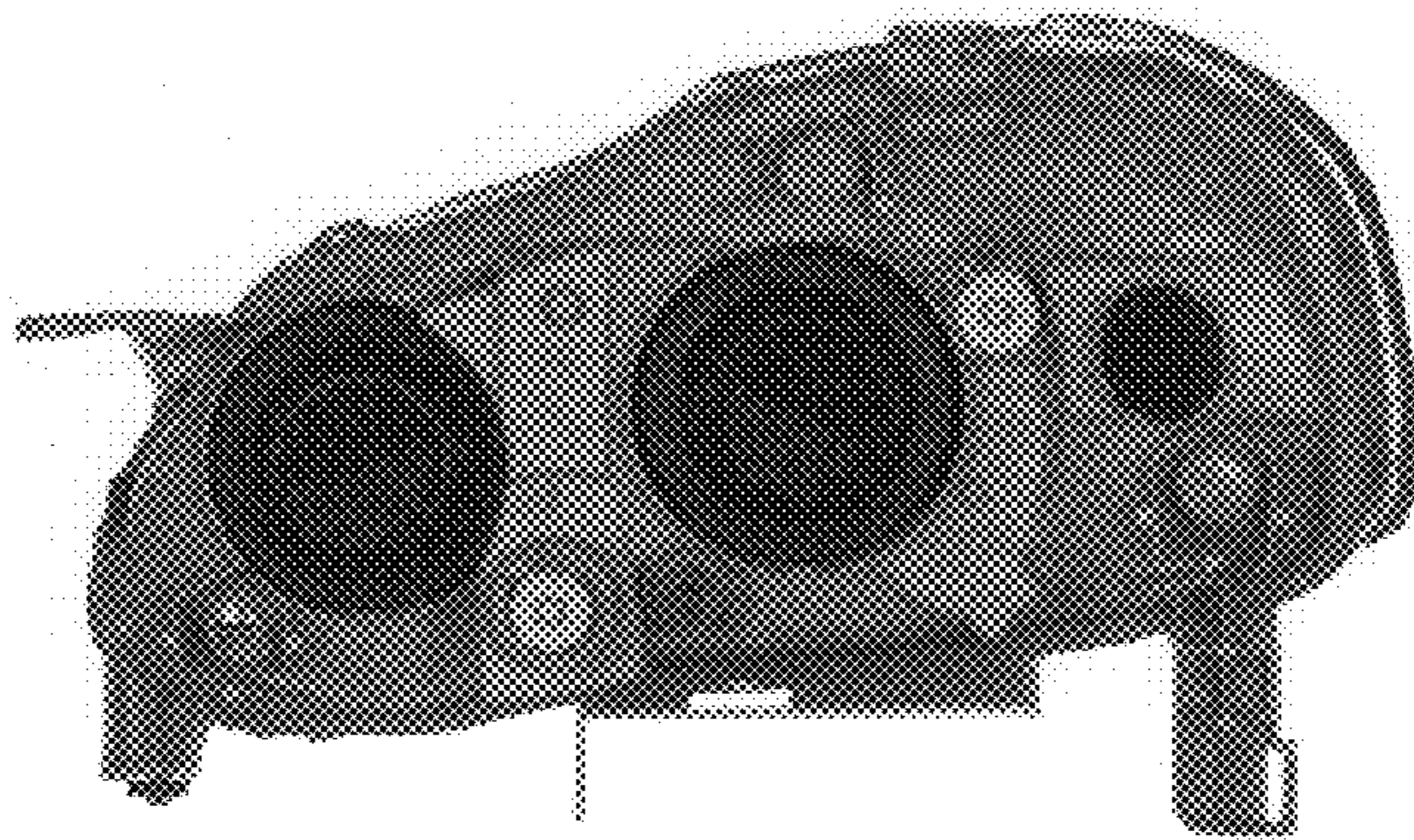


FIG. 3



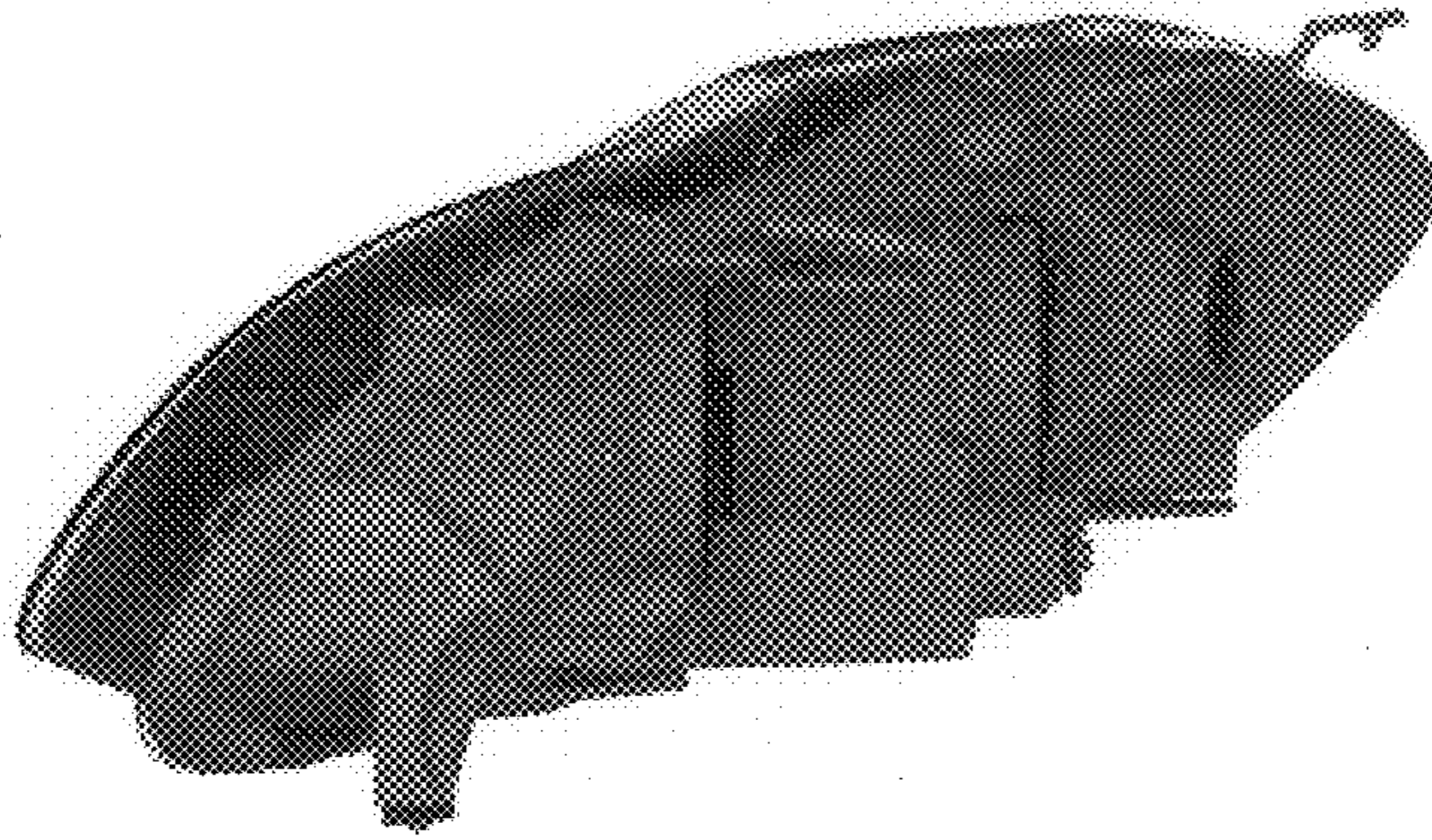


FIG. 4

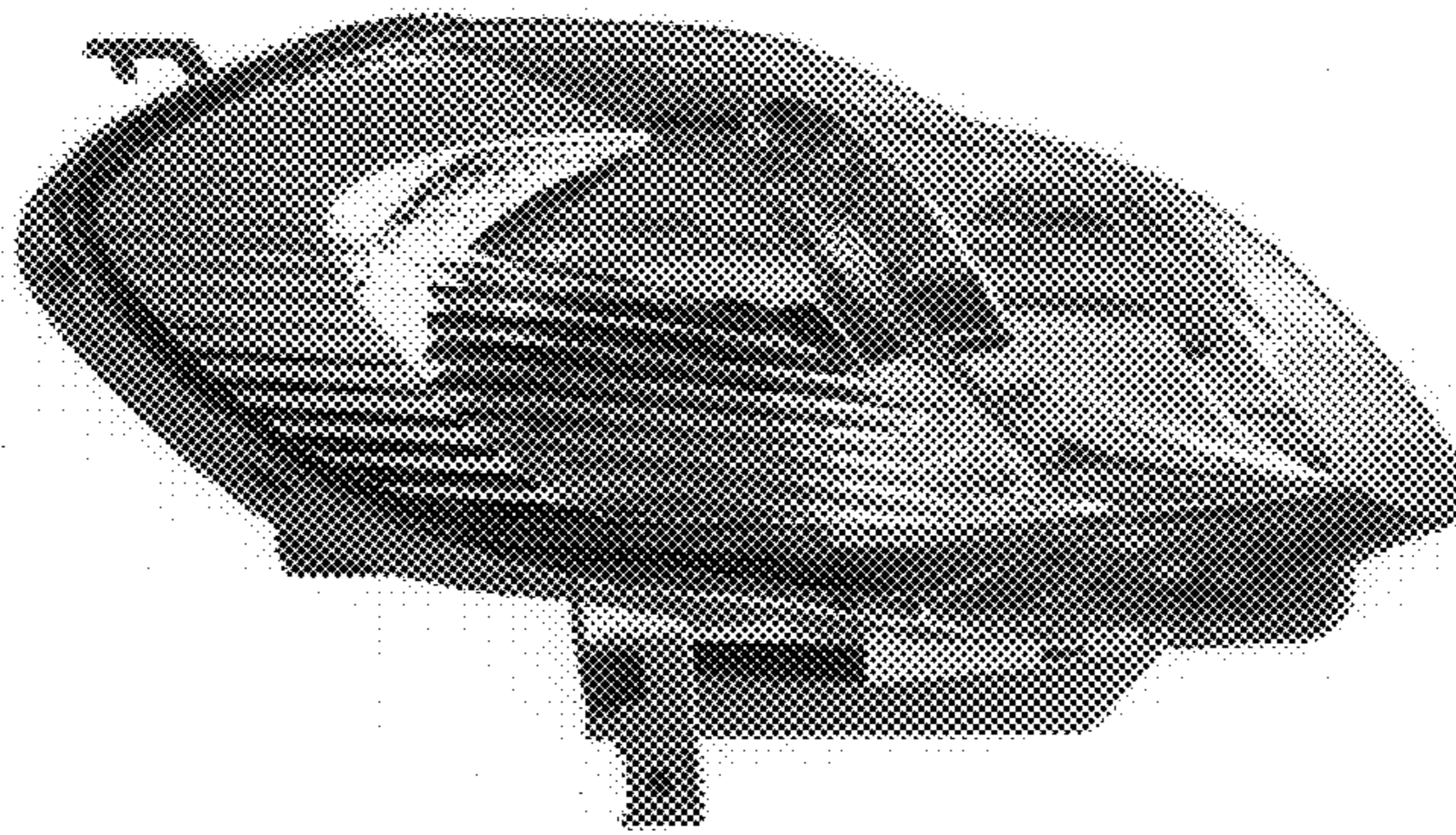


FIG. 5

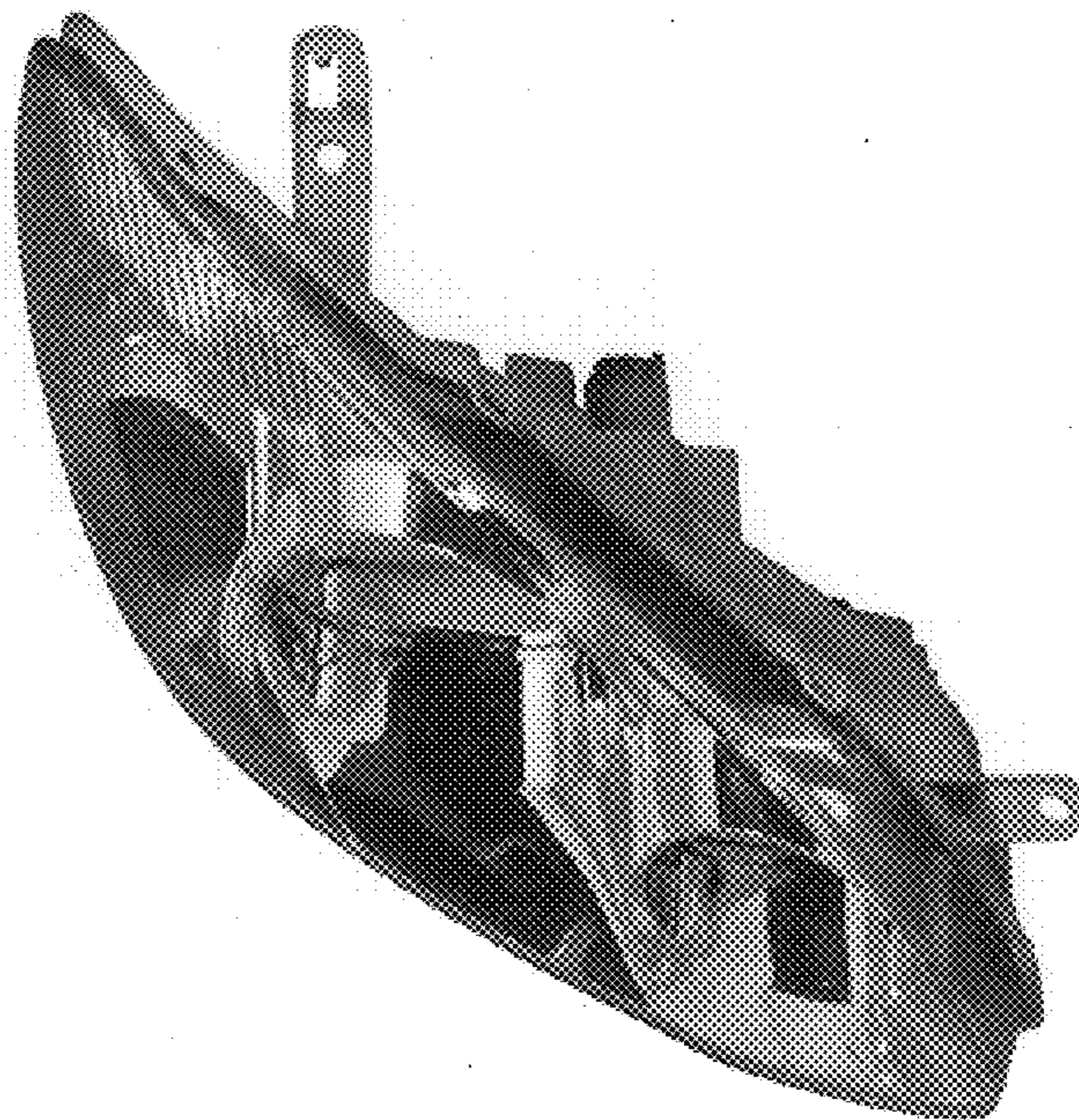


FIG. 6



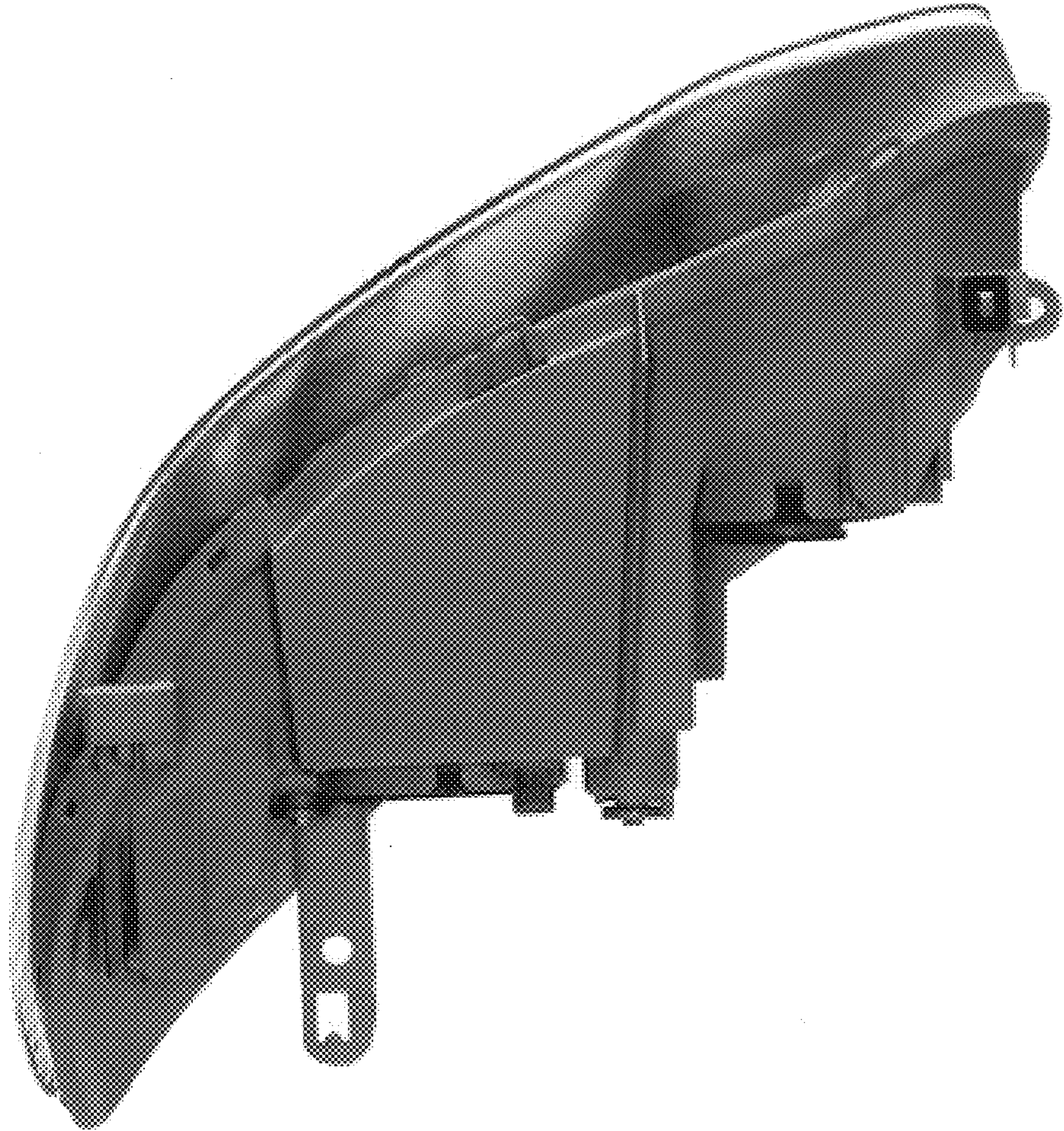


FIG. 7