



US00D462793S

(12) **United States Design Patent** (10) **Patent No.:** **US D462,793 S**
Freeman et al. (45) **Date of Patent:** **** Sep. 10, 2002**

(54) **CANDLE GLASS CONTAINER**
 (76) Inventors: **Scott H. Freeman**, 19582 Cloverwood Cir., Huntington Beach, CA (US) 92648; **Frank H. Asbury**, 144 N. Trevor St., Anaheim, CA (US) 92806

D416,099 S * 11/1999 Hardy D26/9
 D424,719 S 5/2000 Freeman
 D425,636 S 5/2000 Freeman
 D436,866 S 1/2001 Freeman
 D439,684 S 3/2001 Freeman
 6,241,512 B1 * 6/2001 Freeman et al. 431/291

(**) Term: **14 Years**

OTHER PUBLICATIONS

Illuminations catalog 1996; glass candle bowl p. 14.*
 Illuminations catalog summer 2000; square glass bowls p. 20.*

(21) Appl. No.: **29/149,074**

(22) Filed: **Oct. 2, 2001**

* cited by examiner

(51) **LOC (7) Cl.** **26-01**

(52) **U.S. Cl.** **D26/9; D7/558**

(58) **Field of Search** D26/9, 10, 11, D26/16; D7/558; 431/125, 126, 291

Primary Examiner—Robin V. Taylor
 (74) *Attorney, Agent, or Firm*—Stetina Brunda Garred & Brucker

(56) **References Cited**

(57) **CLAIM**

U.S. PATENT DOCUMENTS

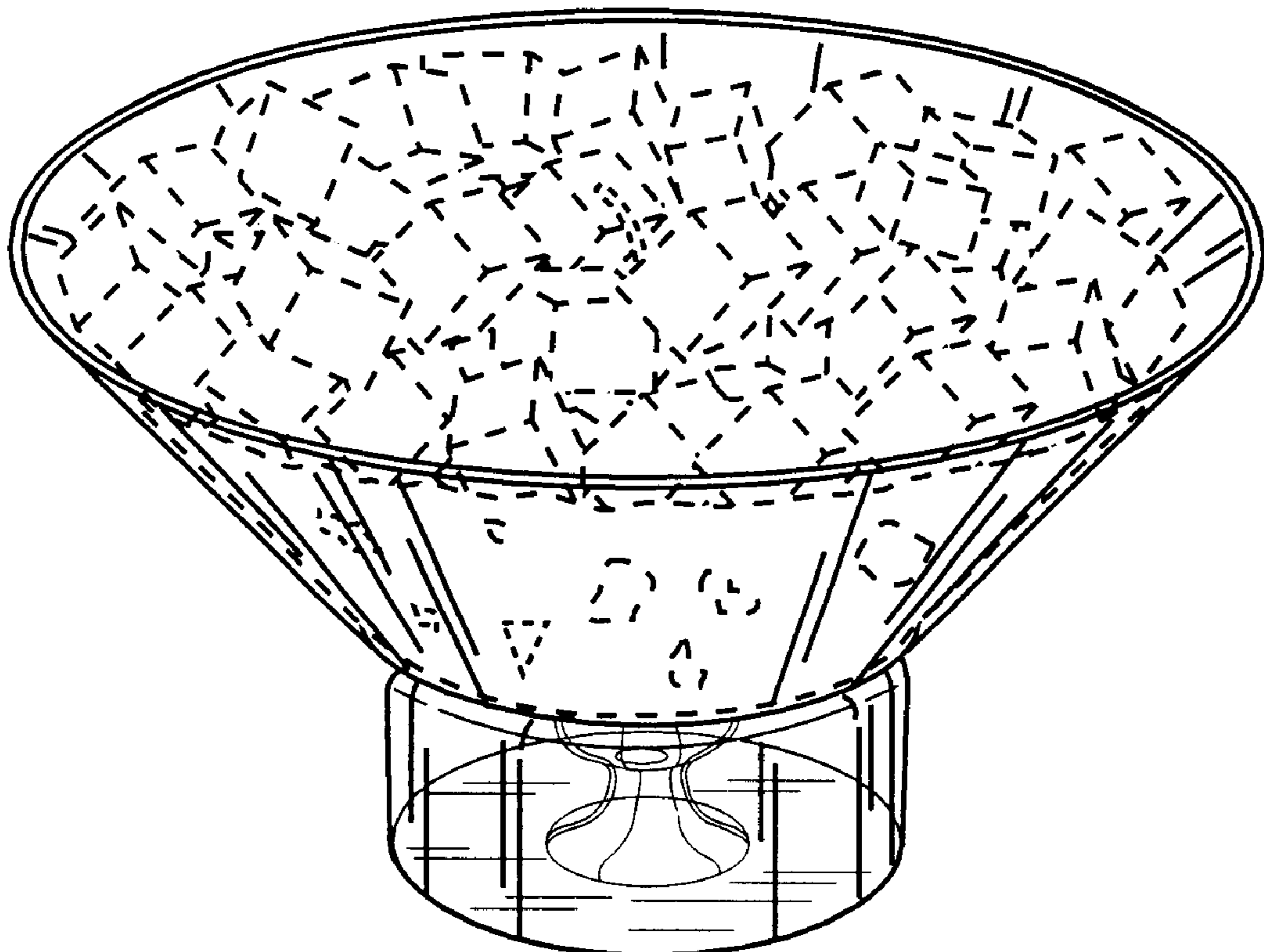
The ornamental design for a candle glass container, as shown and described.

D67,108 S	4/1925	Steeple	
D76,314 S	9/1928	Krause	
D76,880 S	11/1928	Magee	
1,915,622 A	6/1933	Sevcik	
D226,240 S	1/1973	Twedt	
3,910,753 A	10/1975	Lee	
D238,502 S	* 1/1976	Thrush D26/9
D293,823 S	1/1988	Fieschi et al.	
4,759,699 A	7/1988	Rubarth	
4,931,014 A	* 6/1990	Scott et al. 431/126
5,609,480 A	3/1997	Boyd	
D383,944 S	* 9/1997	Lillelund D7/558
5,951,278 A	* 9/1999	Young et al. 431/291

DESCRIPTION

FIG. 1 is a top perspective view of the candle glass container for the present invention, showing our new design, with the phantom lines depicting solely environmental structure and forming no part of the claimed design;
 FIG. 2 is a side elevational view thereof;
 FIG. 3 is a top plan view thereof; and,
 FIG. 4 is a bottom plan view thereof.

1 Claim, 1 Drawing Sheet



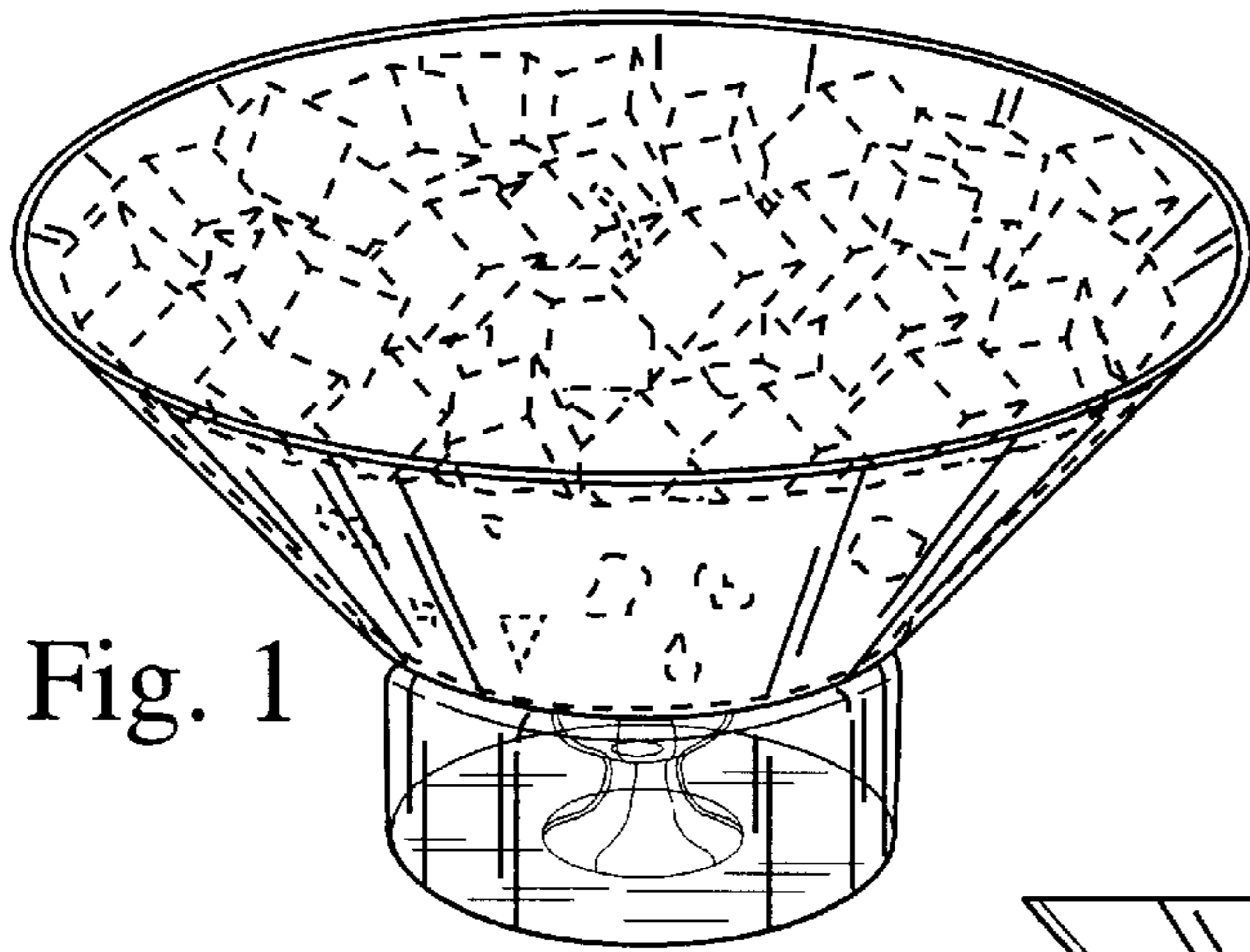


Fig. 1

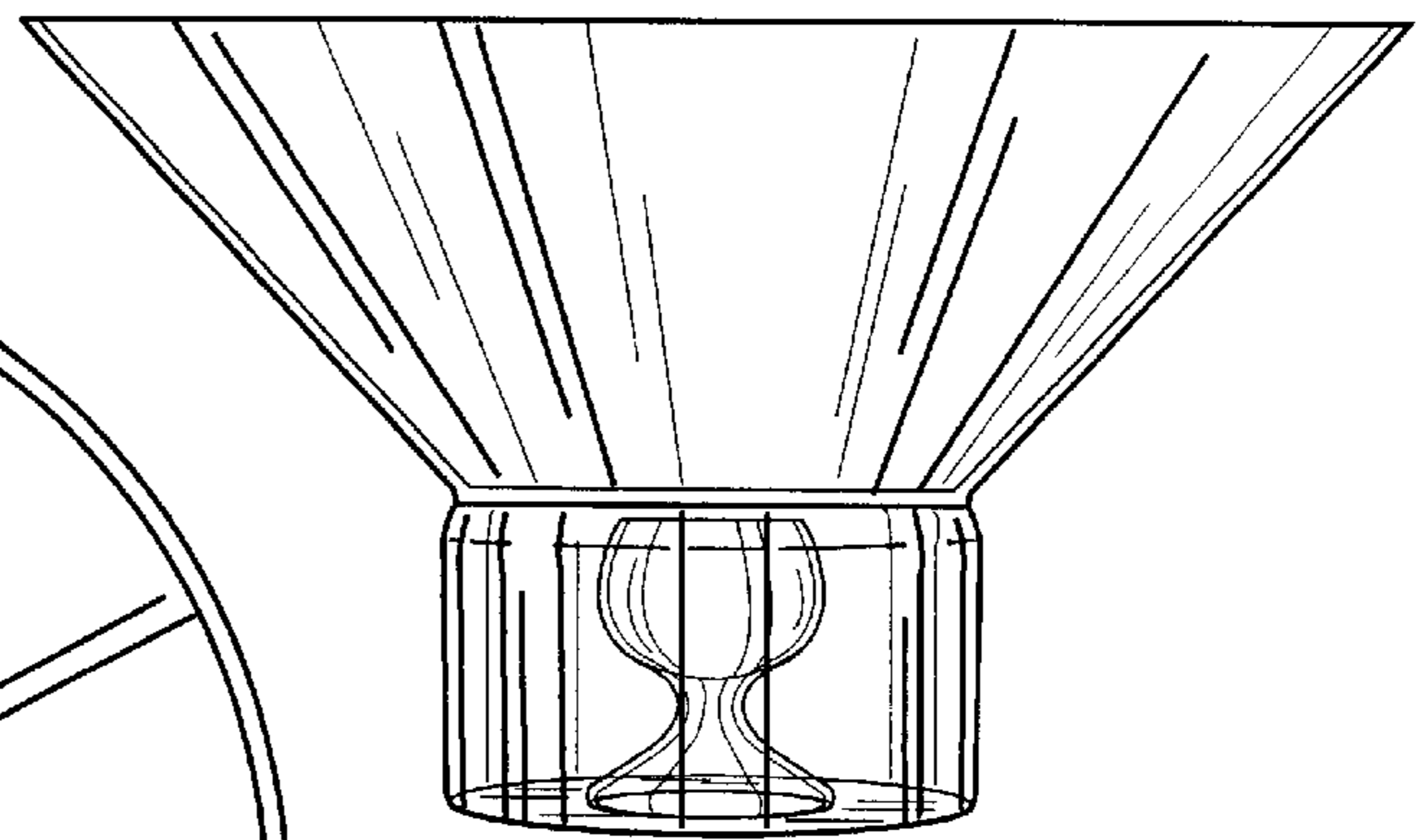


Fig. 2

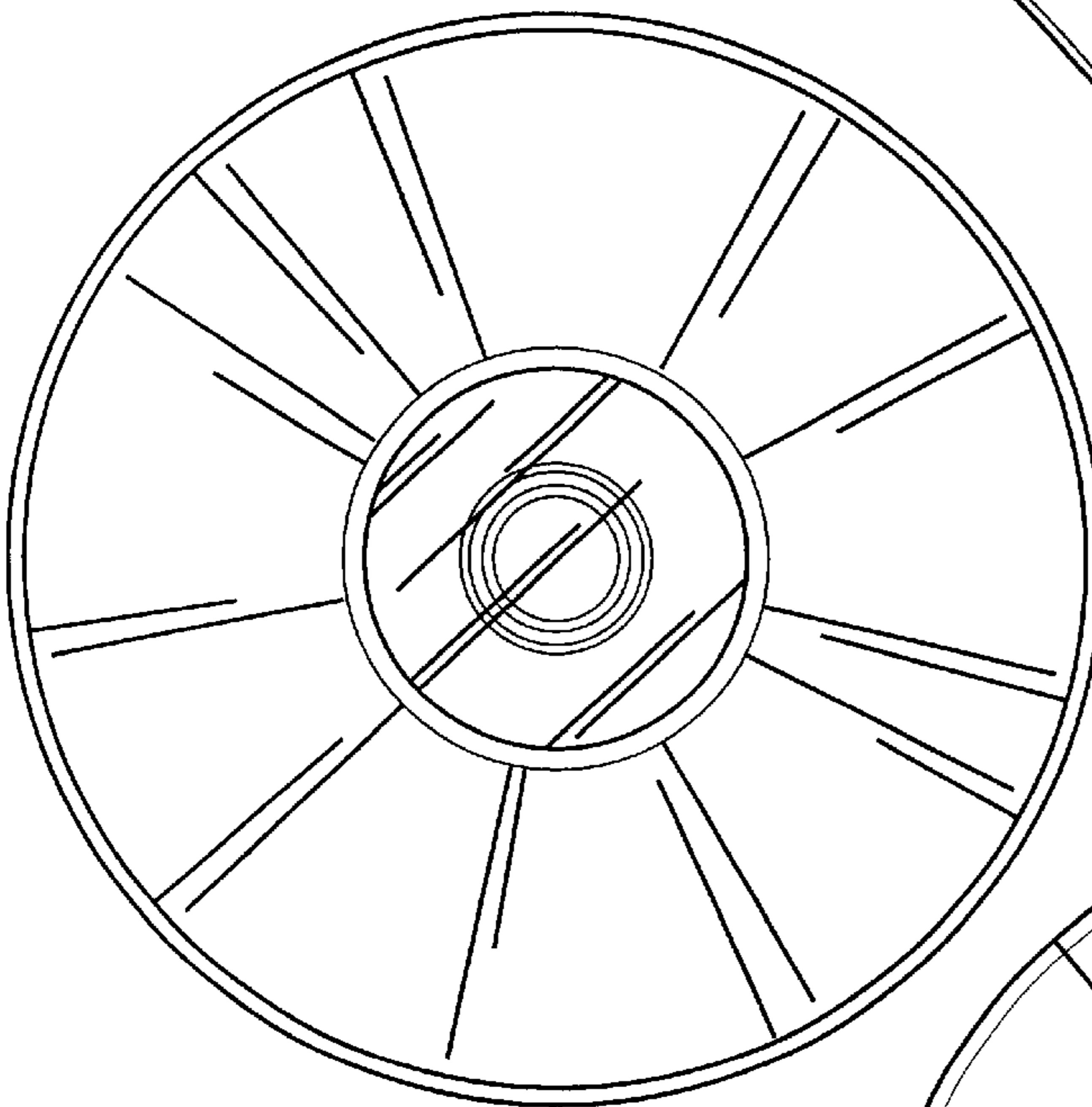


Fig. 3

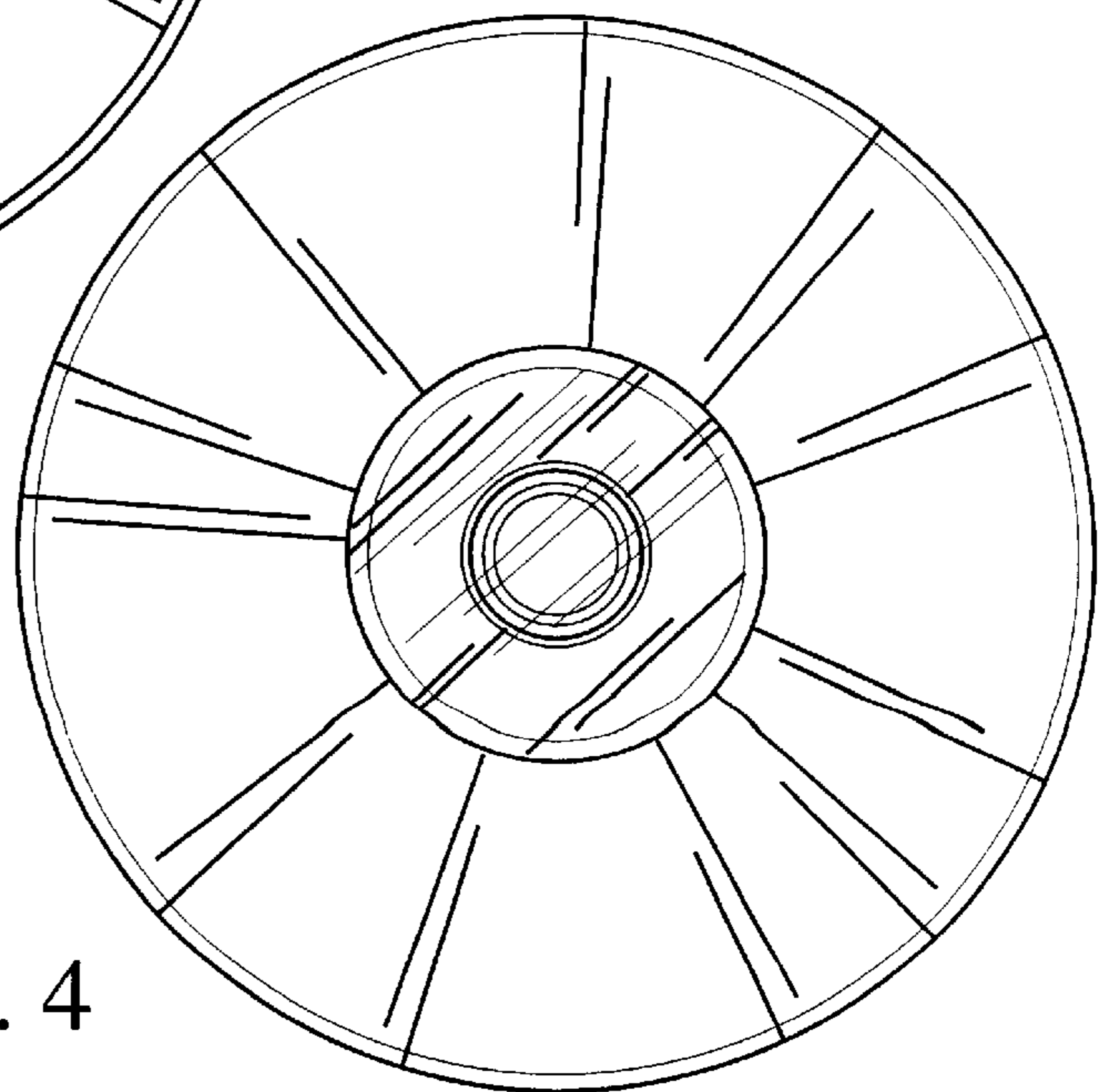


Fig. 4