



US00D462792S

(12) **United States Design Patent**  
**Ogawa**

(10) **Patent No.:** **US D462,792 S**

(45) **Date of Patent:** **\*\* Sep. 10, 2002**

(54) **INTERIOR AND EXTERIOR  
CONSTRUCTION BOARD HAVING A  
PATTERNED FACE**

D186,406 S \* 10/1959 Dwight ..... D25/158  
D299,872 S \* 2/1989 Jennings ..... D25/157  
D394,319 S \* 5/1998 Berger ..... D25/163

(76) Inventor: **Katsumasa Ogawa**, 3-2-22, Soja,  
Soja-shi, Okayama (JP)

\* cited by examiner

(\*\*) Term: **14 Years**

*Primary Examiner*—Doris Clark

(21) Appl. No.: **29/148,369**

(74) *Attorney, Agent, or Firm*—Flynn, Thiel, Boutell &  
Tanis, P.C.

(22) Filed: **Sep. 18, 2001**

(30) **Foreign Application Priority Data**

Mar. 21, 2001 (JP) ..... 2001-007373

(51) **LOC (7) Cl.** ..... **25-07**

(52) **U.S. Cl.** ..... **D25/163; D25/163**

(58) **Field of Search** ..... D25/138, 157-160,  
D25/163, 145, 147-148; 52/316, 311.1,  
415, 782.1

(56) **References Cited**

**U.S. PATENT DOCUMENTS**

2,388,880 A \* 11/1945 Stitt ..... 52/316  
D186,165 S \* 9/1959 Griswold ..... D25/160

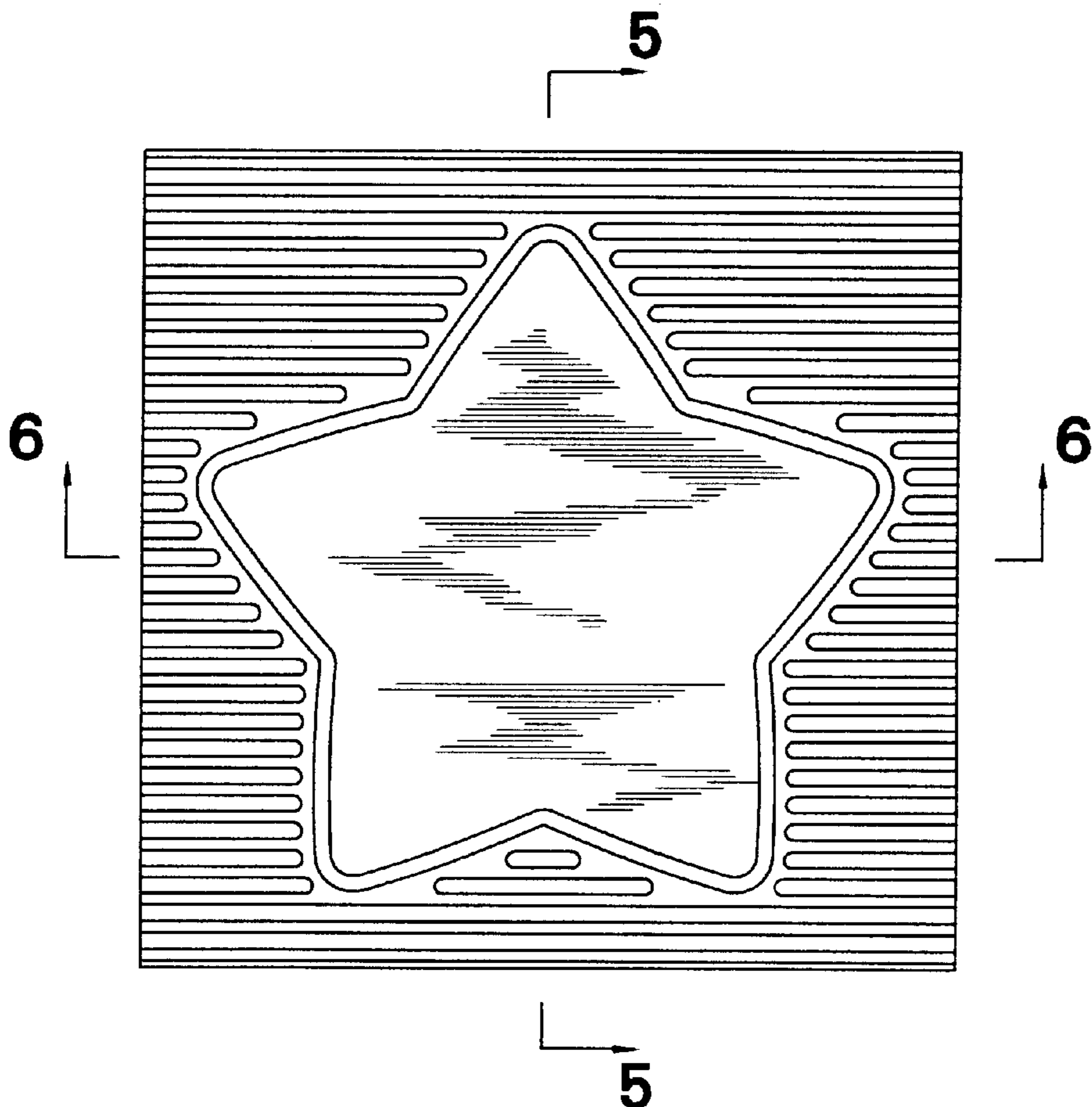
(57) **CLAIM**

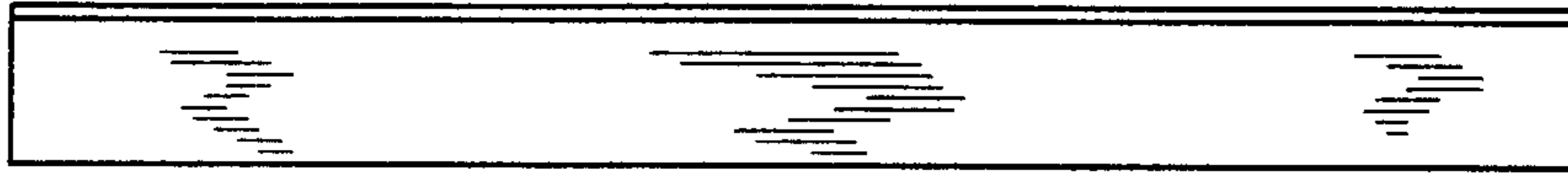
The ornamental design for an interior and exterior construction board having a patterned face, as shown and described.

**DESCRIPTION**

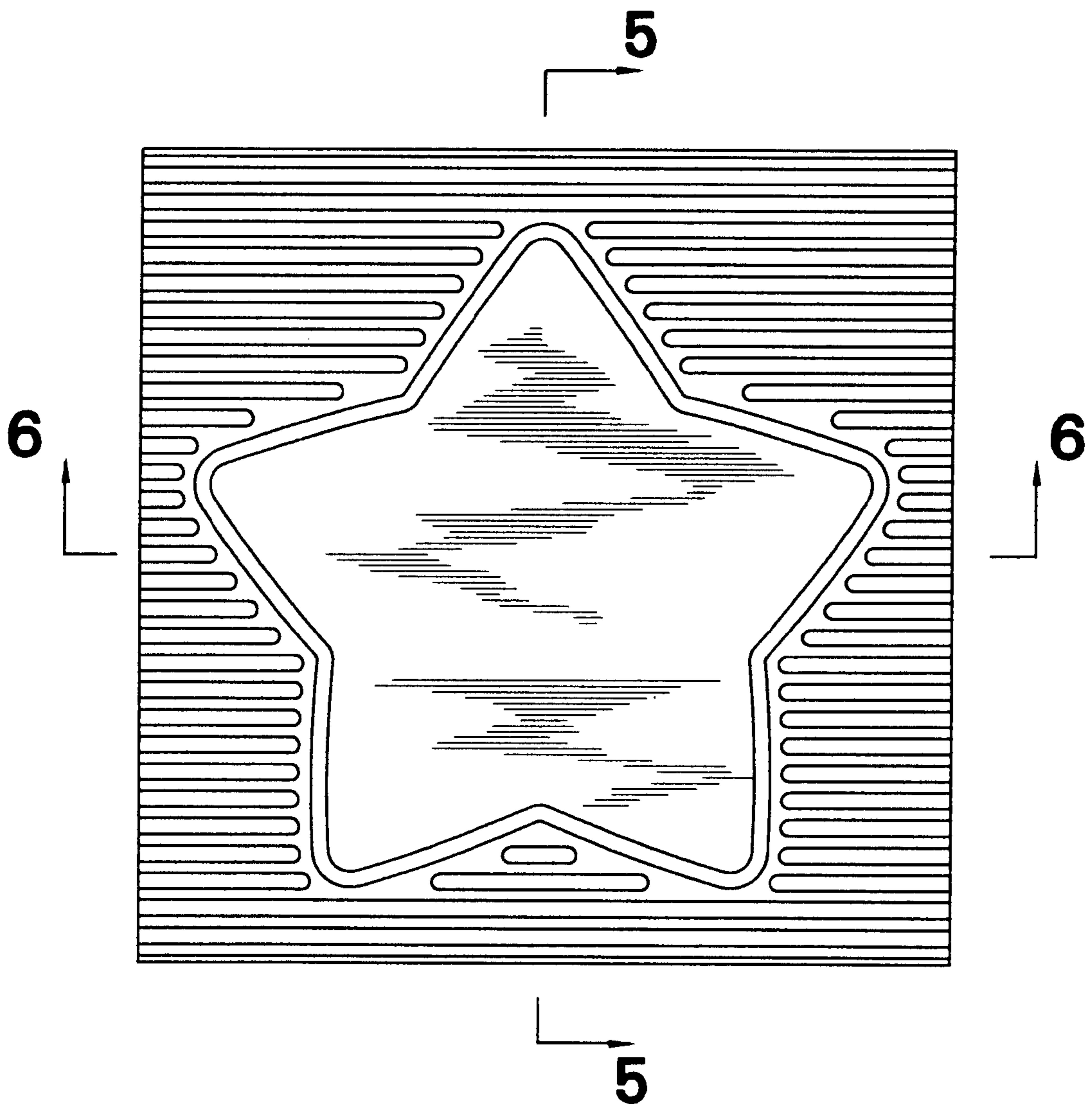
FIG. 1 is a front elevational view of an interior and exterior construction board having a patterned face and showing my new design, the rear elevational view being identical thereto; FIG. 2 is a top plan view thereof; FIG. 3 is a right side elevational view thereof, the left side elevational view being identical thereto; FIG. 4 is a bottom plan view thereof; FIG. 5 is a sectional view taken along line 5—5 of FIG. 2; and, FIG. 6 is a sectional view taken along line 6—6 of FIG. 2.

**1 Claim, 3 Drawing Sheets**

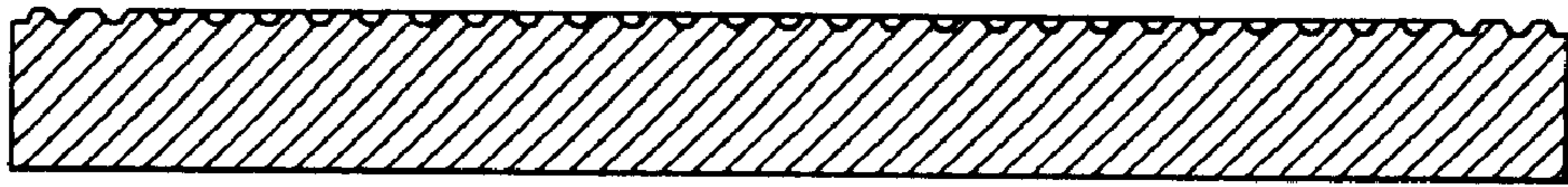




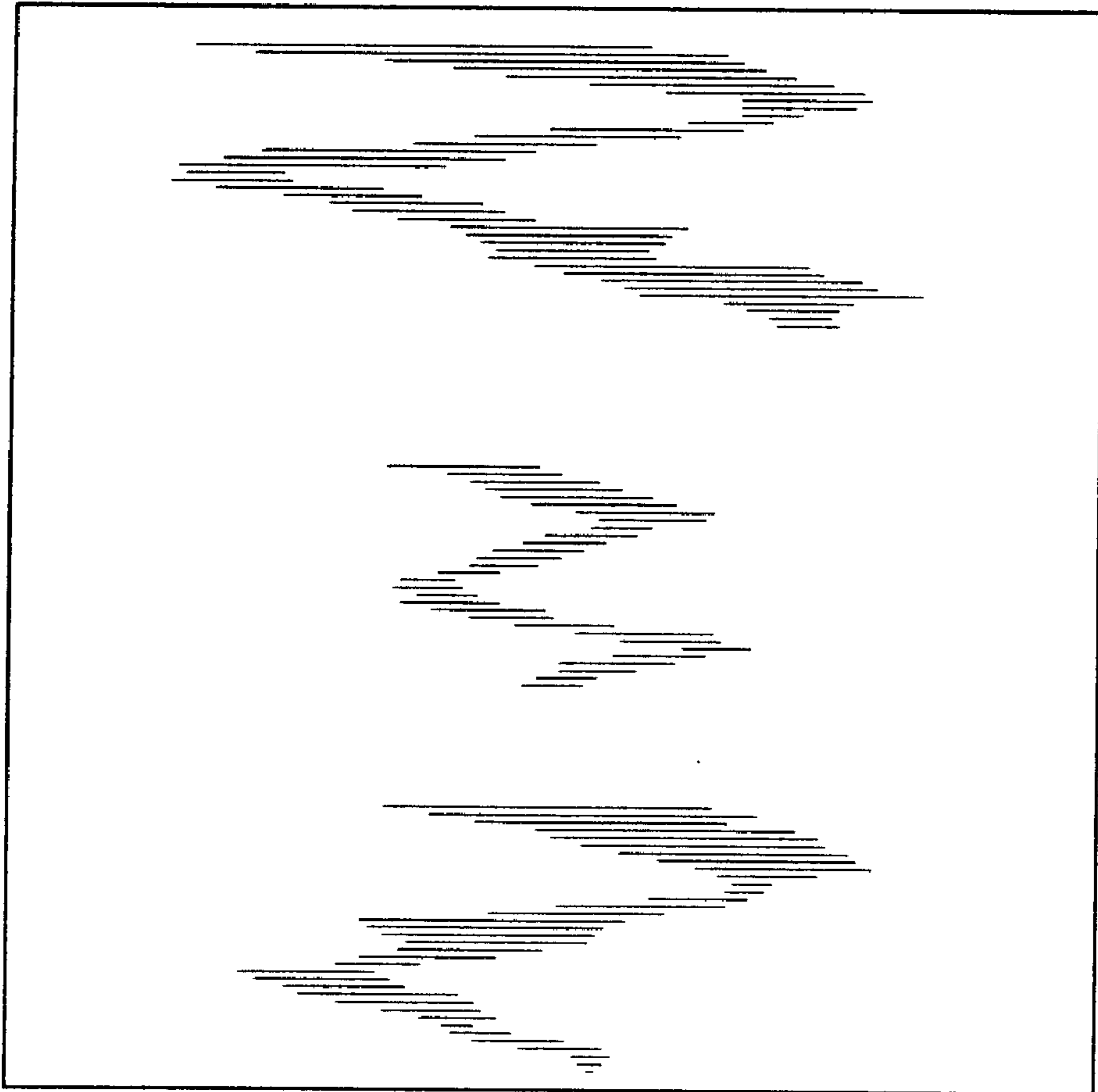
**FIG. 1**



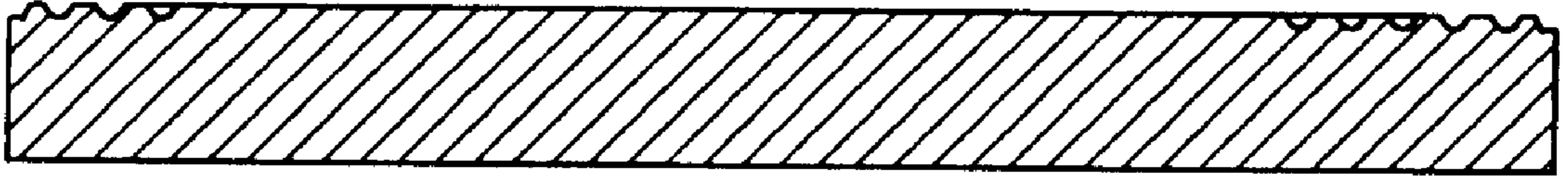
**FIG. 2**



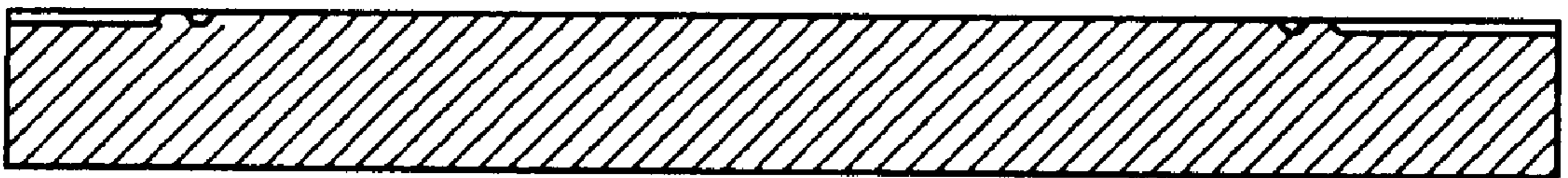
**FIG. 3**



**FIG. 4**



**FIG. 5**



**FIG. 6**