



US00D462788S

(12) **United States Design Patent** (10) **Patent No.:** **US D462,788 S**  
**Thornton et al.** (45) **Date of Patent:** **\*\* Sep. 10, 2002**

(54) **LOG PRODUCT**

(76) Inventors: **Patrick Thornton**, 33 Bridge Avenue, Oak Flats, New South Wales 2529 (AU); **Kevin James Walsh**, 109 Daltons Road, Jamberoo, New South Wales 2533 (AU)

(\*\*) Term: **14 Years**

(21) Appl. No.: **29/137,883**

(22) Filed: **Mar. 2, 2001**

(51) **LOC (7) Cl.** ..... **25-01**

(52) **U.S. Cl.** ..... **D25/121; D25/126**

(58) **Field of Search** ..... **D25/126, 121; 52/233**

(56) **References Cited**

**U.S. PATENT DOCUMENTS**

D203,663 S \* 2/1966 Blum et al. .... D25/121  
5,782,046 A \* 7/1998 Karlsson ..... 52/233

\* cited by examiner

*Primary Examiner*—Doris Clark

(74) *Attorney, Agent, or Firm*—Barnes & Thornburg

(57) **CLAIM**

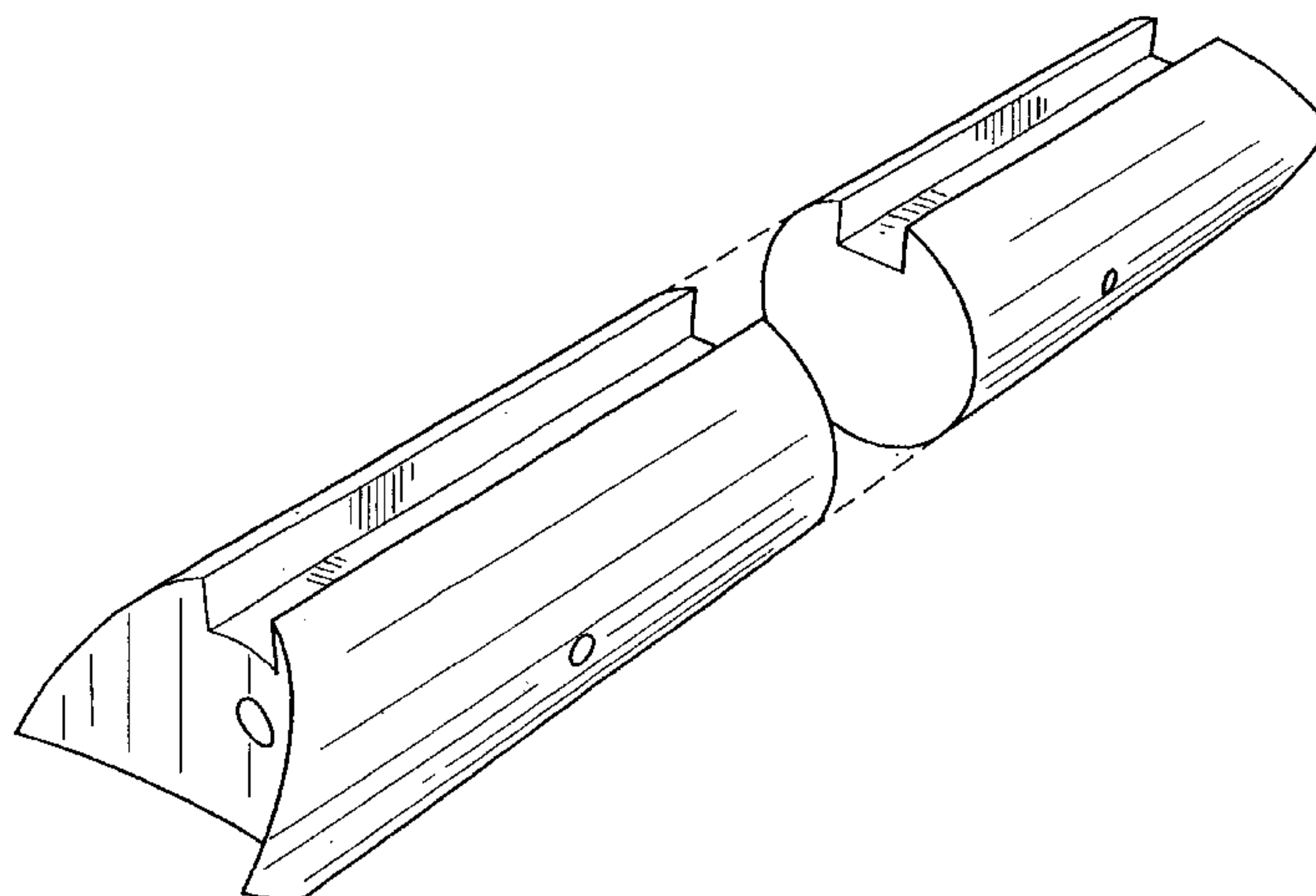
We claim the ornamental design for a log product, as shown and described.

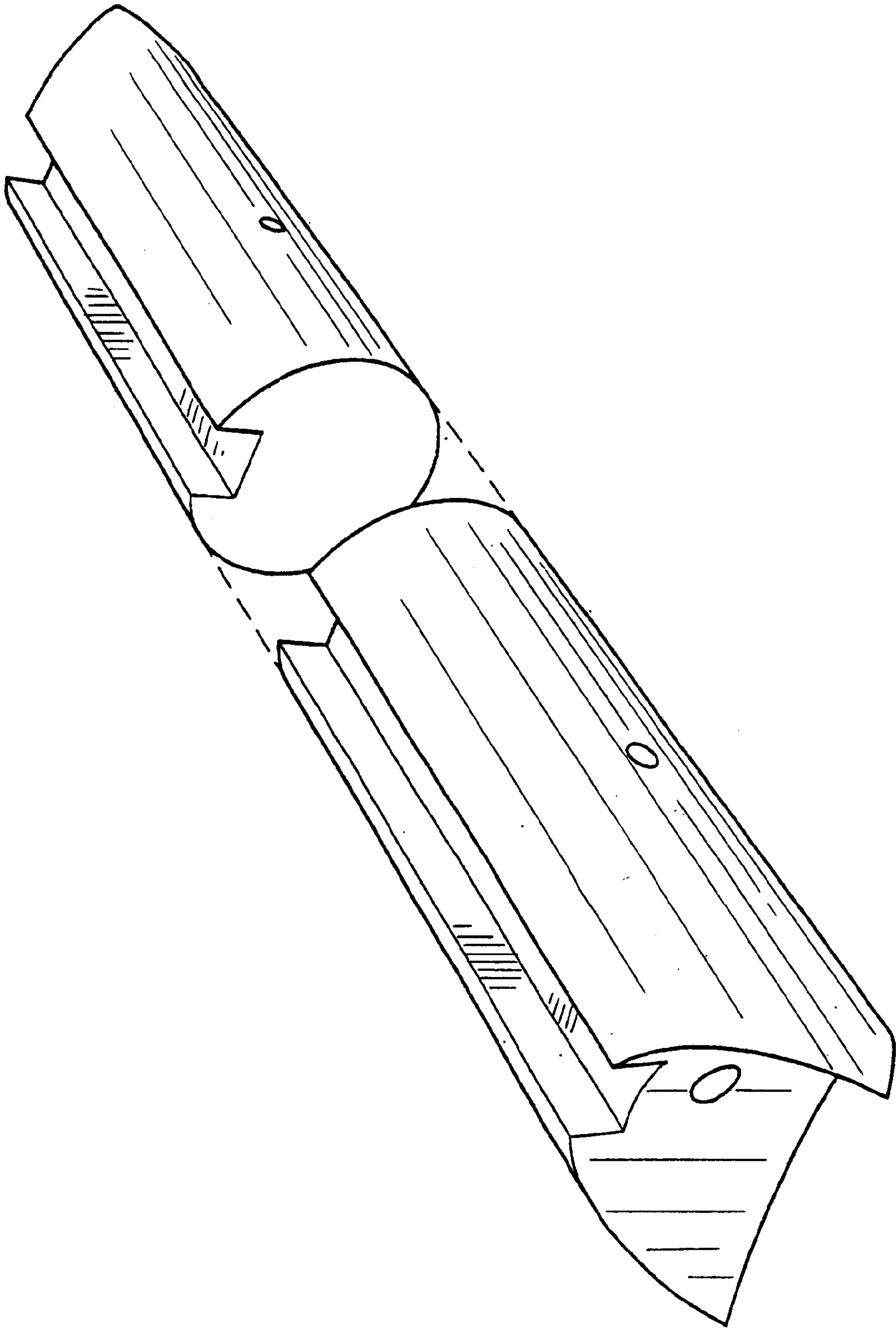
**DESCRIPTION**

FIG. 1 is a perspective view of the first embodiment of a log product incorporating the principles of the present invention. FIG. 2 is a plan view of the first embodiment. FIG. 3 is a side view of the first embodiment. FIG. 4 is an end view of the first embodiment. FIG. 5 is a perspective view of the second embodiment of a log product incorporating the principles of the present invention. FIG. 6 is a plan view of the second embodiment. FIG. 7 is a side view of the second embodiment. FIG. 8 is an end view of the second embodiment. FIG. 9 is a perspective view of the third embodiment of a log product incorporating the principles of the present invention. FIG. 10 is a plan view of the third embodiment. FIG. 11 is a side view of the third embodiment.

FIG. 12 is an end view of the third embodiment. FIG. 13 is a perspective view of the fourth embodiment of a log product incorporating the principles of the present invention. FIG. 14 is a plan view of the fourth embodiment. FIG. 15 is a side view of the fourth embodiment. FIG. 16 is an end view of the fourth embodiment. FIG. 17 is a perspective view of the fifth embodiment of a log product incorporating the principles of the present invention. FIG. 18 is a plan view of the fifth embodiment. FIG. 19 is a side view of the fifth embodiment. FIG. 20 is an end view of the fifth embodiment. FIG. 21 is a perspective view of the sixth embodiment of a log product incorporating the principles of the present invention. FIG. 22 is a plan view of the sixth embodiment. FIG. 23 is a side view of the sixth embodiment. FIG. 24 is an end view of the sixth embodiment. FIG. 25 is a perspective view of the seventh embodiment of a log product incorporating the principles of the present invention. FIG. 26 is a plan view of the seventh embodiment. FIG. 27 is a side view of the seventh embodiment. FIG. 28 is an end view of the seventh embodiment. FIG. 29 is a perspective view of the eighth embodiment of a log product incorporating the principles of the present invention. FIG. 30 is a plan view of the eighth embodiment. FIG. 31 is a side view of the eighth embodiment. FIG. 32 is an end view of the eighth embodiment. FIG. 33 is a perspective view of the ninth embodiment of a log product incorporating the principles of the present invention. FIG. 34 is a plan view of the ninth embodiment. FIG. 35 is a side view of the ninth embodiment. FIG. 36 is an end view of the ninth embodiment. FIG. 37 is a perspective view of the tenth embodiment of a log product incorporating the principles of the present invention. FIG. 38 is a plan view of the tenth embodiment. FIG. 39 is a side view of the tenth embodiment; and, FIG. 40 is an end view of the tenth embodiment. The broken line shown in the Drawings are used to designate features of varying length.

**1 Claim, 20 Drawing Sheets**





*FIG. 1*

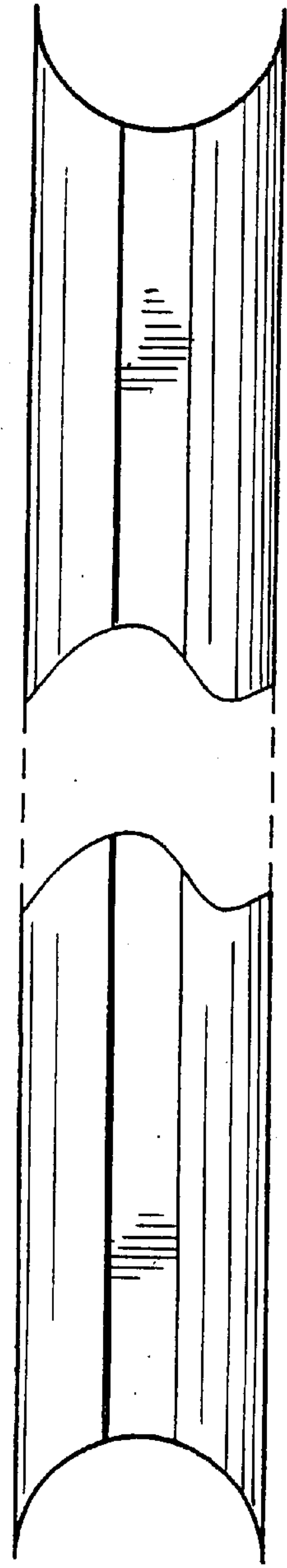


FIG. 2

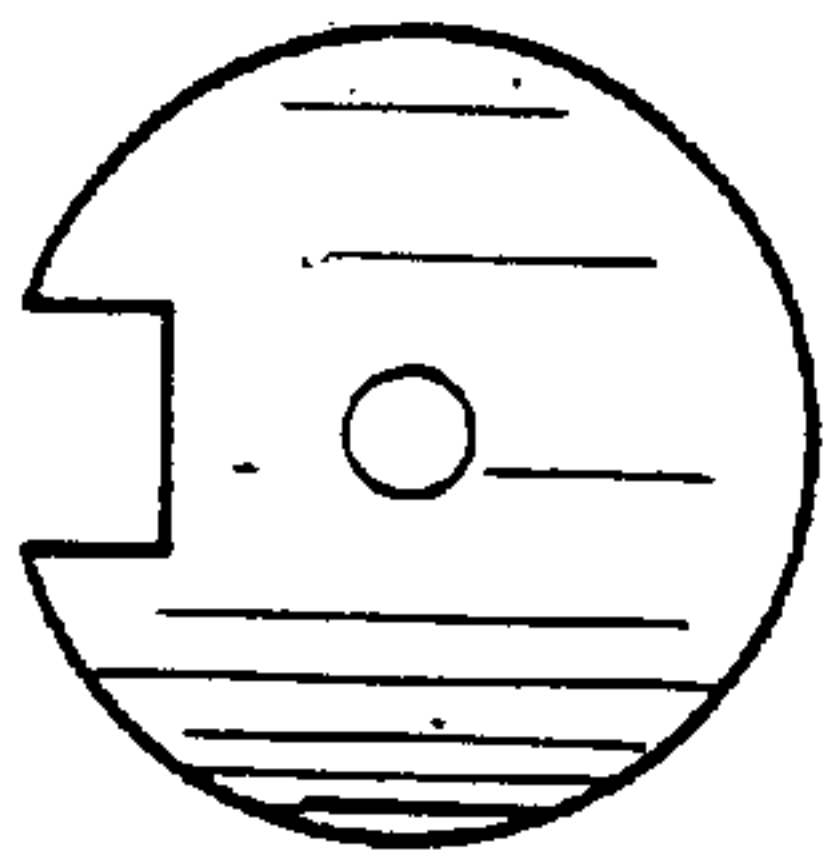


FIG. 4A

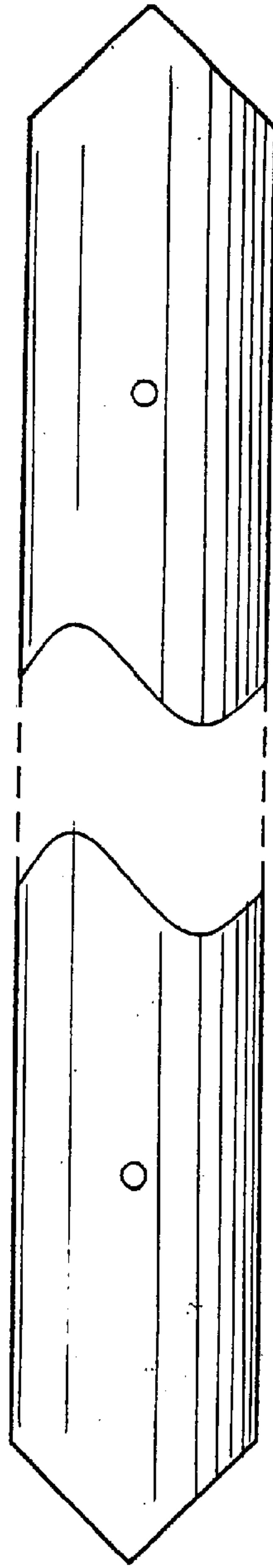


FIG. 3

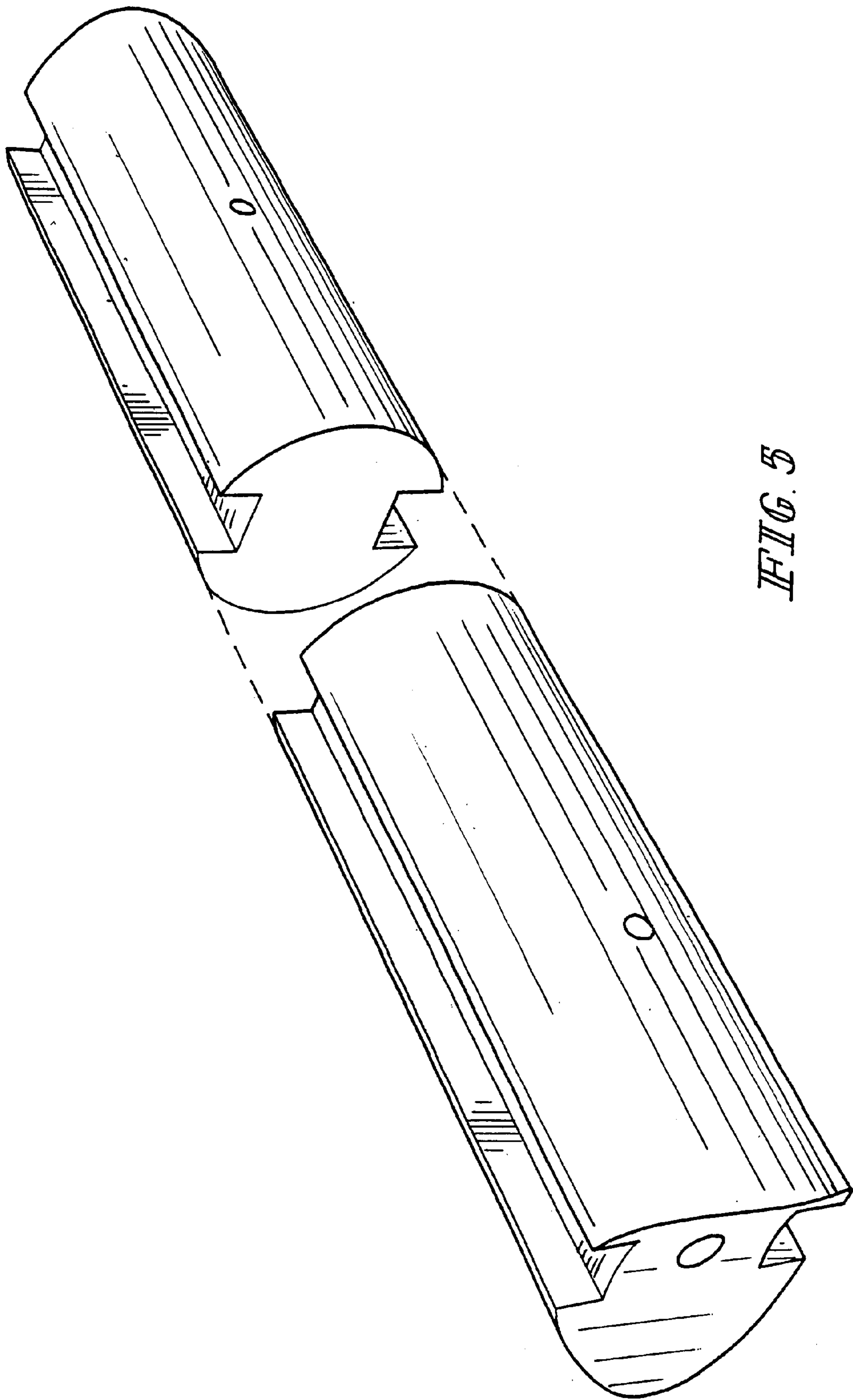


FIG. 5



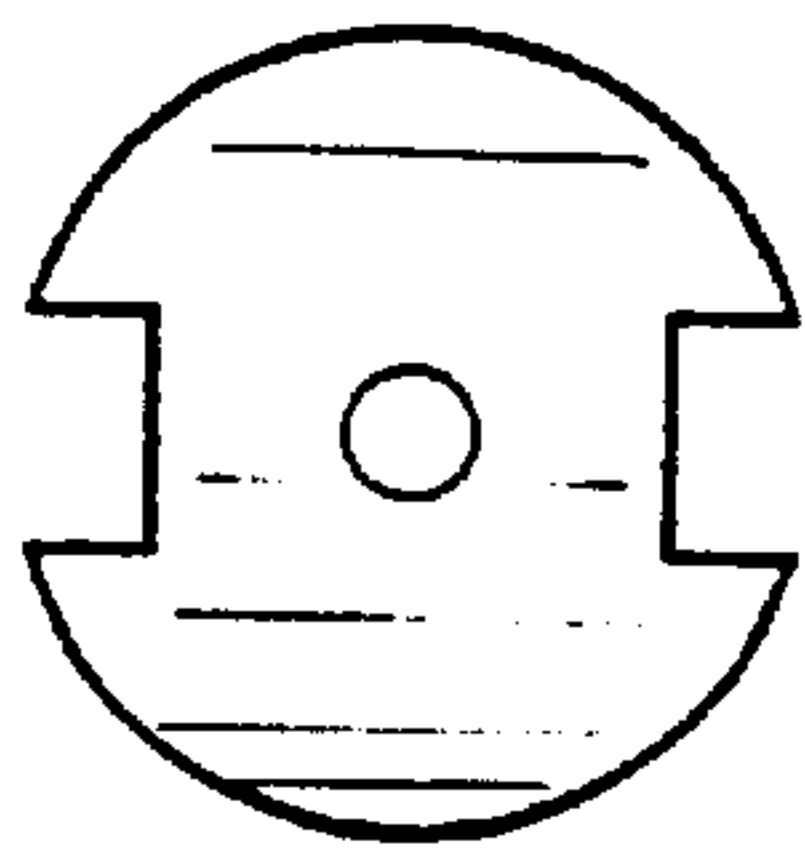


FIG. 8

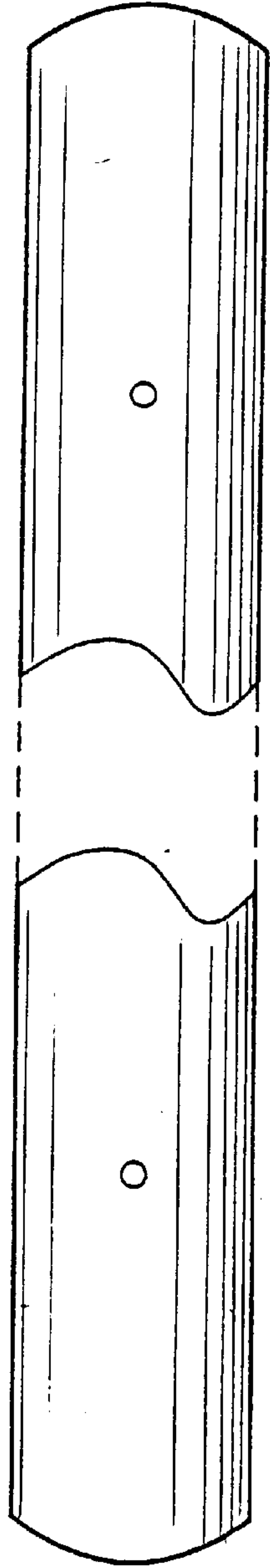


FIG. 7

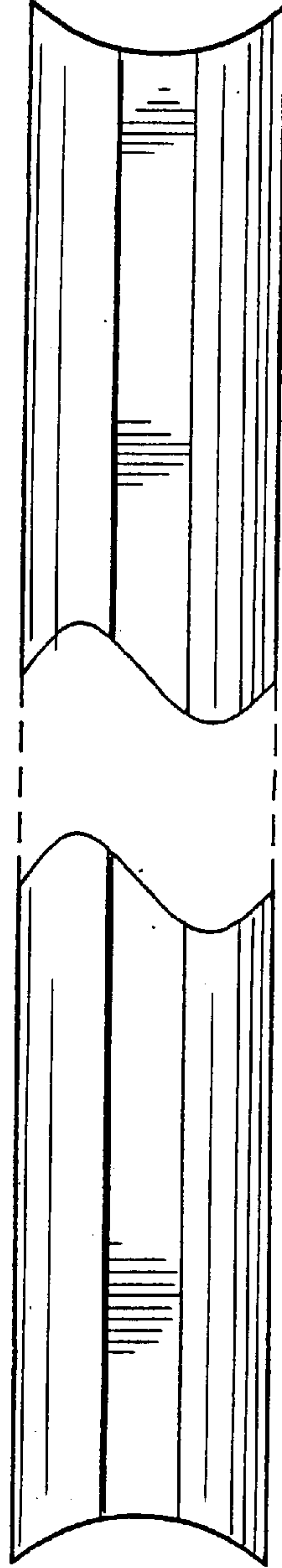


FIG. 6

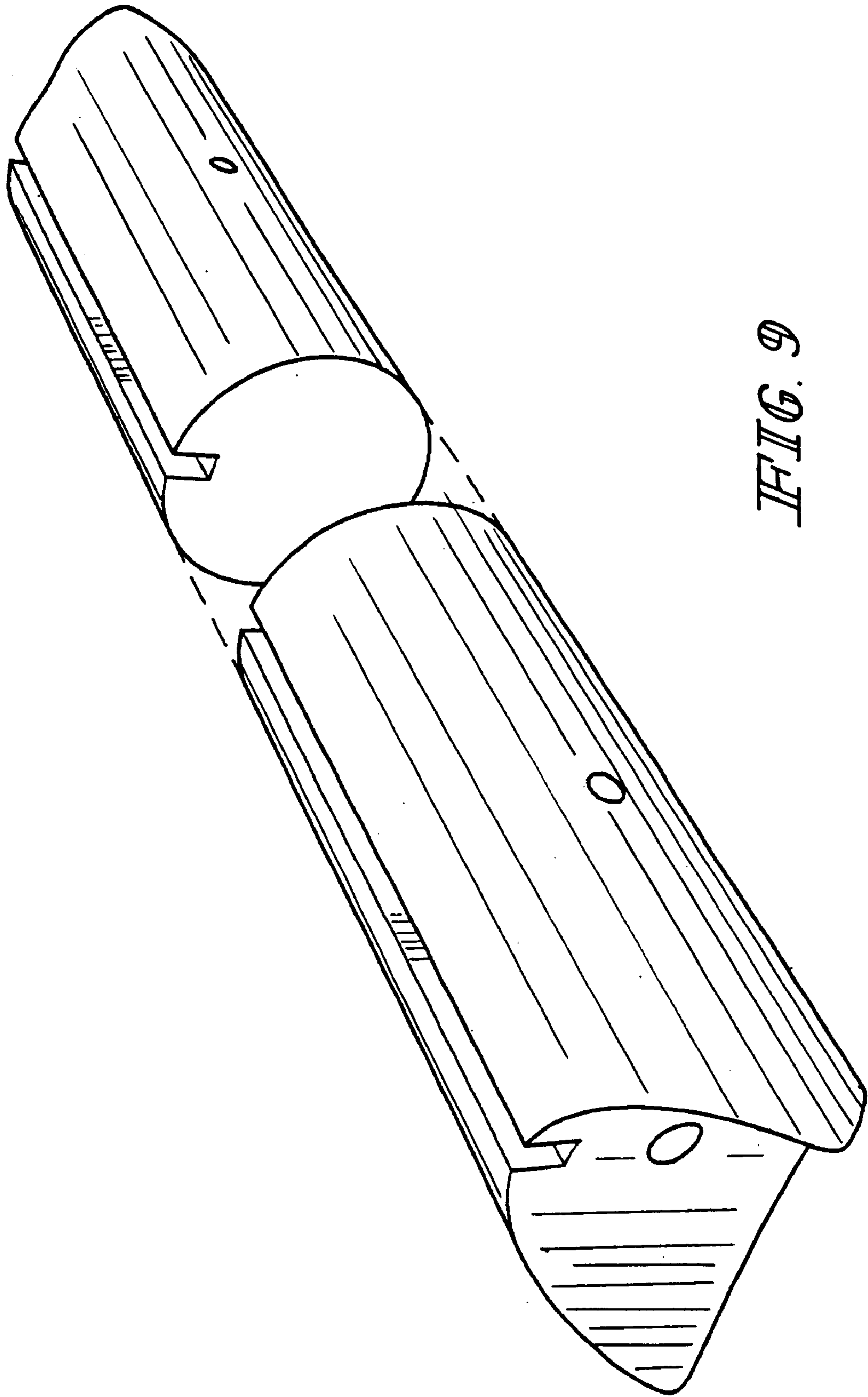


FIG. 9

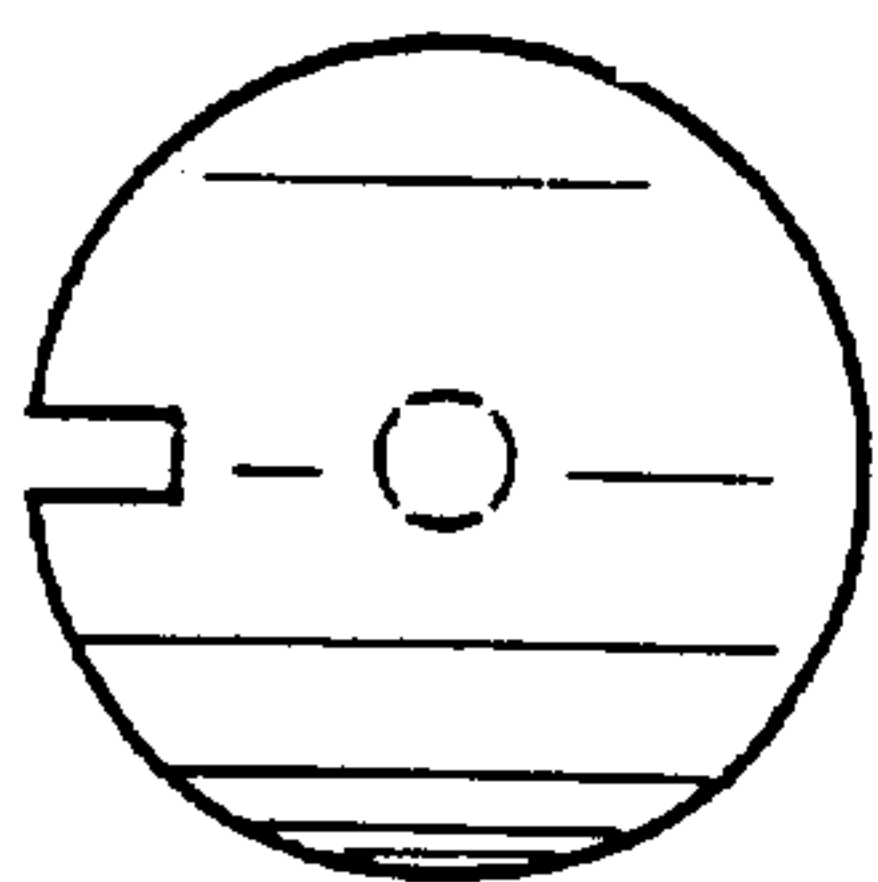


FIG. 12

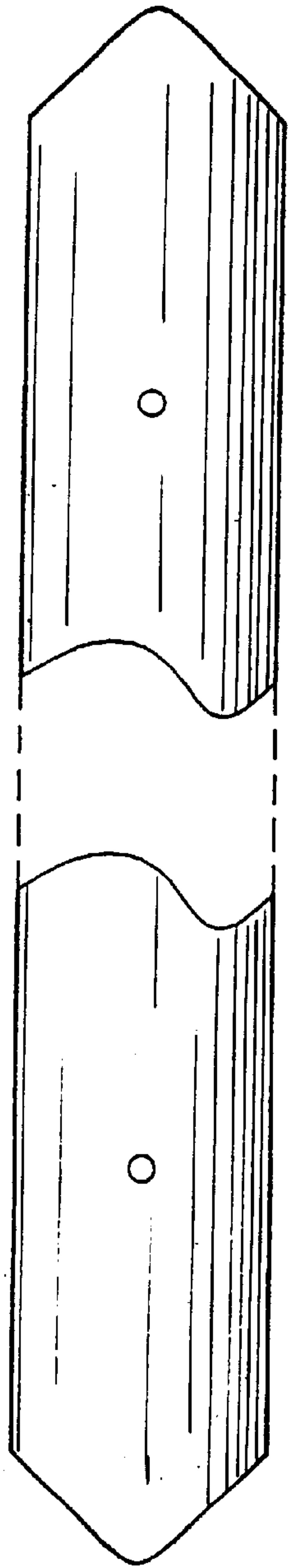


FIG. 11

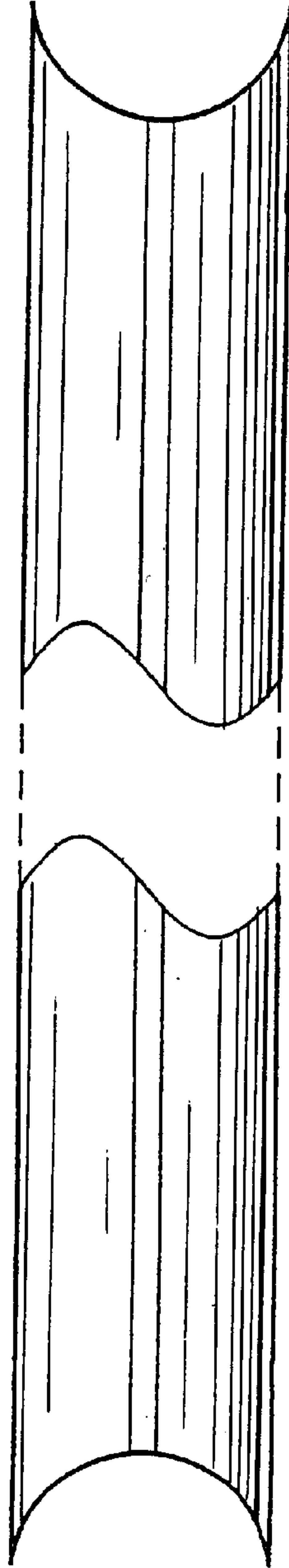
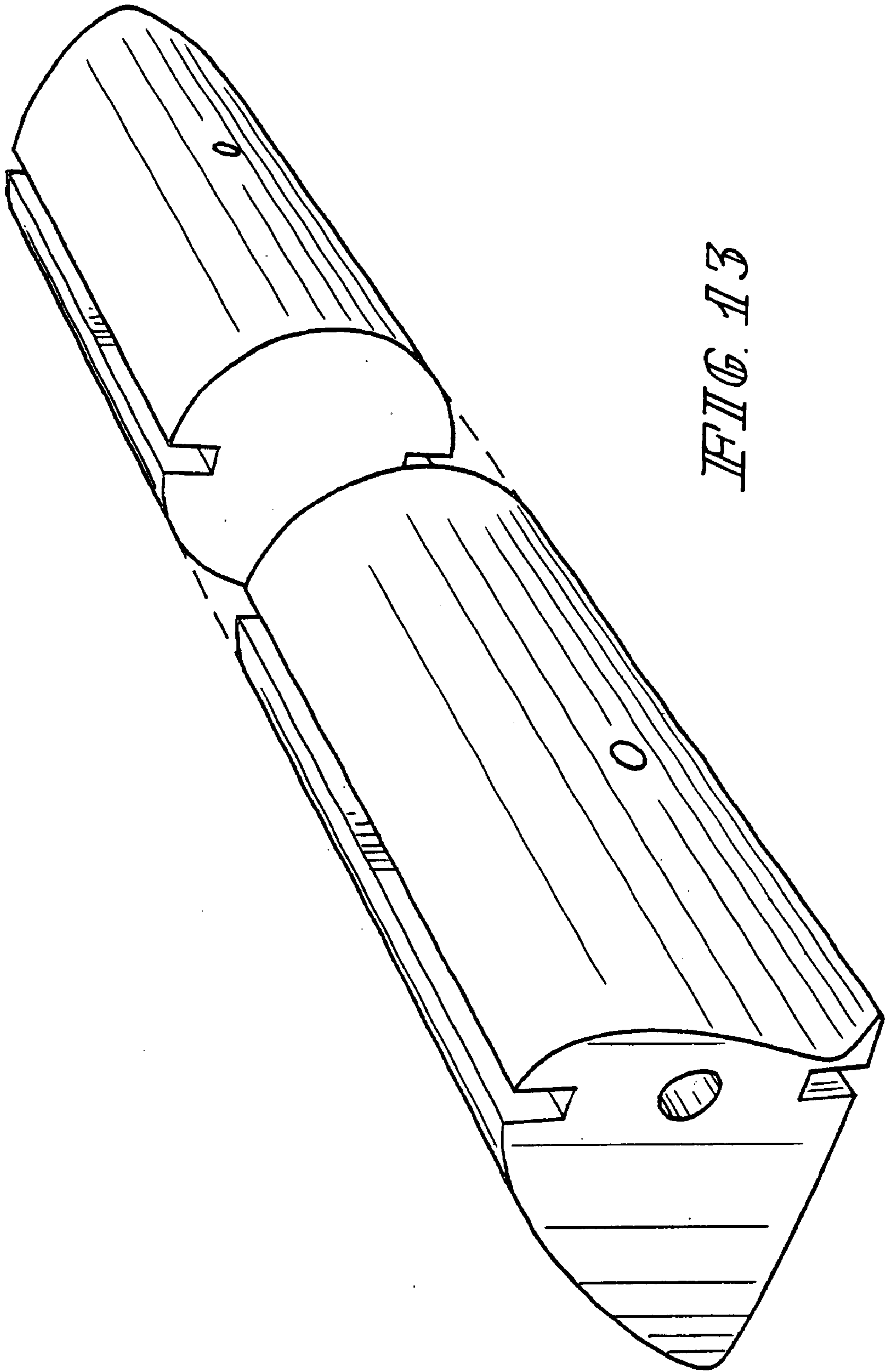
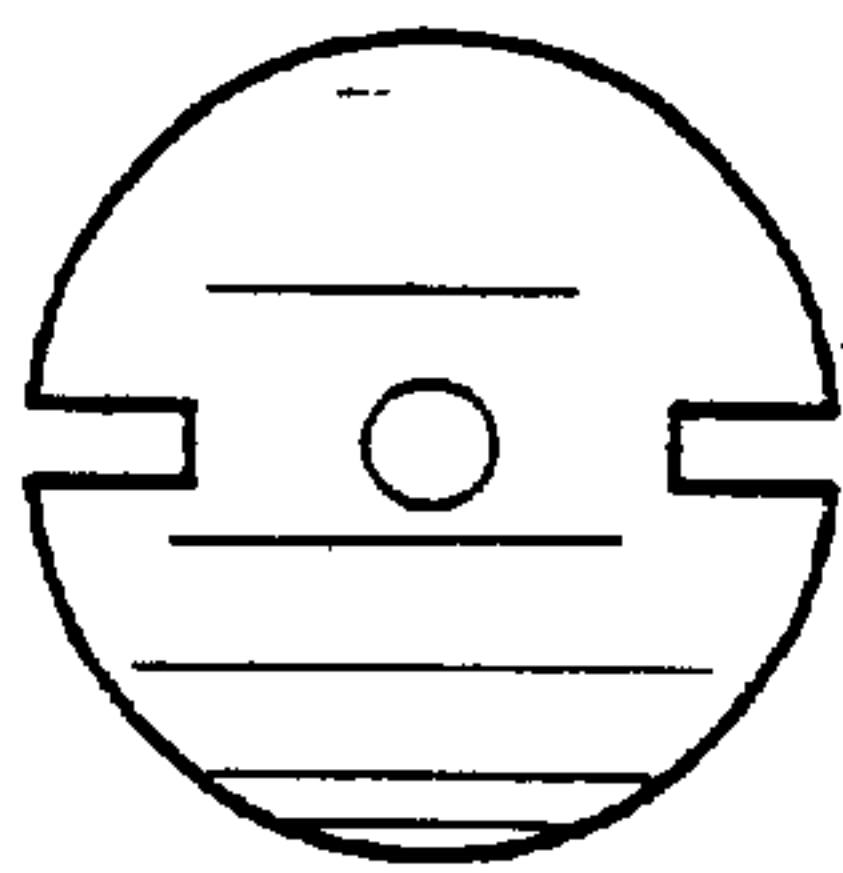


FIG. 10

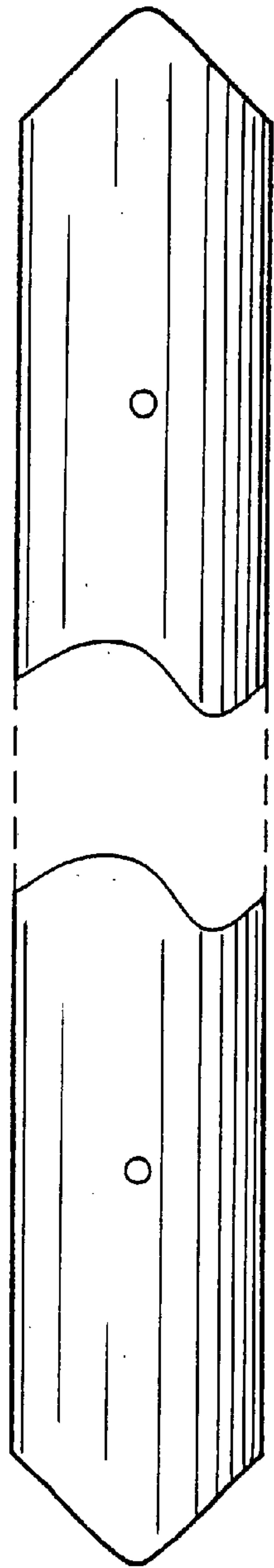


*FIG. 13*

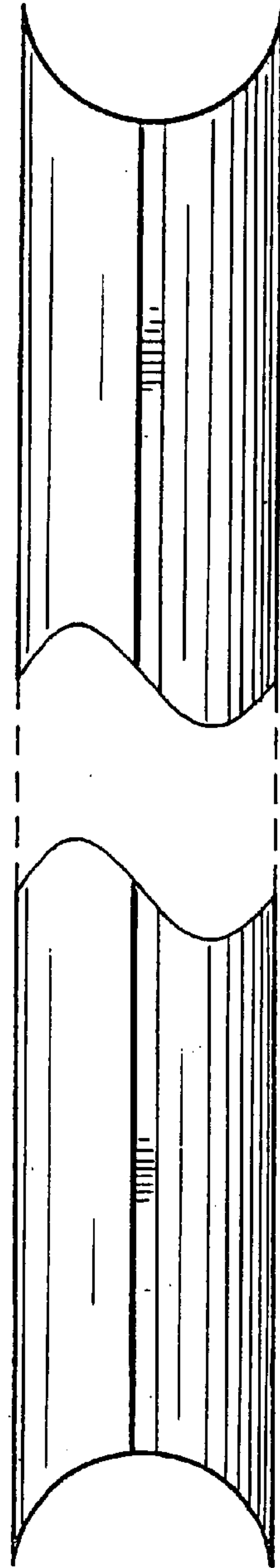




*FIG. 16*



*FIG. 15*



*FIG. 14*

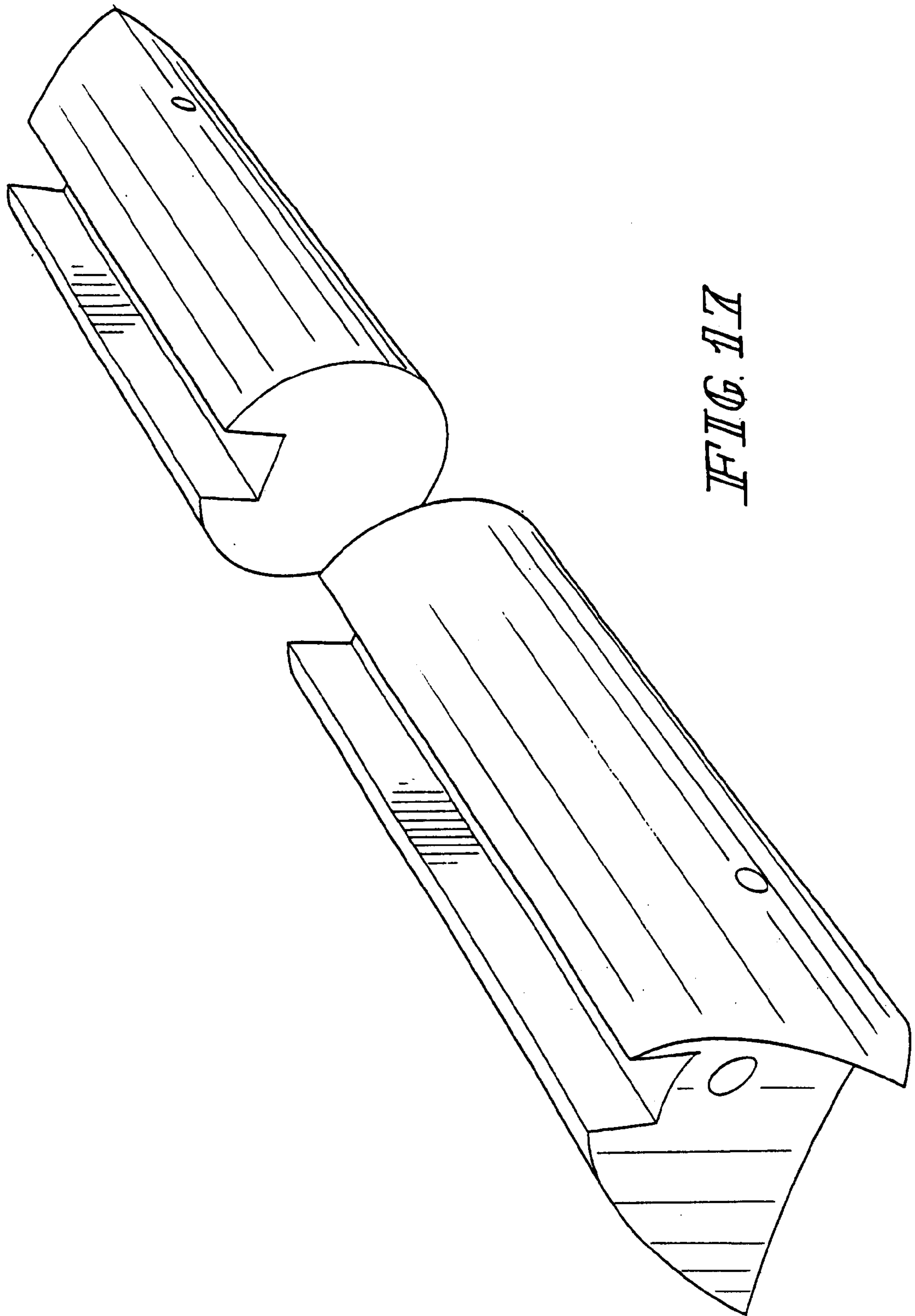


FIG. 17

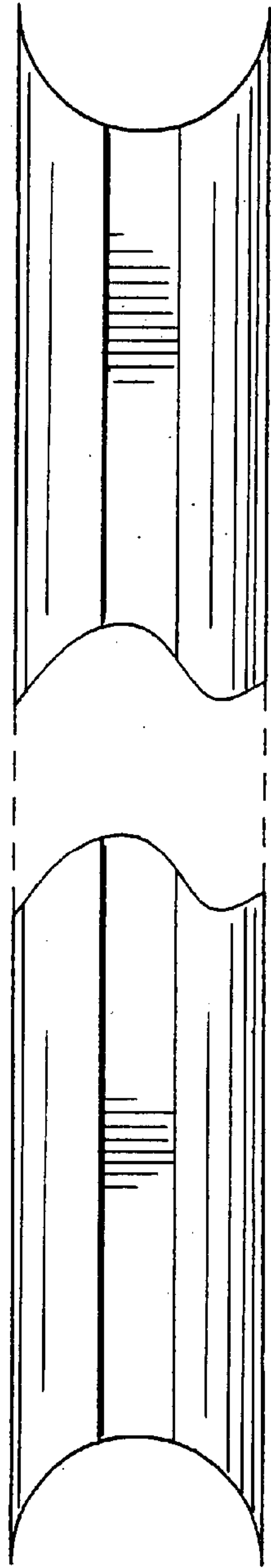


FIG. 18

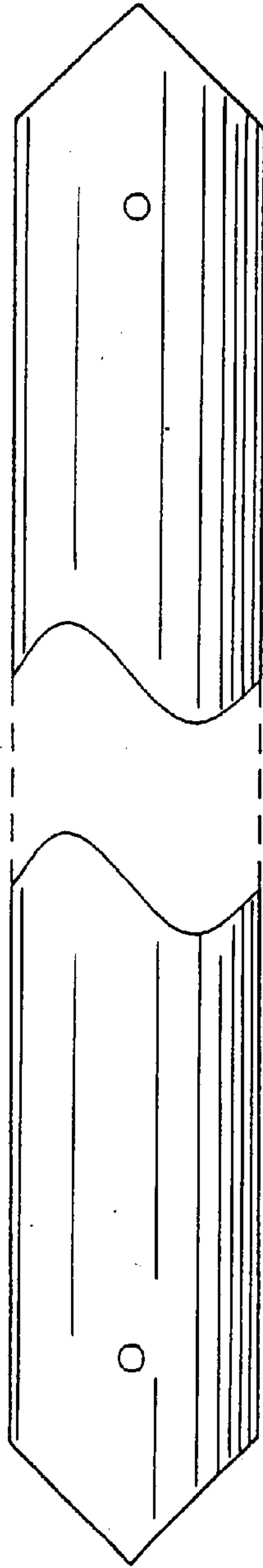


FIG. 19

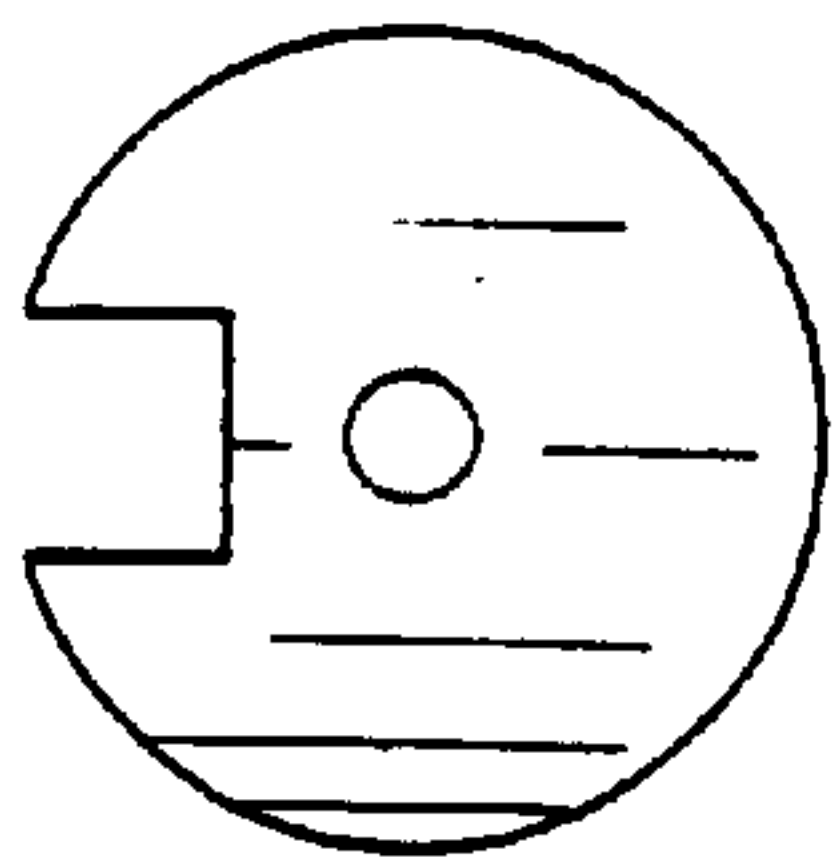
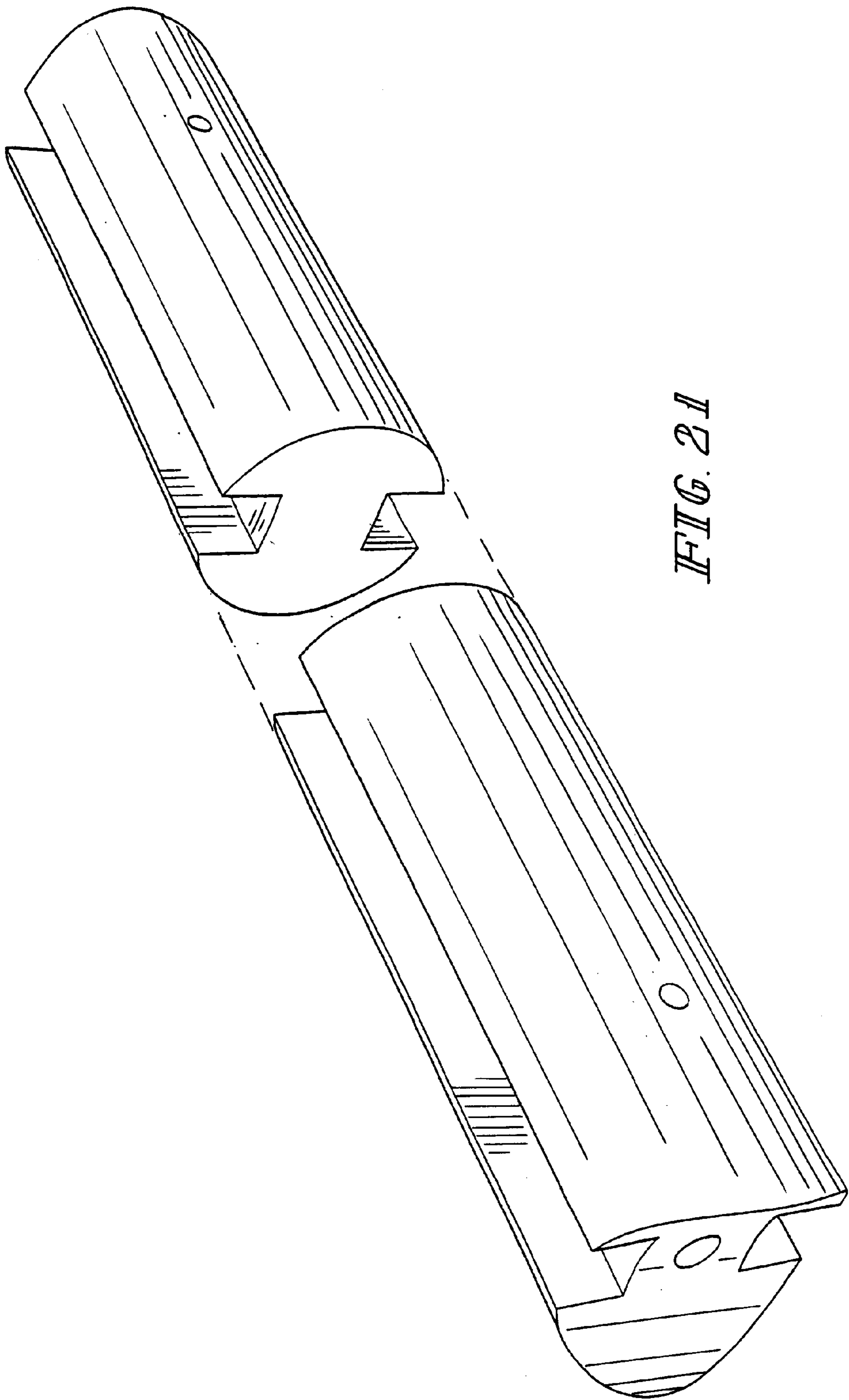


FIG. 20



*FIG. 21*

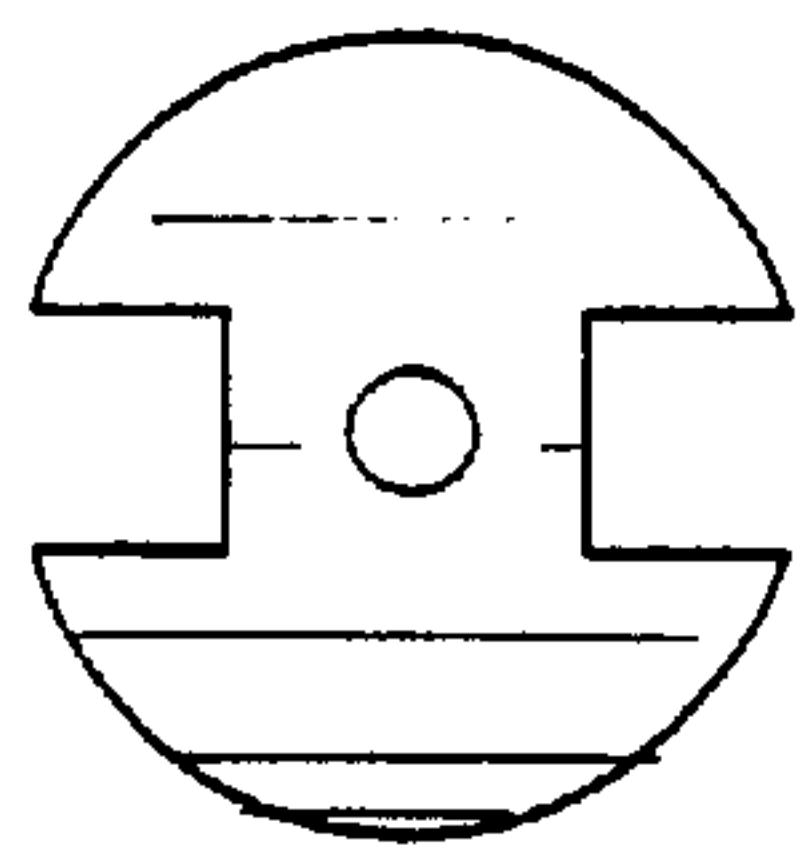


FIG. 24

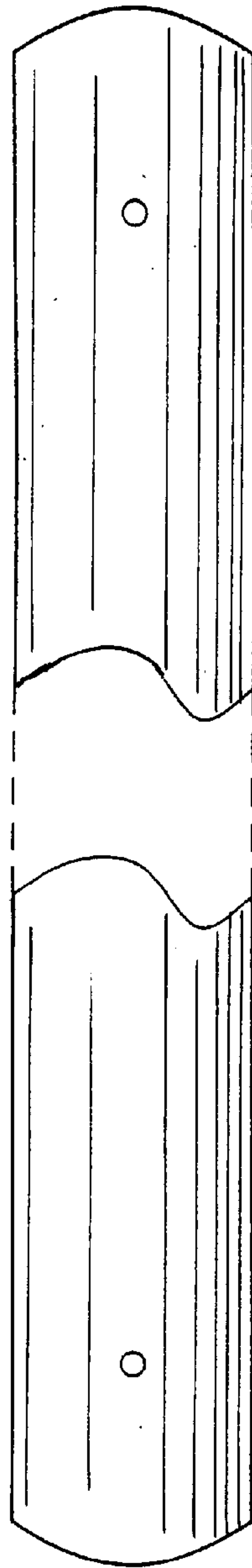


FIG. 22

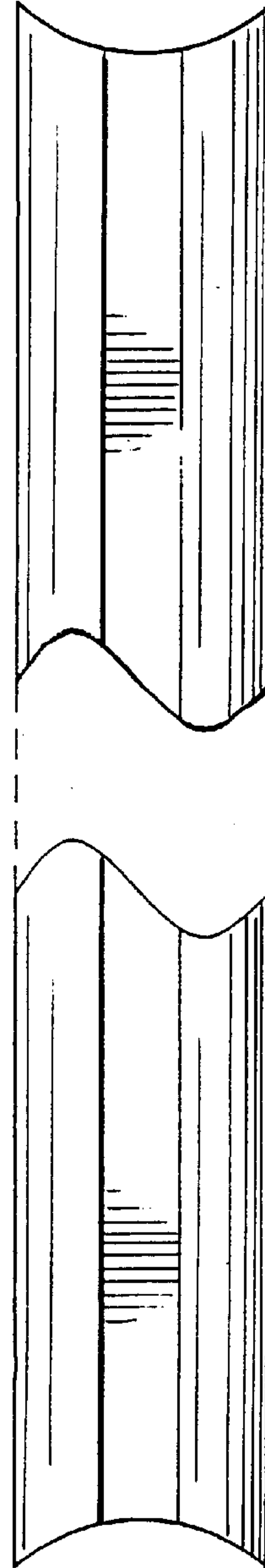


FIG. 23



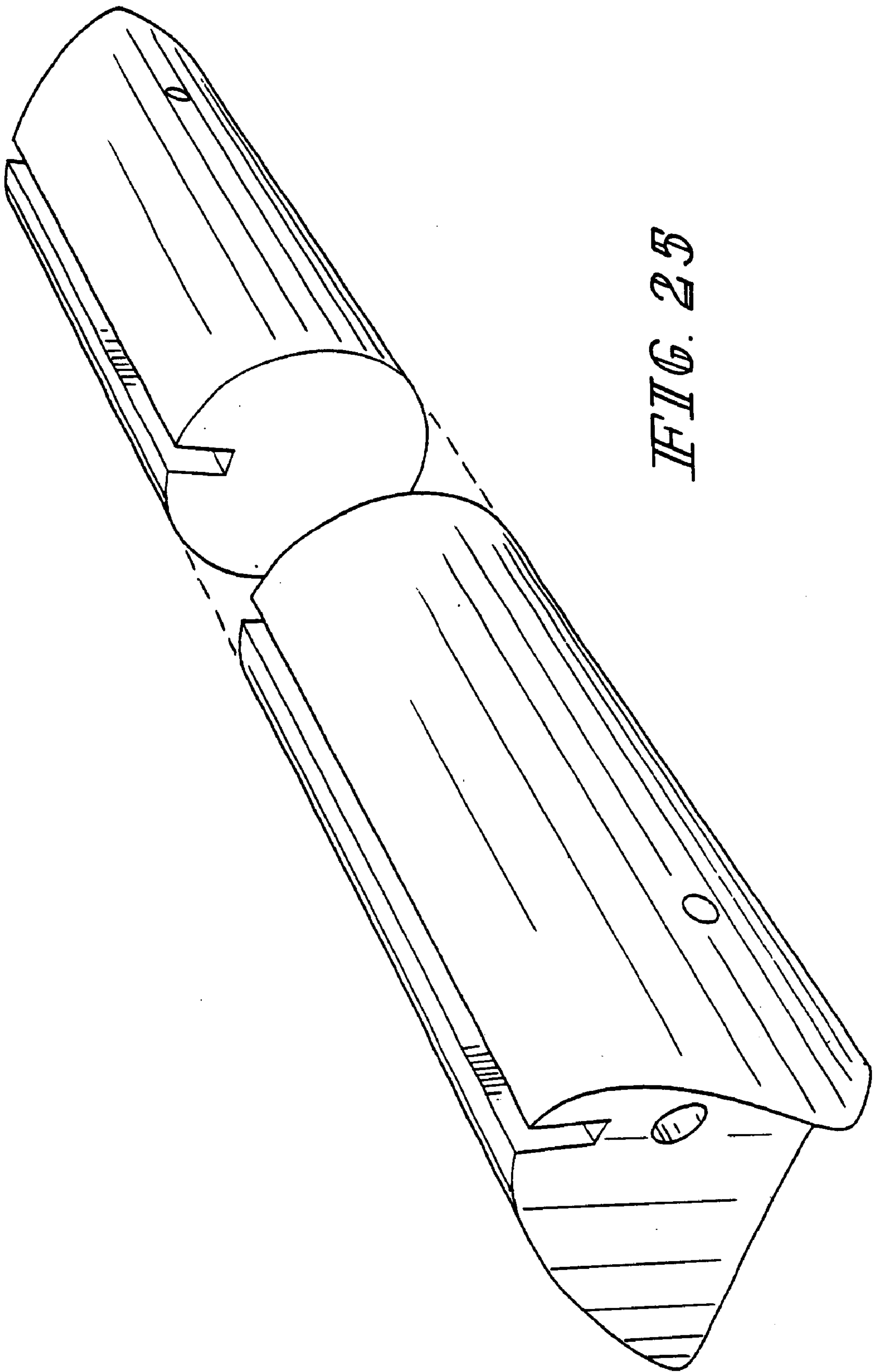


FIG. 25

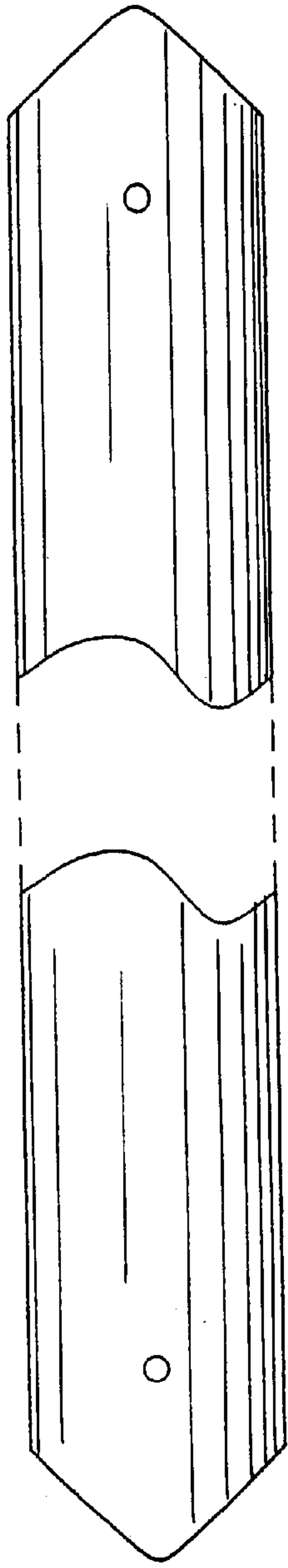


FIG. 27

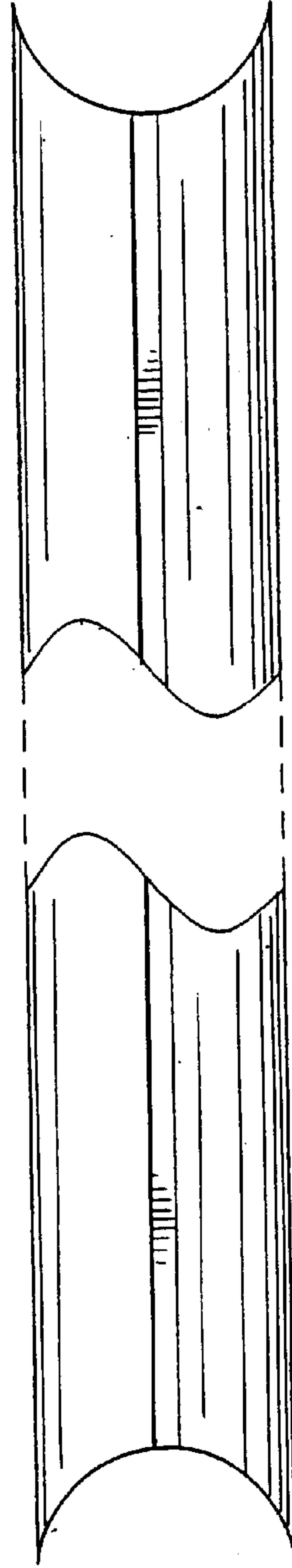


FIG. 26

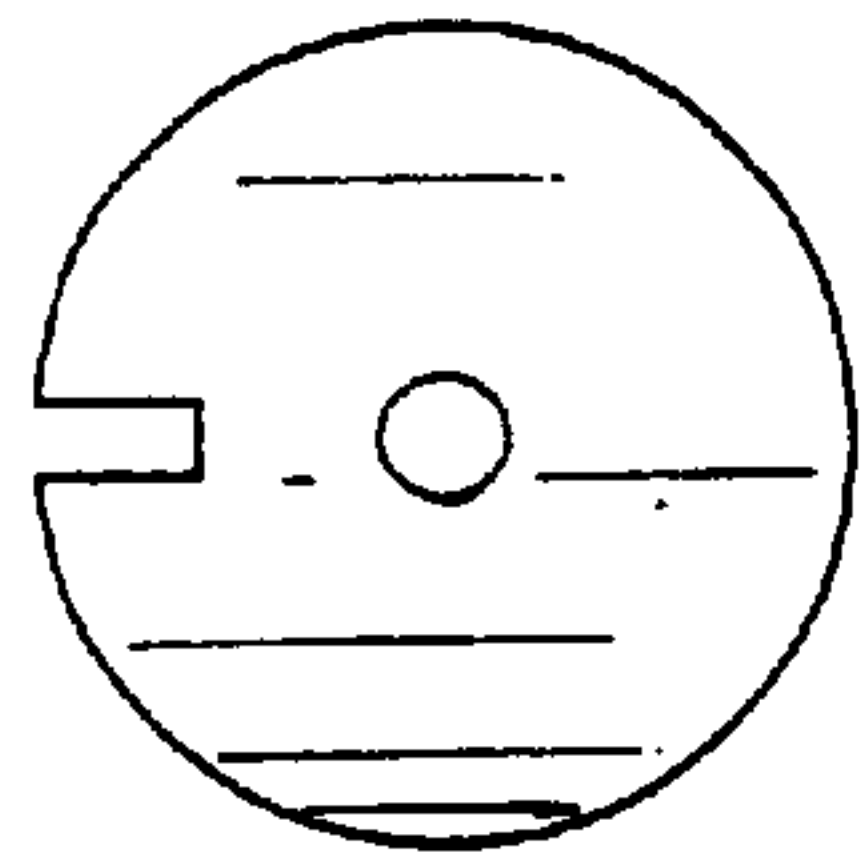


FIG. 28

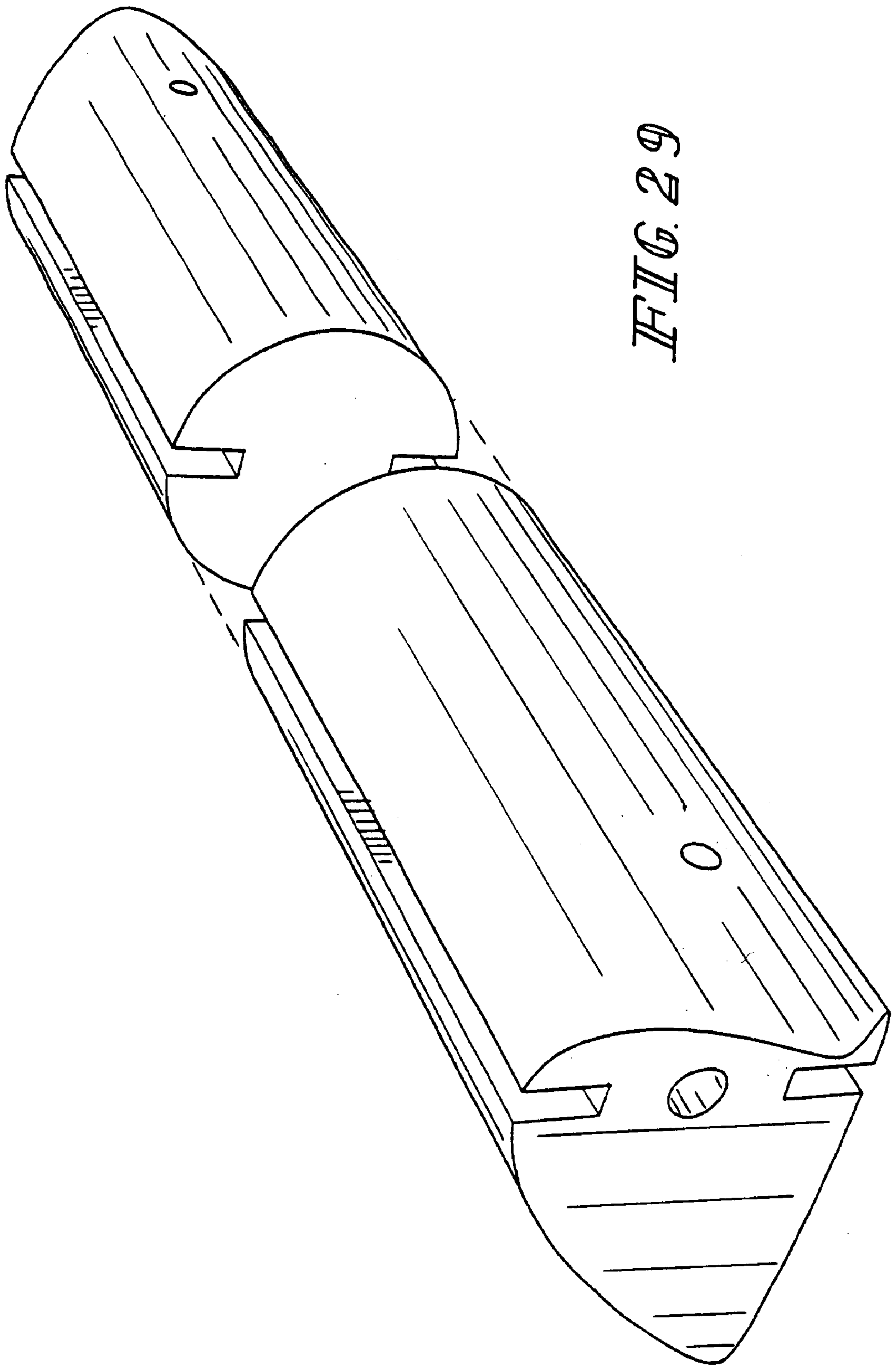


FIG. 29

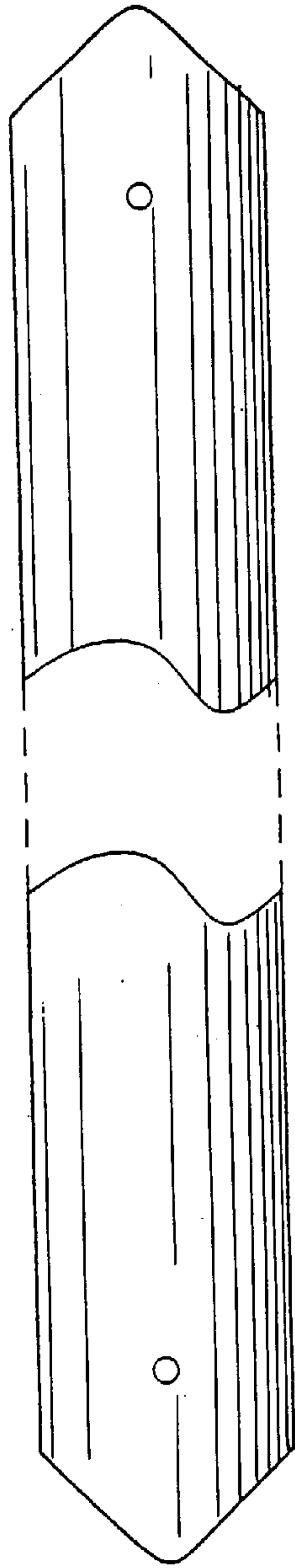


FIG. 31

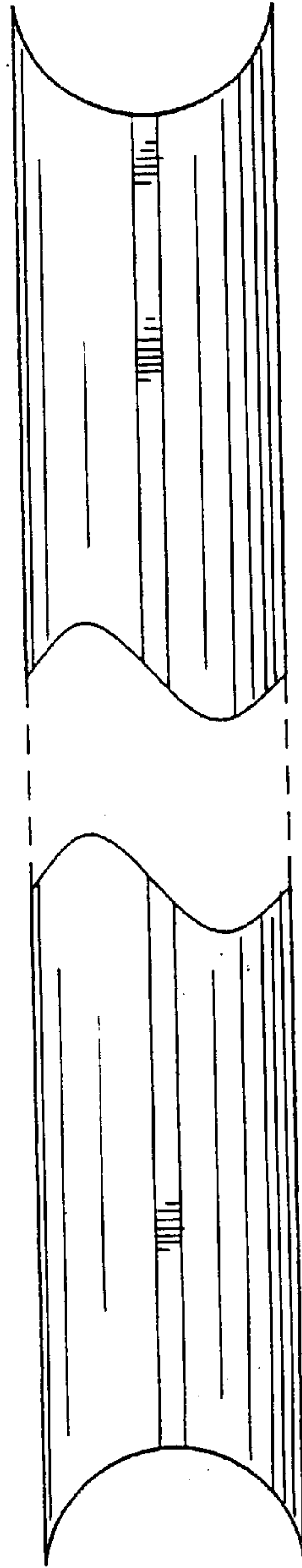


FIG. 30

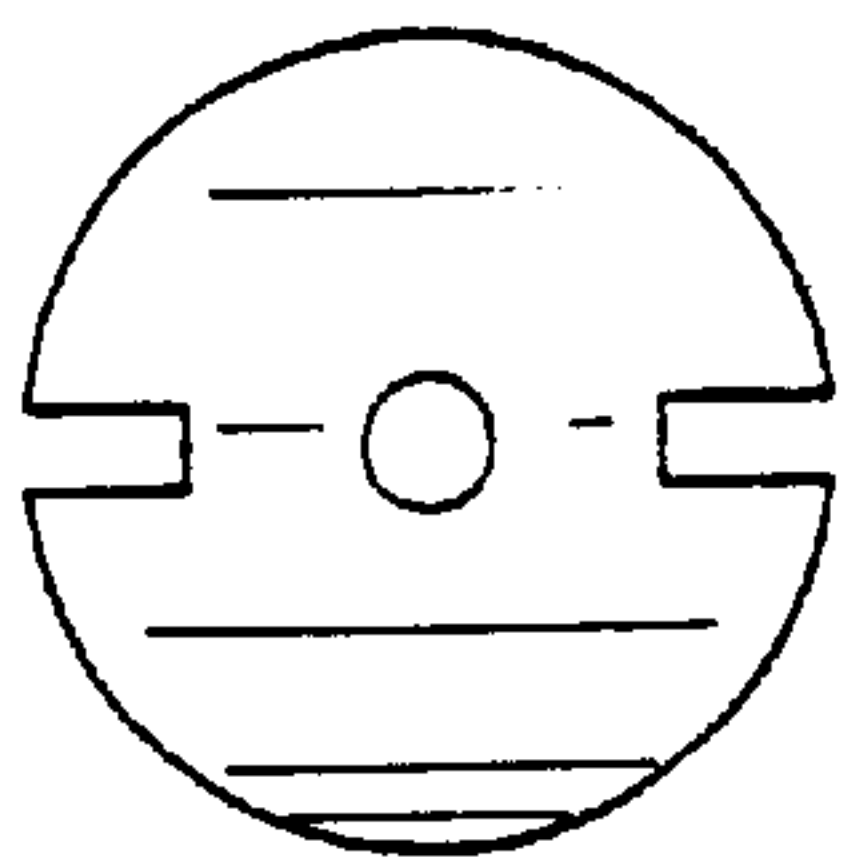
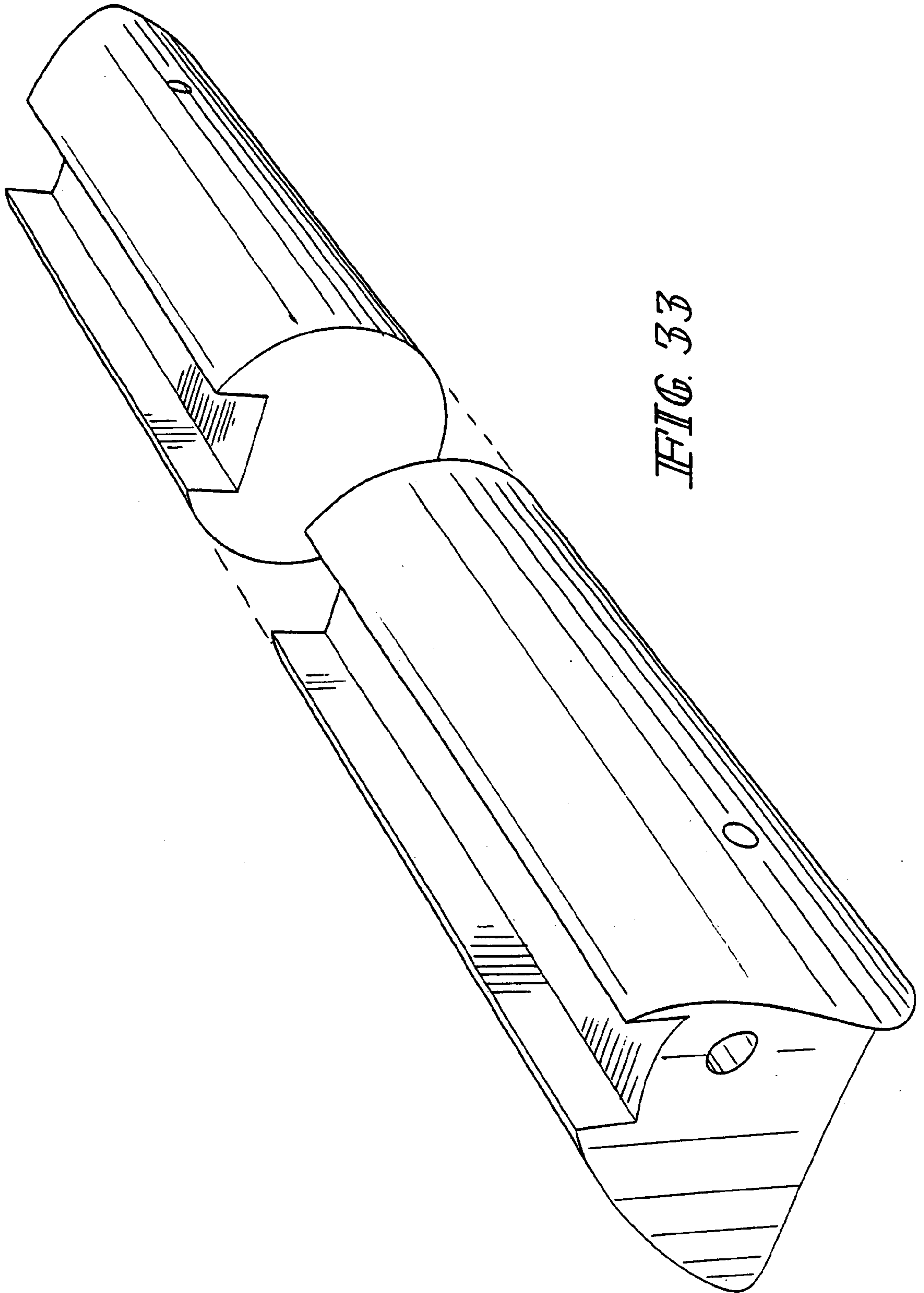


FIG. 32





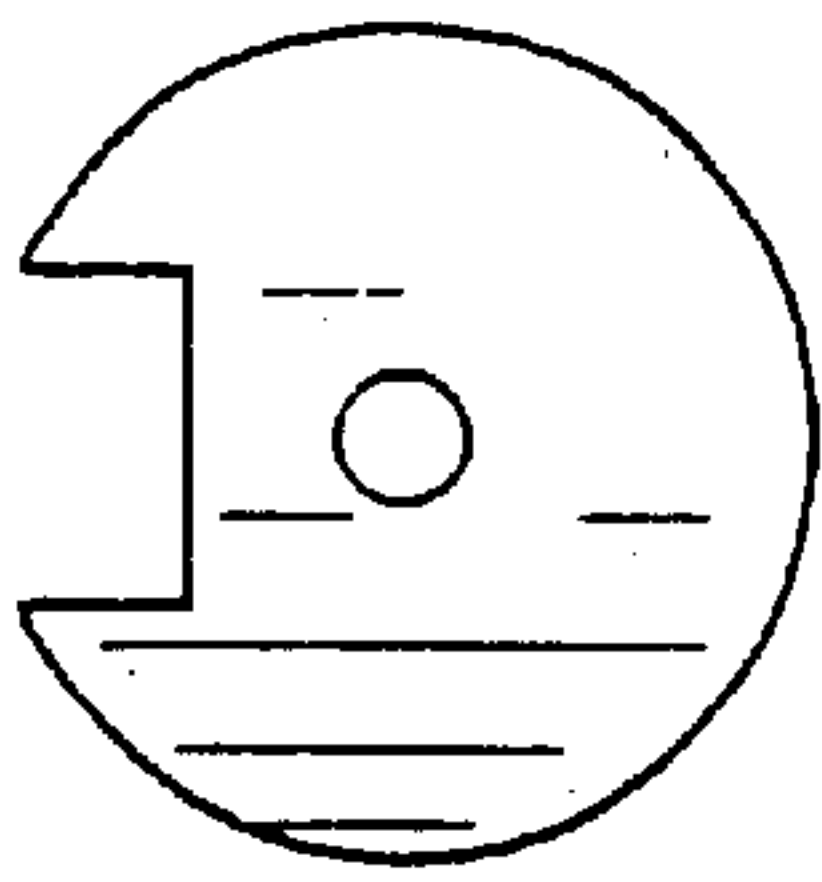


FIG. 36

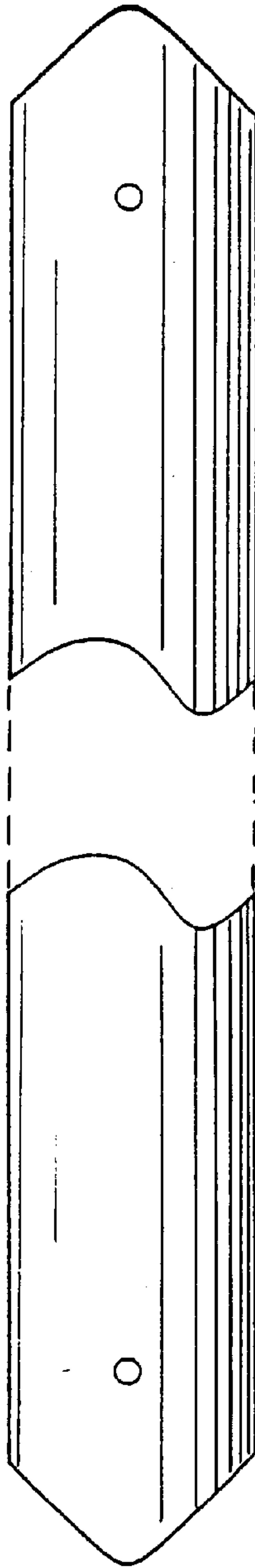


FIG. 35

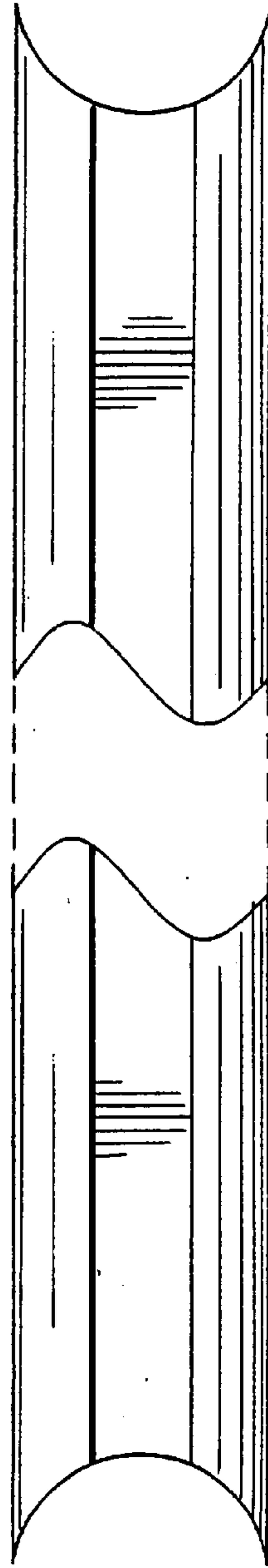


FIG. 34

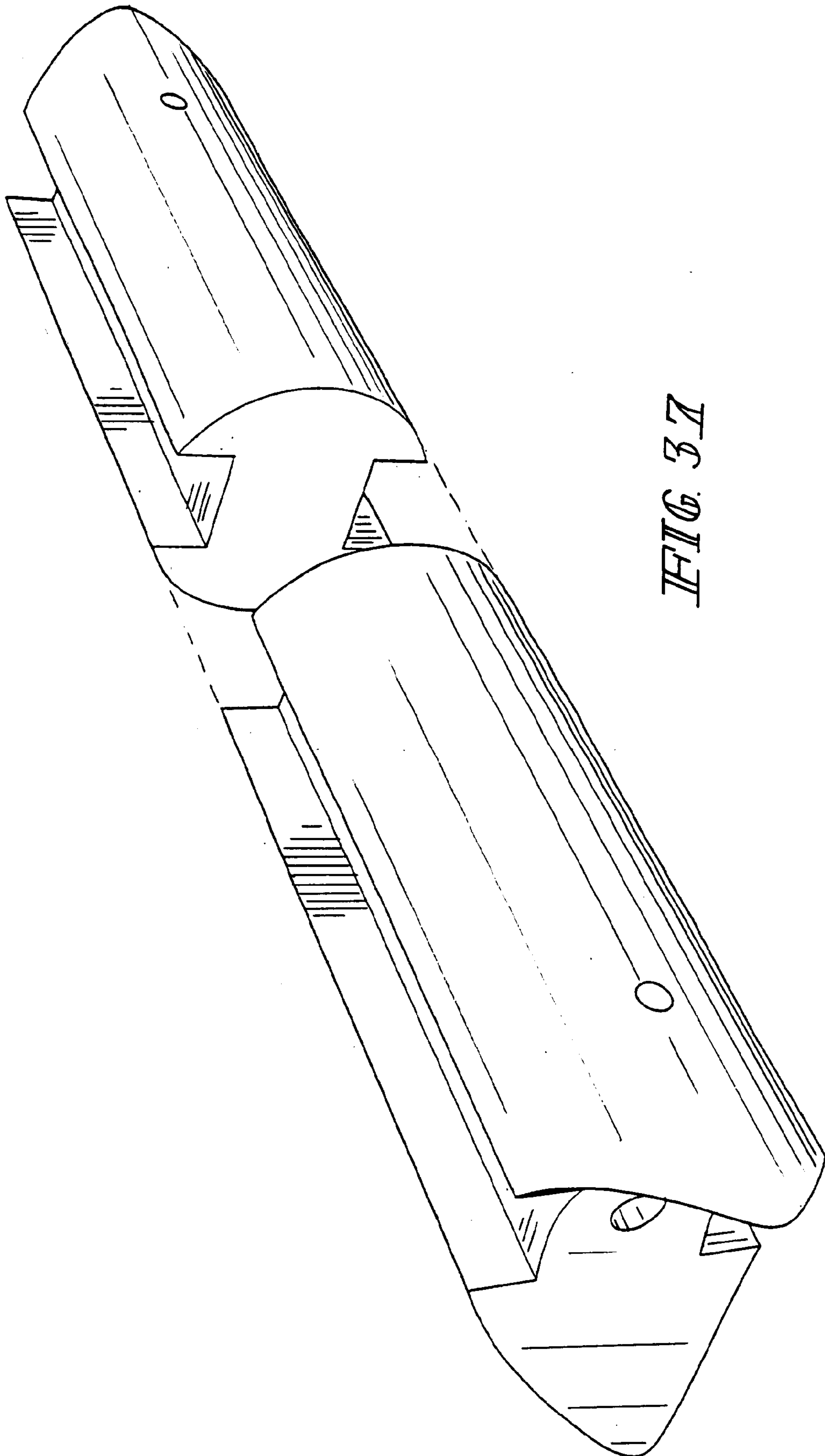


FIG. 37

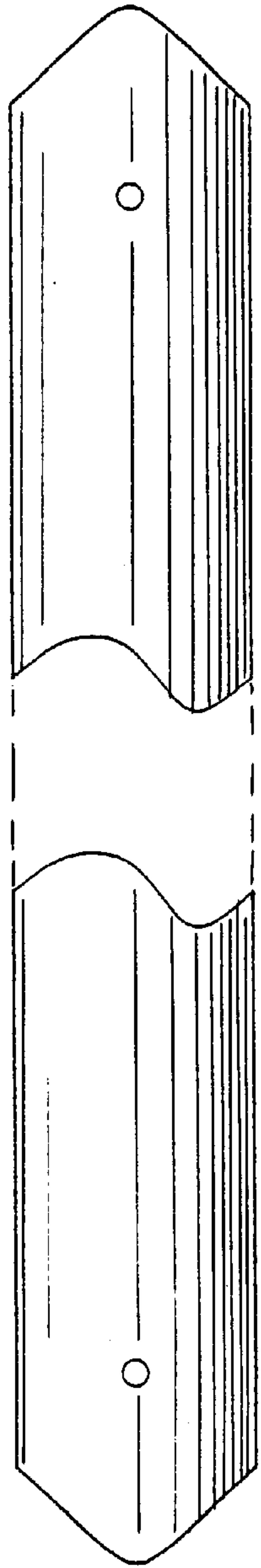


FIG. 39

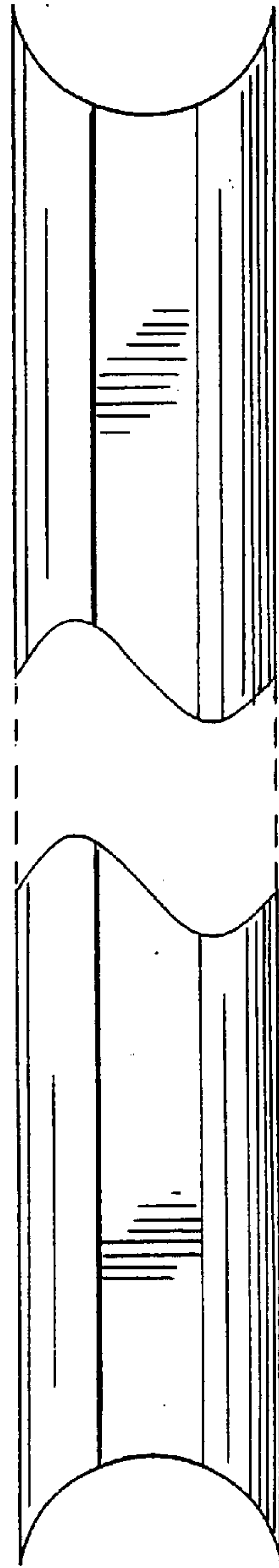


FIG. 38

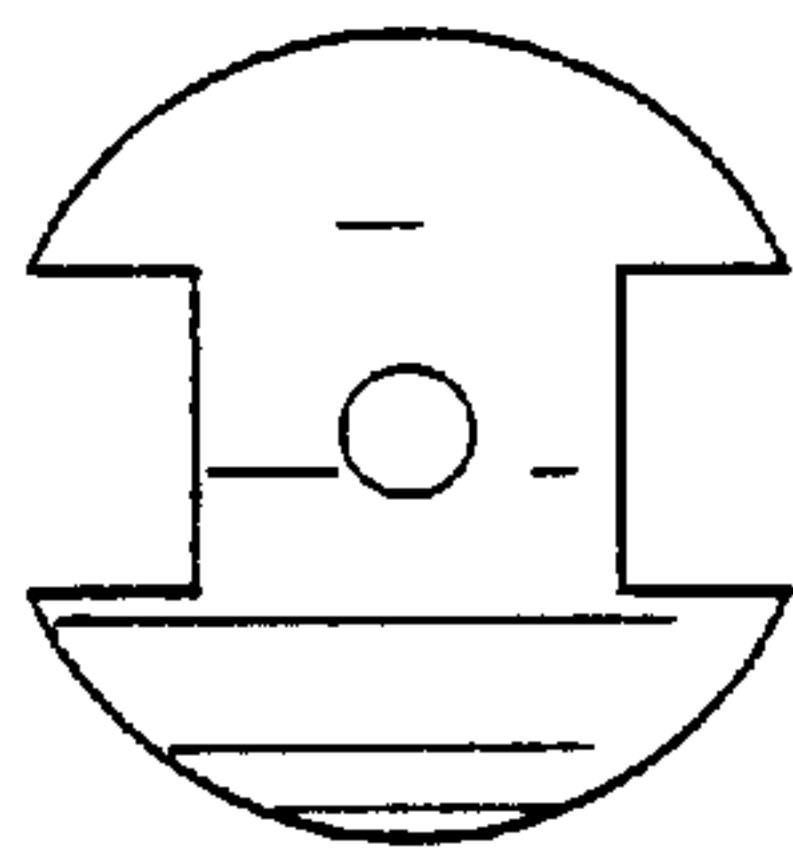


FIG. 40