



US00D462787S

(12) **United States Design Patent**  
**Scalzott**

(10) **Patent No.:** **US D462,787 S**

(45) **Date of Patent:** **\*\* Sep. 10, 2002**

(54) **GLAZING BEAD EXTRUSION**

D379,524 S \* 5/1997 Leonelli ..... D25/119

(75) Inventor: **Charles Ronald Scalzott**, New Kensington, PA (US)

\* cited by examiner

(73) Assignee: **Custom Window Extrusions, Inc.**, Delmont, PA (US)

*Primary Examiner*—Doris Clark  
(74) *Attorney, Agent, or Firm*—Cook, Alex, McFarron, Manzo, Cummings & Mehler, Ltd.

(\*\*) Term: **14 Years**

(21) Appl. No.: **29/140,698**

(22) Filed: **Apr. 23, 2001**

(51) **LOC (7) Cl.** ..... **25-01**

(52) **U.S. Cl.** ..... **D25/119**

(58) **Field of Search** ..... D25/124, 119,  
D25/52, 60; 52/730.3, 656.6, 204.5, 204.56,  
204.51, 730, 205.1, 202; 49/501, 504, DIG. 2,  
404, 413, 419, 407, 408

(56) **References Cited**

**U.S. PATENT DOCUMENTS**

D299,962 S \* 2/1989 Hardy ..... D25/119

(57) **CLAIM**

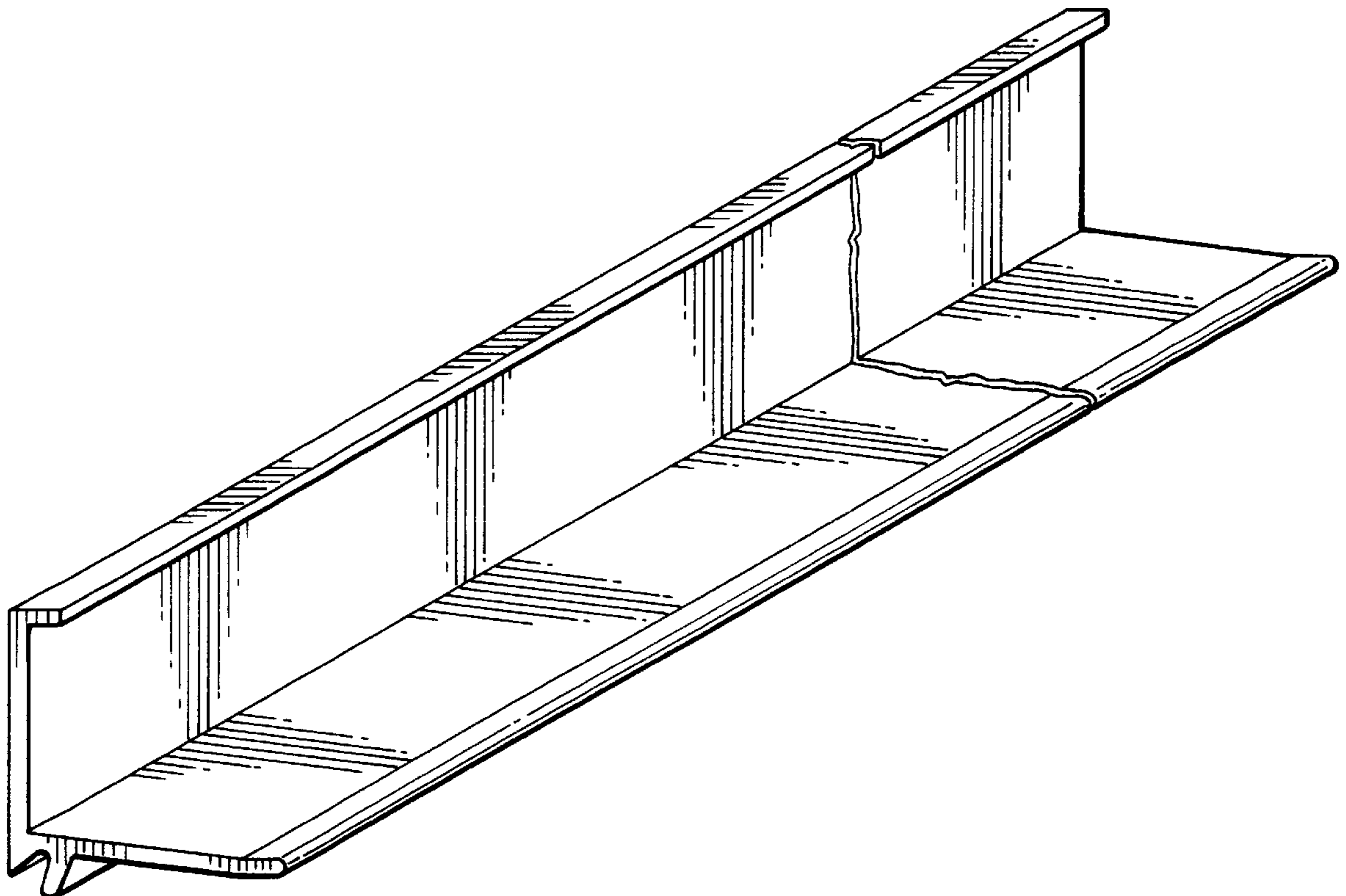
An ornamental design for a glazing bead extrusion, as shown and described.

**DESCRIPTION**

FIG. 1 is a perspective of the glazing bead extrusion showing my new design the glazing bead extrusion being of indefinite length; and,

FIG. 2 is an end elevational view of the glazing bead extrusion of FIG. 1.

**1 Claim, 1 Drawing Sheet**



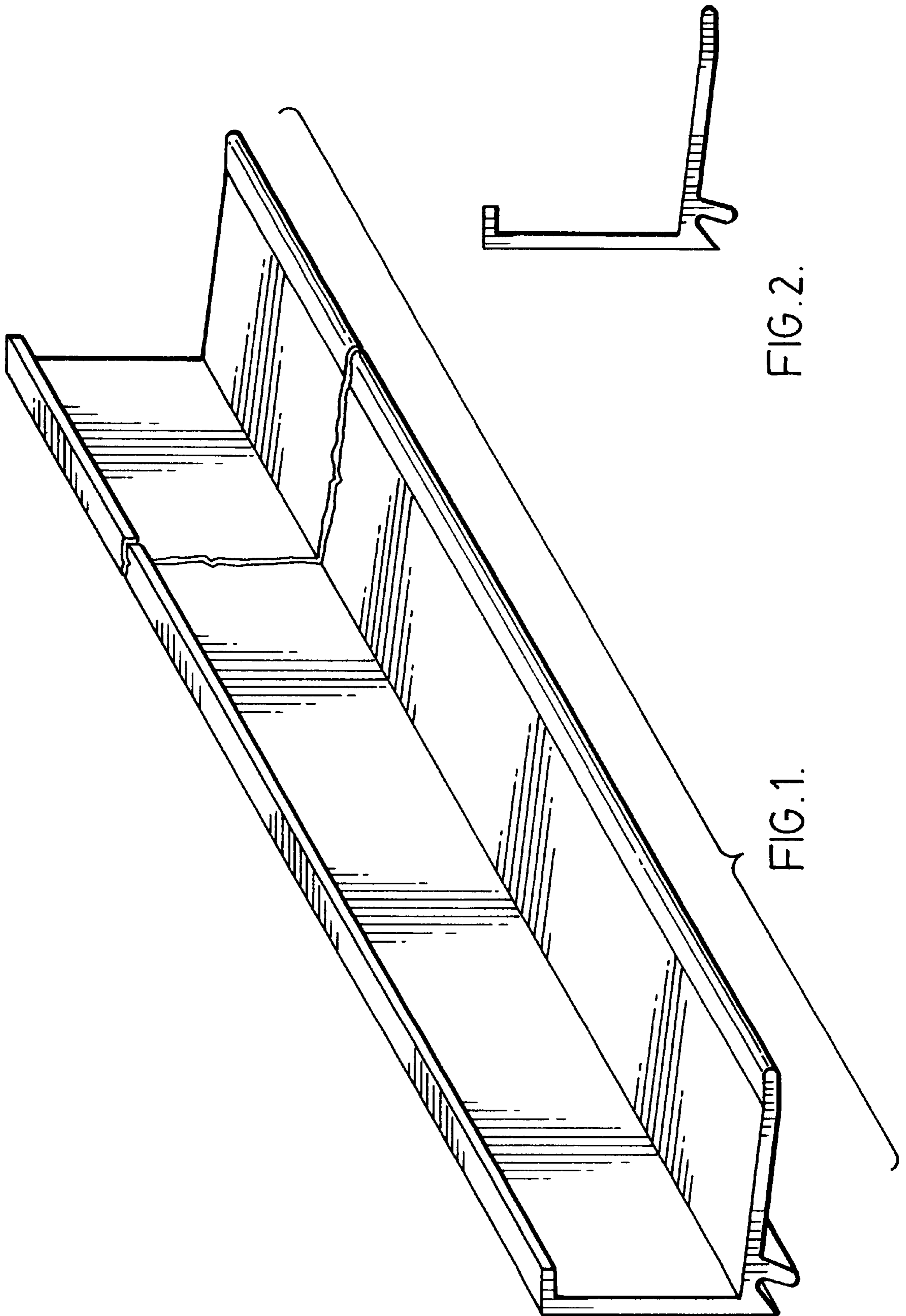


FIG. 2.

FIG. 1.