



US00D462783S

(12) **United States Design Patent**  
**Darracott**

(10) **Patent No.:** **US D462,783 S**

(45) **Date of Patent:** **\*\* \*Sep. 10, 2002**

(54) **TRUSS**

(75) **Inventor:** **Neil Howard Darracott, Rugby (GB)**

(73) **Assignee:** **Total Fabrications Limited,**  
**Birmingham (GB)**

(\* ) **Notice:** This patent is subject to a terminal disclaimer.

(\*\* ) **Term:** **14 Years**

(21) **Appl. No.:** **29/138,239**

(22) **Filed:** **Mar. 9, 2001**

(30) **Foreign Application Priority Data**

Sep. 9, 2000 (GB) ..... 2095670

(51) **LOC (7) Cl.** ..... **25-02**

(52) **U.S. Cl.** ..... **D25/61**

(58) **Field of Search** ..... D25/61, 126; 182/128,  
182/152, 187; 52/633-634, 636, 638, 653.1,  
690-693, 694, 695, 696, 697, 651.01, 648.1,  
651.07, 657, 637, 639, 643, 649.2, 650.1,  
650.2, 651.1

(56) **References Cited**

**U.S. PATENT DOCUMENTS**

1,235,332 A \* 7/1917 Lachman ..... 52/648.1  
3,375,632 A \* 4/1968 Congy ..... 52/637  
D402,042 S \* 12/1998 Fisher ..... D25/61

\* cited by examiner

*Primary Examiner*—Doris Clark

(74) *Attorney, Agent, or Firm*—Marshall, Gerstein & Borun.

(57) **CLAIM**

The ornamental design for a truss, as shown and described.

**DESCRIPTION**

FIG. 1 is an end view of a truss showing my new design;  
FIG. 2 is a perspective view thereof;  
FIG. 3 is a plan view thereof; and,  
FIG. 4 is a left side elevational view thereof, the opposite right side elevational view being a mirror image.

**1 Claim, 2 Drawing Sheets**

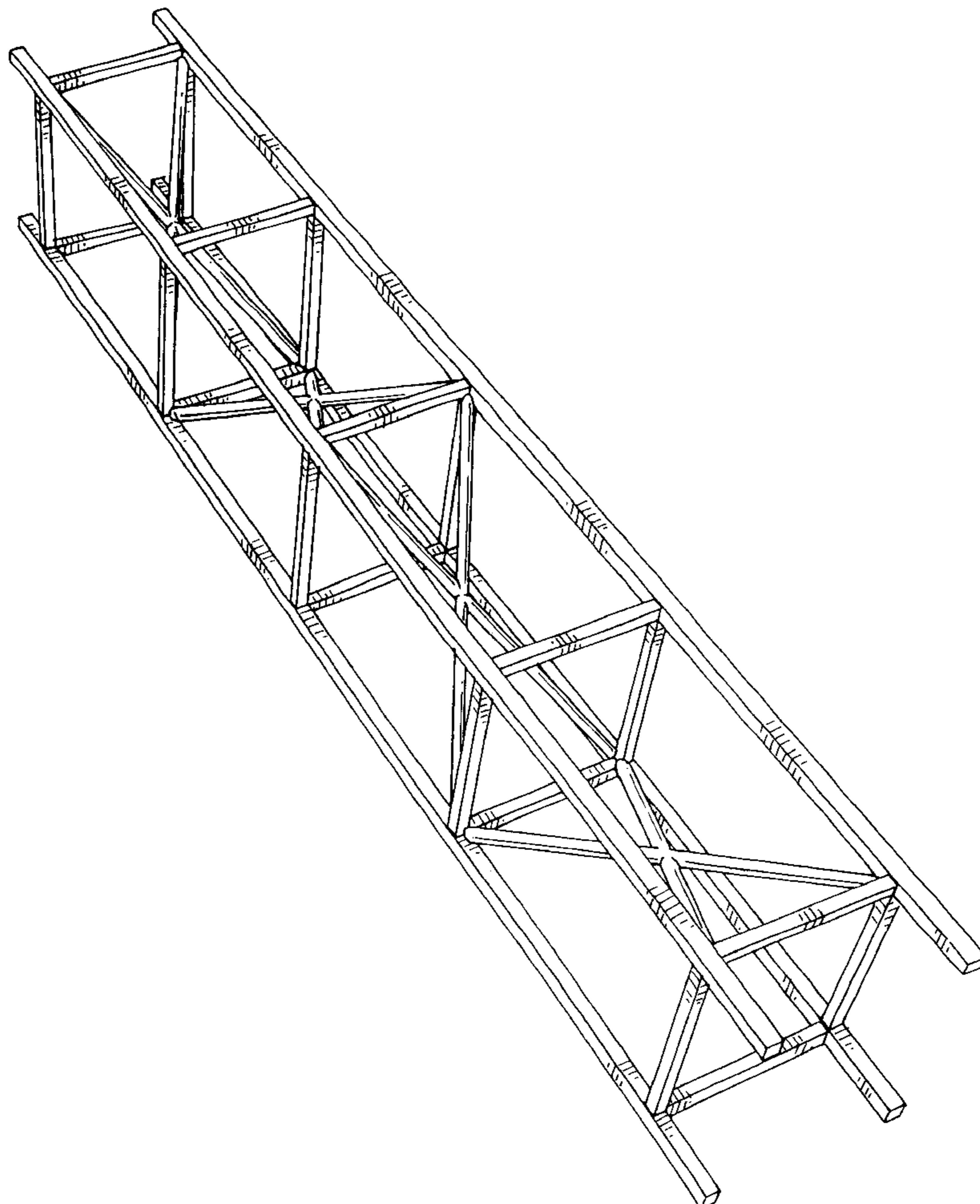


FIG. 1

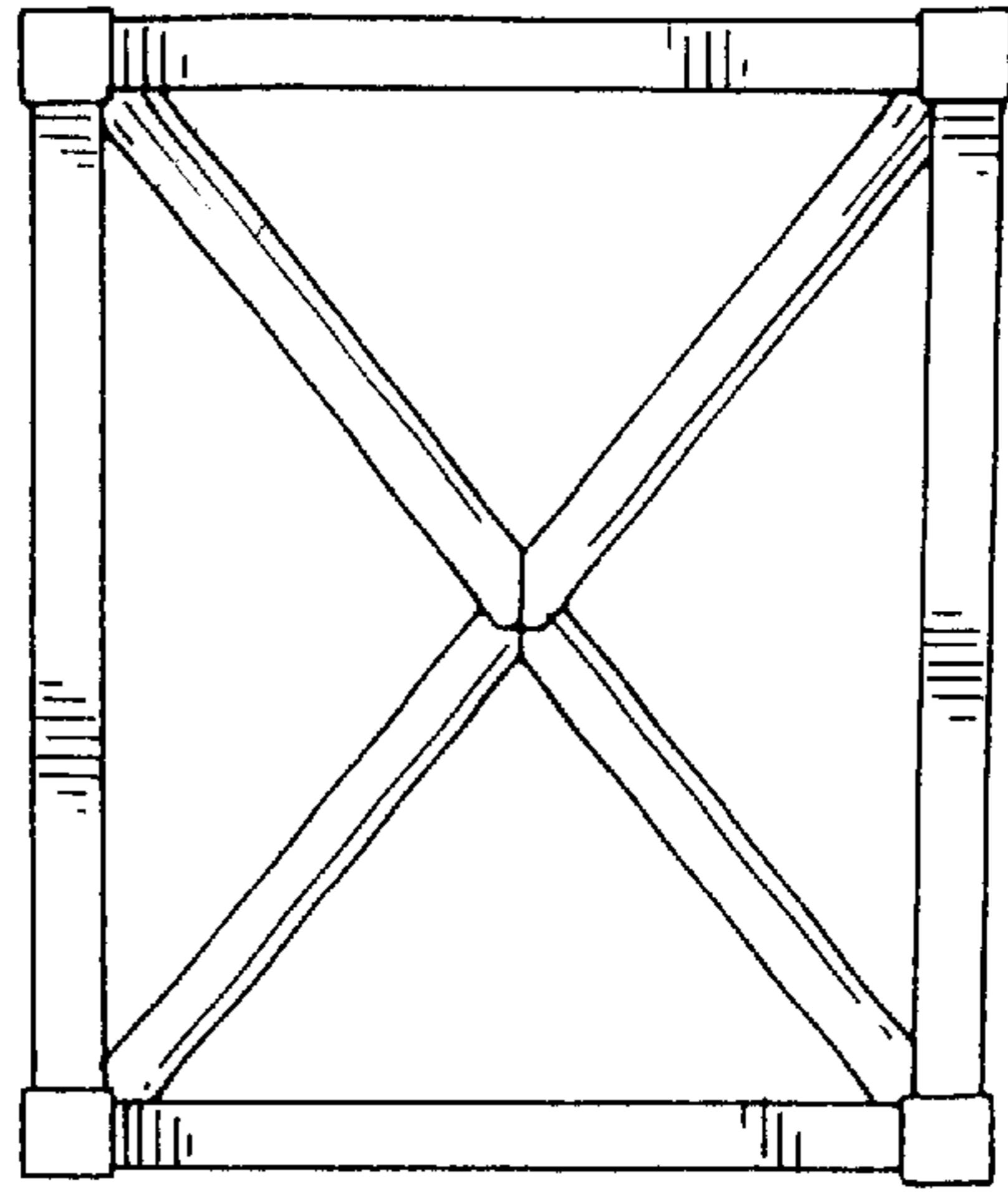


FIG. 2

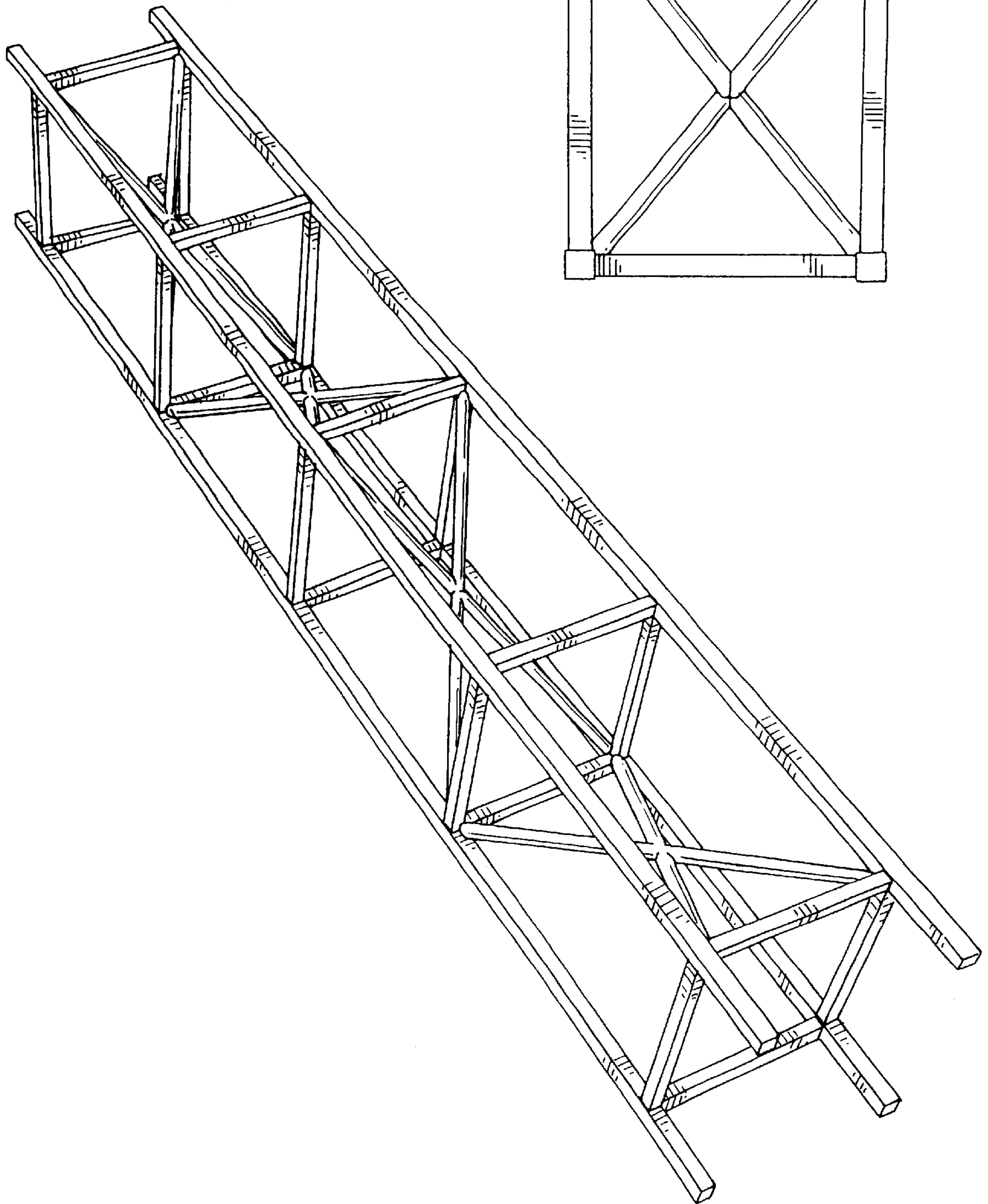


FIG. 3

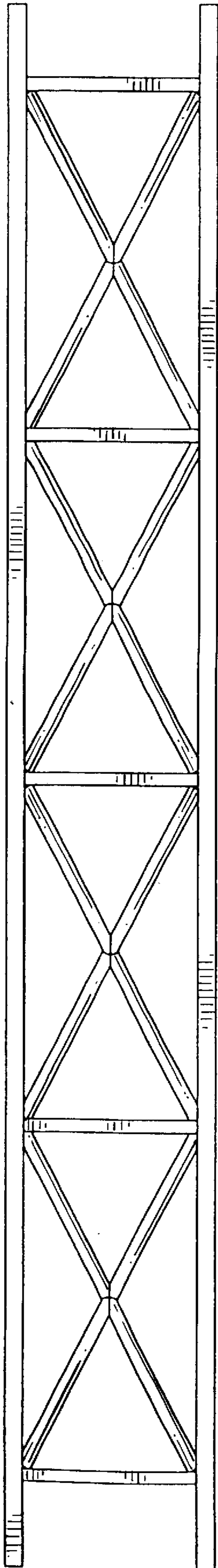


FIG. 4

