



US00D462777S

(12) **United States Design Patent**
Phifer

(10) **Patent No.:** **US D462,777 S**

(45) **Date of Patent:** **** Sep. 10, 2002**

(54) **BUILDING**

D376,854 S 12/1996 DiPaolo et al. D25/18

(75) Inventor: **Thomas M. Phifer**, New York, NY
(US)

(73) Assignee: **Steelcase Development Corporation**,
Caledonia, MI (US)

(**) Term: **14 Years**

(21) Appl. No.: **29/148,646**

(22) Filed: **Sep. 25, 2001**

Related U.S. Application Data

(62) Division of application No. 29/120,583, filed on Mar. 22,
2000.

(51) **LOC (7) Cl.** **25-03**

(52) **U.S. Cl.** **D25/4; D25/56**

(58) **Field of Search** D25/18, 4, 56;
135/87, 97, 906, 908

(56) **References Cited**

U.S. PATENT DOCUMENTS

D237,791 S 11/1975 Qualfe D13/1 R

OTHER PUBLICATIONS

Zumtobel Staff—The Light, “From Shadow to Sparkle: The Art of Architectural Illumination”; p. 95 and other selected pages; bearing the designation “Art. Nr. 04 246 808–UK 9.98 © Zumtobel Staff.” (4 total sheets).

Primary Examiner—Doris Clark

(74) *Attorney, Agent, or Firm*—Foley & Lardner

(57) **CLAIM**

I claim the ornamental design for a building, substantially as shown and described.

DESCRIPTION

FIG. 1 is a perspective view of the building.

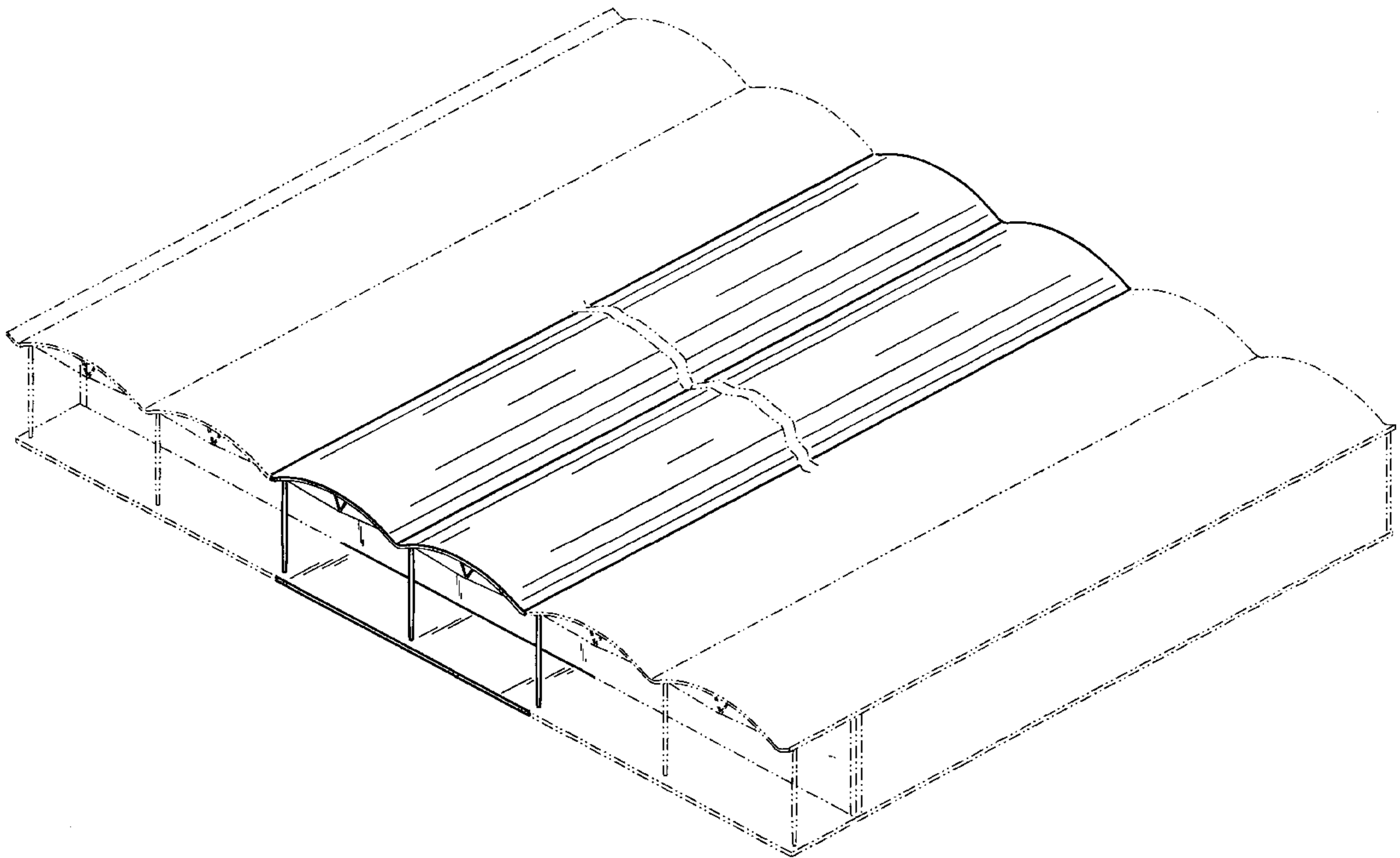
FIG. 2 is a front elevation view of the building as shown in FIG. 1.

FIG. 3 is a rear elevation view of the building as shown in FIG. 1; and,

FIG. 4 is a top plan view of the building as shown in FIG. 1.

The broken line disclosure is for illustrative purposes only and forms no part of the claimed design.

1 Claim, 3 Drawing Sheets



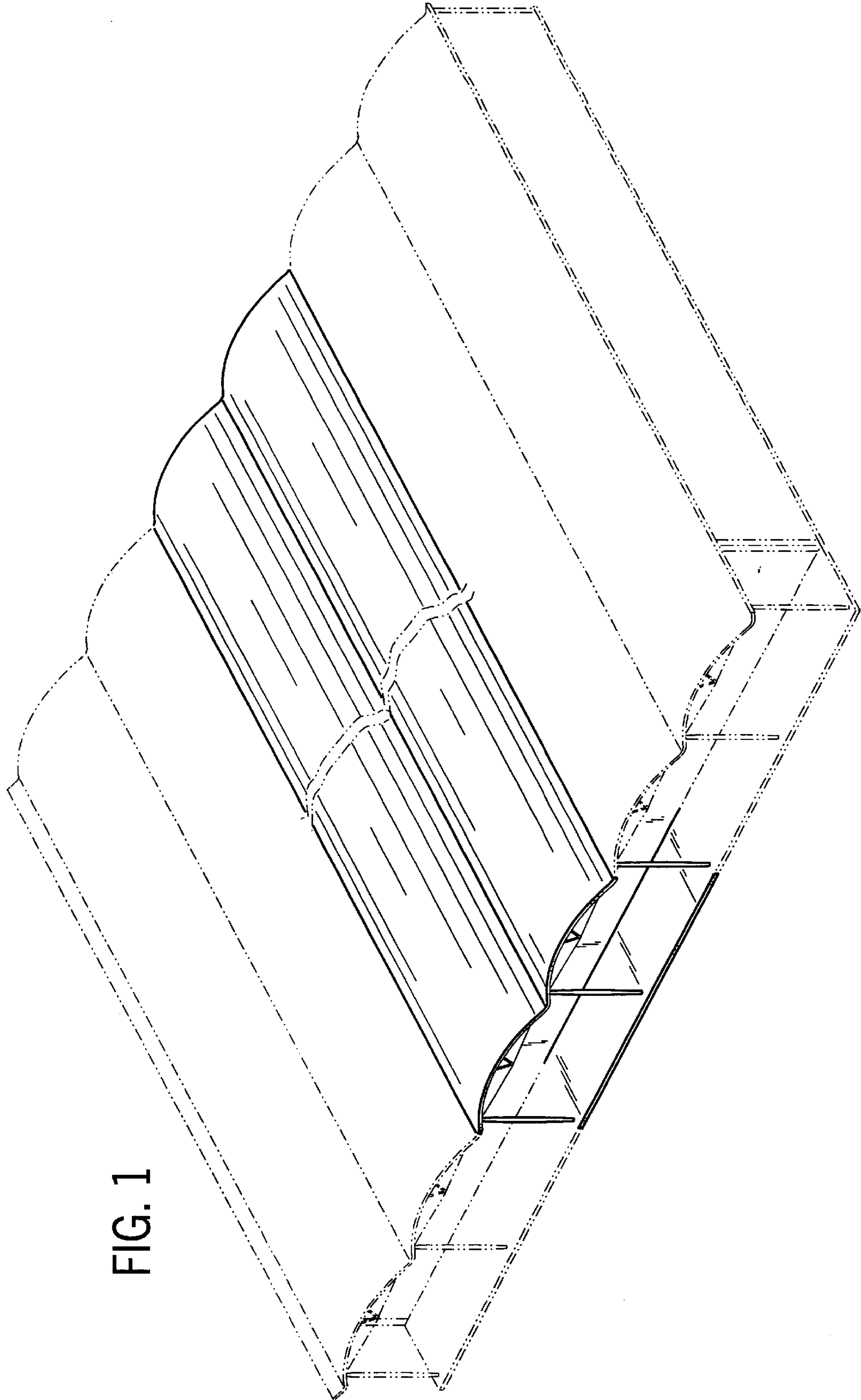


FIG. 1

FIG. 2

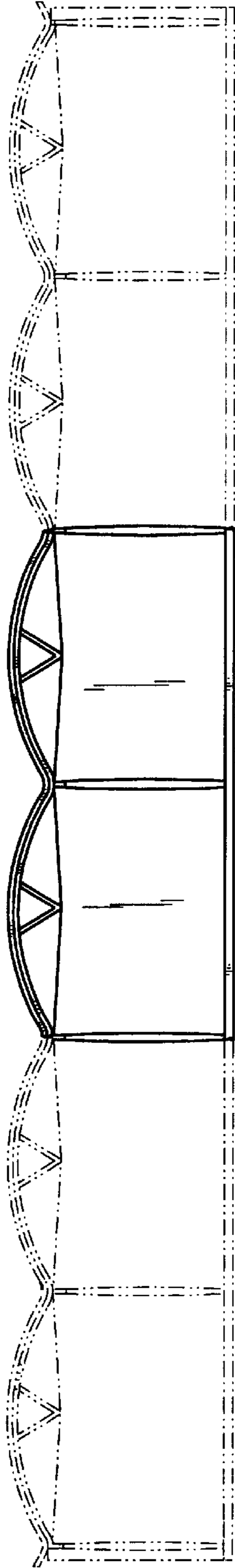
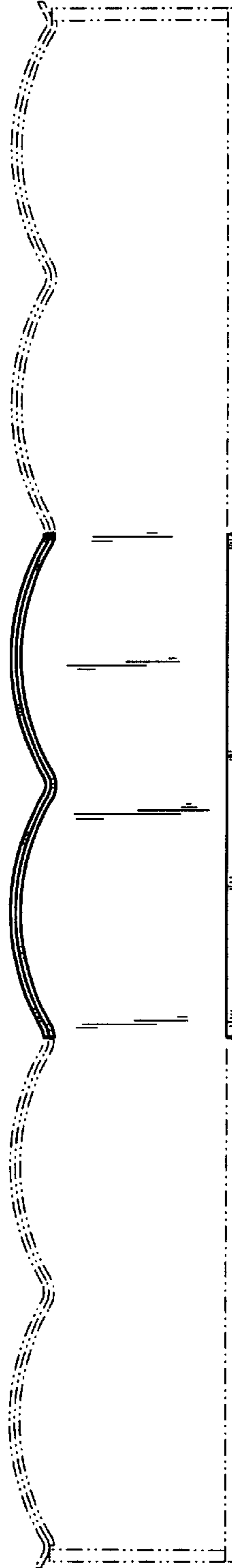


FIG. 3



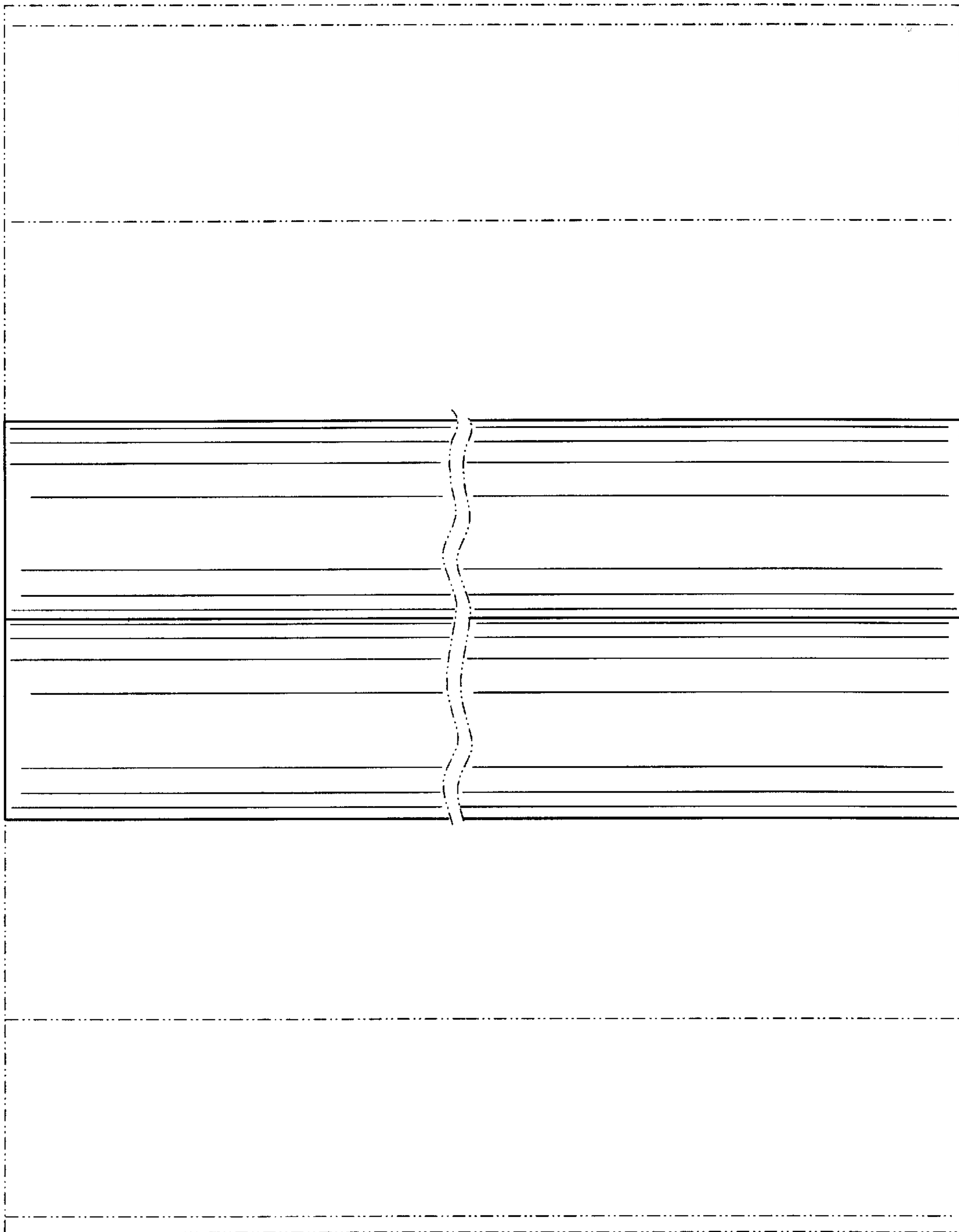


FIG. 4