



US00D462775S

(12) **United States Design Patent**  
**Minor**

(10) **Patent No.:** **US D462,775 S**

(45) **Date of Patent:** **\*\* Sep. 10, 2002**

(54) **BABY BOTTLE HOLDER**

5,489,075 A \* 2/1996 Ible ..... 248/104  
D369,413 S \* 4/1996 Lodewyck, Jr. et al. ... D24/199

(76) Inventor: **Brett A. Minor**, 4 Sana Rita, Foothill Ranch, CA (US) 92610

\* cited by examiner

(\*\*) Term: **14 Years**

*Primary Examiner*—Stella Reid

(21) Appl. No.: **29/156,605**

(57) **CLAIM**

(22) Filed: **Mar. 5, 2002**

The ornamental design for a baby bottle holder, as shown and described.

(51) **LOC (7) Cl.** ..... **07-01**

**DESCRIPTION**

(52) **U.S. Cl.** ..... **D24/199**

FIG. 1 is a front view of a baby bottle holder showing my new design.

(58) **Field of Search** ..... D24/199; 248/102, 248/103, 104, 105, 106, 107

FIG. 2 is a rear view of the baby bottle holder.

FIG. 3 is a first side view of the baby bottle holder.

FIG. 4 is a second side view of the baby bottle holder.

FIG. 5 is a top view of the baby bottle holder.

FIG. 6 is a bottom view of the baby bottle holder; and,

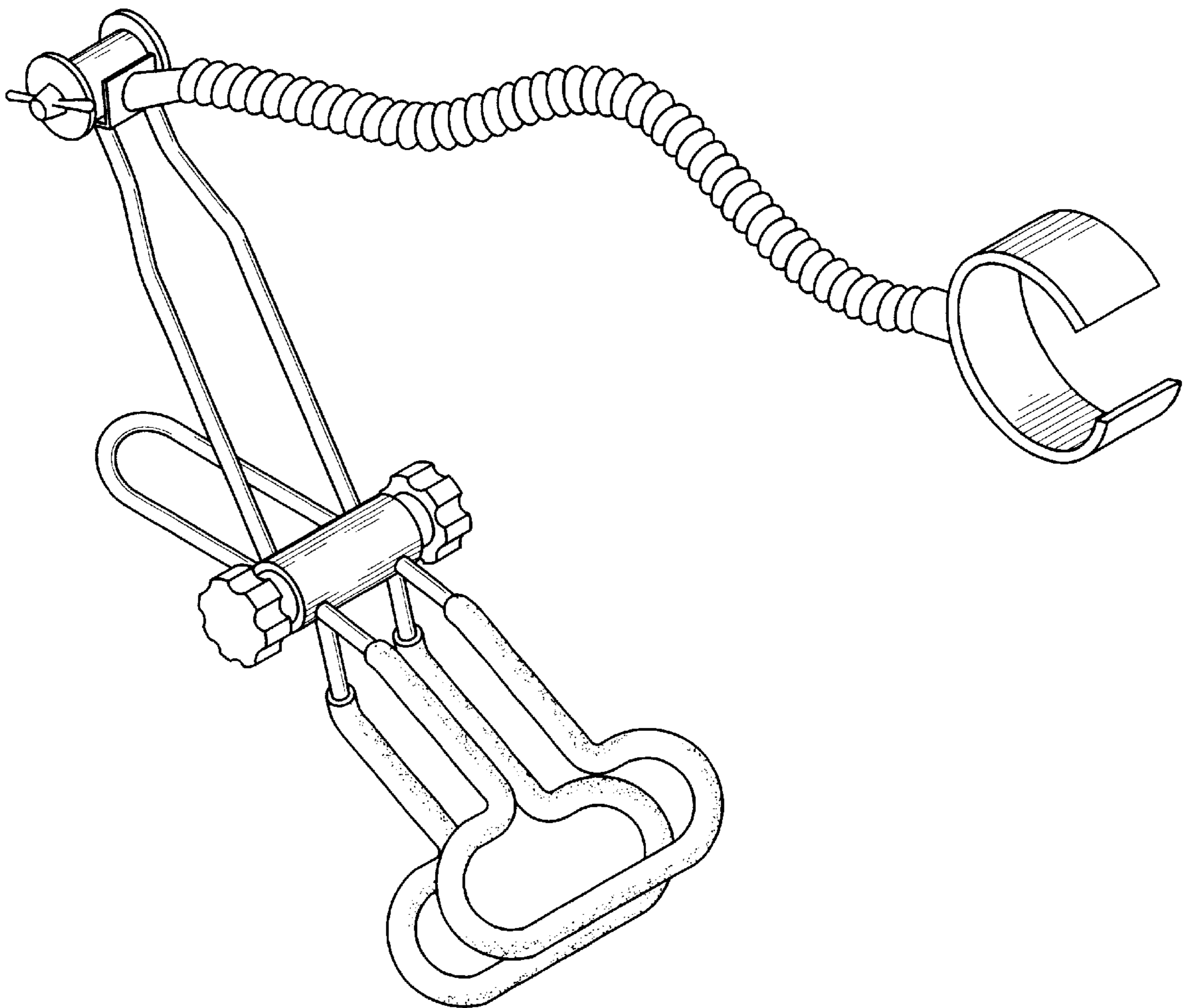
FIG. 7 is a perspective of the baby bottle holder.

(56) **References Cited**

**U.S. PATENT DOCUMENTS**

5,016,845 A \* 5/1991 Pellegrino ..... 248/104  
D326,524 S \* 5/1992 Lawal et al. .... D24/199  
5,135,189 A \* 8/1992 Ghazizadeh ..... 248/104  
5,192,041 A \* 3/1993 Bryant ..... 248/104

**1 Claim, 7 Drawing Sheets**



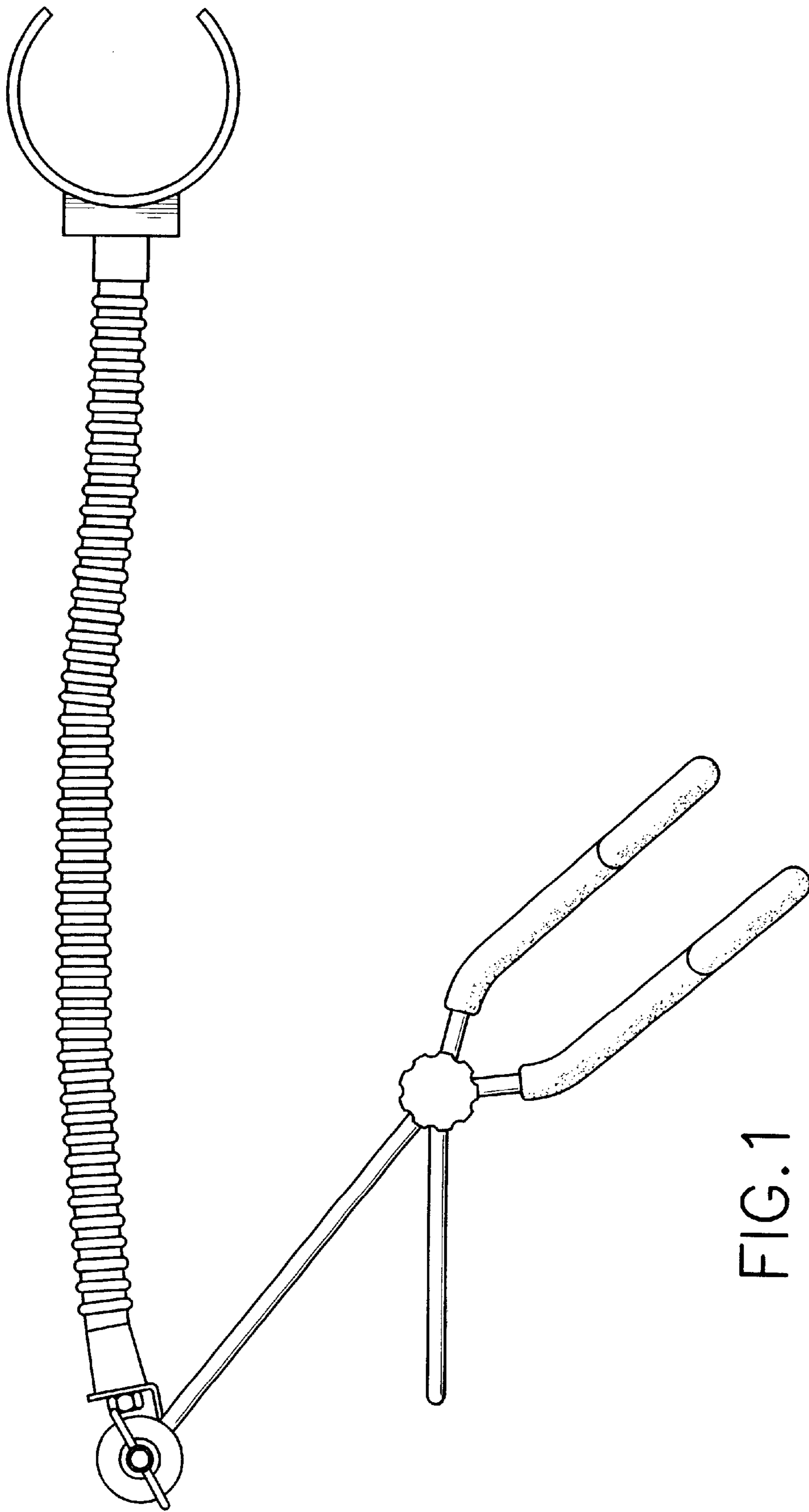


FIG. 1

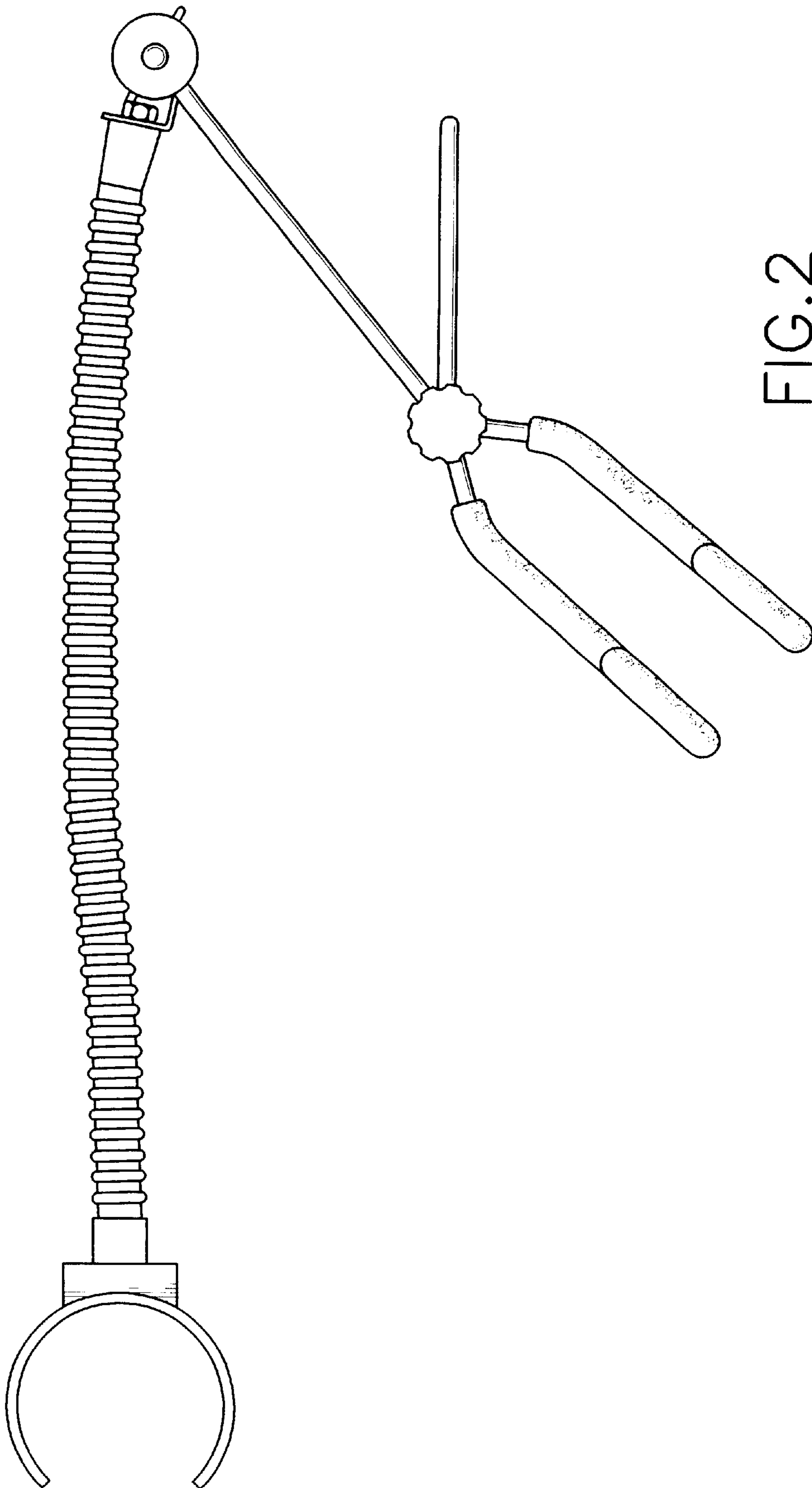


FIG. 2

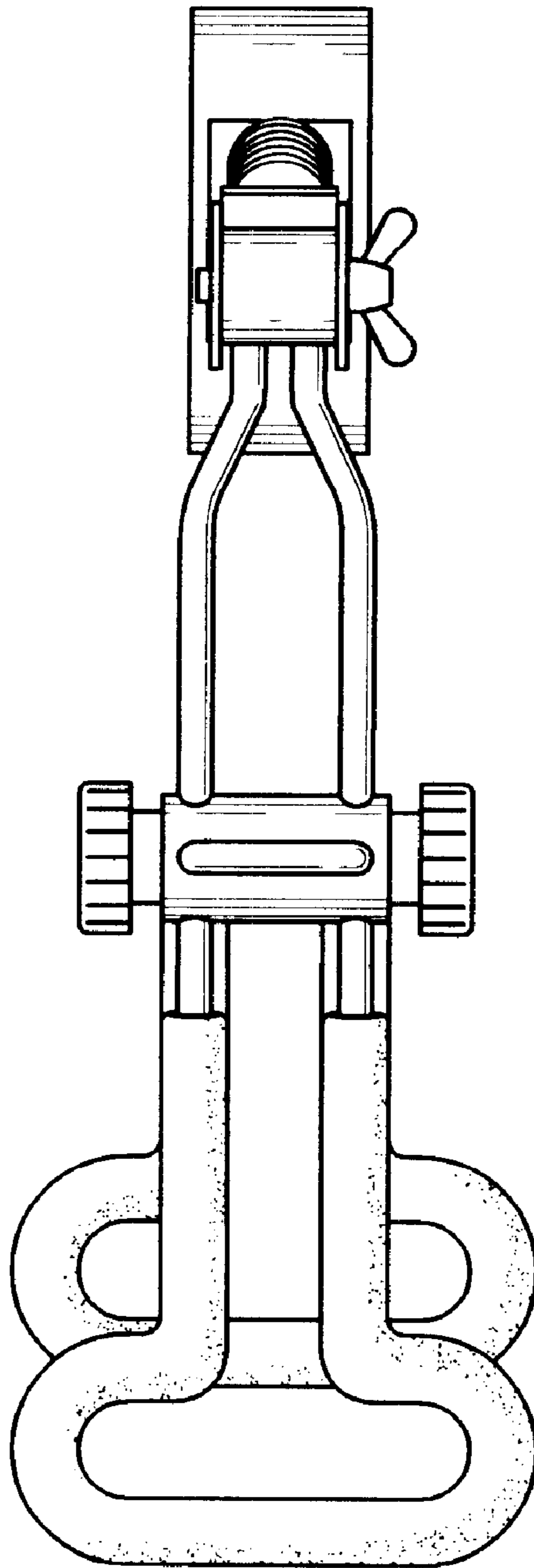


FIG. 3

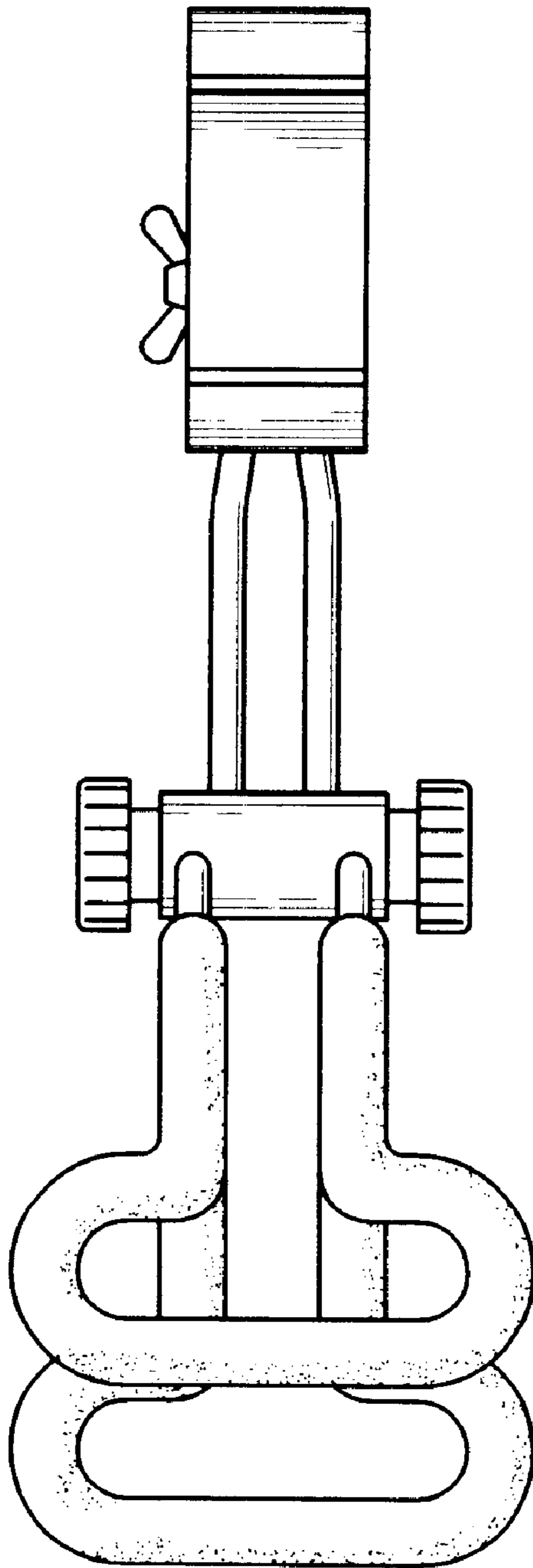


FIG. 4

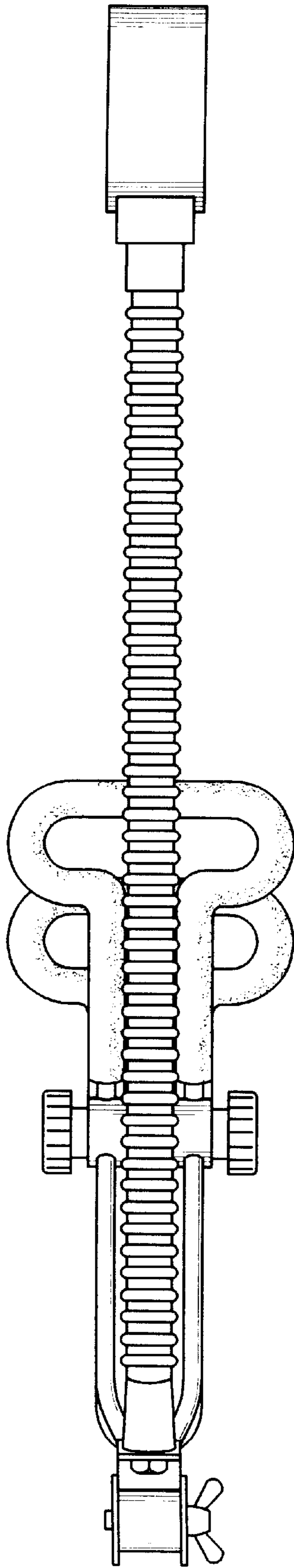


FIG. 5

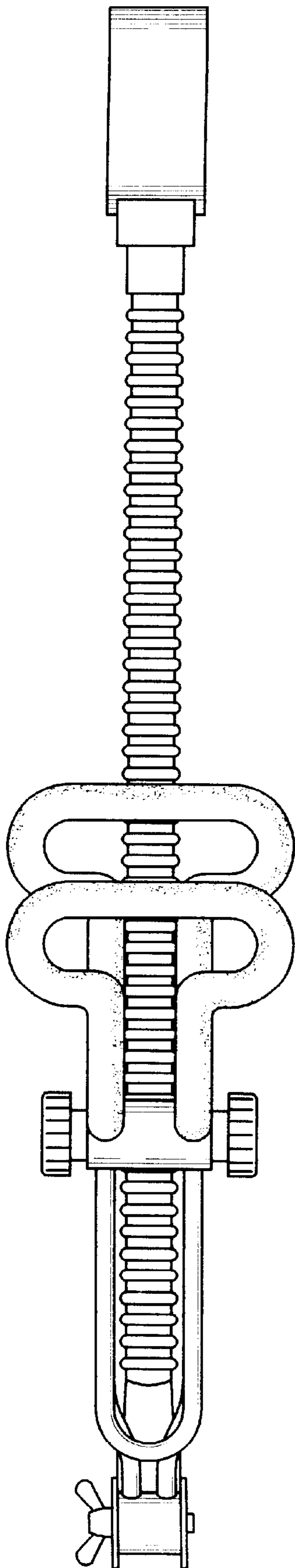


FIG. 6



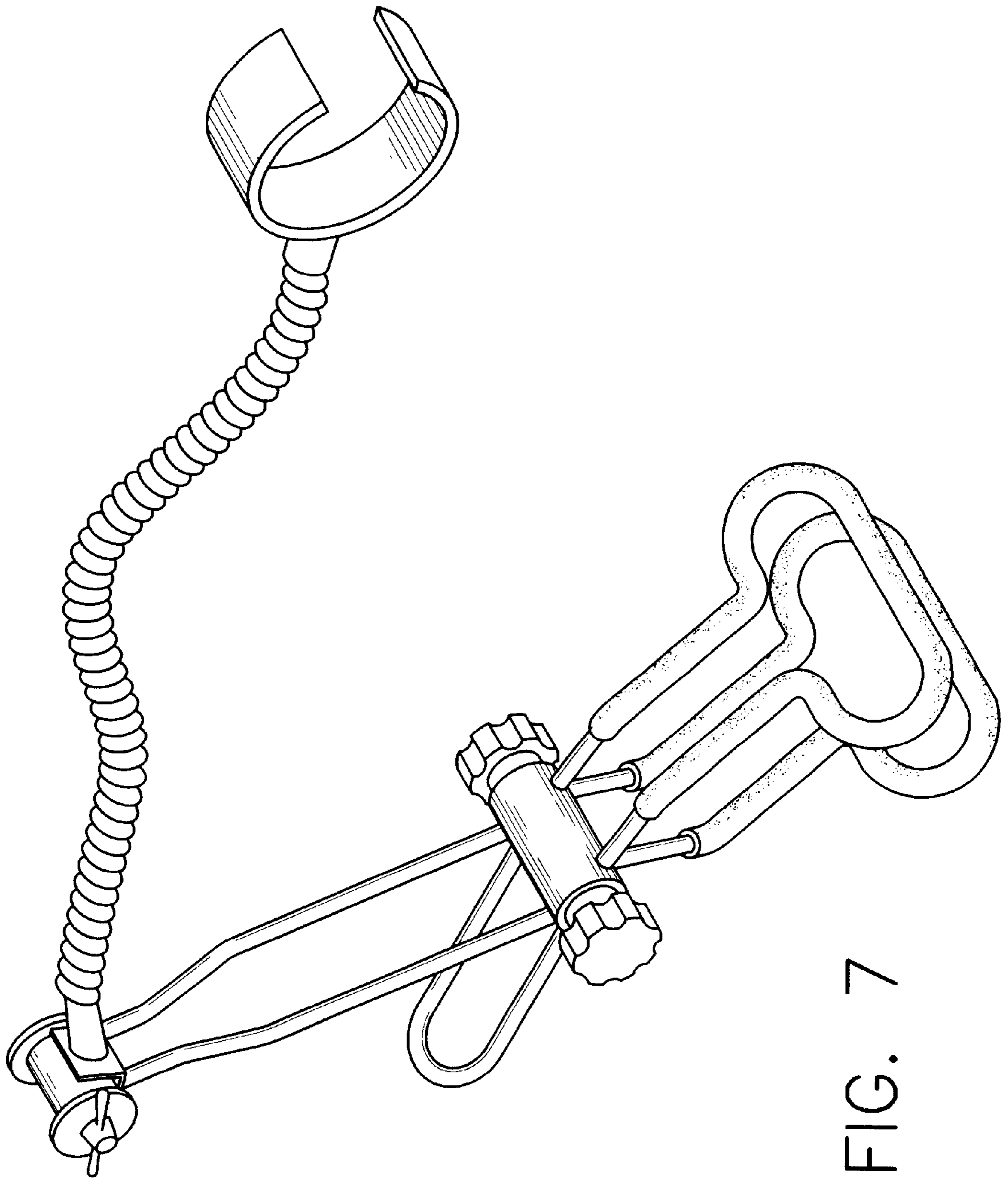


FIG. 7