



US00D462771S

(12) **United States Design Patent**
Weber

(10) **Patent No.:** **US D462,771 S**

(45) **Date of Patent:** **** Sep. 10, 2002**

(54) **BASE FOR CRADLE FOR GLUCOSE TESTING INSTRUMENT**

(75) **Inventor:** **Paul L. Weber, Hudson, WI (US)**

(73) **Assignee:** **Roche Diagnostics Corporation, Indianapolis, IN (US)**

(**) **Term:** **14 Years**

(21) **Appl. No.:** **29/101,274**

(22) **Filed:** **Mar. 1, 1999**

(51) **LOC (7) Cl.** **24-01**

(52) **U.S. Cl.** **D24/169**

(58) **Field of Search** D24/169; 600/300, 600/316, 319, 347, 365; 204/400, 403; 128/920, 923; 361/600, 679, 681, 686; 364/492, 506

(56) **References Cited**

U.S. PATENT DOCUMENTS

4,731,726	A	*	3/1988	Allen, III	128/630
5,019,974	A	*	5/1991	Beckers	128/630
5,307,263	A	*	4/1994	Brown	128/668
5,371,687	A	*	12/1994	Holmes, II et al.	395/892
5,594,906	A		1/1997	Holmes, II et al.		
5,791,344	A	*	8/1998	Schulman et al.	600/347
5,899,855	A	*	5/1999	Brown	600/301
6,024,699	A	*	2/2000	Surwit et al.	600/300

* cited by examiner

Primary Examiner—Stella Reid

(74) *Attorney, Agent, or Firm*—Barnes & Thornburg

(57) **CLAIM**

The ornamental design for base for cradle for glucose testing instrument, as shown.

DESCRIPTION

Reference is hereby made to U.S. design patent application Ser. No. 29/101,237 titled Base For Cradle For Glucose Testing Instrument filed on the same day as this application and assigned to the same assignee, now U.S. Pat. No. D. 439,669 and U.S. design patent application Ser. No. 29/101,236 titled Accessory Box For Cradle For Instrument filed on the same day as this application and assigned to the same assignee, now U.S. Pat. No. D. 441,867, all of which are hereby incorporated by reference.

FIG. 1 illustrates a front elevational view of a base for cradle for glucose testing instrument showing the design;

FIG. 2 illustrates a rear elevational view of a base for cradle for glucose testing instrument showing the design;

FIG. 3 illustrates a left side elevational view of a base for cradle for glucose testing instrument showing the design;

FIG. 4 illustrates a right side elevational view of a base for cradle for glucose testing instrument showing the design;

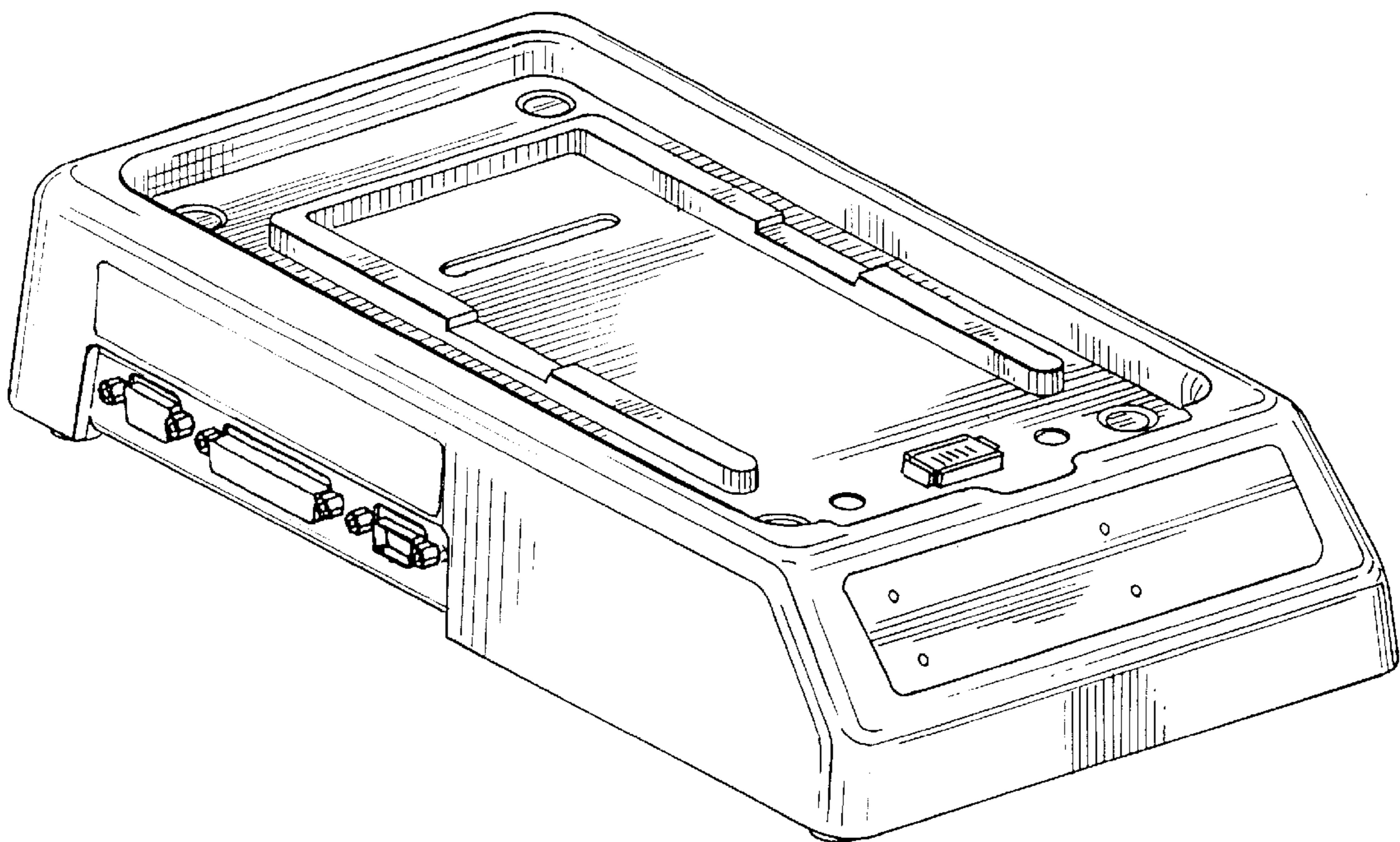
FIG. 5 illustrates a top plan view of a base for cradle for glucose testing instrument showing the design;

FIG. 6 illustrates a bottom plan view of a base for cradle for glucose testing instrument showing the design;

FIG. 7 illustrates a perspective view from the front and left side of a base for cradle for glucose testing instrument showing the design; and,

FIG. 8 illustrates a perspective view from the rear and right side of a base for cradle for glucose testing instrument showing the design.

1 Claim, 3 Drawing Sheets



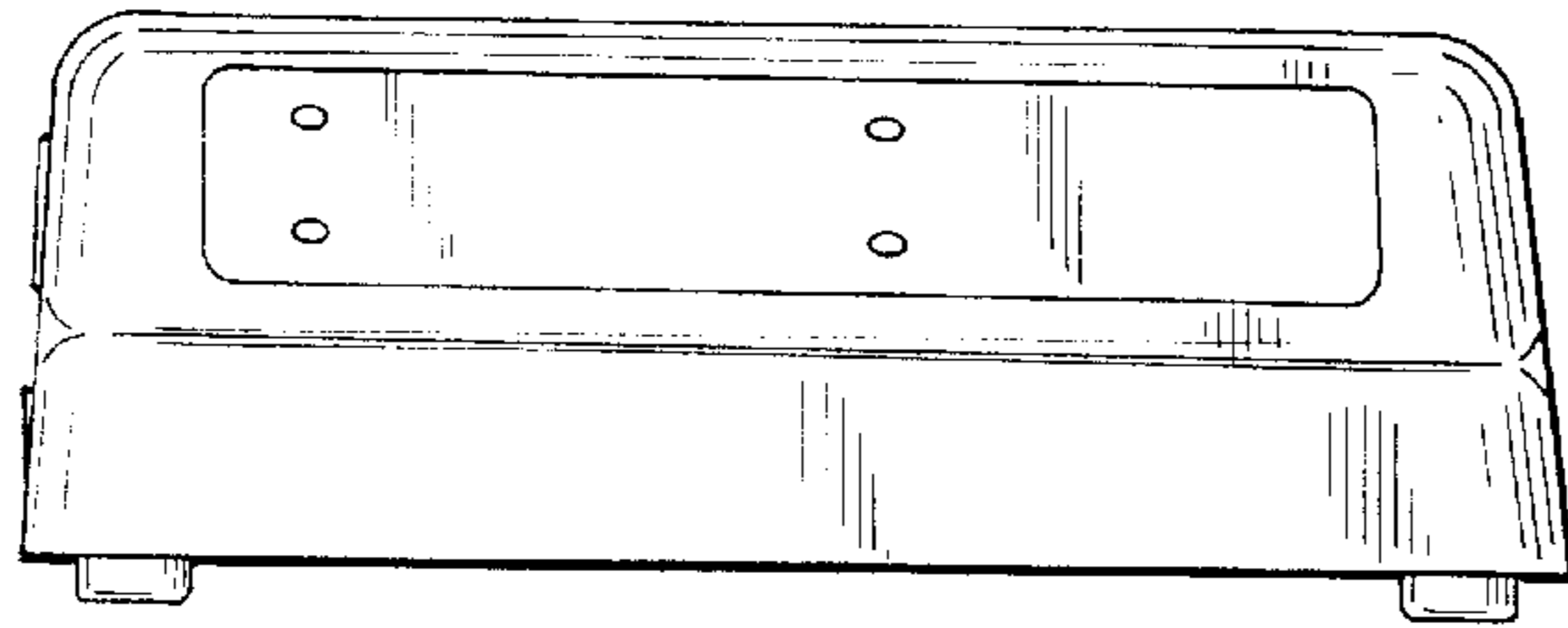


FIG. 1

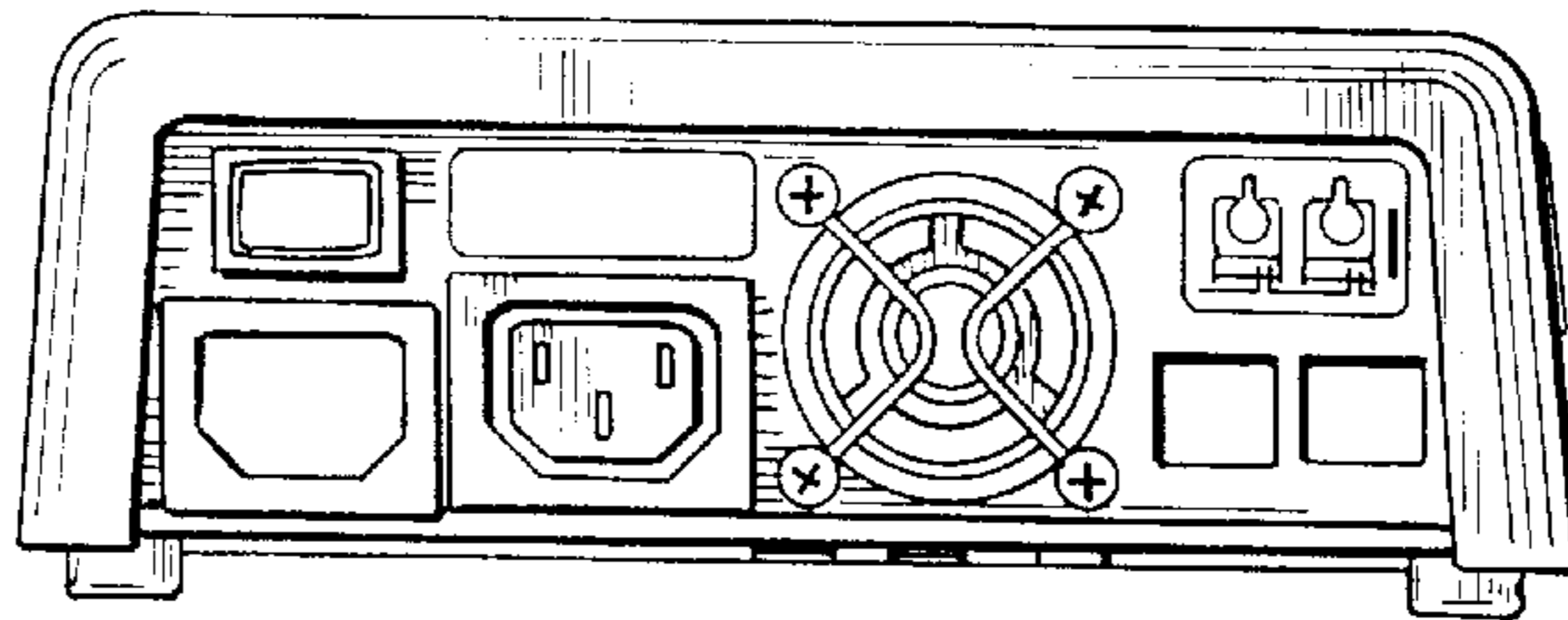


FIG. 2

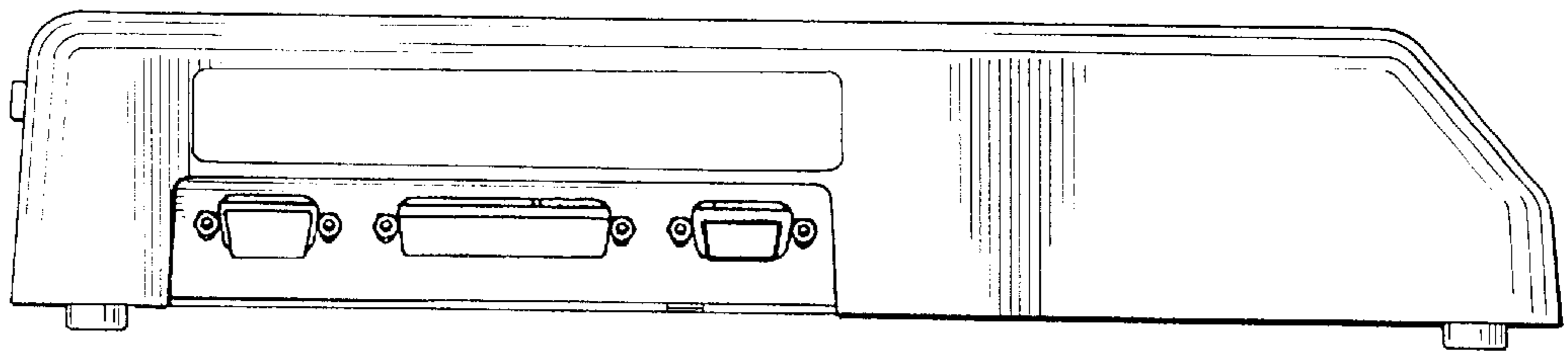


FIG. 3

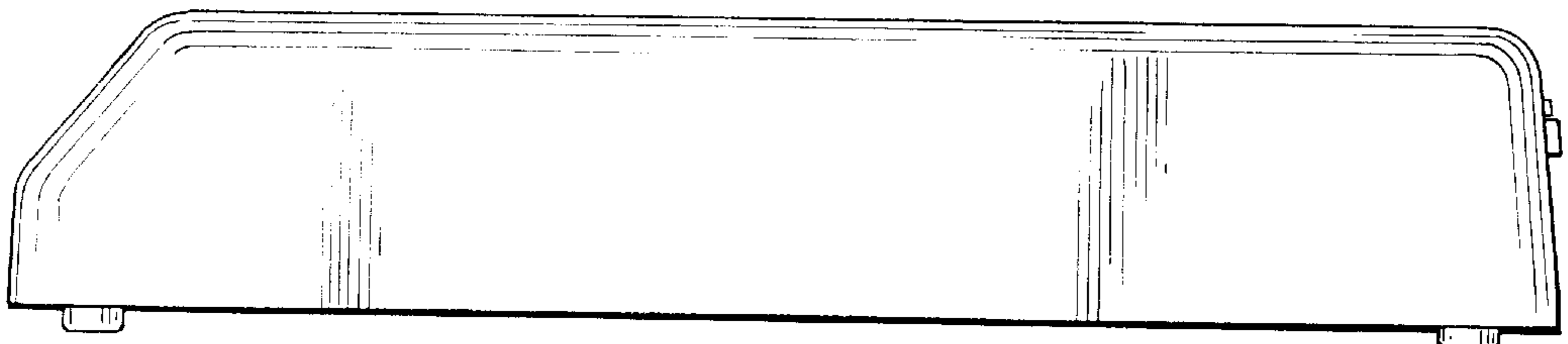


FIG. 4

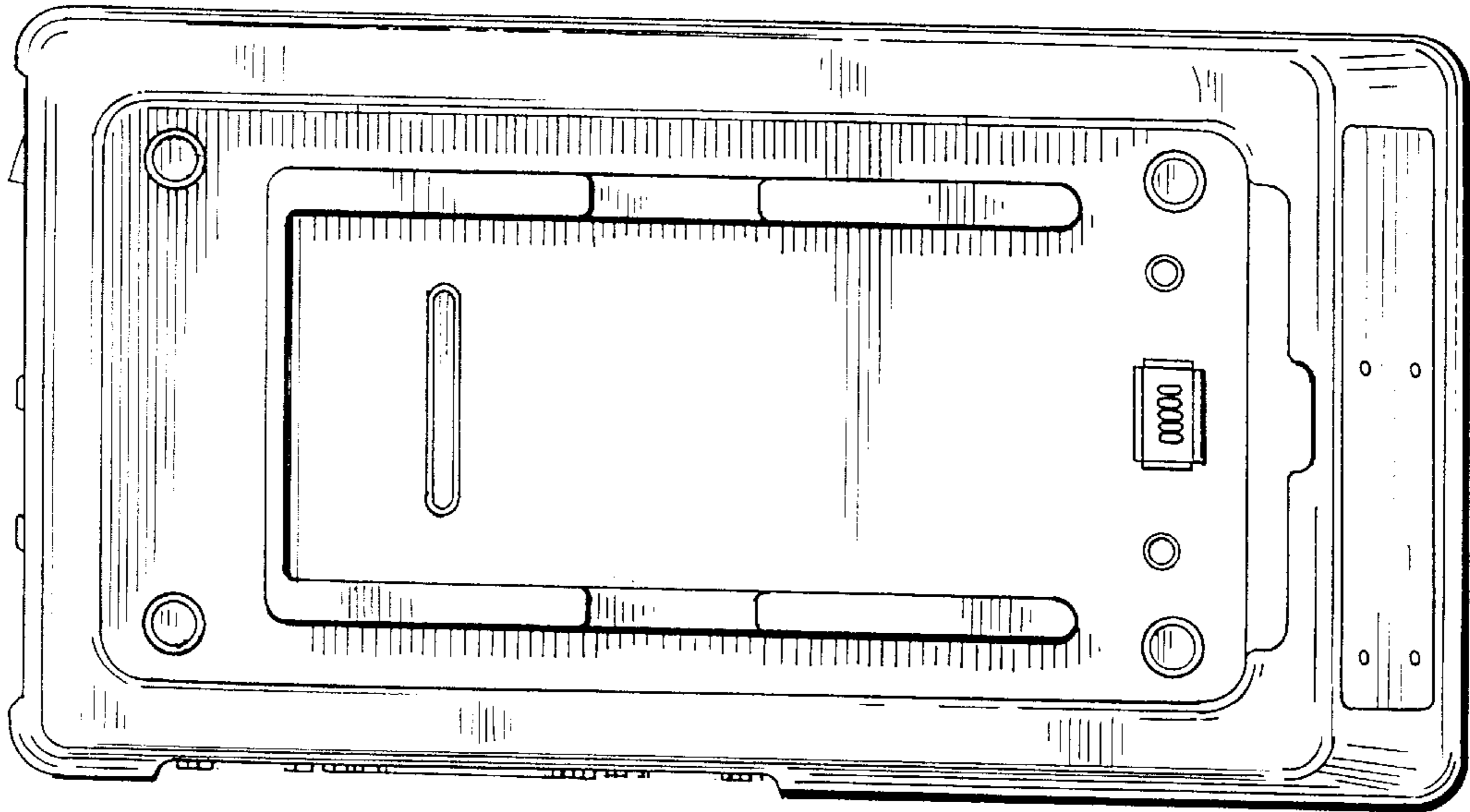


FIG. 5

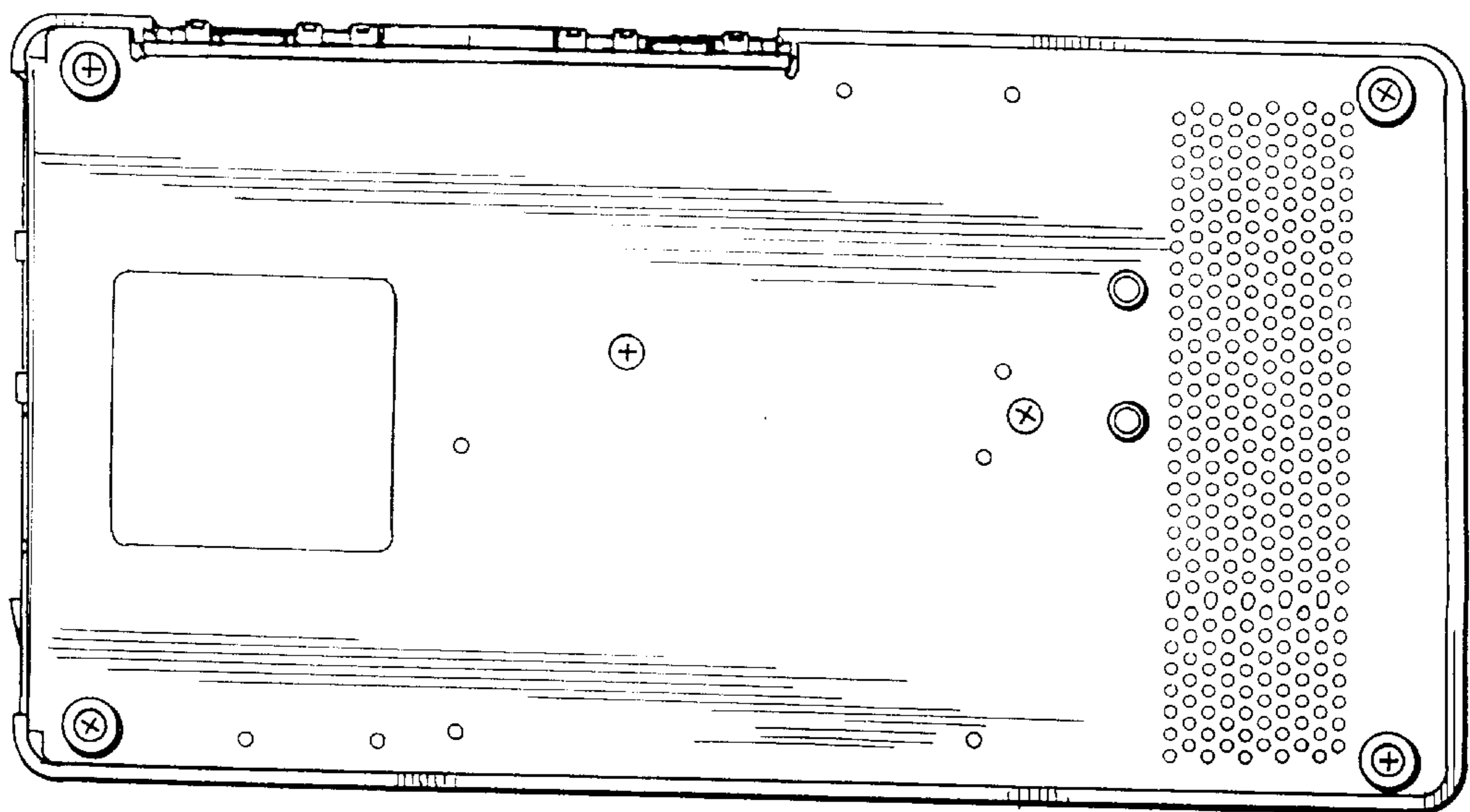


FIG. 6

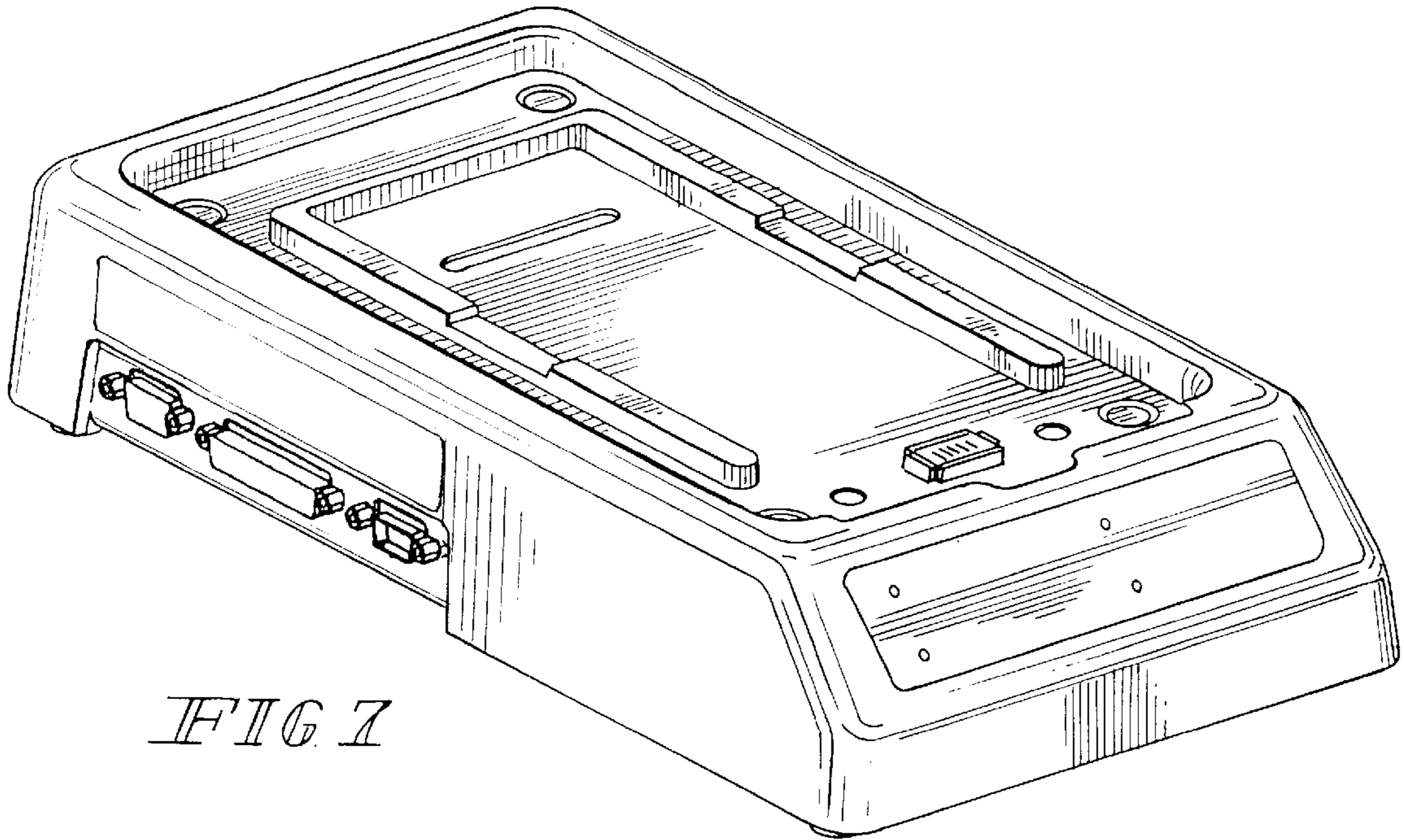


FIG 7

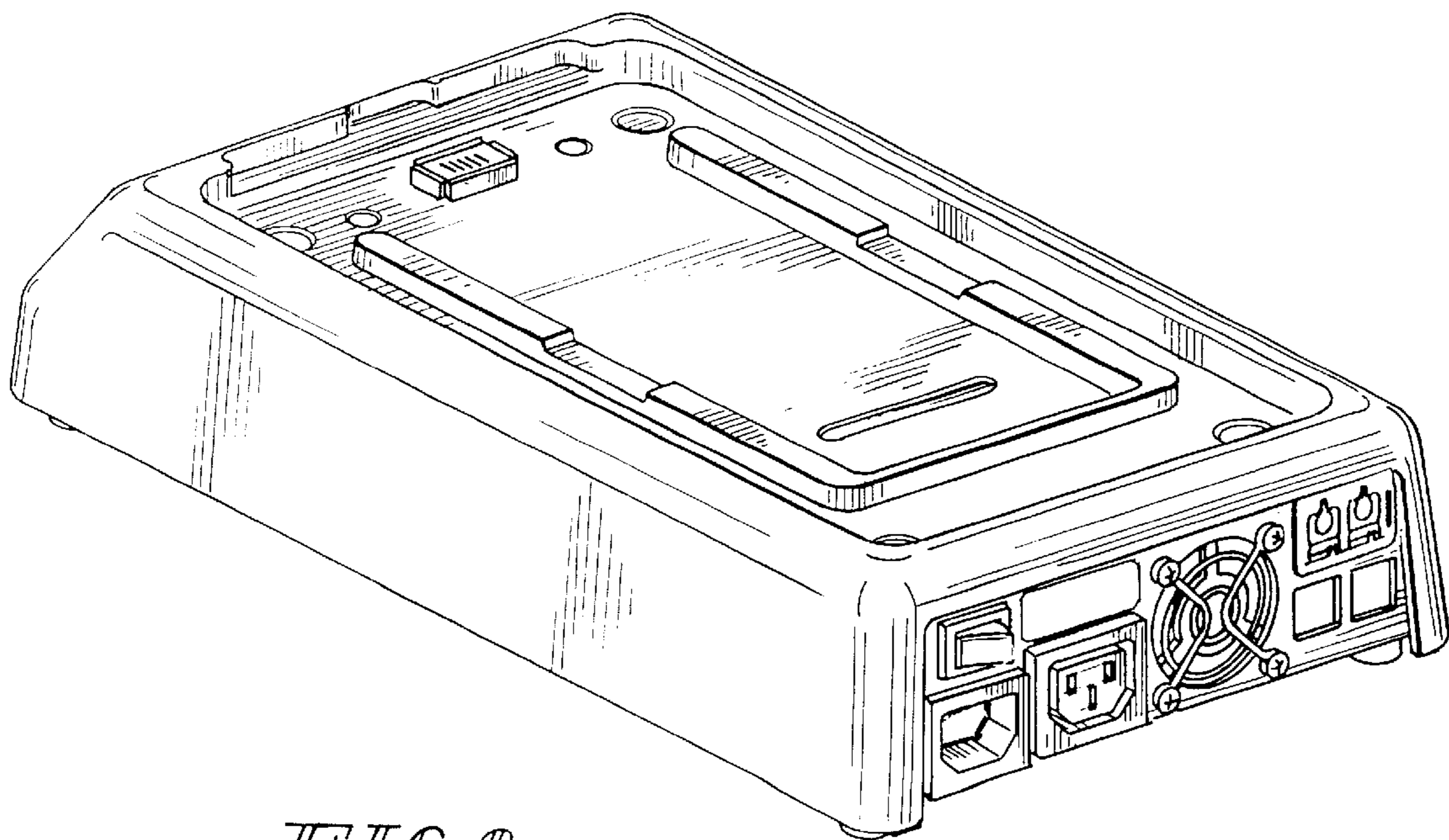


FIG 8