



US00D462770S

(12) **United States Design Patent**
Elist

(10) **Patent No.:** **US D462,770 S**

(45) **Date of Patent:** **** Sep. 10, 2002**

(54) **TAPERED PENILE IMPLANT**

(76) Inventor: **James Elist**, 9033 Wilshire Blvd., Suite 300, Beverly Hills, CA (US) 90211

(**) Term: **14 Years**

(21) Appl. No.: **29/151,762**

(22) Filed: **Dec. 10, 2001**

(51) **LOC (7) Cl.** **24-03**

(52) **U.S. Cl.** **D24/155**

(58) **Field of Search** D24/155; 600/38,
600/39, 40, 41

(56) **References Cited**

U.S. PATENT DOCUMENTS

4,615,337 A * 10/1986 Allinson 600/39
5,669,870 A * 9/1997 Elist 600/40

* cited by examiner

Primary Examiner—Antoine Duval Davis

(74) *Attorney, Agent, or Firm*—Gene Scott; Patent Law & Venture Group

(57) **CLAIM**

The ornamental design for a “tapered penile implant”, as shown and described.

DESCRIPTION

FIG. 1 is a perspective exploded view of a first embodiment of a tapered penile implant, showing my new design as a two-piece unit;

FIG. 2 is an exterior side elevation view thereof of a first half, an exterior side elevation view of a second half being a mirror image thereof;

FIG. 3 is an interior side elevation view thereof of the first half, an interior side elevation view of a second half being a mirror image thereof;

FIG. 4 is a top plan view thereof of the first and the second half, bottom plan views of both first and second halves being mirror images thereof;

FIG. 5 is a first end elevation view of the first half, the first end elevation view of the second half being a mirror image thereof;

FIG. 6 is a second end elevation view of the first half, the second end elevation view of the second half being a mirror image thereof;

FIG. 7 is a perspective view of a second embodiment of the tapered penile implant, showing my new design as a one-piece unit;

FIG. 8 is a right side elevation view thereof, the left side being a mirror image thereof;

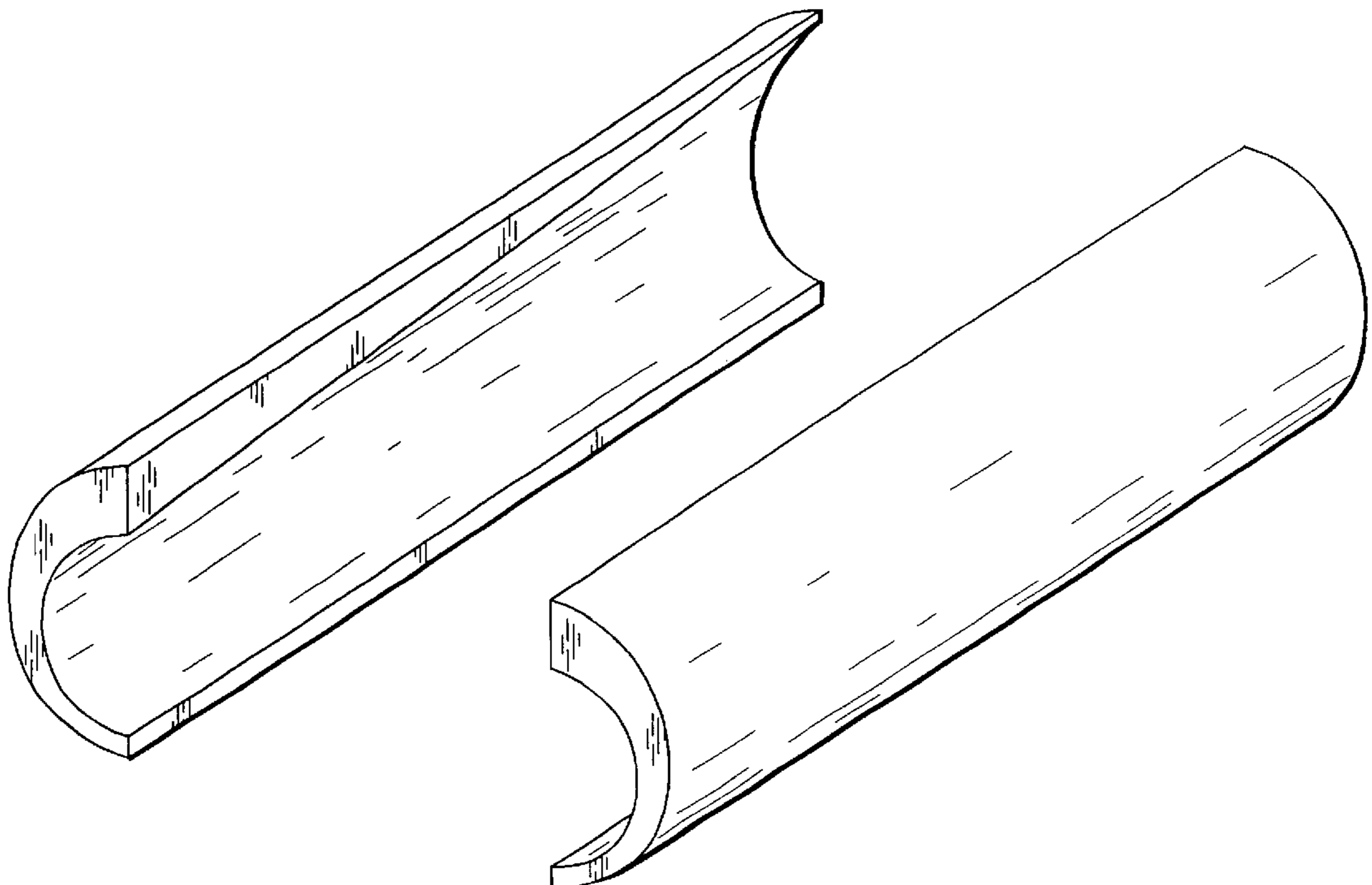
FIG. 9 is a top plan view thereof;

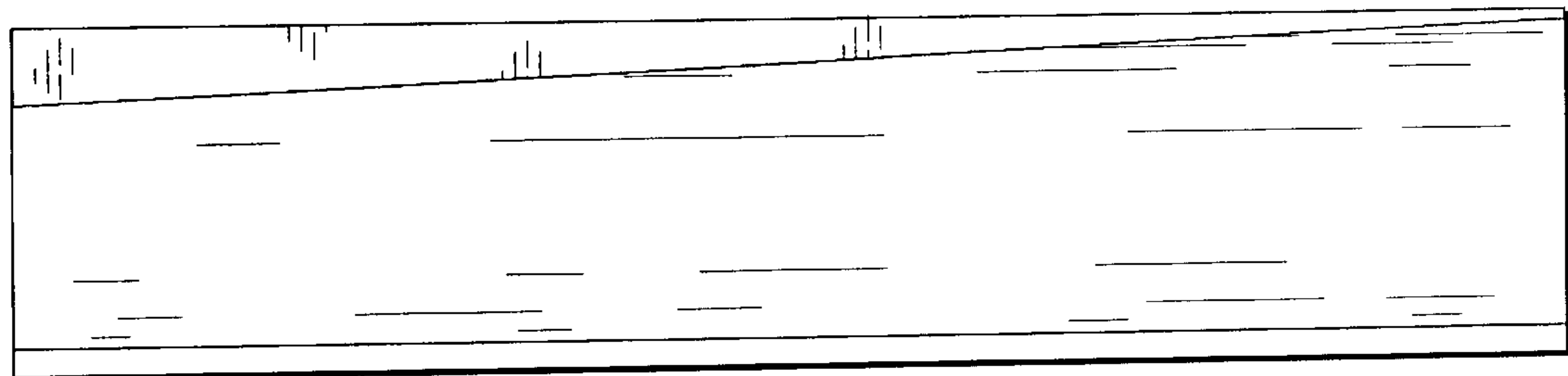
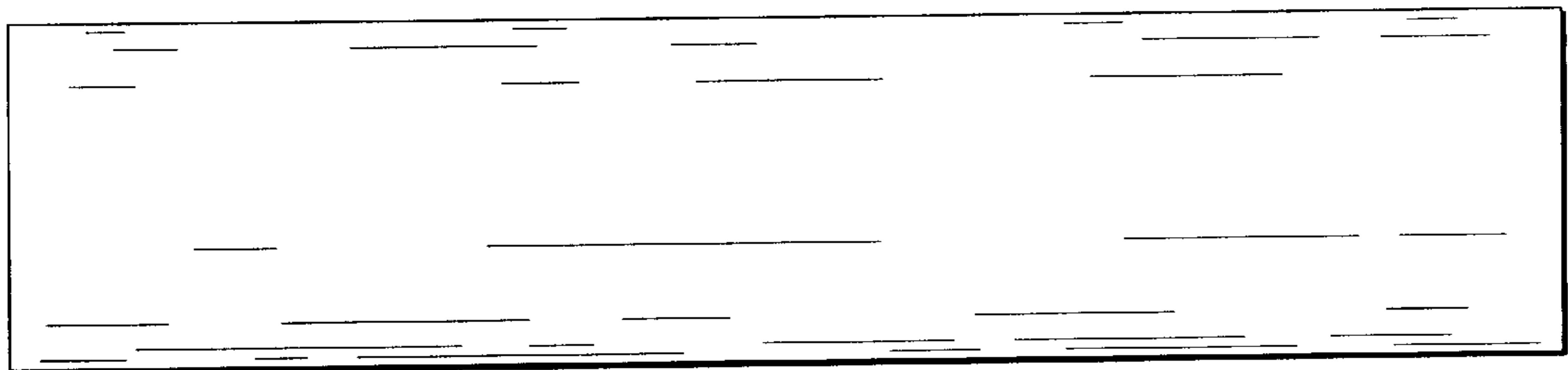
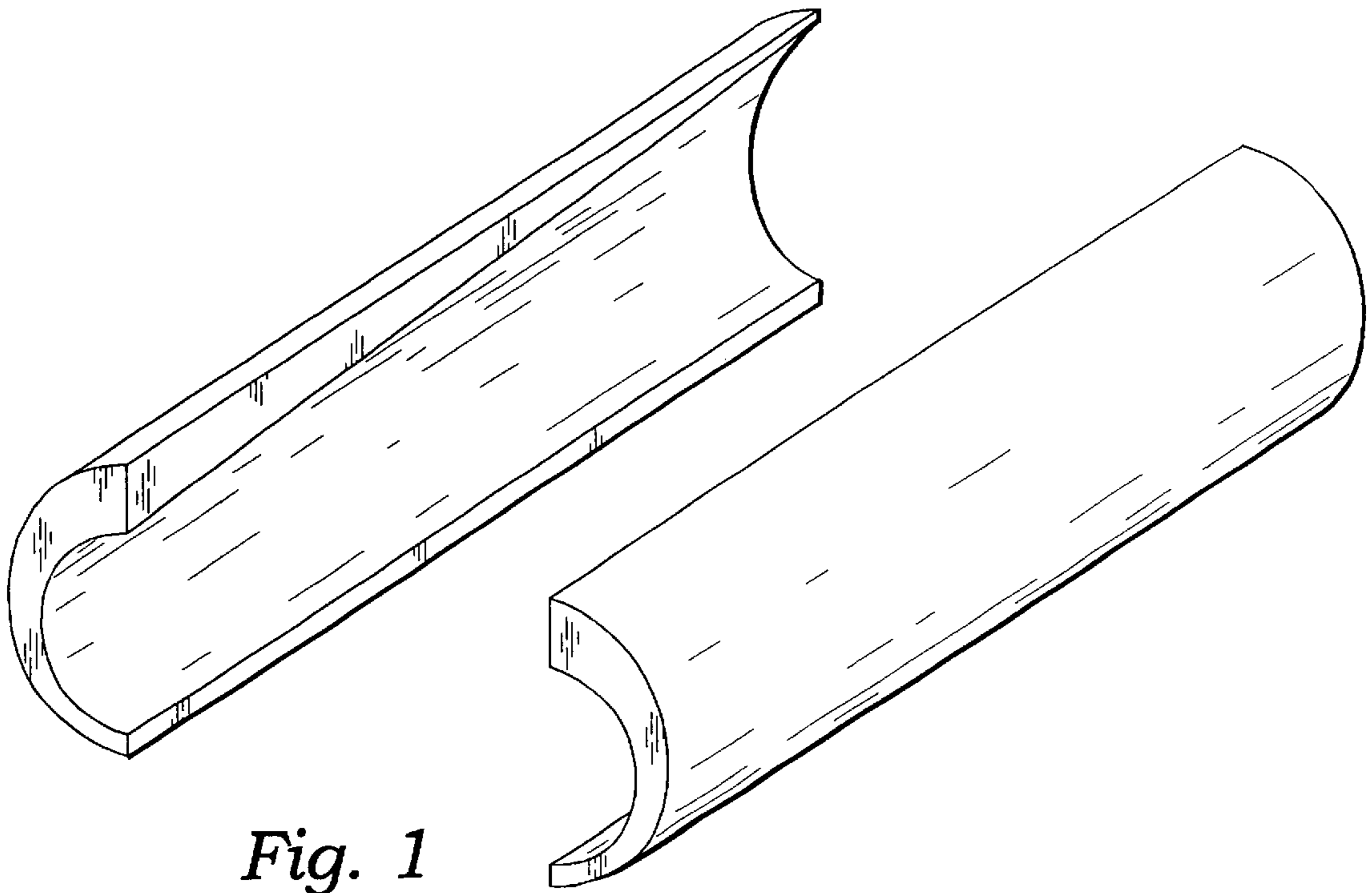
FIG. 10 is a bottom plan view thereof;

FIG. 11 is a first end elevation view thereof; and,

FIG. 12 is a second end elevation view thereof.

1 Claim, 4 Drawing Sheets





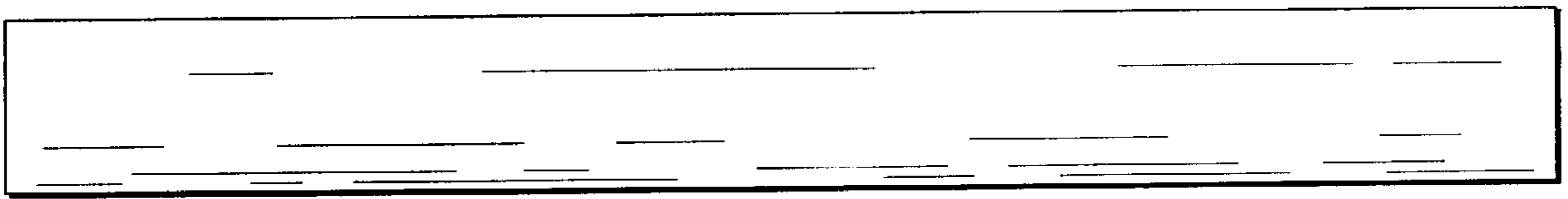


Fig. 4

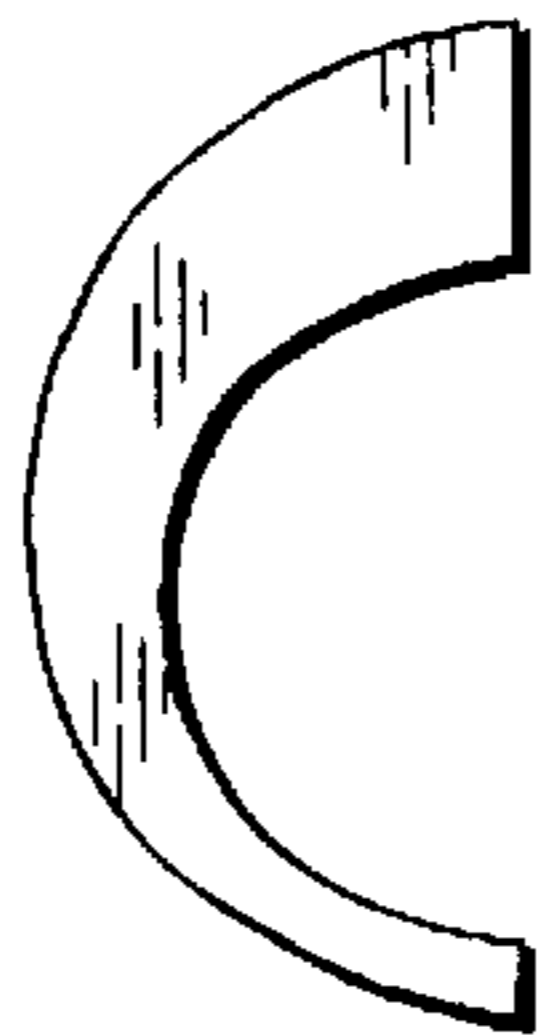


Fig. 5

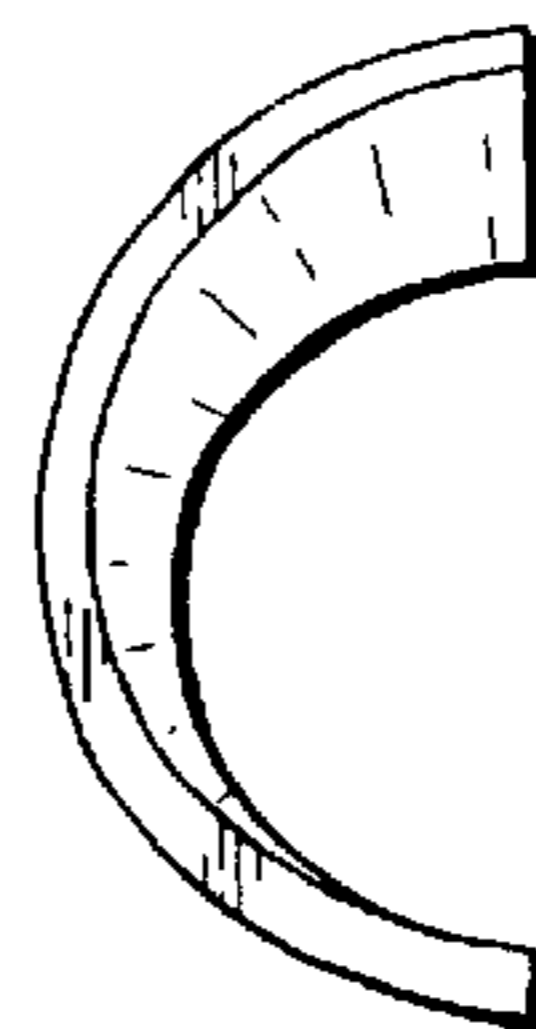


Fig. 6

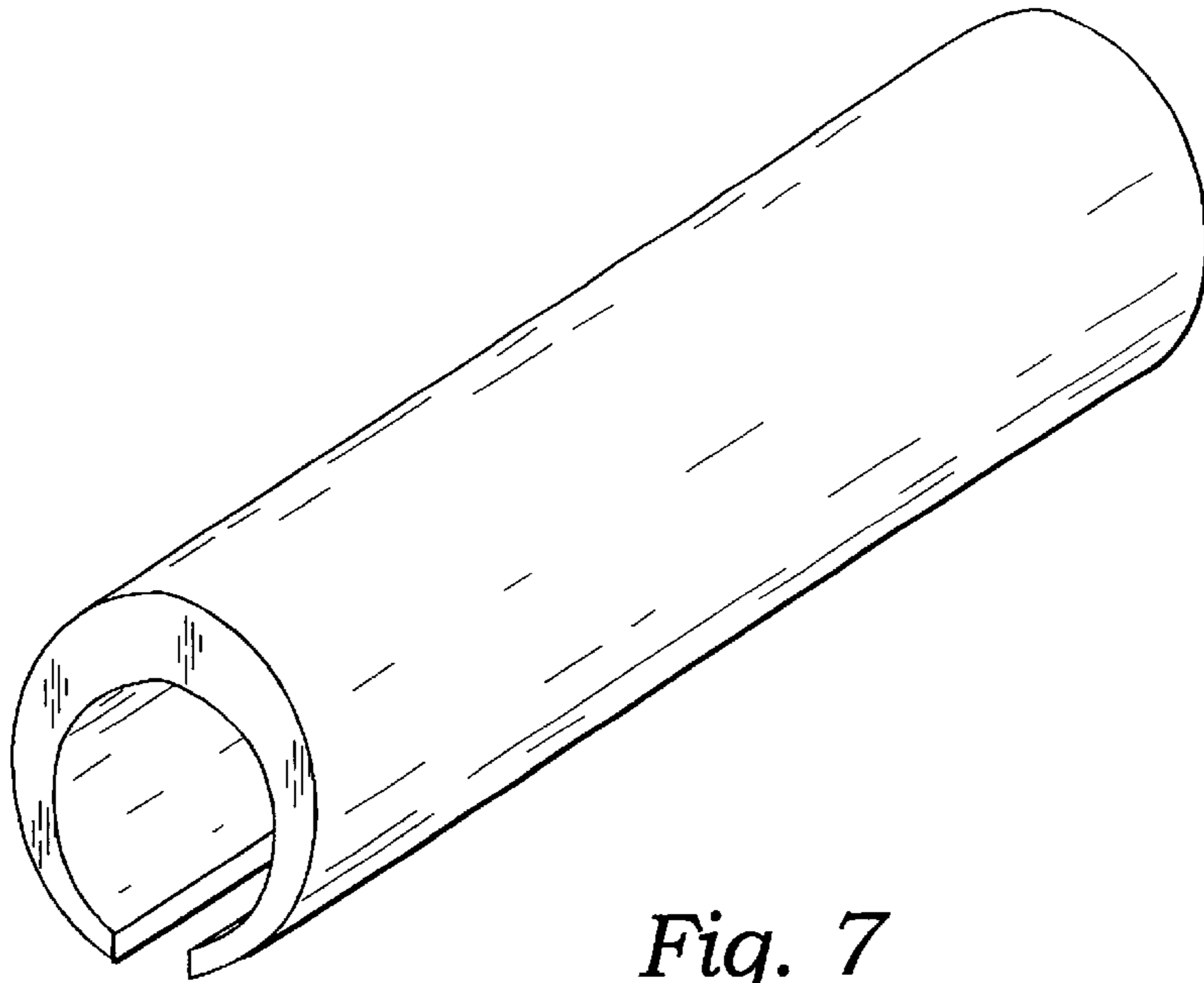


Fig. 7

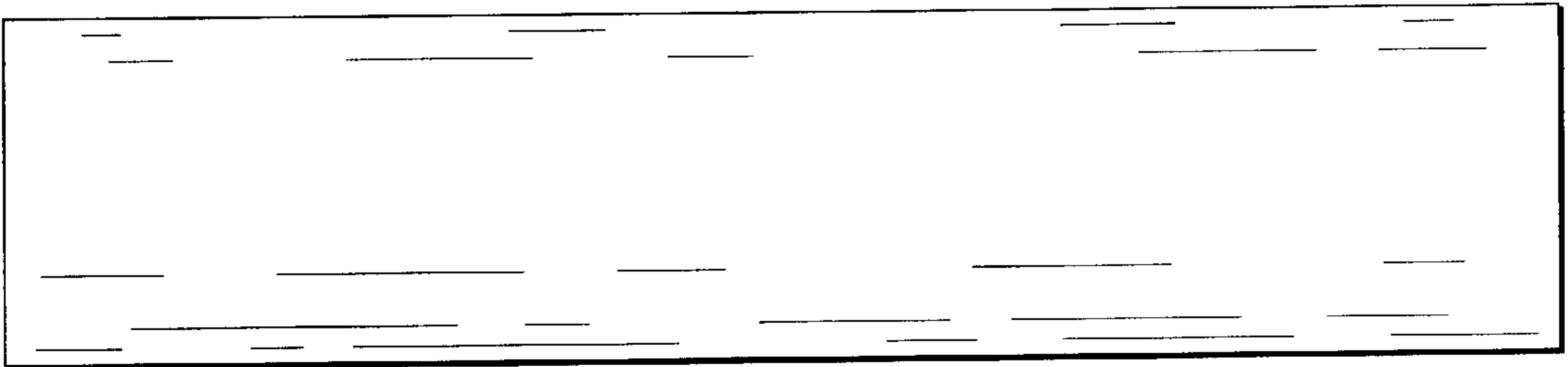


Fig. 8

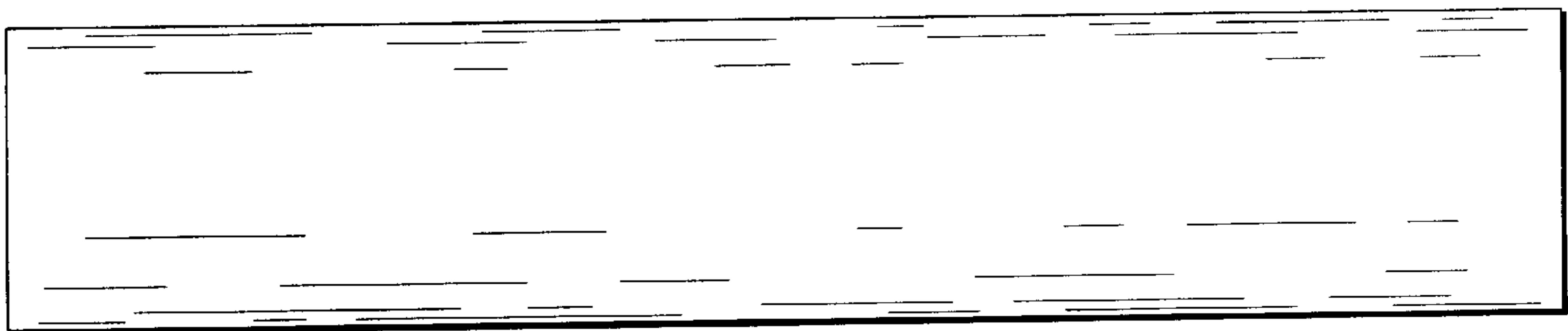


Fig. 9

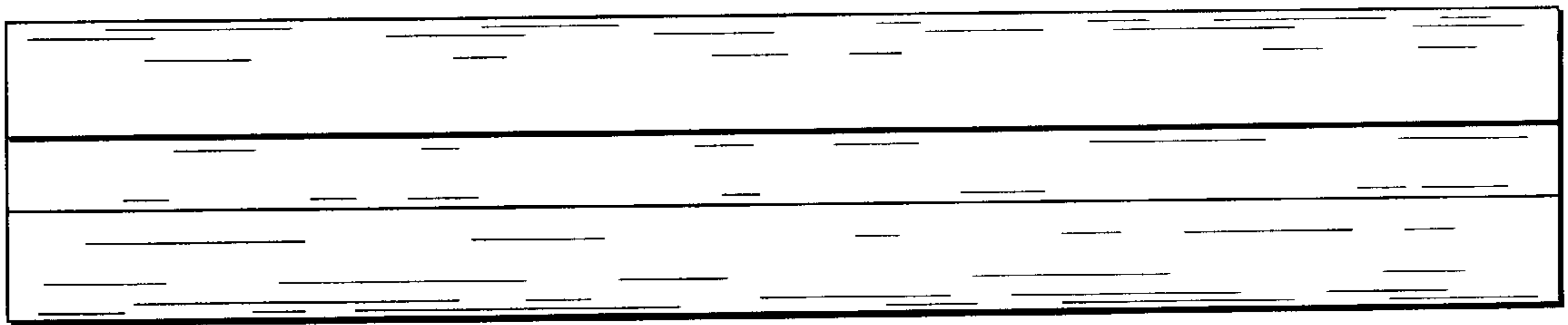


Fig. 10

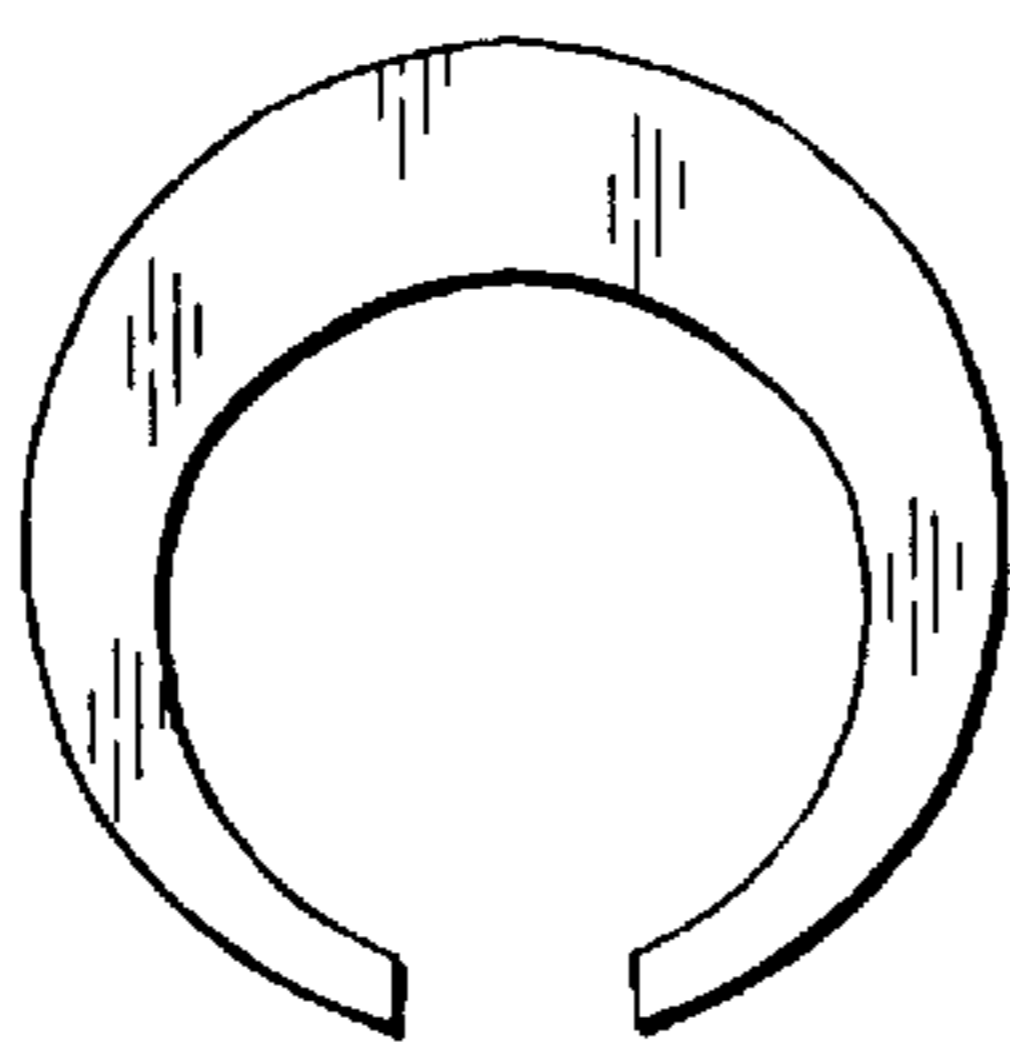


Fig. 11

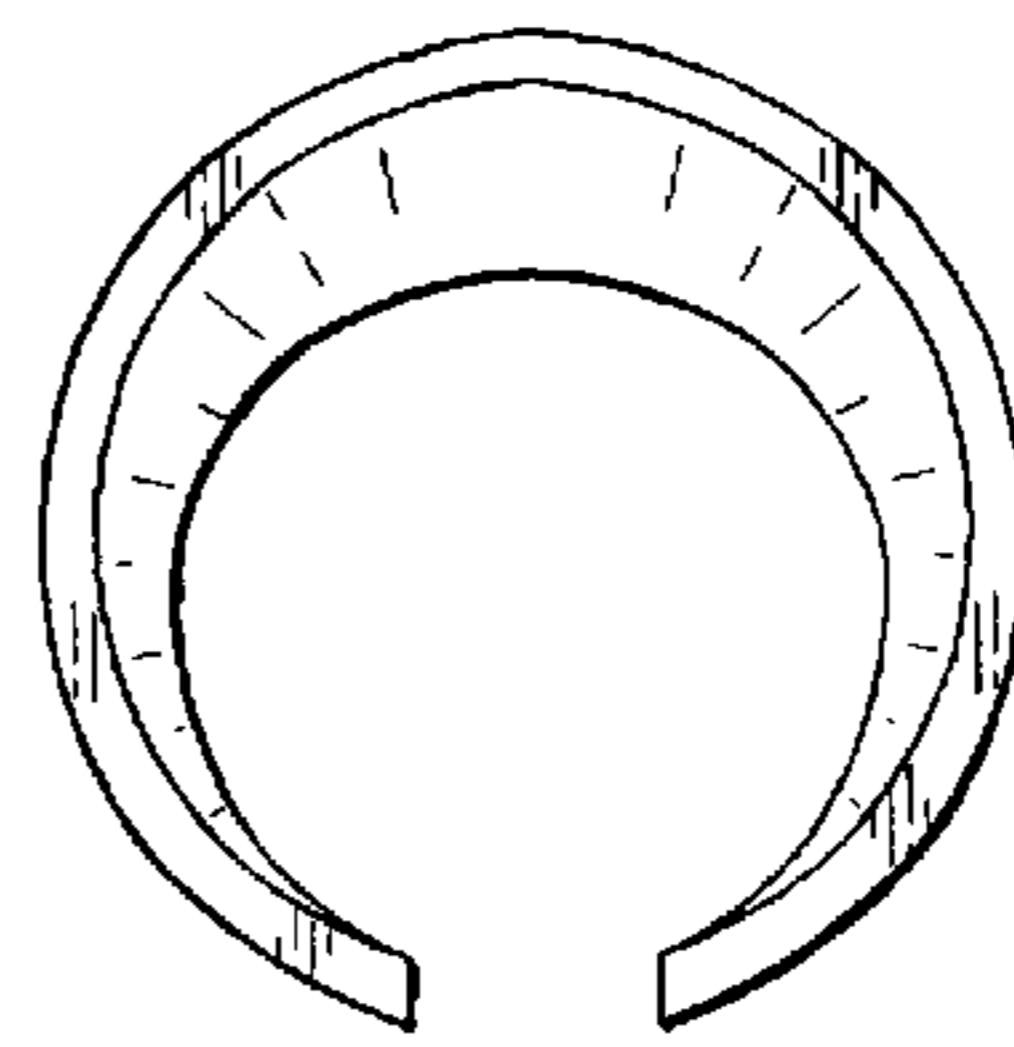


Fig. 12