



US00D462769S

(12) **United States Design Patent**
Meyer et al.

(10) **Patent No.:** **US D462,769 S**

(45) **Date of Patent:** **** Sep. 10, 2002**

(54) **ROTATABLE COUPLER FOR A PROSTHETIC LEG**

5,980,803 A	11/1999	Slemker et al.	
6,106,559 A	* 8/2000	Meyer	623/33
6,231,618 B1	* 5/2001	Schall et al.	623/36
6,287,345 B1	* 9/2001	Slemker et al.	623/34

(75) Inventors: **Wilbur N. Meyer**, Brookville, OH (US); **Robert B. Meyer**, Lewisburg, OH (US)

* cited by examiner

(73) Assignee: **Bulldog Tools Inc.**, Lewisburg, OH (US)

Primary Examiner—Antoine Duval Davis
(74) *Attorney, Agent, or Firm*—Jacox, Meckstroth & Jenkins

(**) Term: **14 Years**

(57) **CLAIM**

(21) Appl. No.: **29/149,015**

The ornamental design of a rotatable coupler for a prosthetic leg, as shown and described.

(22) Filed: **Oct. 1, 2001**

(51) **LOC (7) Cl.** **24-03**

(52) **U.S. Cl.** **D24/155**

(58) **Field of Search** D24/155; 623/27, 623/31, 33-36, 38

DESCRIPTION

FIG. 1 is a perspective view of a rotatable coupler for a prosthetic leg, showing our new design;
FIG. 2 is a top view thereof;
FIG. 3 is a bottom view thereof; and,
FIG. 4 is a side view thereof.

(56) **References Cited**

U.S. PATENT DOCUMENTS

5,545,230 A * 8/1996 Kinsinger et al. 623/38

1 Claim, 1 Drawing Sheet

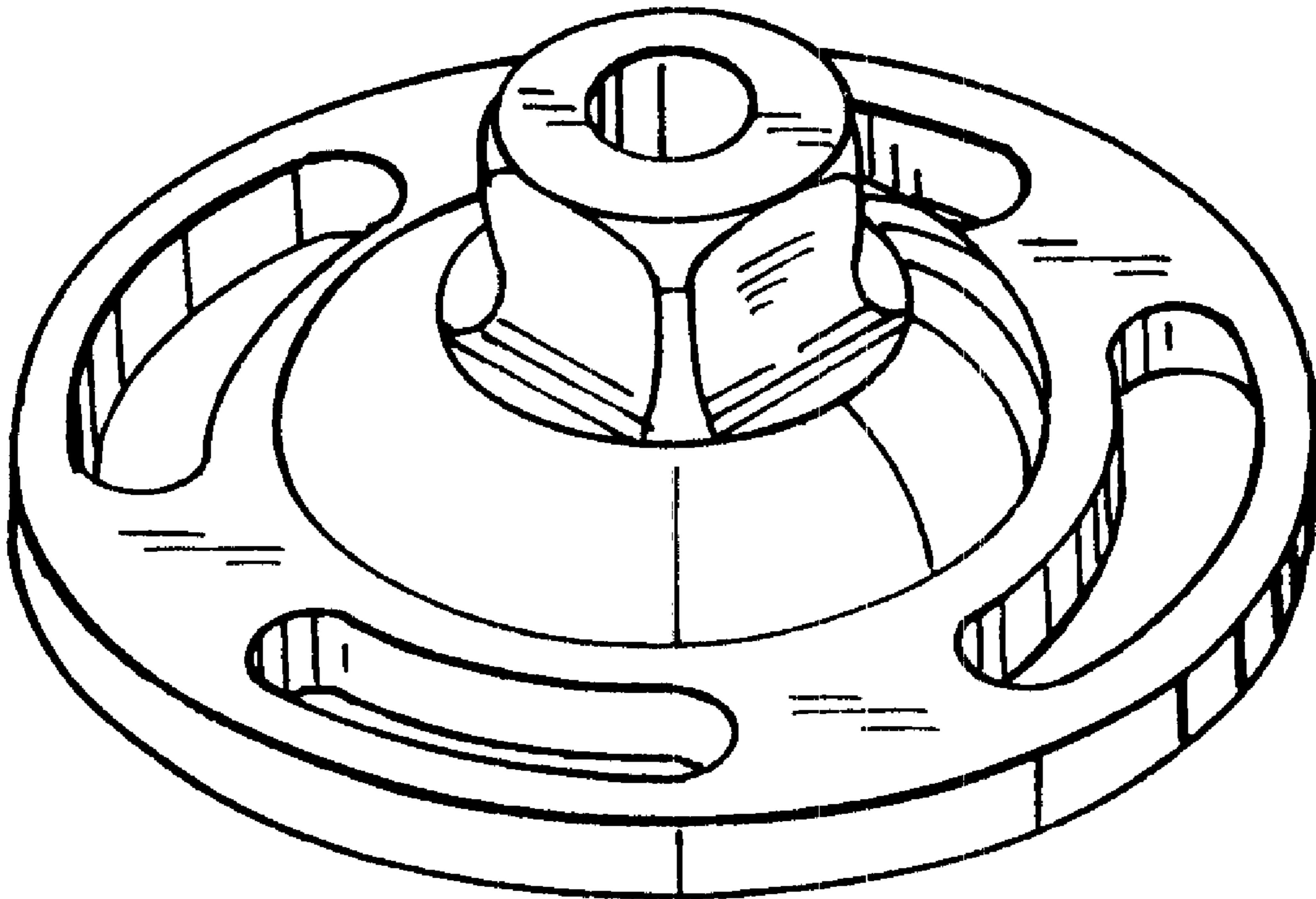


FIG-1

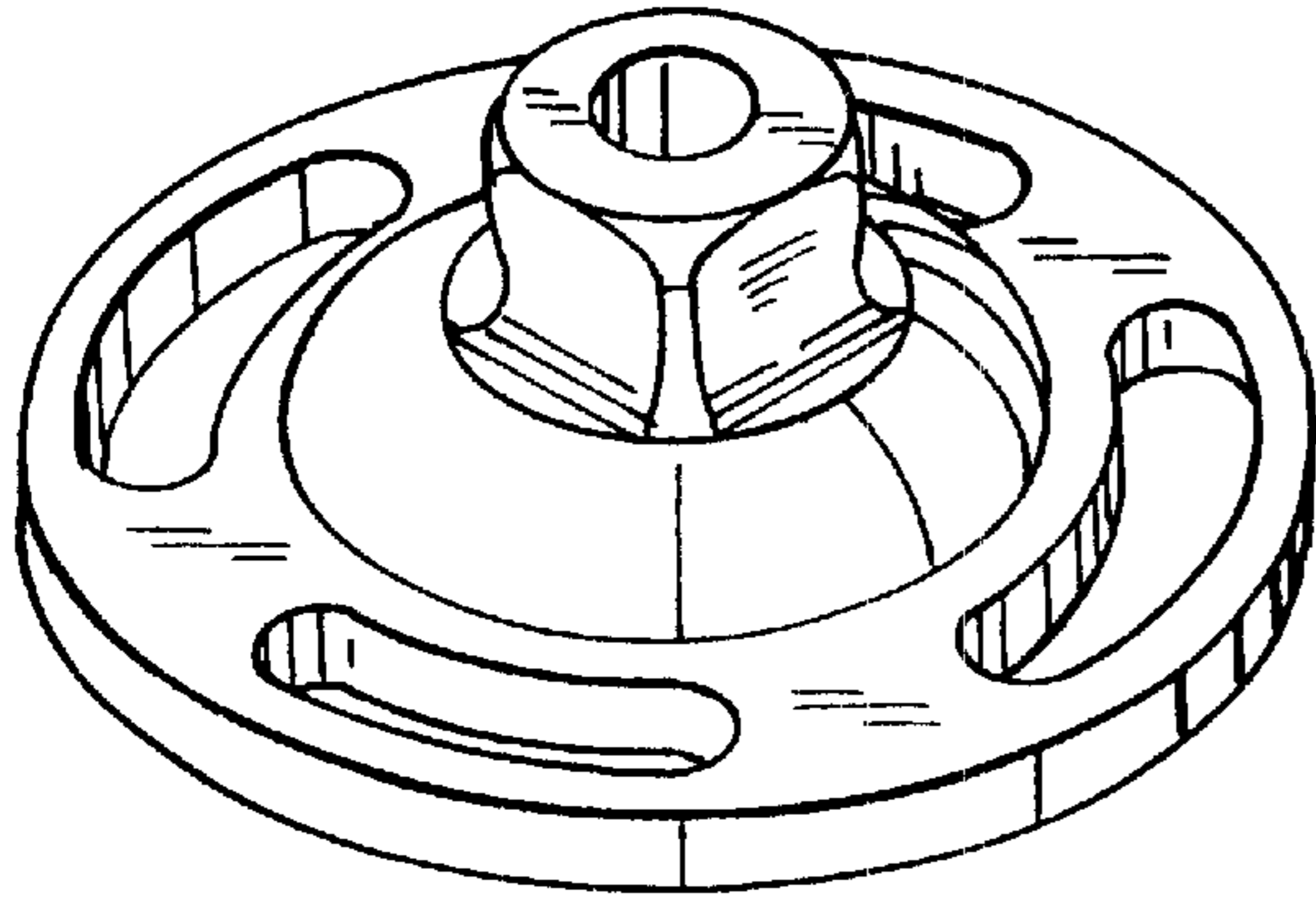


FIG-2

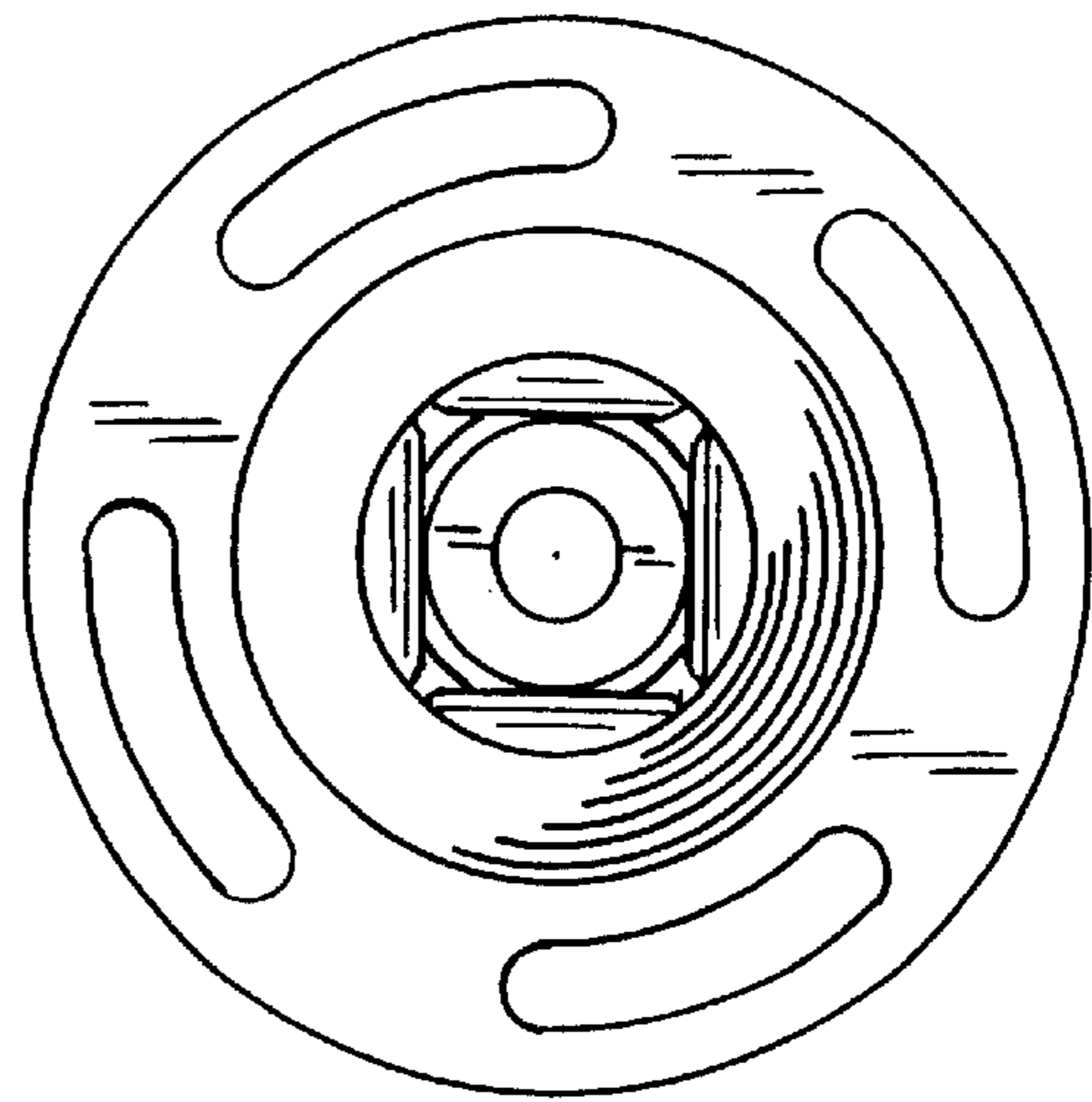


FIG-3

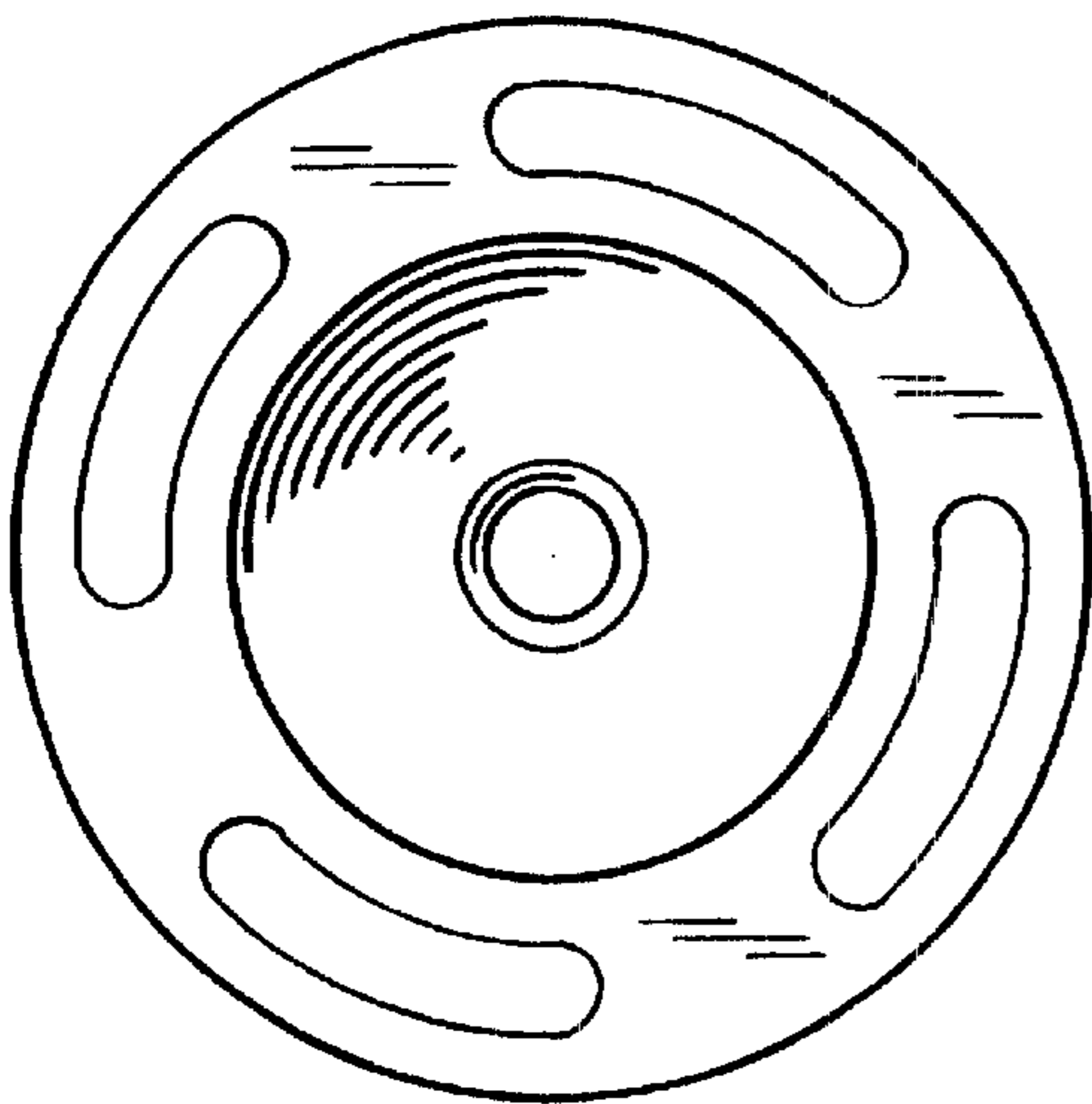


FIG-4

