



US00D462768S

(12) **United States Design Patent**
Meyer et al.

(10) **Patent No.:** **US D462,768 S**

(45) **Date of Patent:** **** Sep. 10, 2002**

(54) **SLIDABLE AND ROTATABLE COUPLER FOR A PROSTHETIC LEG**

6,013,105 A * 1/2000 Potts 623/38
6,267,787 B1 * 7/2001 Copper et al. 623/36
6,328,764 B1 * 12/2001 Mady 623/22.16

(75) Inventors: **Wilbur N. Meyer**, Brookville, OH (US); **Robert B. Meyer**, Lewisburg, OH (US)

OTHER PUBLICATIONS

Sliding, Rotating Pyramid Receiver—1998 pdiwins.com.

(73) Assignee: **Bulldog Tools Inc.**, Lewisburg, OH (US)

* cited by examiner

(**) Term: **14 Years**

Primary Examiner—Antoine Duval Davis

(74) *Attorney, Agent, or Firm*—Jacox, Meckstroth & Jenkins

(21) Appl. No.: **29/149,014**

(57) **CLAIM**

(22) Filed: **Oct. 1, 2001**

The ornamental design of a slidable and rotatable coupler for a prosthetic leg, as shown and described.

(51) **LOC (7) Cl.** **24-03**

DESCRIPTION

(52) **U.S. Cl.** **D24/155**

(58) **Field of Search** D24/155; 264/222, 264/573, DIG. 30; 425/2, 389; 623/22.15–22.29, 33–39

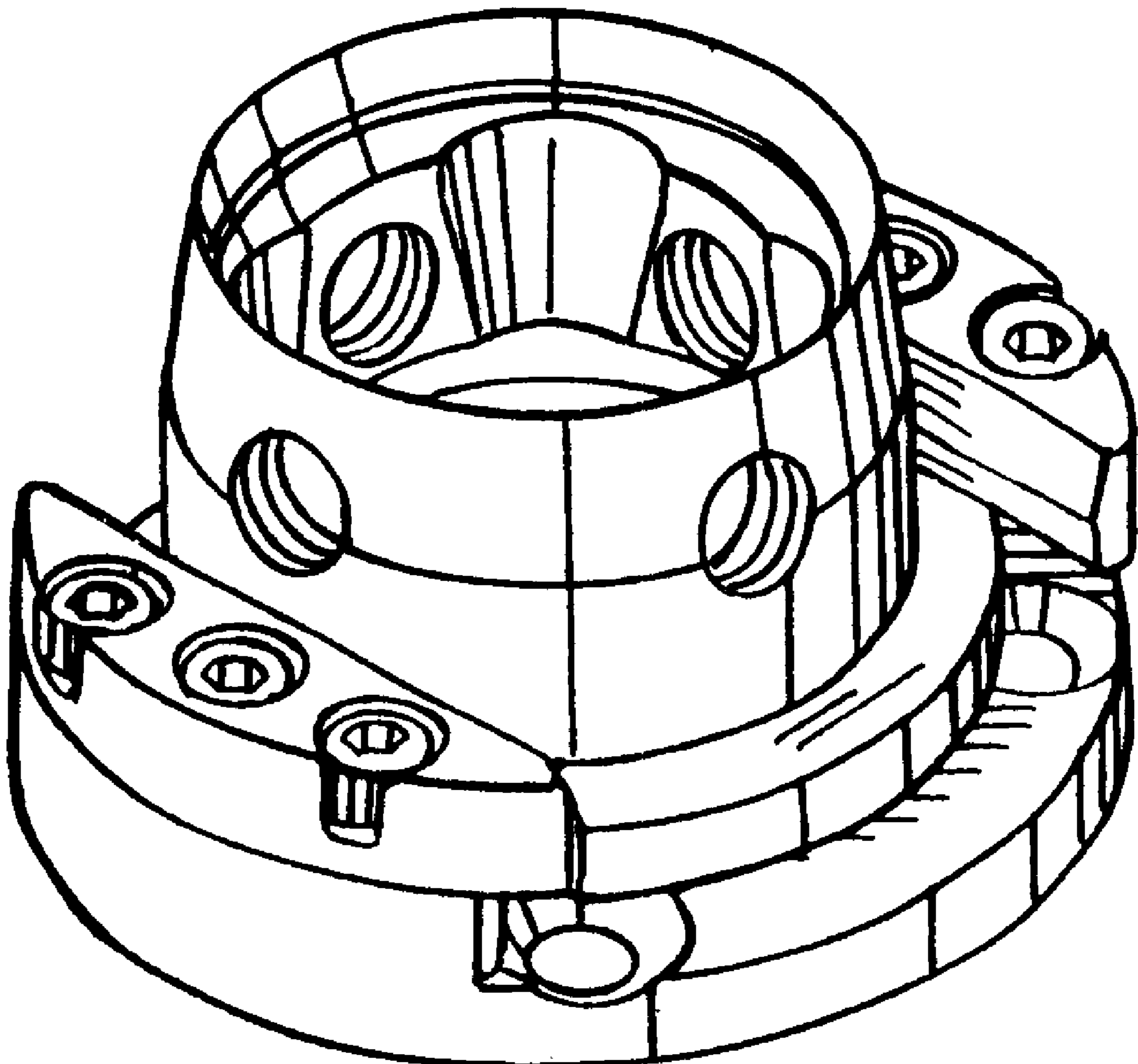
FIG. 1 is a perspective view of a slidable and rotatable coupler for a prosthetic leg, showing our new design; FIG. 2 is a top view thereof; FIG. 3 is a bottom view thereof; FIG. 4 is one side view thereof; and, FIG. 5 is another side view thereof.

(56) **References Cited**

U.S. PATENT DOCUMENTS

5,980,803 A 11/1999 Slemker et al.

1 Claim, 1 Drawing Sheet



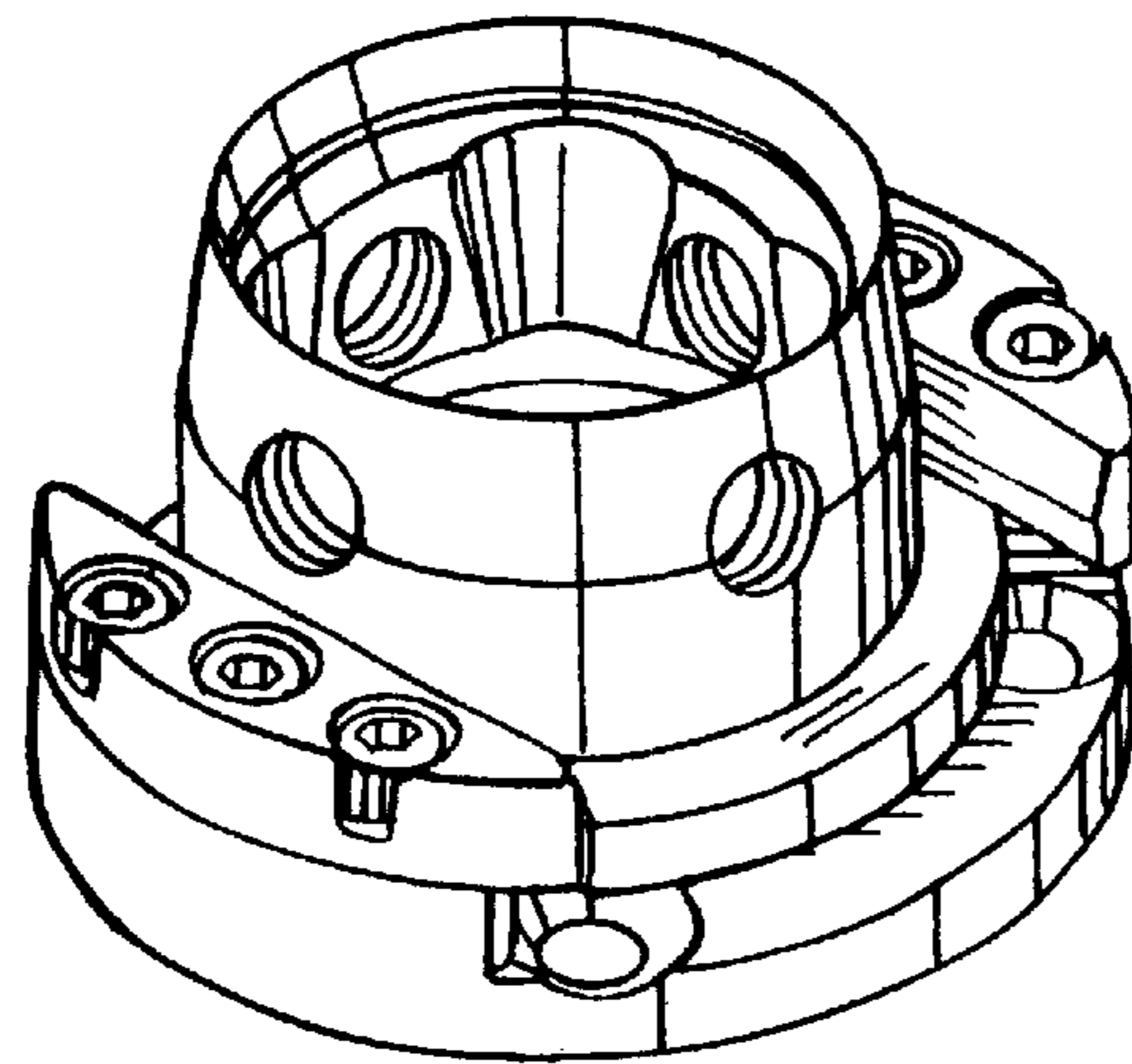


FIG-1

FIG-2

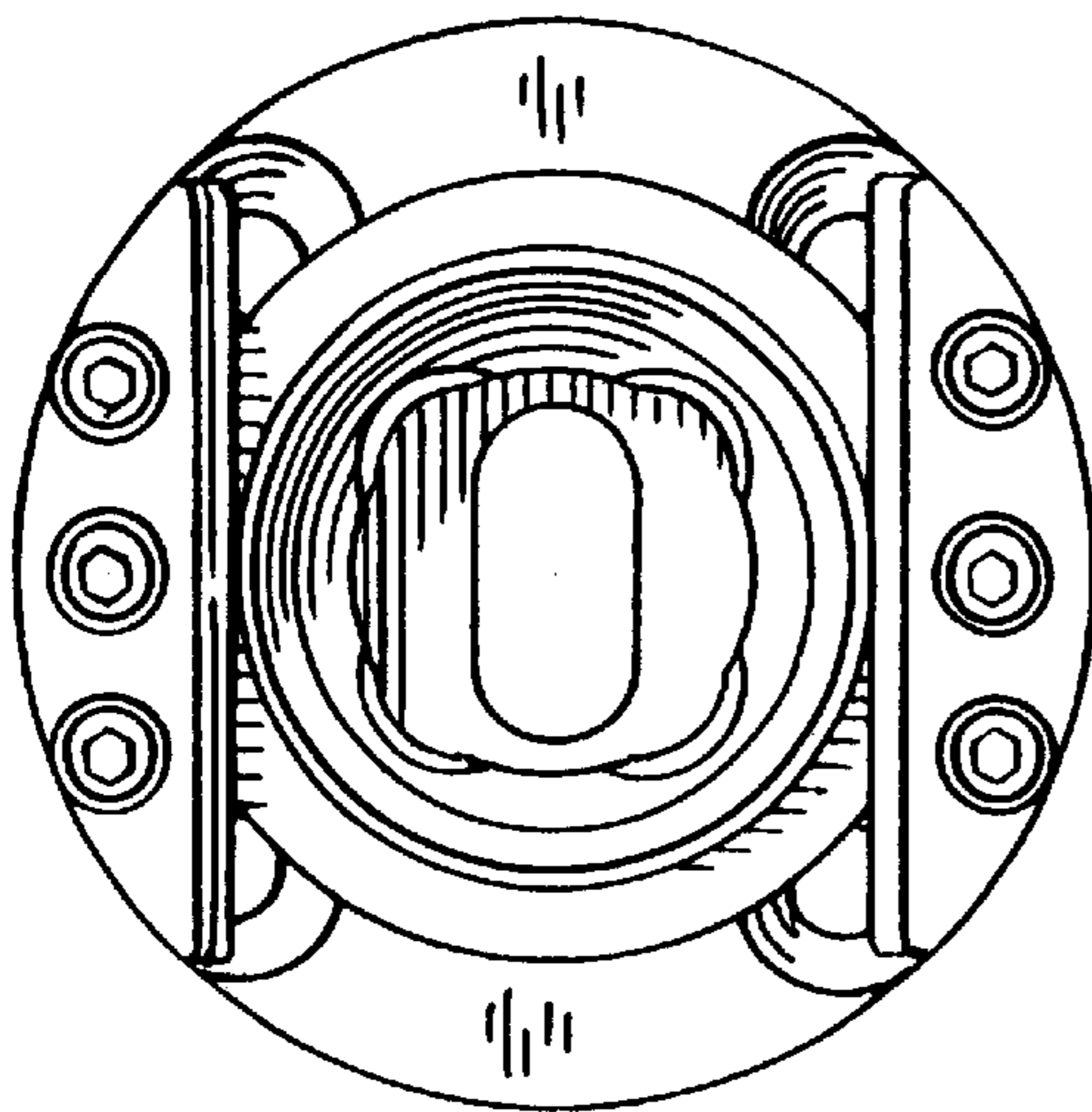


FIG-3

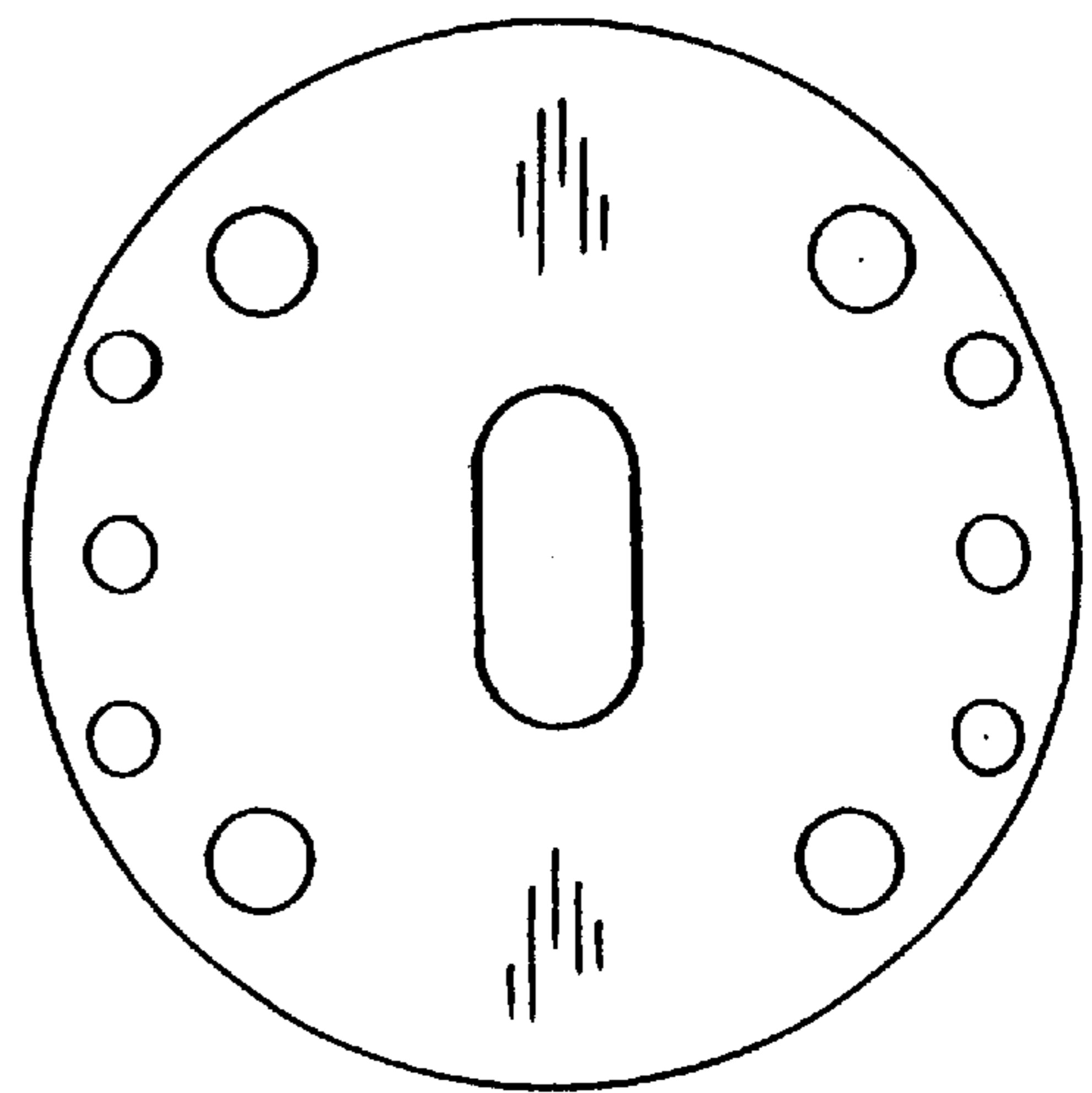


FIG-4

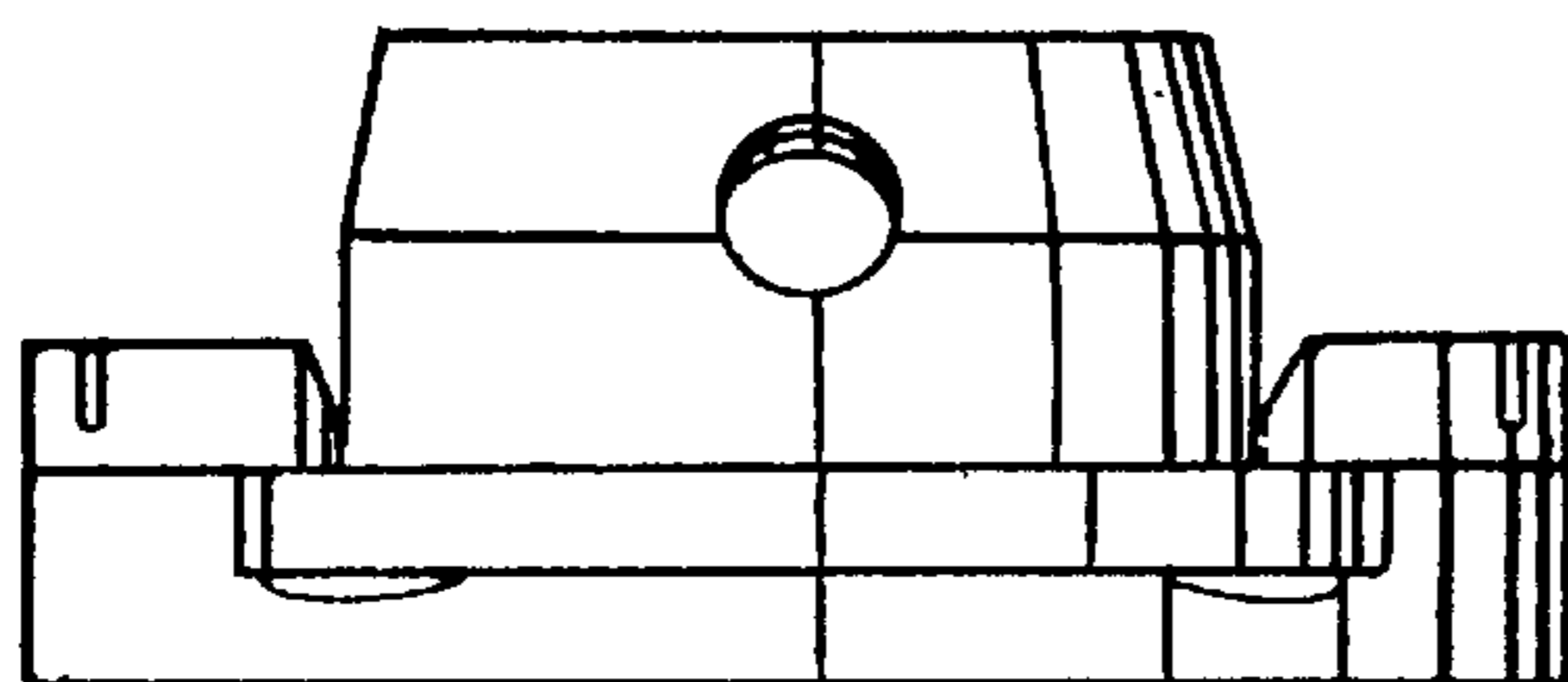


FIG-5

