



US00D462766S

(12) **United States Design Patent**  
**Jacobs et al.**

(10) **Patent No.:** **US D462,766 S**

(45) **Date of Patent:** **\*\* Sep. 10, 2002**

(54) **BROW LIFT DEVICE**

(75) Inventors: **Daniel Jacobs**, Palo Alto, CA (US);  
**Robert James Elson**, Palo Alto, CA (US)

(73) Assignee: **Coapt Systems, Inc.**, Palo Alto, CA (US)

(\*\*) Term: **14 Years**

(21) Appl. No.: **29/137,316**

(22) Filed: **Feb. 16, 2001**

(51) **LOC (7) Cl.** ..... **24-02**

(52) **U.S. Cl.** ..... **D24/146; D24/155**

(58) **Field of Search** ..... D24/155, 133,  
D24/146, 147; 606/73, 72, 77, 154, 204.35,  
230, 53, 60; 623/15.11, 15.12

(56) **References Cited**

**U.S. PATENT DOCUMENTS**

D374,286 S \* 10/1996 Goble et al. .... D24/145

5,611,814 A \* 3/1997 Lorenc ..... 606/204.35  
5,634,926 A \* 6/1997 Jobe ..... 606/72  
5,868,746 A \* 2/1999 Sarver et al. .... 606/72  
5,950,633 A \* 9/1999 Lynch et al.  
6,015,410 A \* 1/2000 Tormala et al. .... 606/73

\* cited by examiner

*Primary Examiner*—Ian Simmons

(74) *Attorney, Agent, or Firm*—Morrison & Foerster LLP

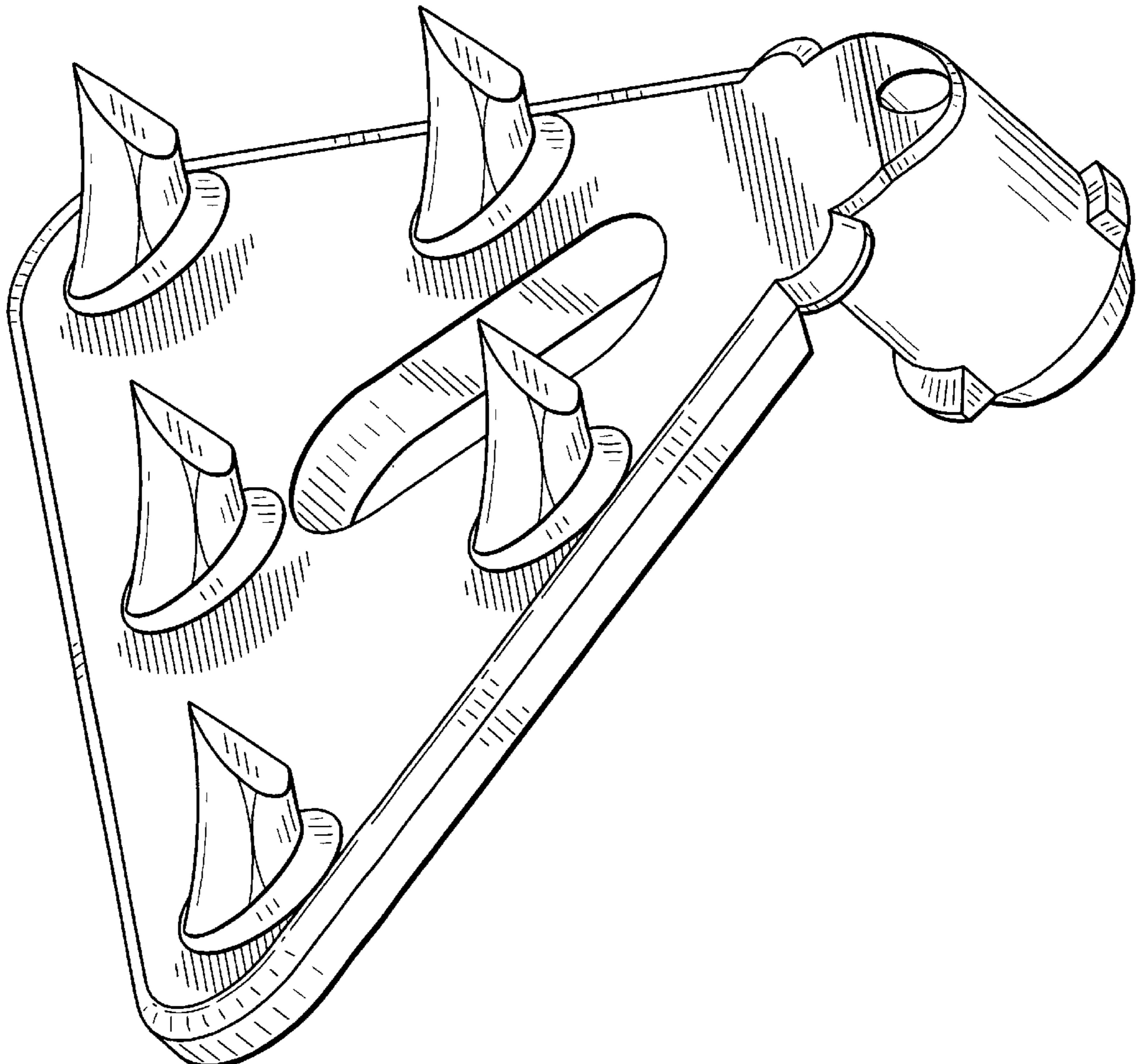
(57) **CLAIM**

The ornamental design for a brow lift device, as shown and described.

**DESCRIPTION**

FIG. 1 is a perspective view of the brow lift device.  
FIG. 2 is a top view of the brow lift device.  
FIG. 3 is a right-side view of the brow lift device.  
FIG. 4 is a left-side view of the brow lift device.  
FIG. 5 is a bottom view of the brow lift device.  
FIG. 6 is a front view of the brow lift device; and,  
FIG. 7 is a rear view of the brow lift device.

**1 Claim, 4 Drawing Sheets**



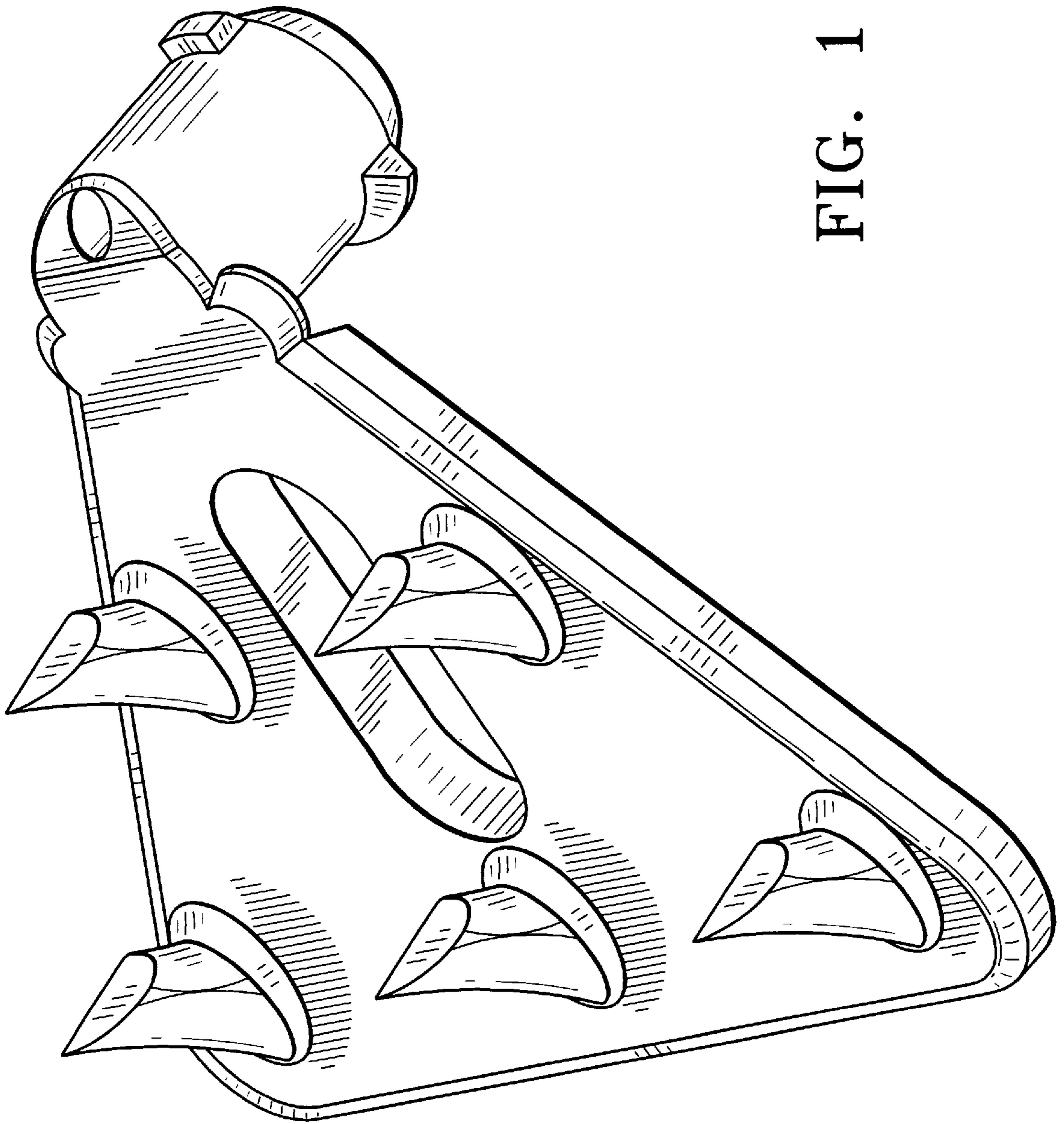


FIG. 1

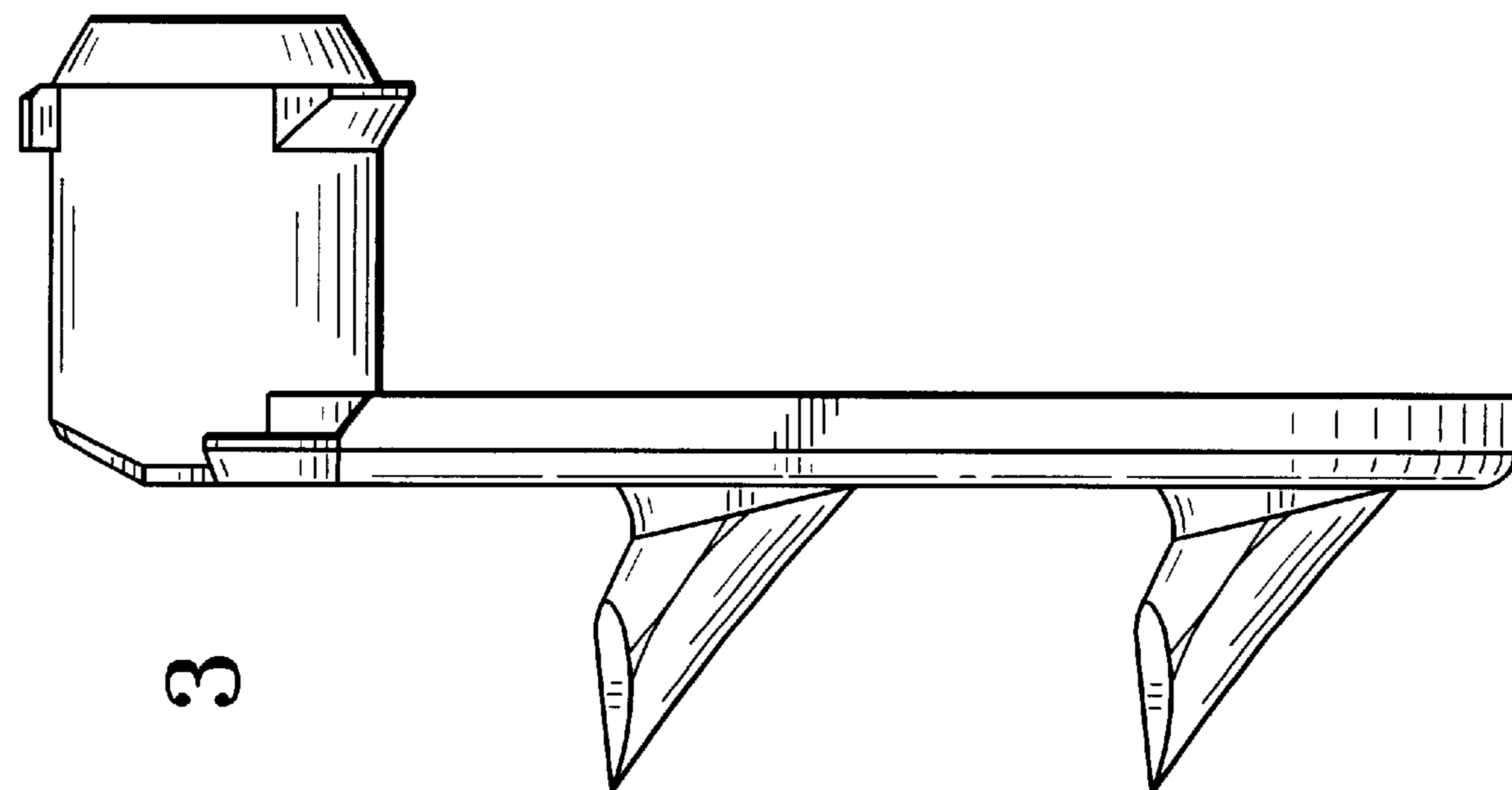


FIG. 3

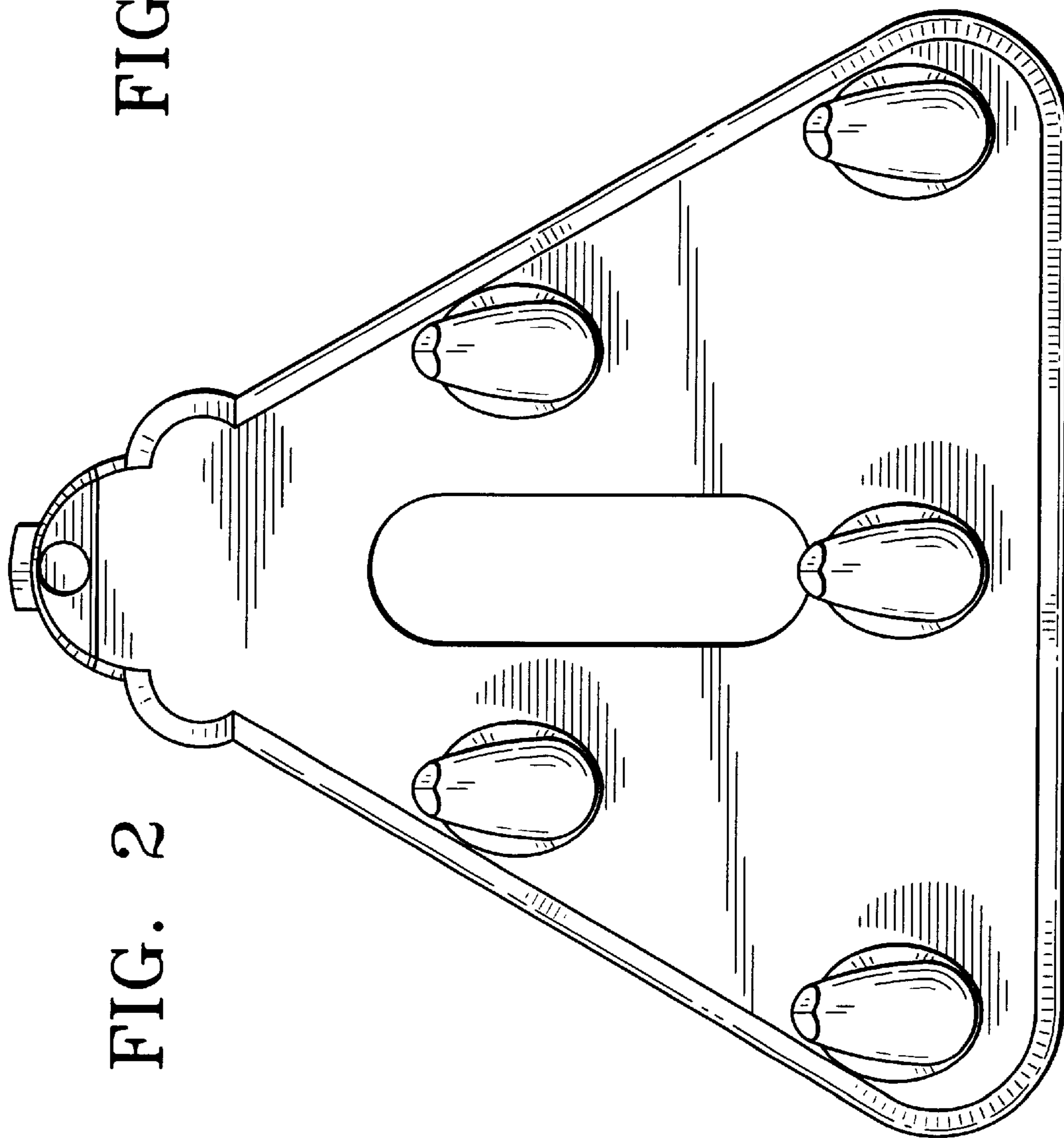


FIG. 2

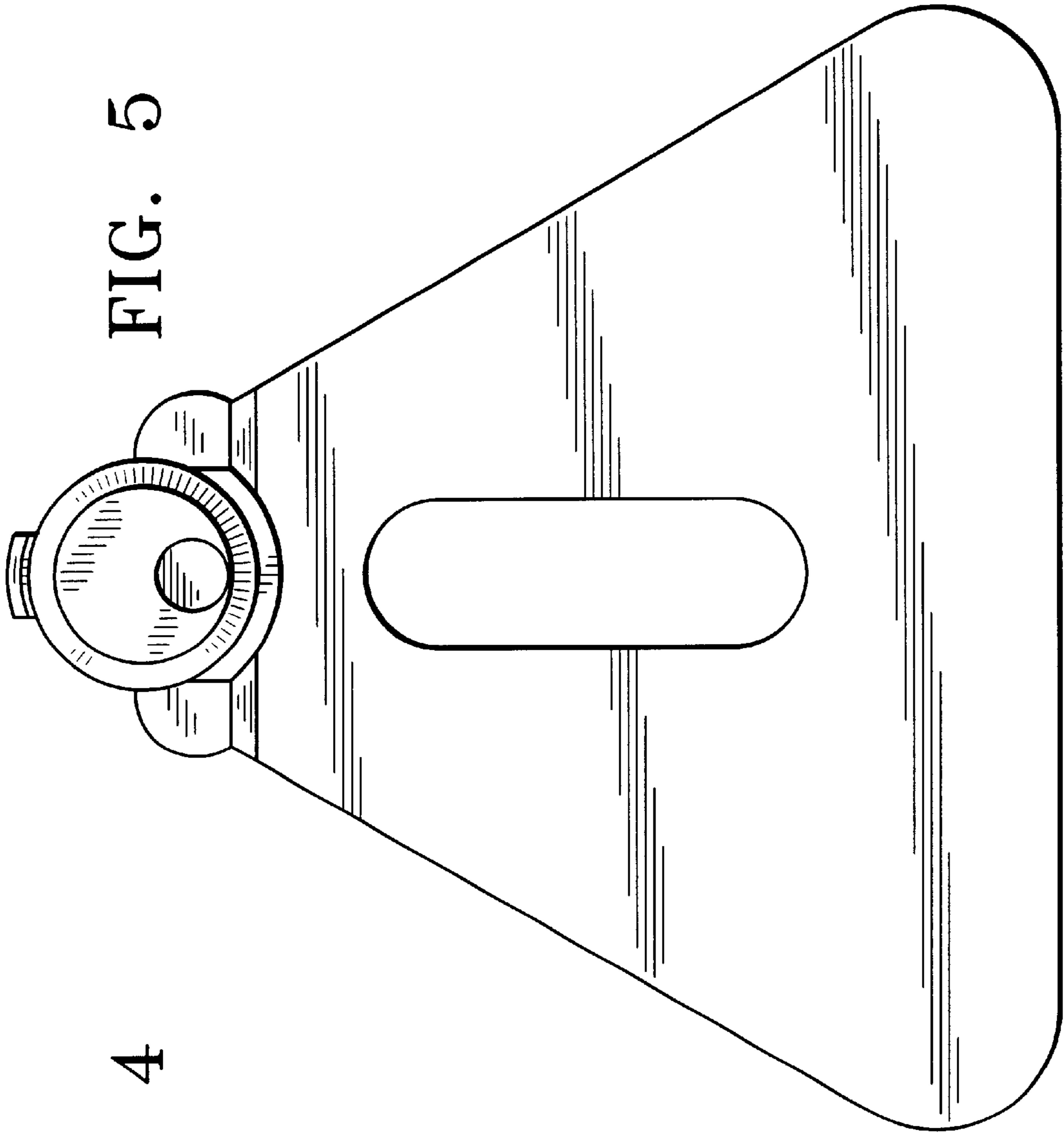


FIG. 5

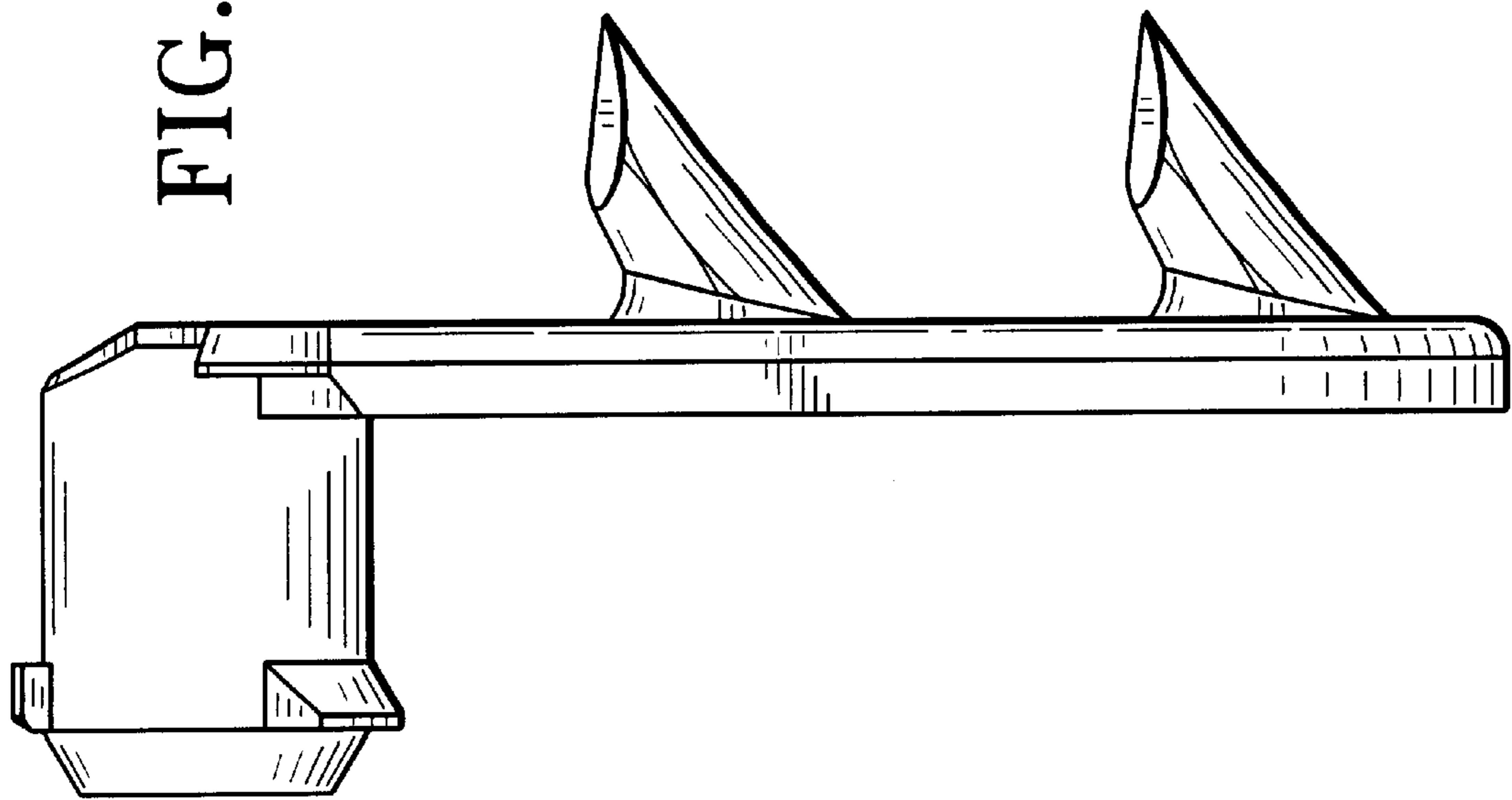


FIG. 4



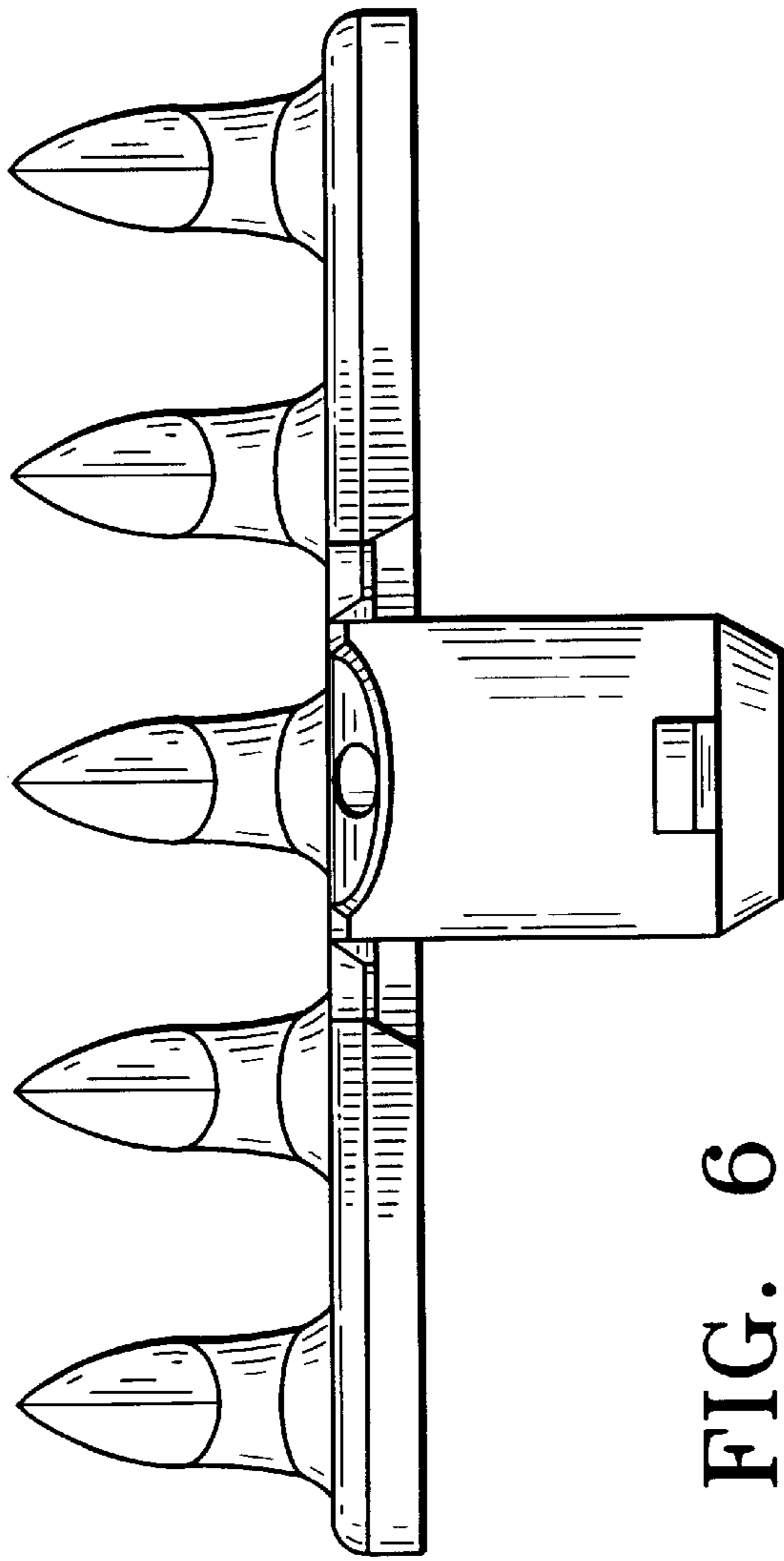


FIG. 6

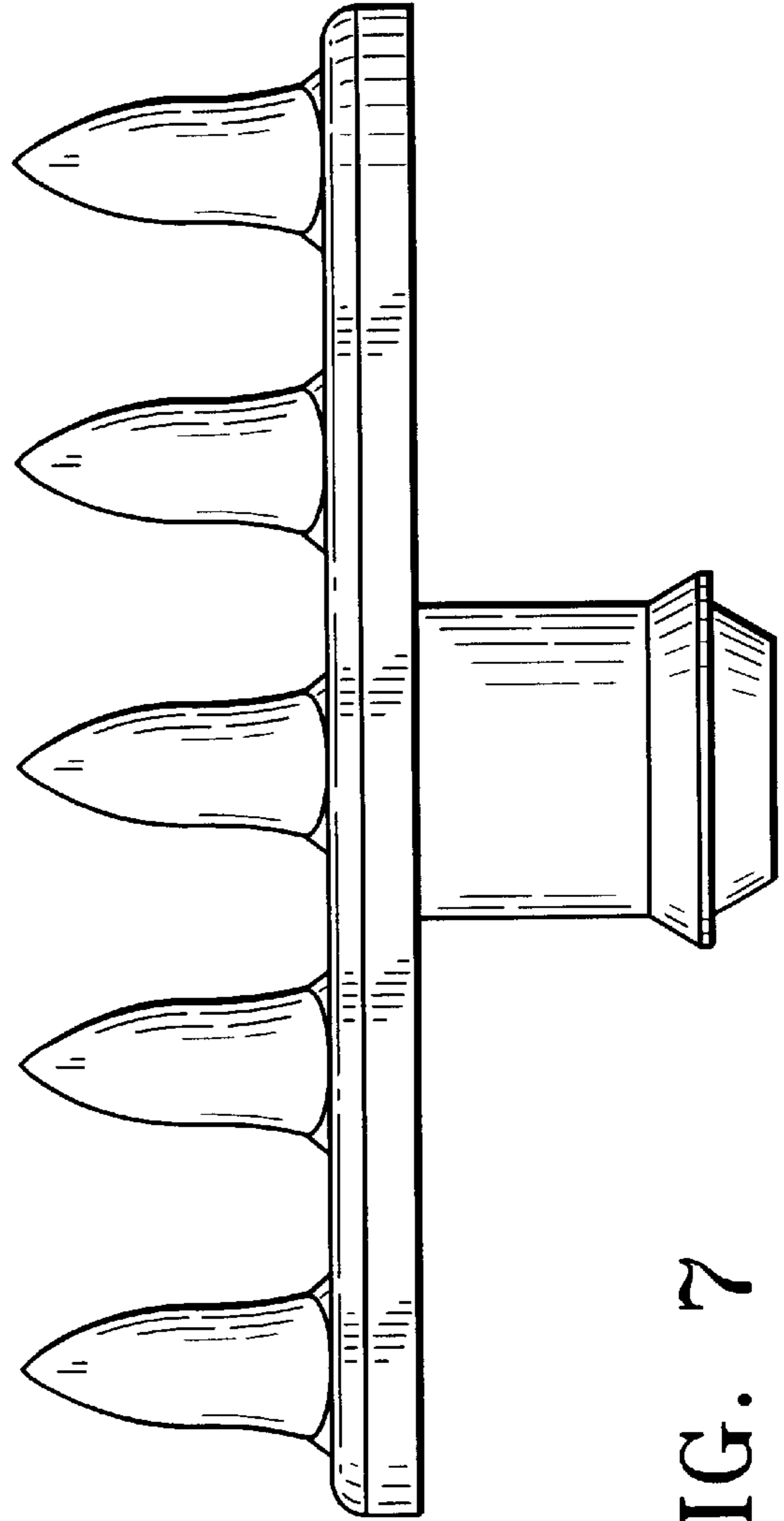


FIG. 7