



US00D462758S

(12) **United States Design Patent**
Epstein et al.

(10) **Patent No.:** **US D462,758 S**

(45) **Date of Patent:** **** Sep. 10, 2002**

(54) **PISTOL GRIP MANUALLY OPERABLE
IRRIGATION SURGICAL INSTRUMENT**

(75) Inventors: **Gordon Howard Epstein**, Fremont, CA
(US); **Alan Kirby Plyley**, Goleta, CA
(US); **Russell James Redmond**, Goleta,
CA (US)

(73) Assignee: **Baxter International Inc.**, Deerfield, IL
(US)

(**) Term: **14 Years**

(21) Appl. No.: **29/084,650**

(22) Filed: **Mar. 6, 1998**

Related U.S. Application Data

(63) Continuation of application No. 08/838,078, filed on Apr. 14, 1997, now Pat. No. 6,331,172, and a continuation of application No. 08/839,614, filed on Apr. 15, 1997, now Pat. No. 5,971,956.

(51) **LOC (7) Cl.** **24-01**

(52) **U.S. Cl.** **D24/108**

(58) **Field of Search** D24/108, 112,
D24/133, 143; 604/33, 30, 35, 21, 43, 27,
28

(56) **References Cited**

U.S. PATENT DOCUMENTS

- 3,065,749 A 11/1962 Brass
- 4,519,385 A 5/1985 Atkinson et al.
- 4,573,979 A 3/1986 Blake
- 4,617,013 A 10/1986 Betz
- 4,776,840 A 10/1988 Freitas et al.

- 5,186,714 A 2/1993 Boudreault et al.
- 5,226,877 A 7/1993 Epstein
- 5,295,956 A * 3/1994 Bales et al. 604/30
- D350,194 S * 8/1994 Marino et al. D24/108 X
- D353,886 S * 12/1994 Bales et al. D24/108
- 5,395,326 A 3/1995 Haber et al.
- 5,447,494 A 9/1995 Dorsey, III
- 5,490,836 A * 2/1996 Desai D24/112 X
- D368,773 S * 4/1996 Atkinson et al. D24/108
- 5,514,089 A * 5/1996 Walbrink et al. D24/112
- 5,520,658 A 5/1996 Holm
- D391,367 S * 2/1998 Sandock D24/108

FOREIGN PATENT DOCUMENTS

DE 3701190 7/1988

* cited by examiner

Primary Examiner—Ian Simmons

(74) *Attorney, Agent, or Firm*—Oppenheimer, Wolff & Donnelley

(57) **CLAIM**

The ornamental design for pistol grip manually operable irrigation surgical instrument, as shown and described.

DESCRIPTION

FIG. 1 is a side elevational view of a pistol grip manually operable irrigation surgical instrument showing our new design, the opposite side elevational view being a mirror image thereto;

FIG. 2 is a top plan view thereof;

FIG. 3 is a rear elevational view thereof;

FIG. 4 is a bottom plan view thereof; and,

FIG. 5 is a front elevational view thereof.

1 Claim, 2 Drawing Sheets

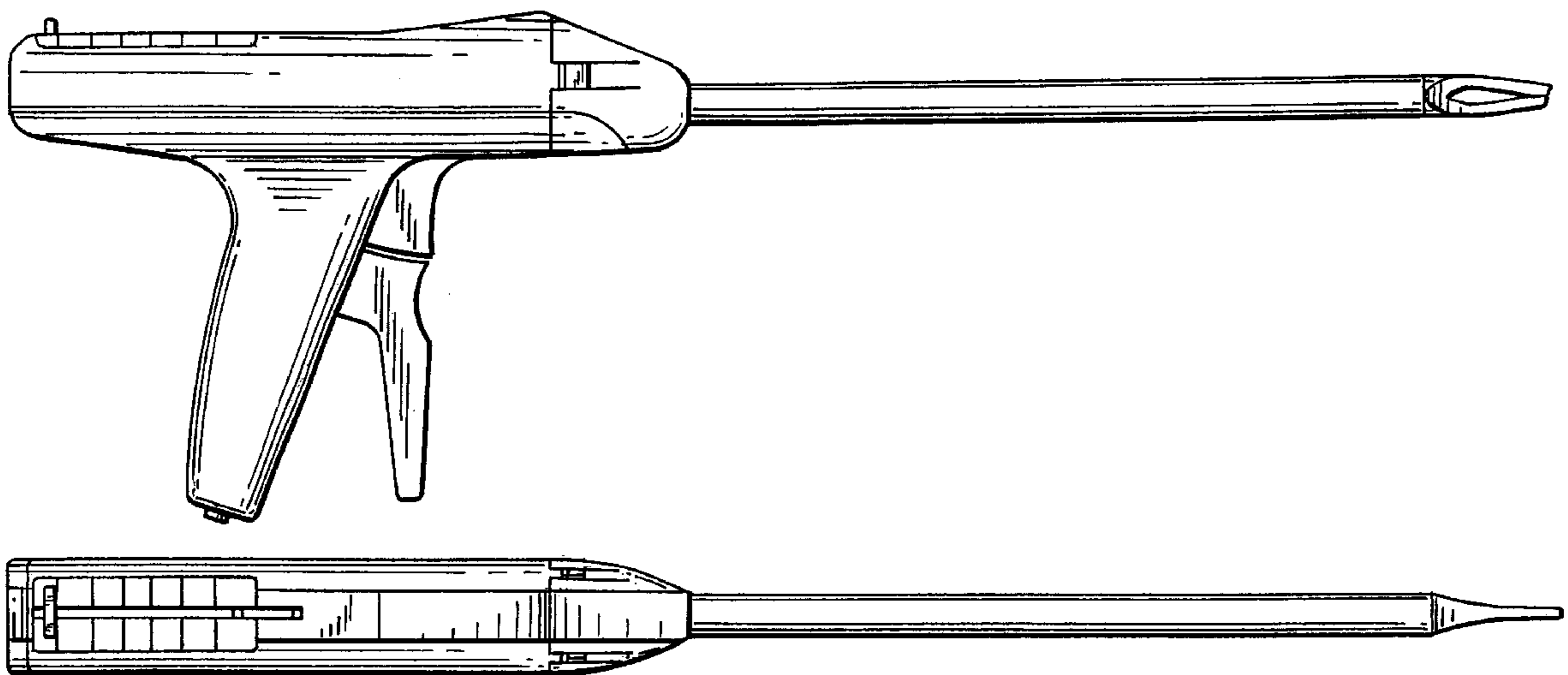


FIG. 1

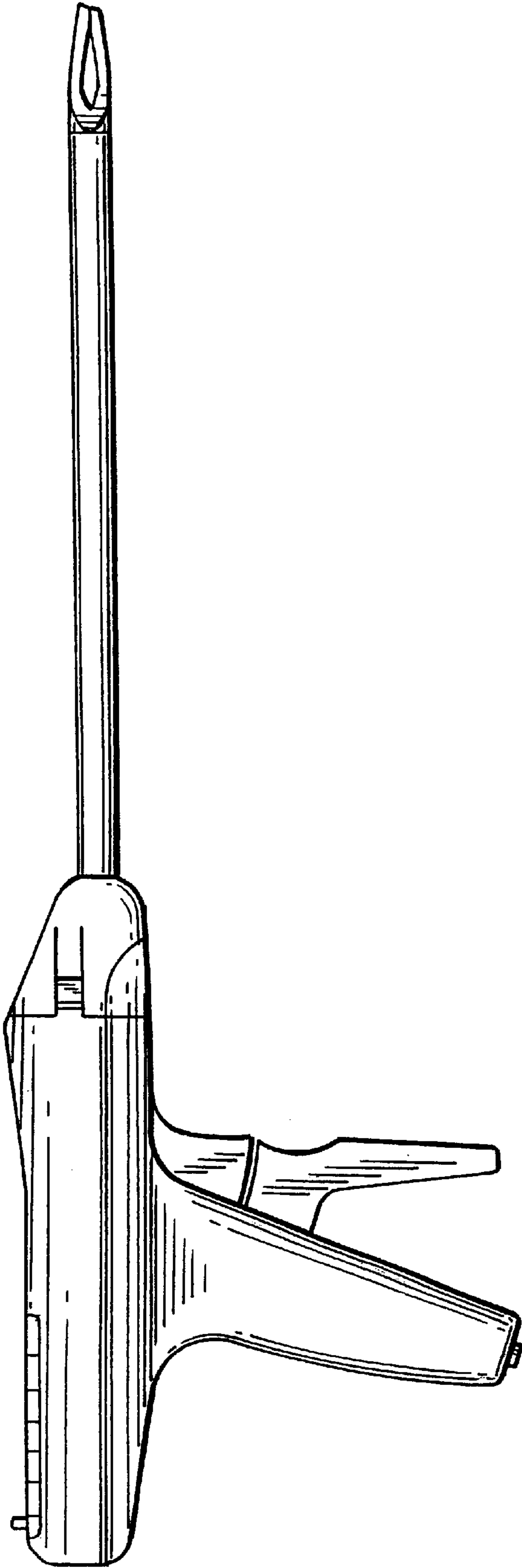
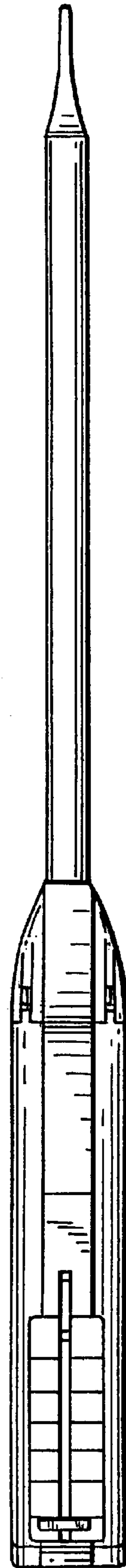


FIG. 2



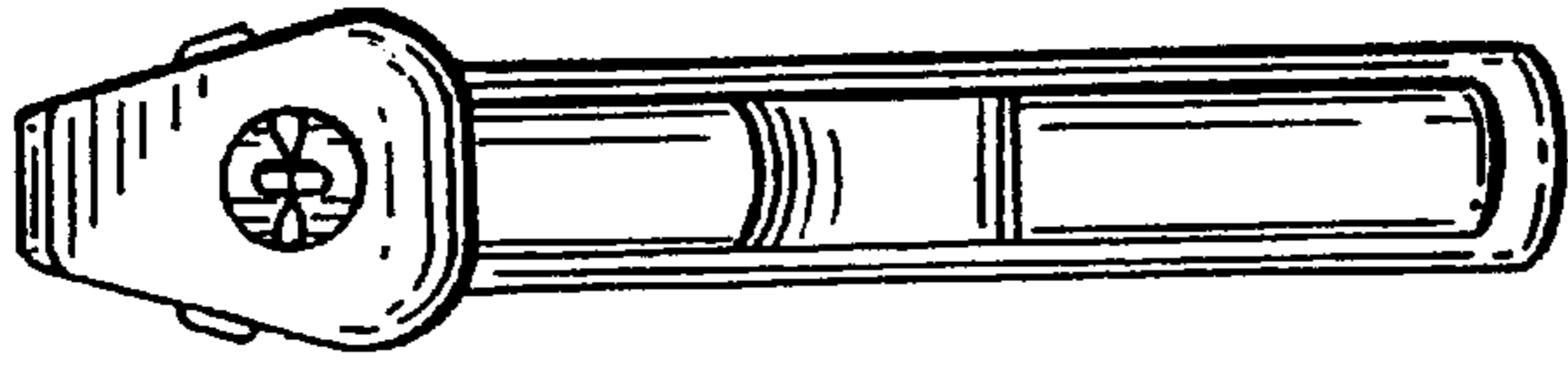


FIG. 5

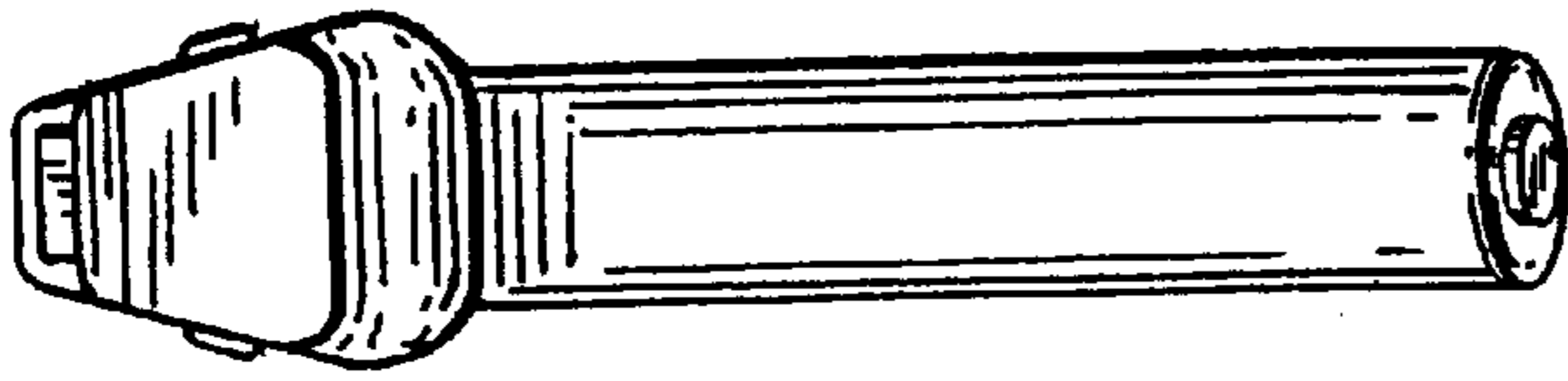


FIG. 3

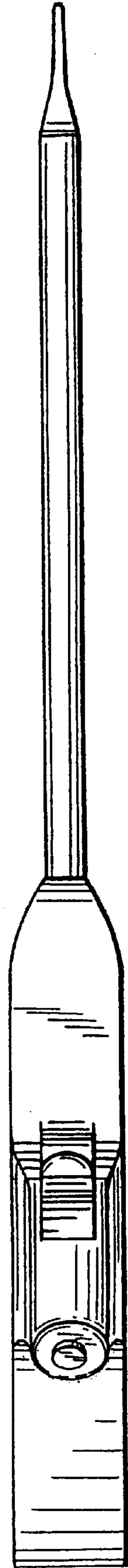


FIG. 4