



US00D462756S

(12) **United States Design Patent**
Liu

(10) **Patent No.:** **US D462,756 S**

(45) **Date of Patent:** **** Sep. 10, 2002**

(54) **COMBINED CEILING FAN MOTOR HOUSING AND BRACKET UNIT**

(75) **Inventor:** **Ching-Wen Liu, Feng Yuan (TW)**

(73) **Assignee:** **Pan Air Electric Co., Ltd. (TW)**

(**) **Term:** **14 Years**

(21) **Appl. No.:** **29/152,926**

(22) **Filed:** **Jan. 3, 2002**

(51) **LOC (7) Cl.** **23-04**

(52) **U.S. Cl.** **D23/377**

(58) **Field of Search** D23/377, 379,
D23/385, 411; 416/5; D26/59, 51, 86, 81-88,
72

(56) **References Cited**

U.S. PATENT DOCUMENTS

- D312,688 S * 12/1990 Mason D23/377
- D329,087 S * 9/1992 Markwardt D23/411

D411,295 S * 6/1999 Evans D23/411

* cited by examiner

Primary Examiner—Lisa Lichtenstein

(74) *Attorney, Agent, or Firm*—Charles E. Baxley

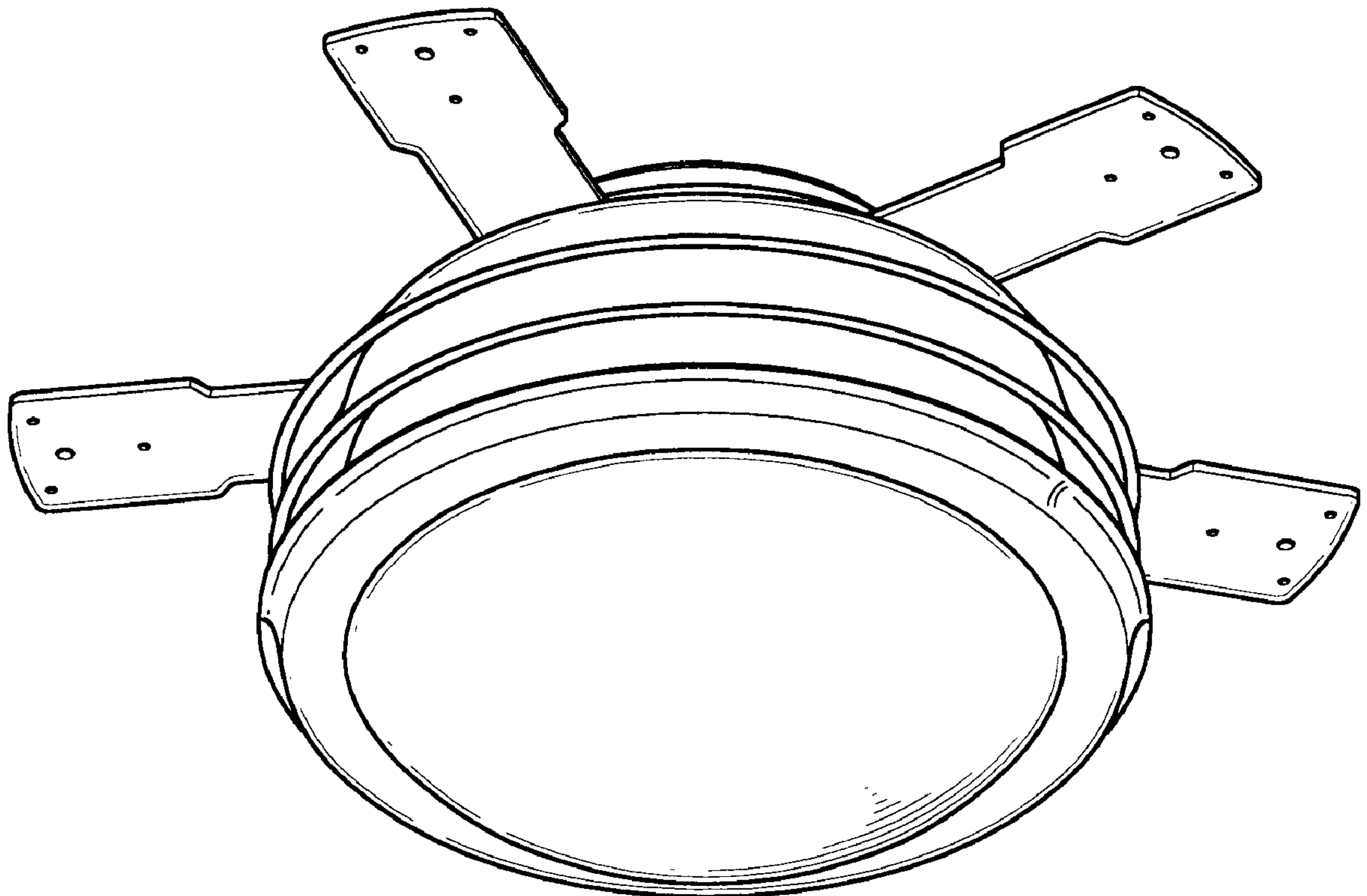
(57) **CLAIM**

The ornamental design for a combined ceiling fan motor housing and bracket unit, as shown and described.

DESCRIPTION

FIG. 1 is a perspective view of a combined ceiling fan motor housing and bracket unit showing my new design; FIG. 2 is a front elevational view thereof; FIG. 3 is a rear elevational view thereof; FIG. 4 is a left side elevational view thereof; FIG. 5 is a right side elevational view thereof; FIG. 6 is a top plan view thereof; FIG. 7 is a bottom plan view thereof; and, FIG. 8 is a perspective view of a combined ceiling fan motor housing and bracket unit on a reduced scale, the broken lines shown are for illustrative purposes only and form no part of the claimed design.

1 Claim, 8 Drawing Sheets



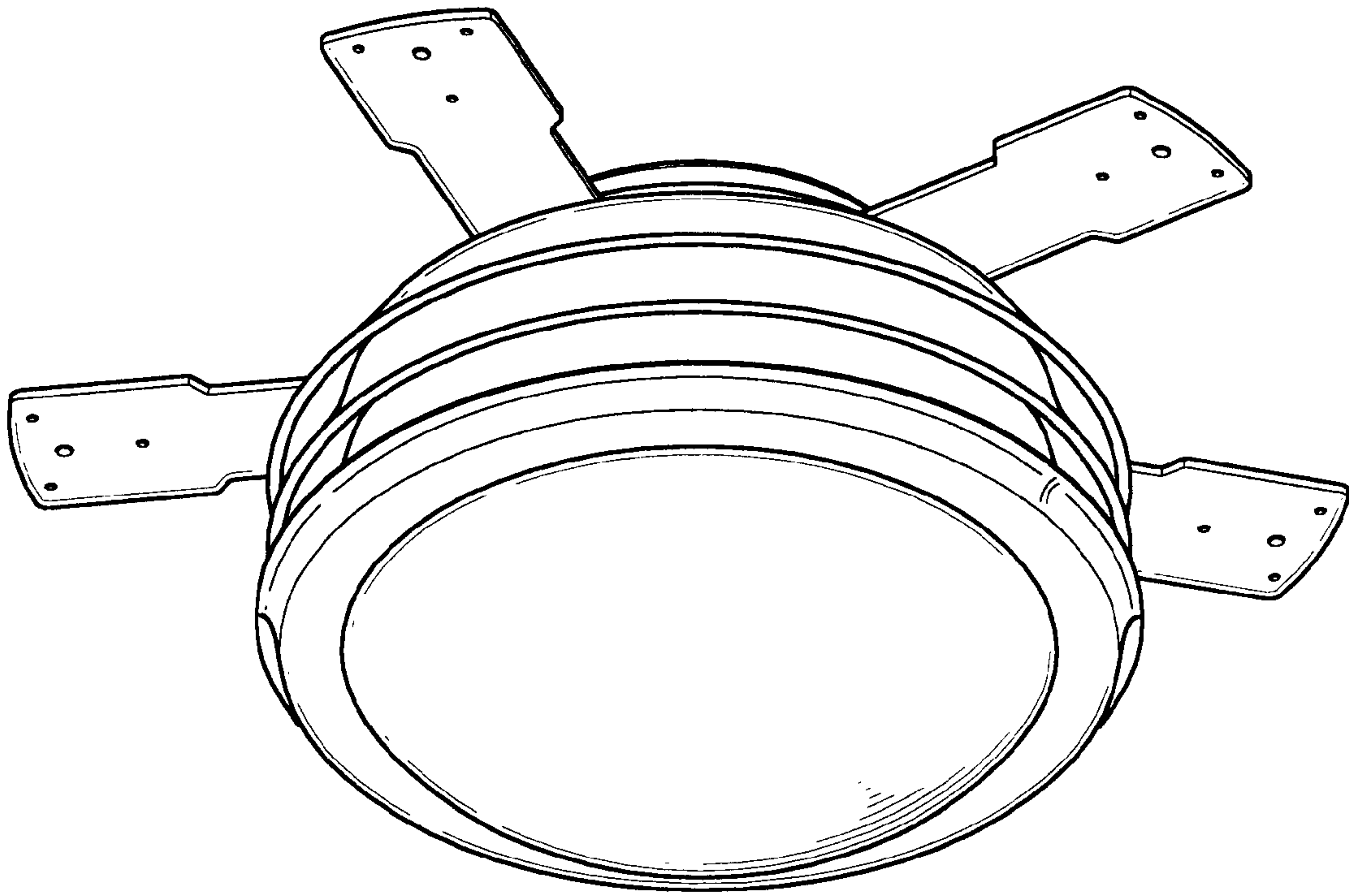
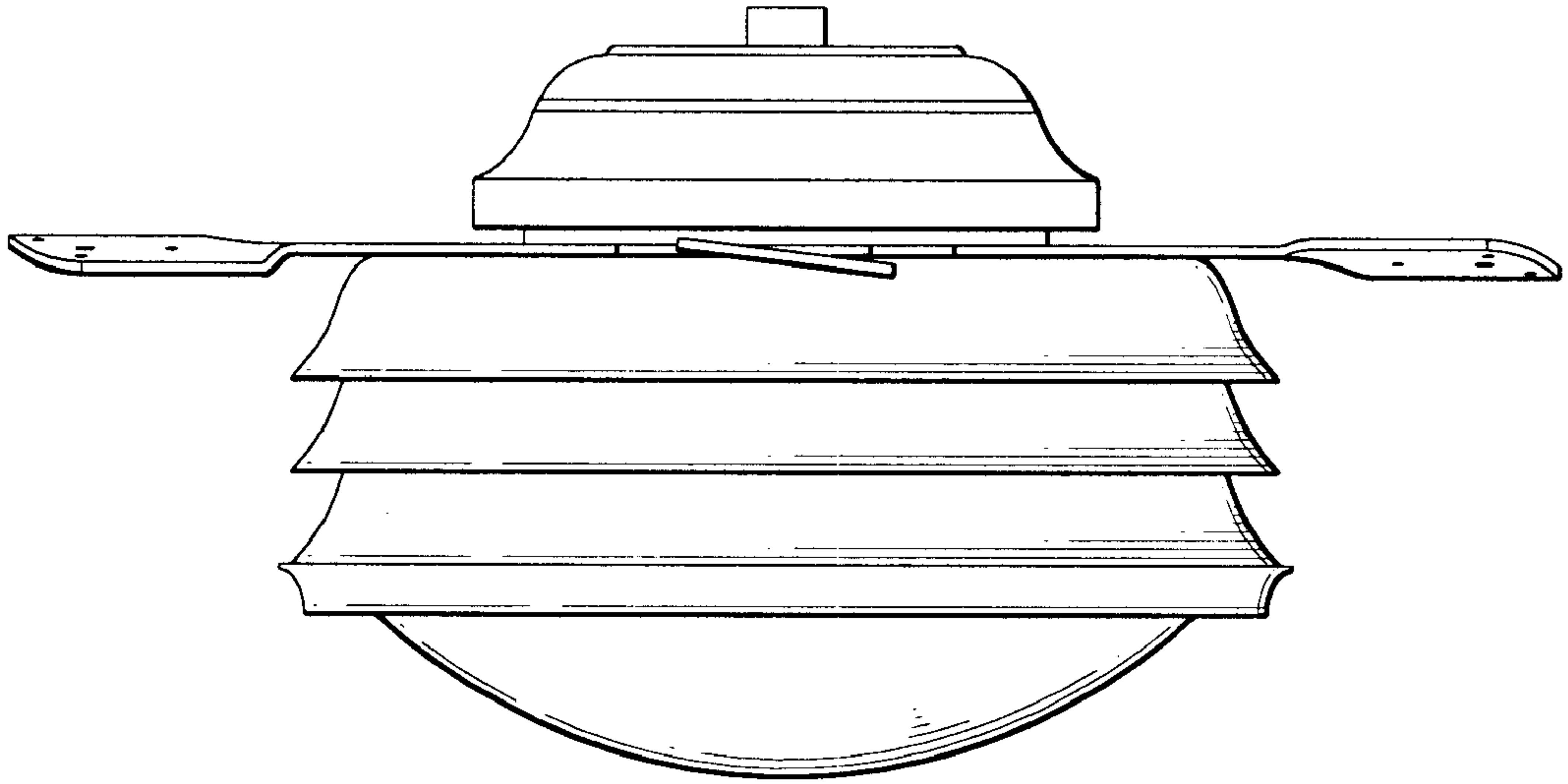


FIG. 1



F I G. 2

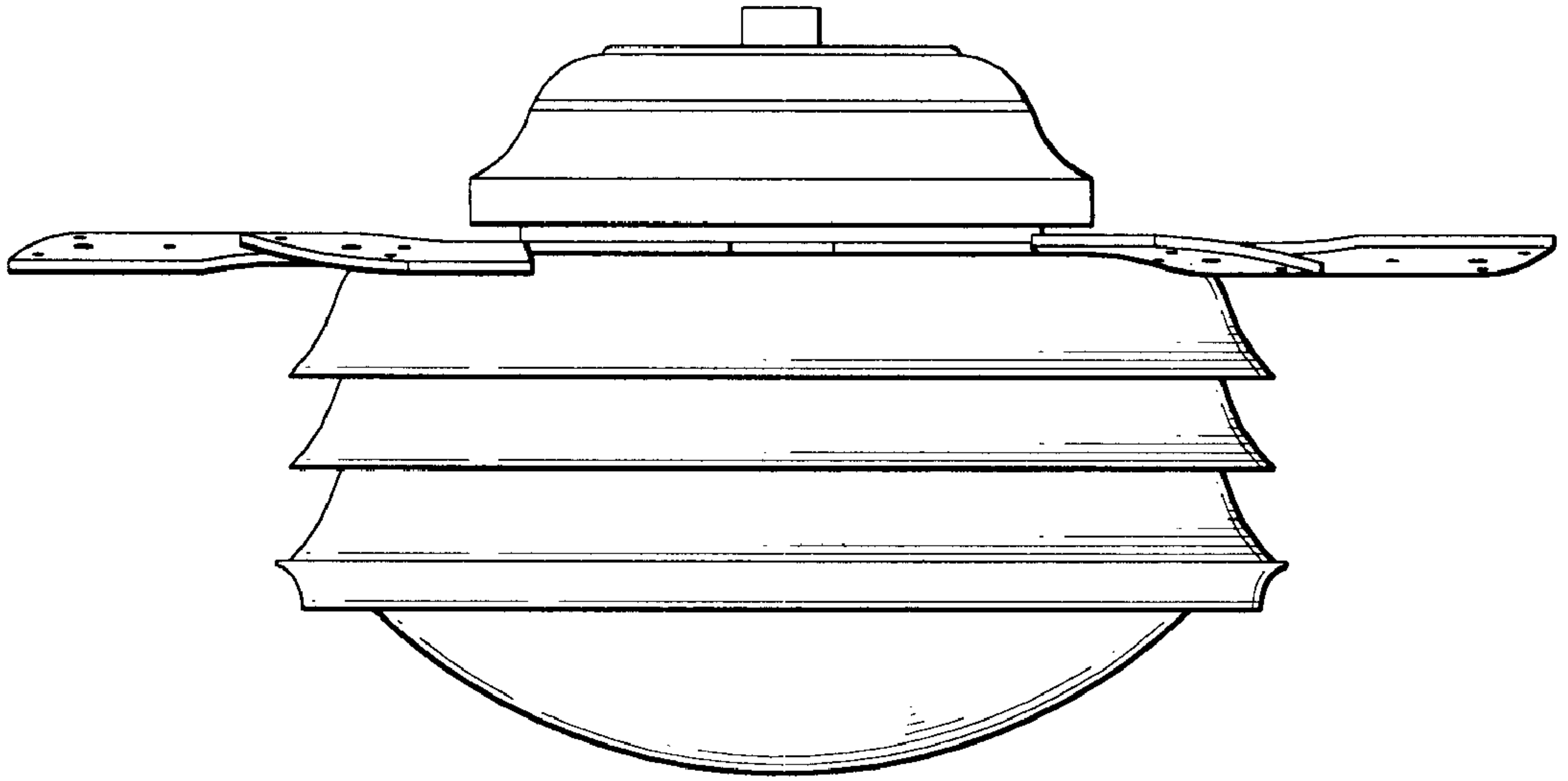


FIG. 3

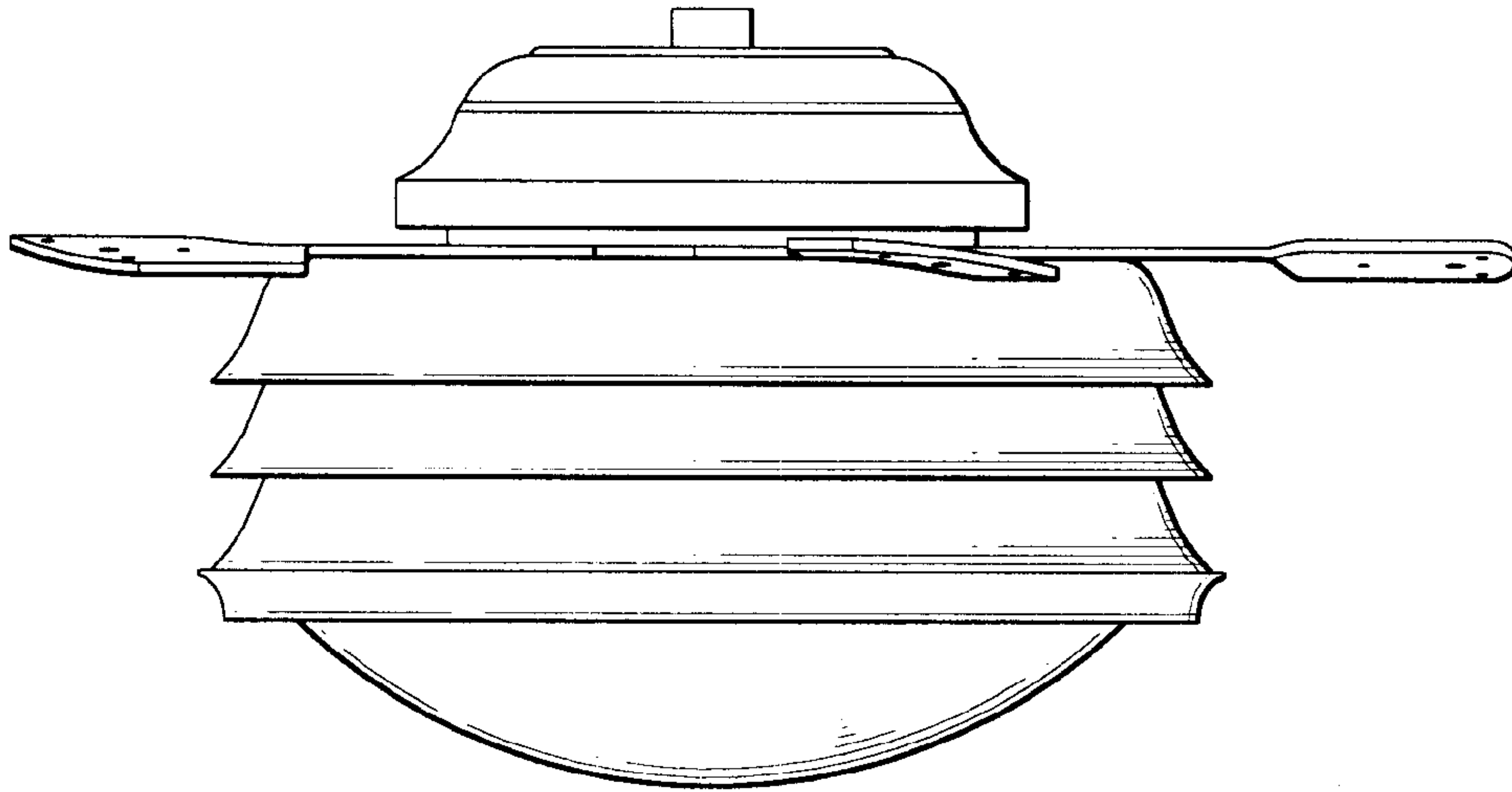


FIG. 4

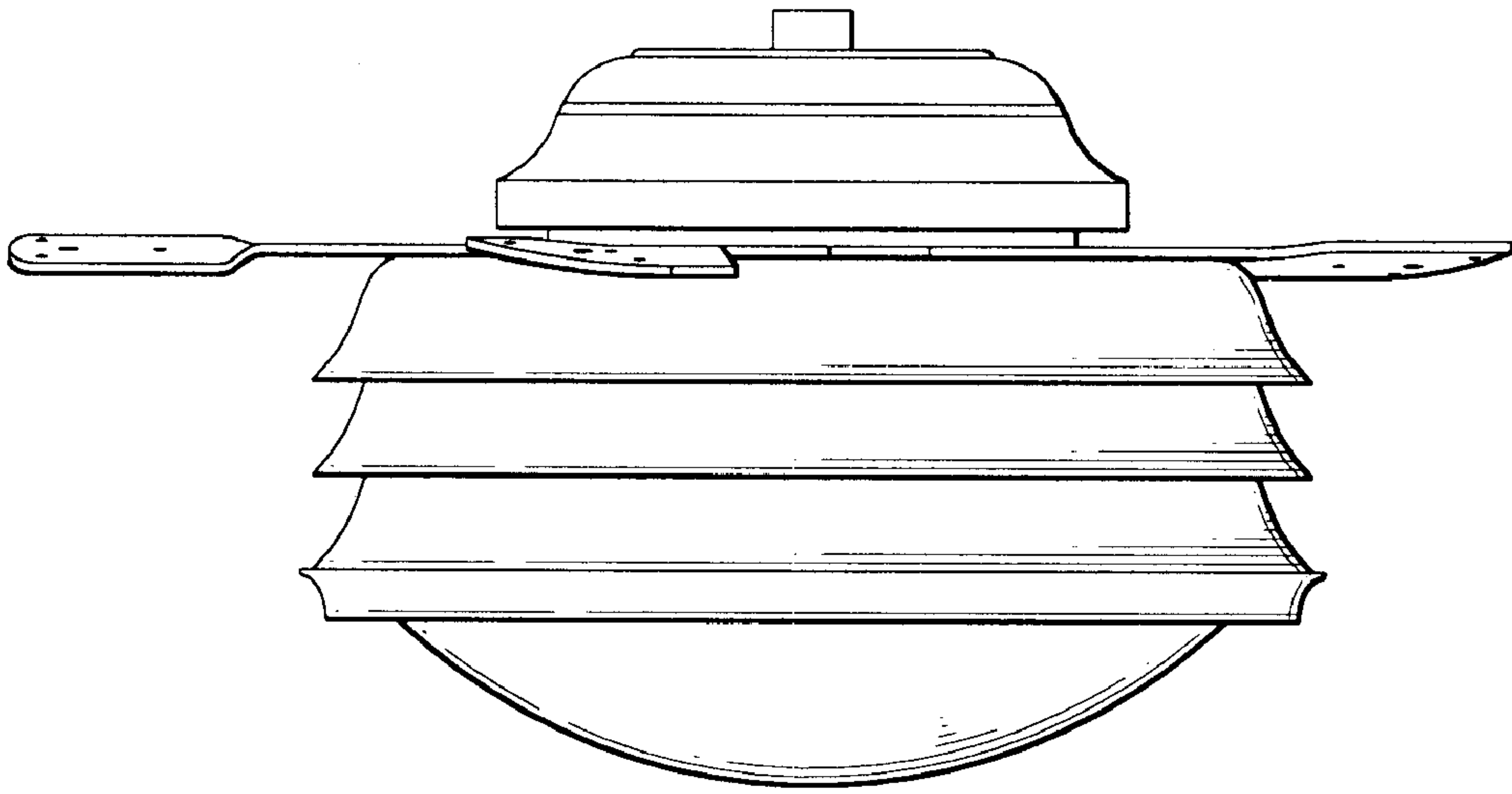
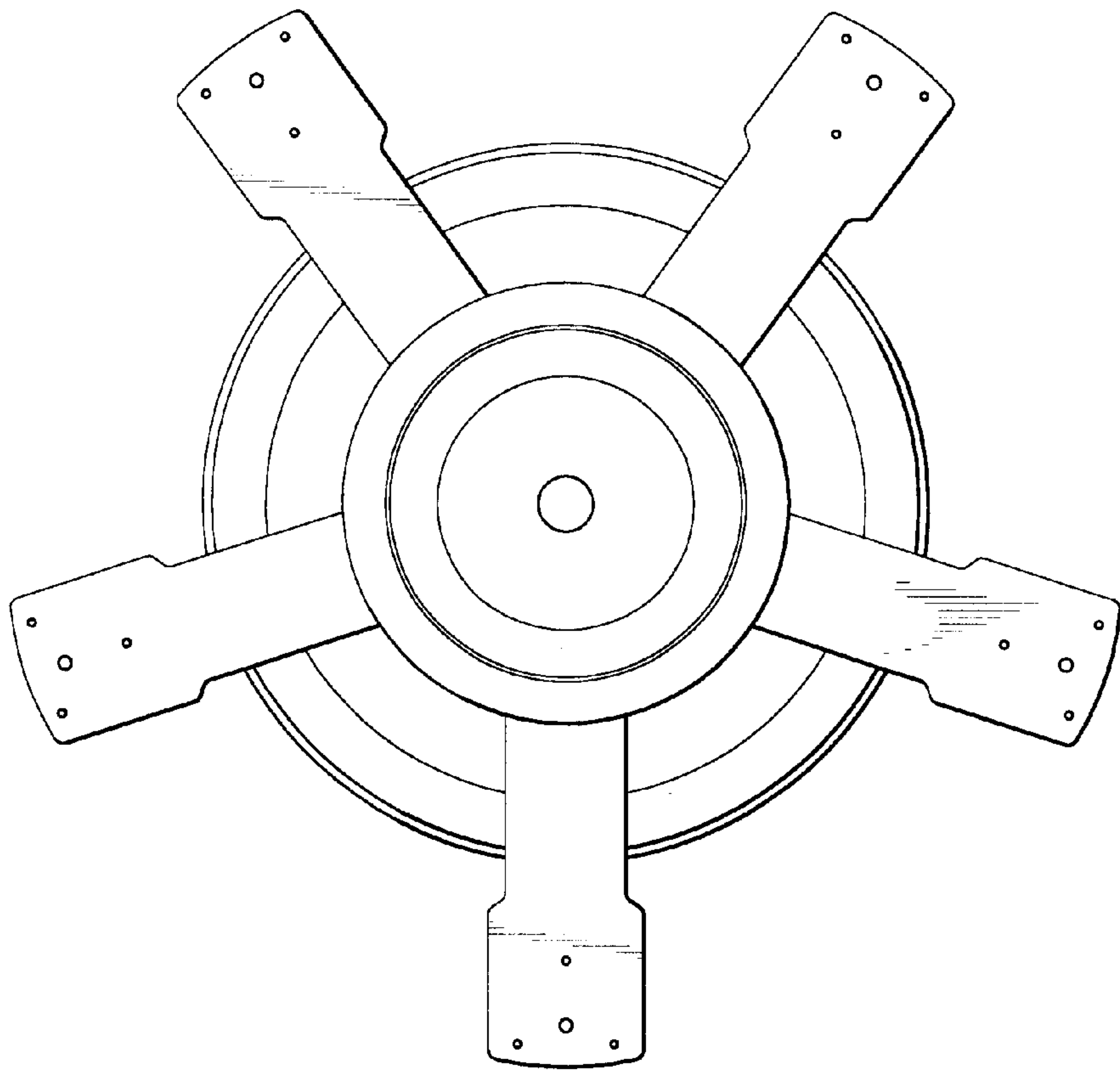


FIG. 5



F I G. 6

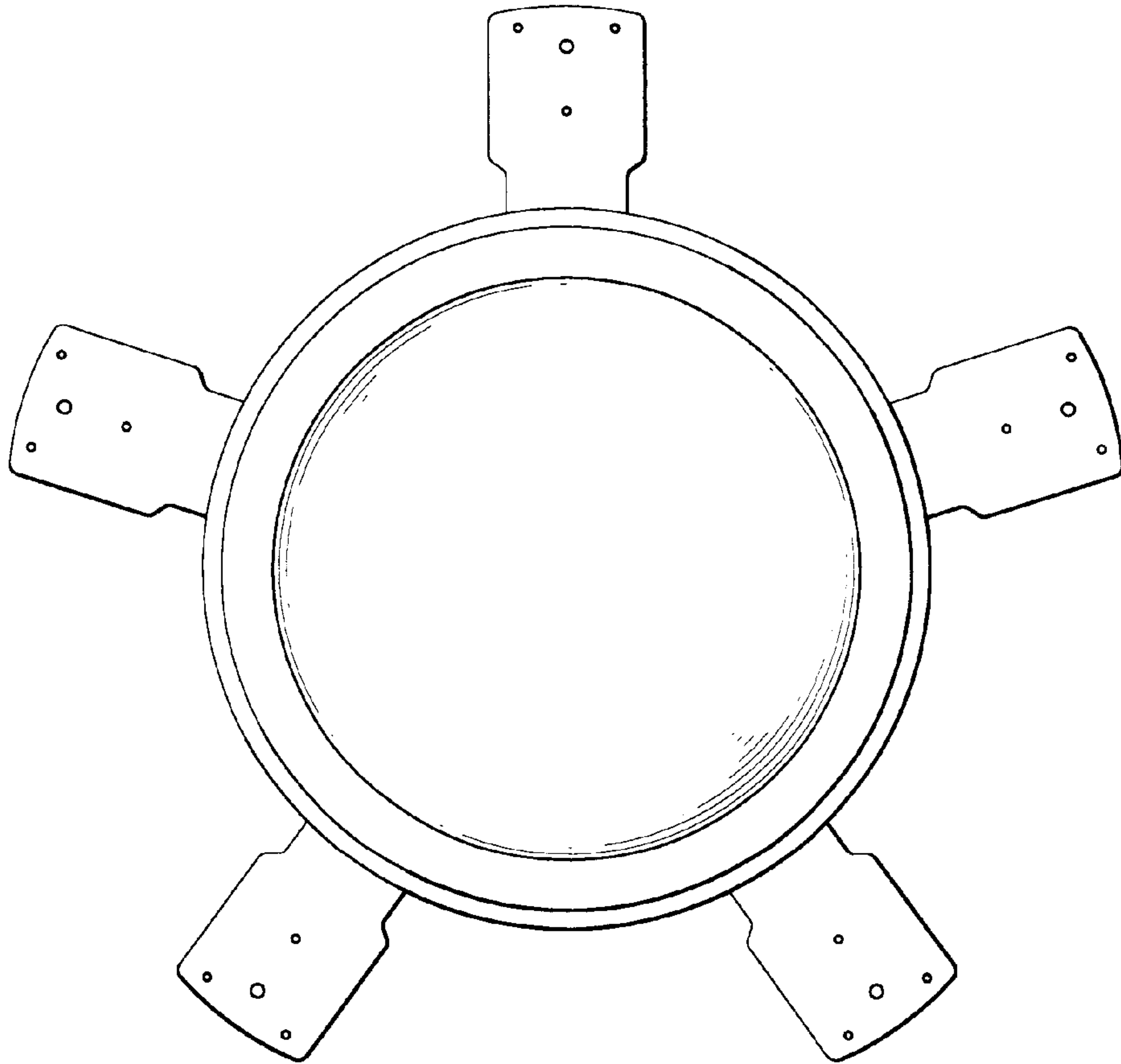
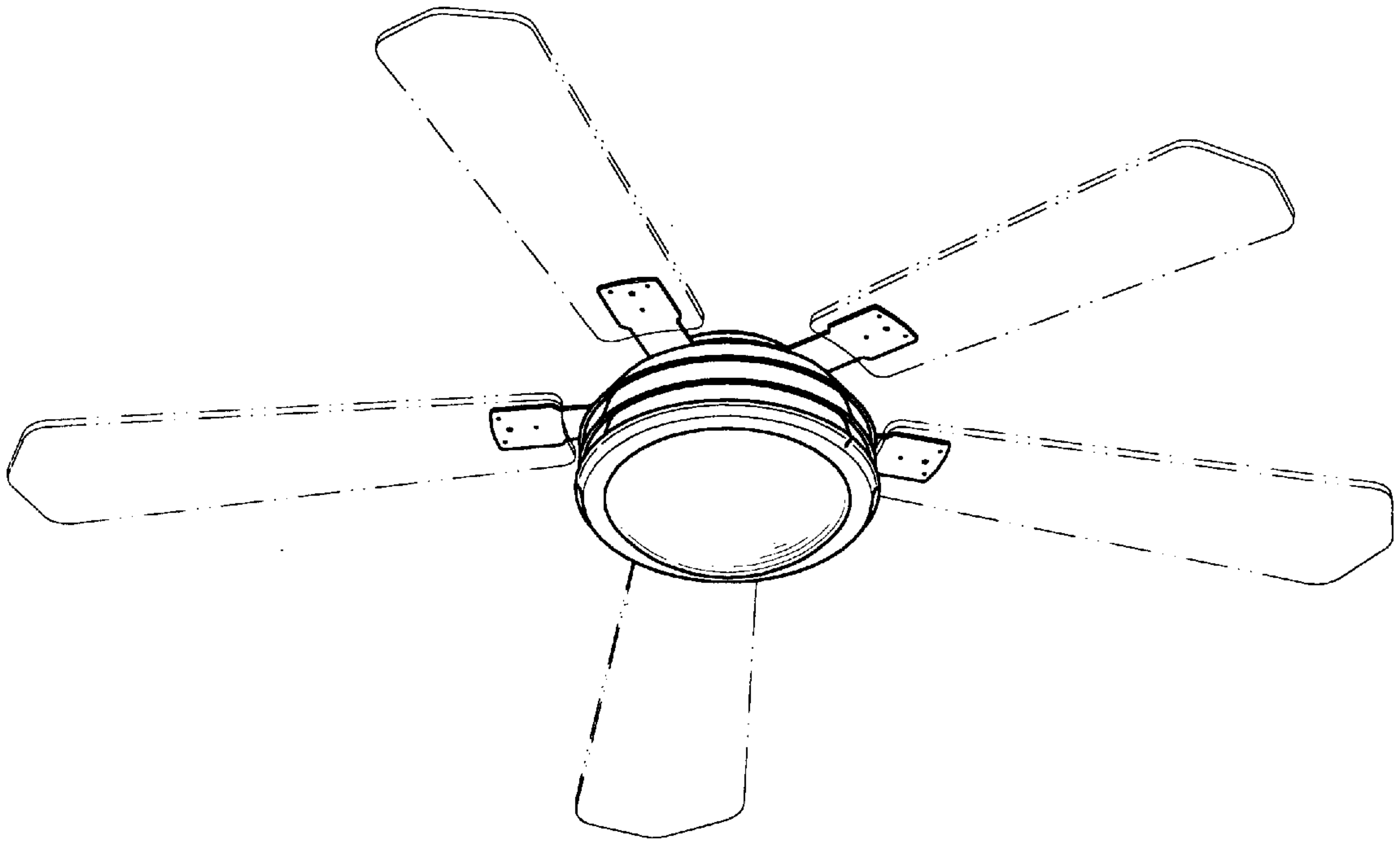


FIG. 7



F I G. 8