



US00D462755S

(12) **United States Design Patent**  
**Basagañas Millan**

(10) **Patent No.:** **US D462,755 S**

(45) **Date of Patent:** **\*\* Sep. 10, 2002**

(54) **ELECTRICAL AIR FRESHENER**

D432,222 S \* 10/2000 Rymer et al. .... D23/366  
D433,744 S \* 11/2000 Basaganas ..... D23/366

(75) Inventor: **Jordi Basagañas Millan**, Cerdanyola del Vallés (ES)

\* cited by examiner

(73) Assignee: **DBK Espana, S.A.**, Barcelona (ES)

*Primary Examiner*—Lisa Lichtenstein

(\*\*) Term: **14 Years**

(74) *Attorney, Agent, or Firm*—Baker Botts L.L.P.

(21) Appl. No.: **29/152,262**

(57) **CLAIM**

(22) Filed: **Dec. 17, 2001**

The ornamental design of the electrical air freshener, as shown and described.

(30) **Foreign Application Priority Data**

**DESCRIPTION**

Jun. 19, 2001 (ES) ..... 151642

(51) **LOC (7) Cl.** ..... **23-04**

(52) **U.S. Cl.** ..... **D23/366**

(58) **Field of Search** ..... D23/366-369,  
D23/355, 356-363; 422/305, 125; 239/136,  
135; 392/395, 392, 403, 405

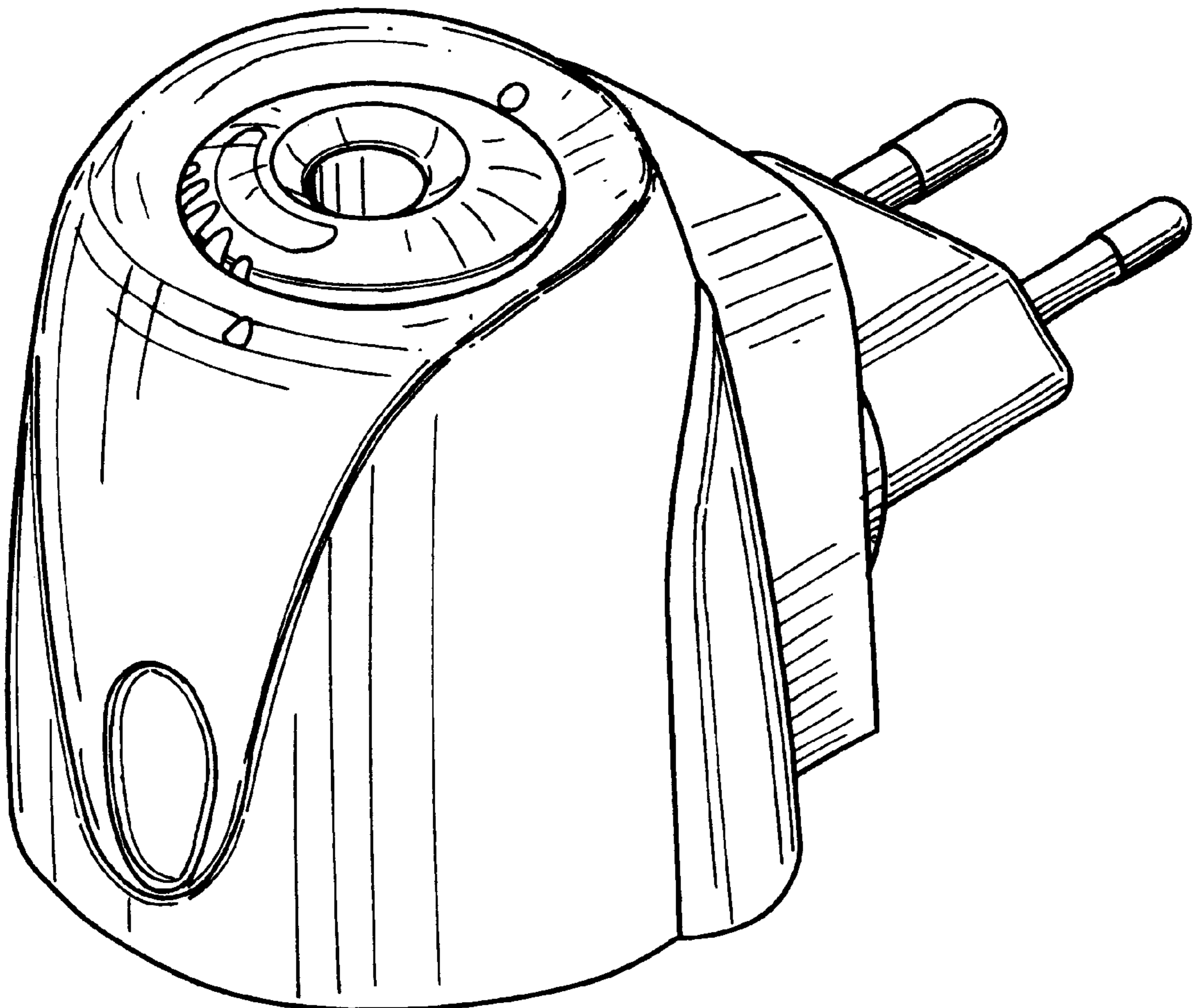
FIG. 1 is a perspective view of the electrical air freshener;  
FIG. 2 is a left side view of the electrical air freshener;  
FIG. 3 is a front view of the electrical air freshener;  
FIG. 4 is a top view of the electrical air freshener; and,  
FIG. 5 is a right side view of the electrical air freshener.

(56) **References Cited**

**U.S. PATENT DOCUMENTS**

D307,180 S \* 4/1990 Luthy ..... D23/366

**1 Claim, 5 Drawing Sheets**



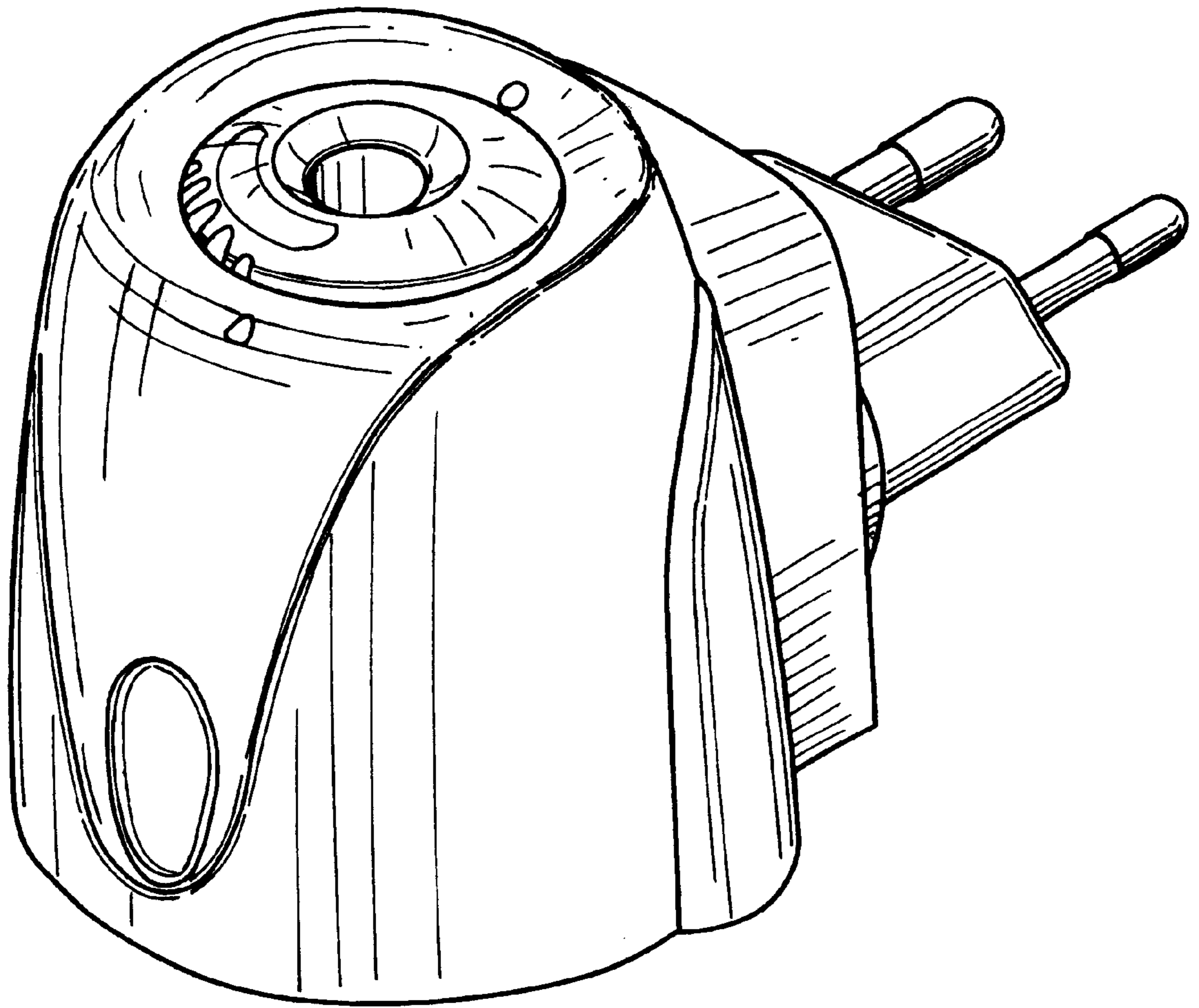


FIG. 1

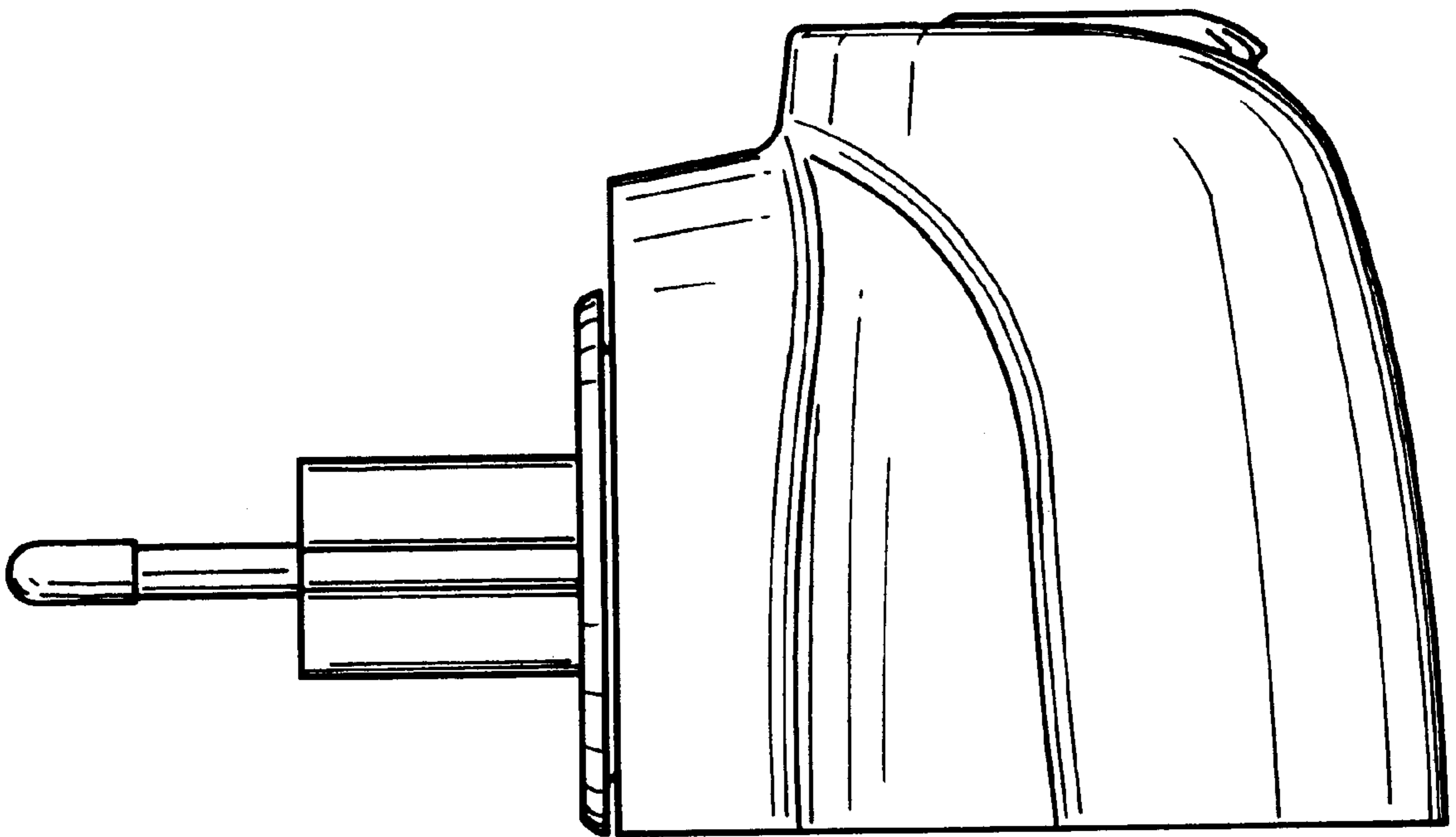
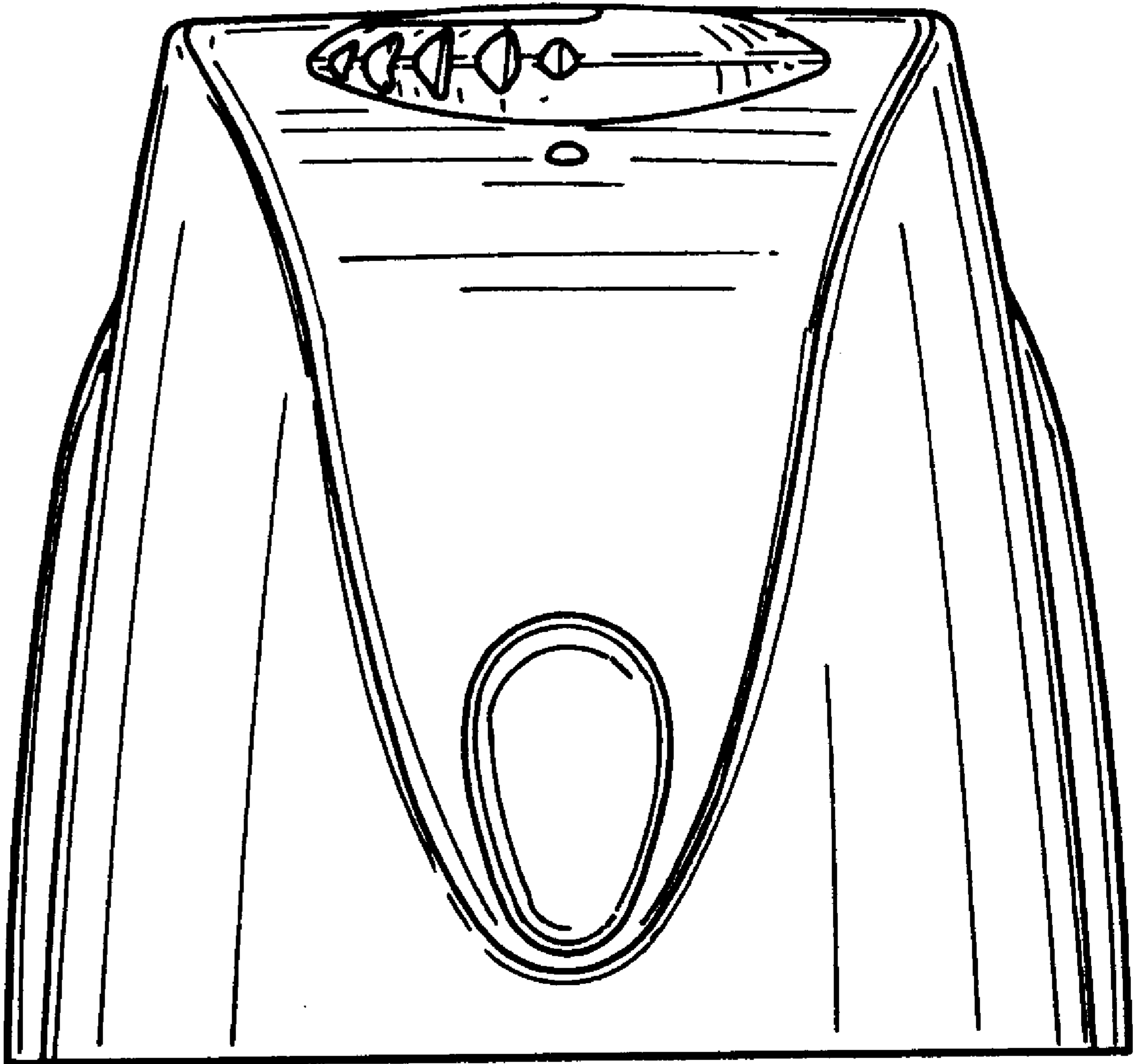


FIG.2



**FIG.3**

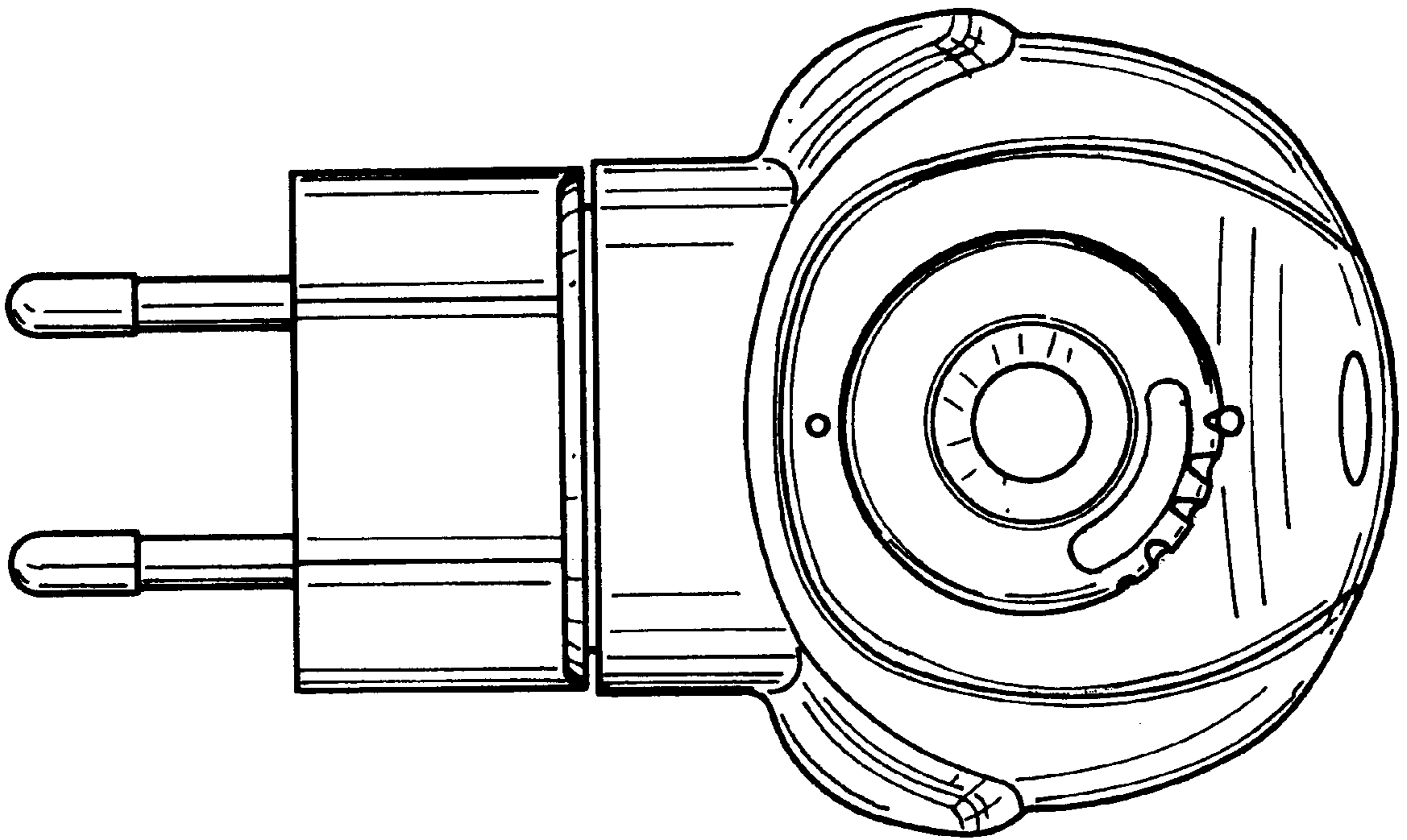


FIG.4

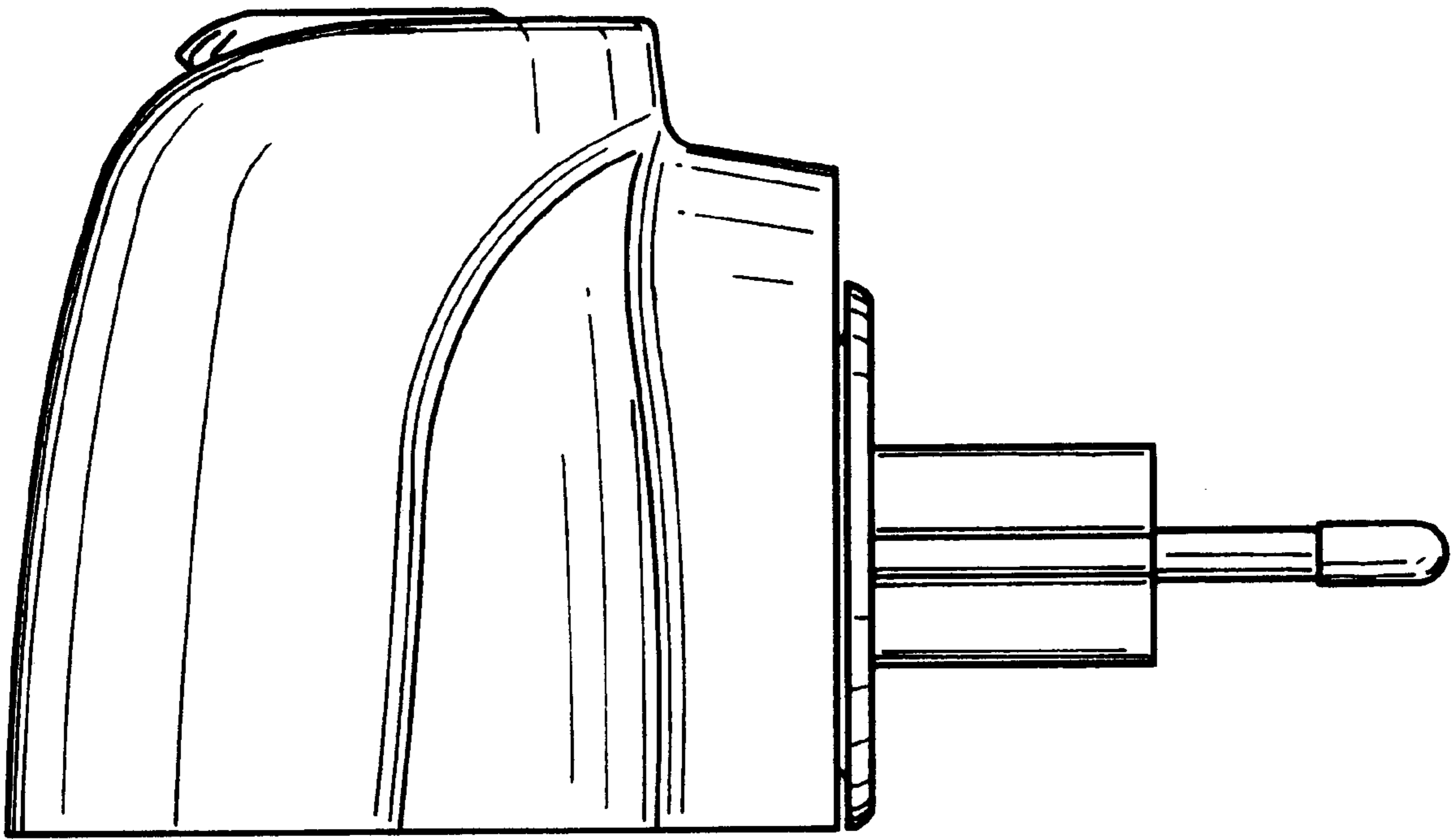


FIG.5



UNITED STATES PATENT AND TRADEMARK OFFICE  
**CERTIFICATE OF CORRECTION**

PATENT NO. : Des. 462,755 S  
DATED : September 10, 2002  
INVENTOR(S) : Millán

Page 1 of 1

It is certified that error appears in the above-identified patent and that said Letters Patent is hereby corrected as shown below:

Title page,


Item [75], Inventor, "**Millan**" should read -- **Millán** --

Item [73], Assignee, "**Espana**," should read -- **España**, --

**DESCRIPTION**, line 4, "and," should read -- and --

Signed and Sealed this

Third Day of June, 2003

A handwritten signature in black ink, appearing to read "James E. Rogan", with a horizontal line underneath it.

JAMES E. ROGAN  
*Director of the United States Patent and Trademark Office*