



US00D462753S

(12) **United States Design Patent**  
**Gao**

(10) **Patent No.:** **US D462,753 S**

(45) **Date of Patent:** **\*\* Sep. 10, 2002**

(54) **FAN HEATER**

(76) Inventor: **Tianyu Gao**, Jinke Building, No. 8  
Qiongyu Road, Science & Technology  
Park, Nanshan District, Shenzhen,  
Guangdong Province (CN)

(\*\*) Term: **14 Years**

(21) Appl. No.: **29/152,189**

(22) Filed: **Dec. 11, 2001**

(51) **LOC (7) Cl.** ..... **23-03**

(52) **U.S. Cl.** ..... **D23/335**

(58) **Field of Search** ..... D23/314, 328,  
D23/332, 335-341; 126/90 A, 92 A, 92 B,  
67; 312/236; 392/365-9, 373-6

(56) **References Cited**

**U.S. PATENT DOCUMENTS**

D353,885 S \* 12/1994 Hydak et al. .... D23/332  
D395,490 S \* 6/1998 Jané et al. .... D23/337

D402,742 S \* 12/1998 Chen ..... D23/335  
D448,071 S \* 9/2001 Birdsell et al. .... D23/335

\* cited by examiner

*Primary Examiner*—B. J. Bullock

(74) *Attorney, Agent, or Firm*—Christensen O'Connor  
Johnson Kindness PLLC

(57) **CLAIM**

The ornamental design for a fan heater, as shown and  
described.

**DESCRIPTION**

FIG. 1 is a front view of a fan heater showing my new  
design;

FIG. 2 is a rear view thereof;

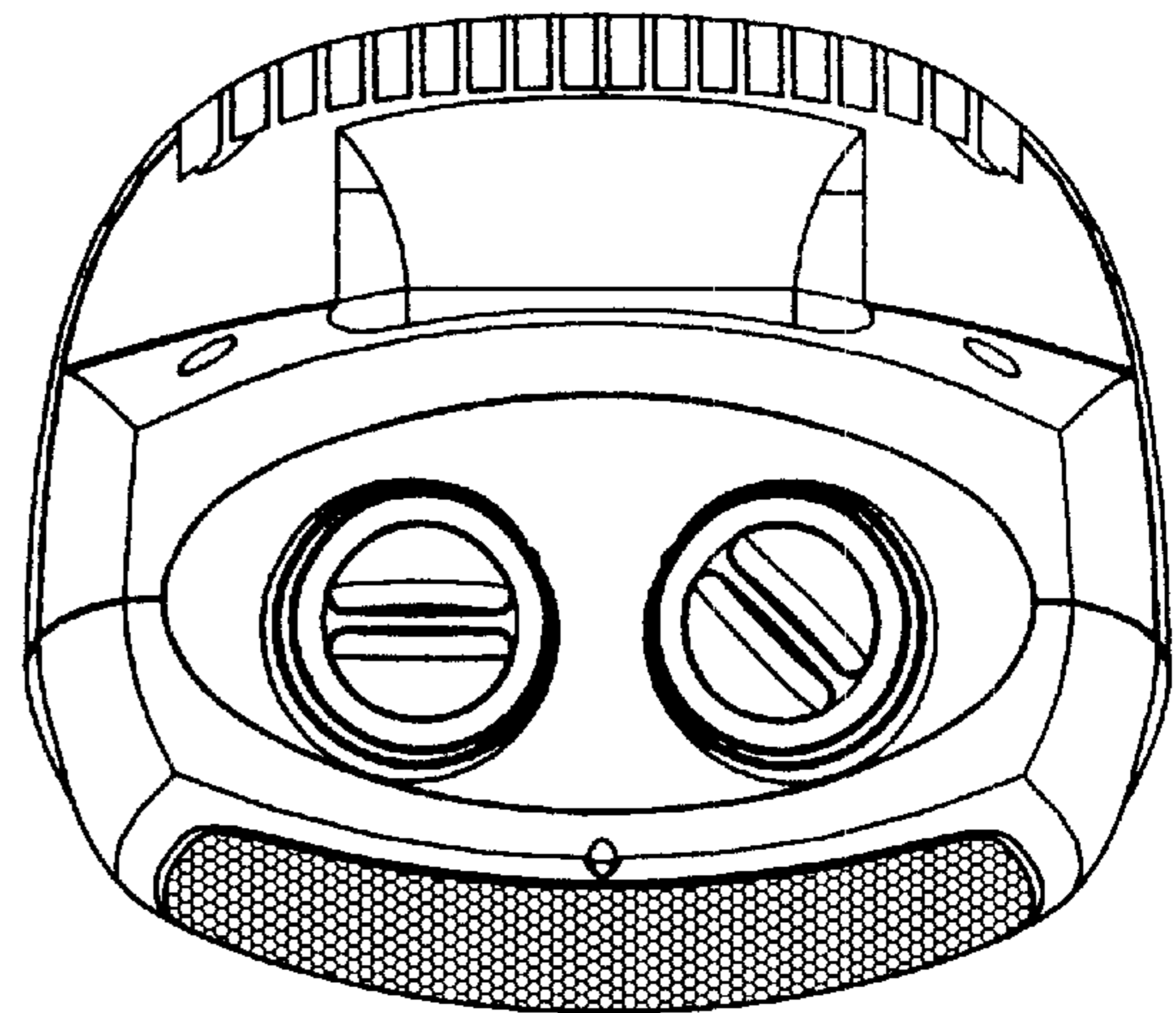
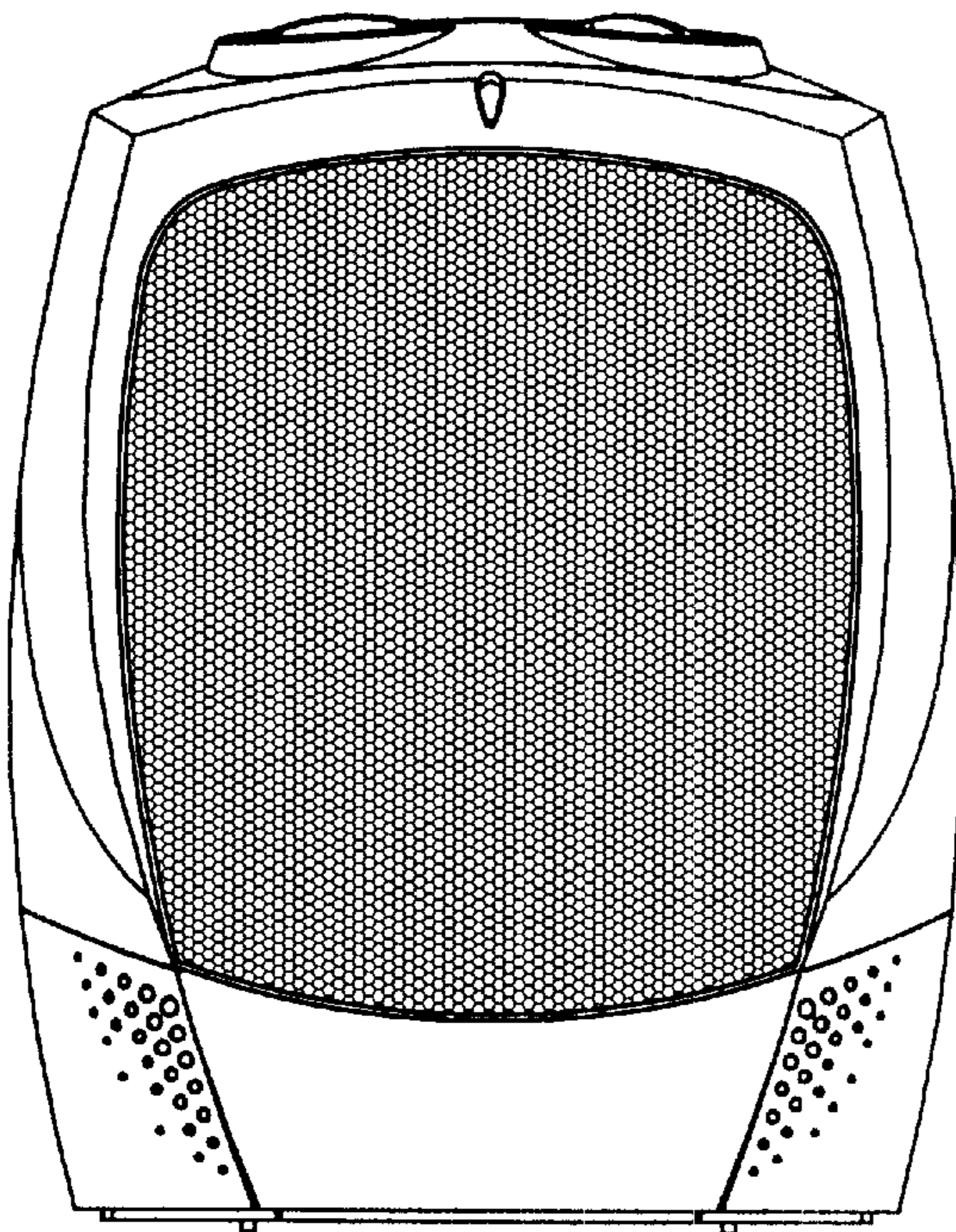
FIG. 3 is a top plan view thereof;

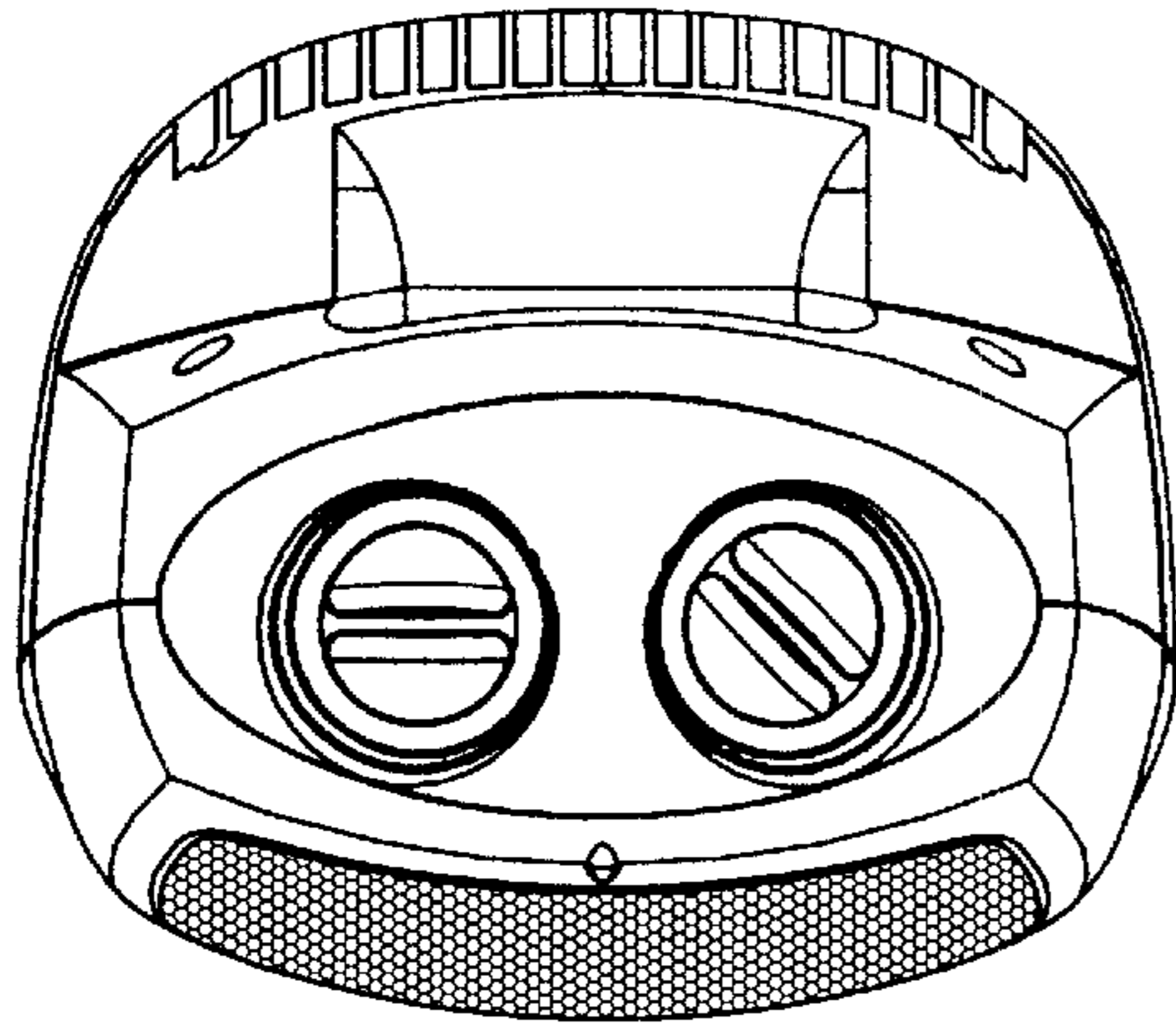
FIG. 4 is a bottom view thereof;

FIG. 5 is a left side view thereof; and,

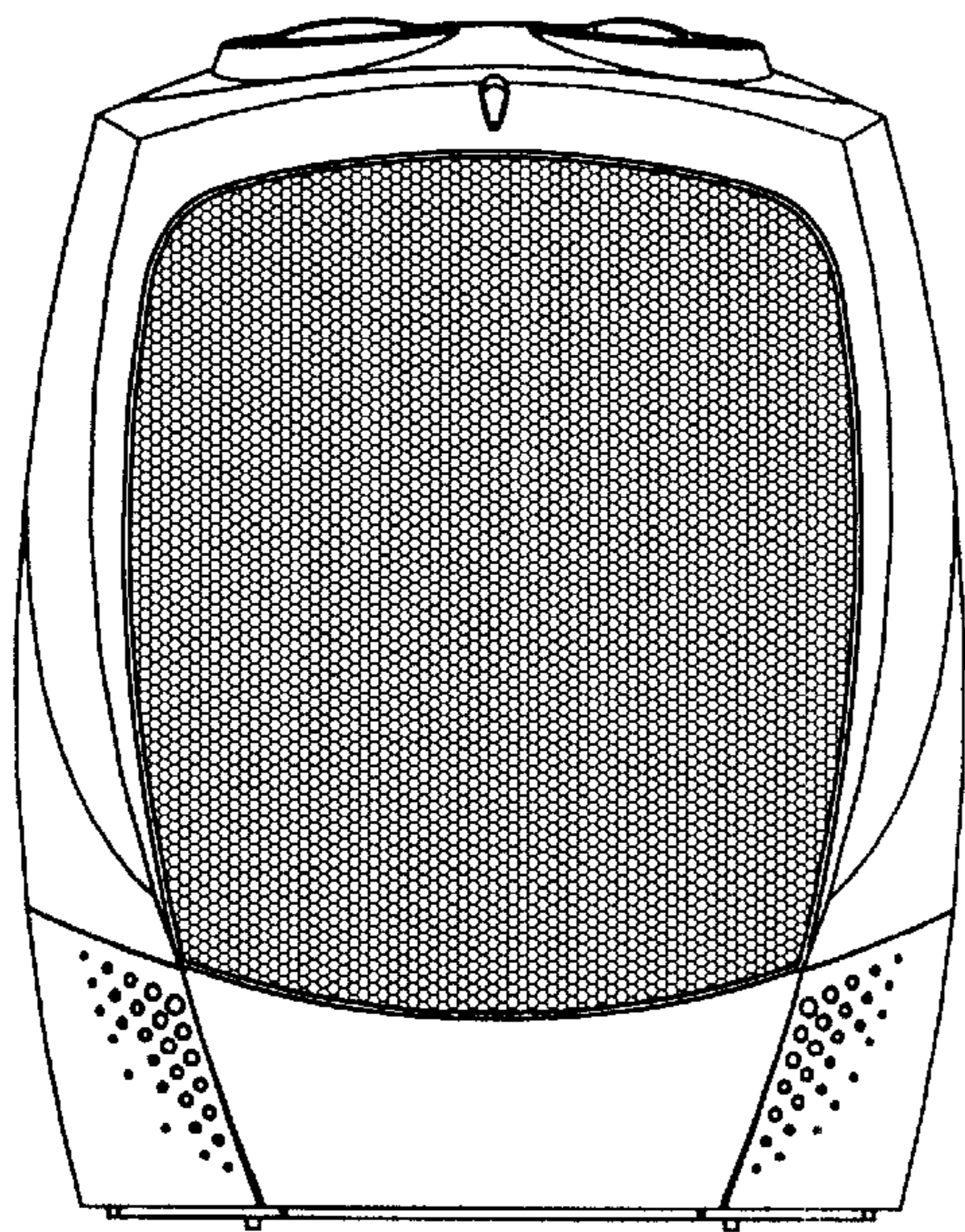
FIG. 6 is a right side view thereof.

**1 Claim, 2 Drawing Sheets**

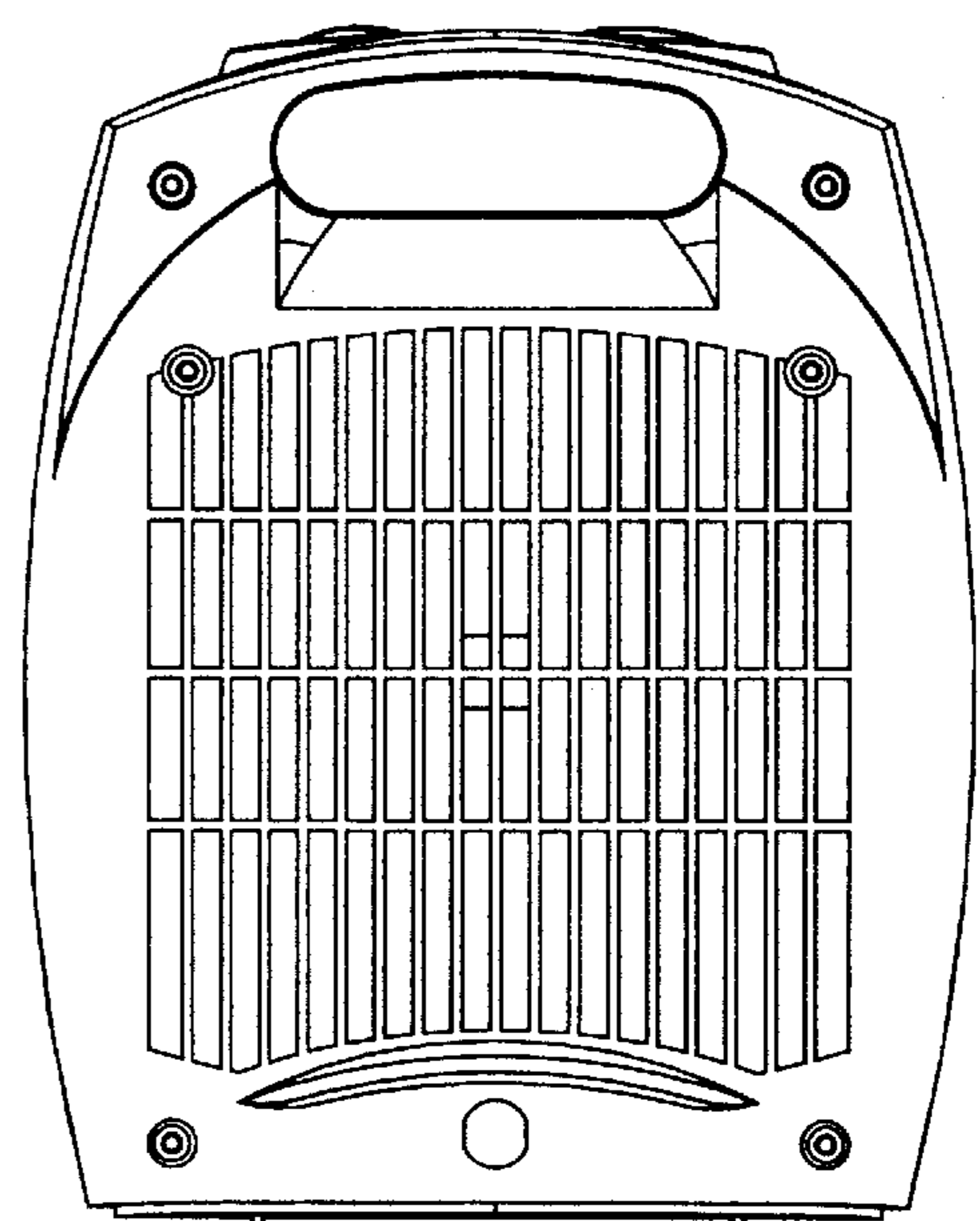




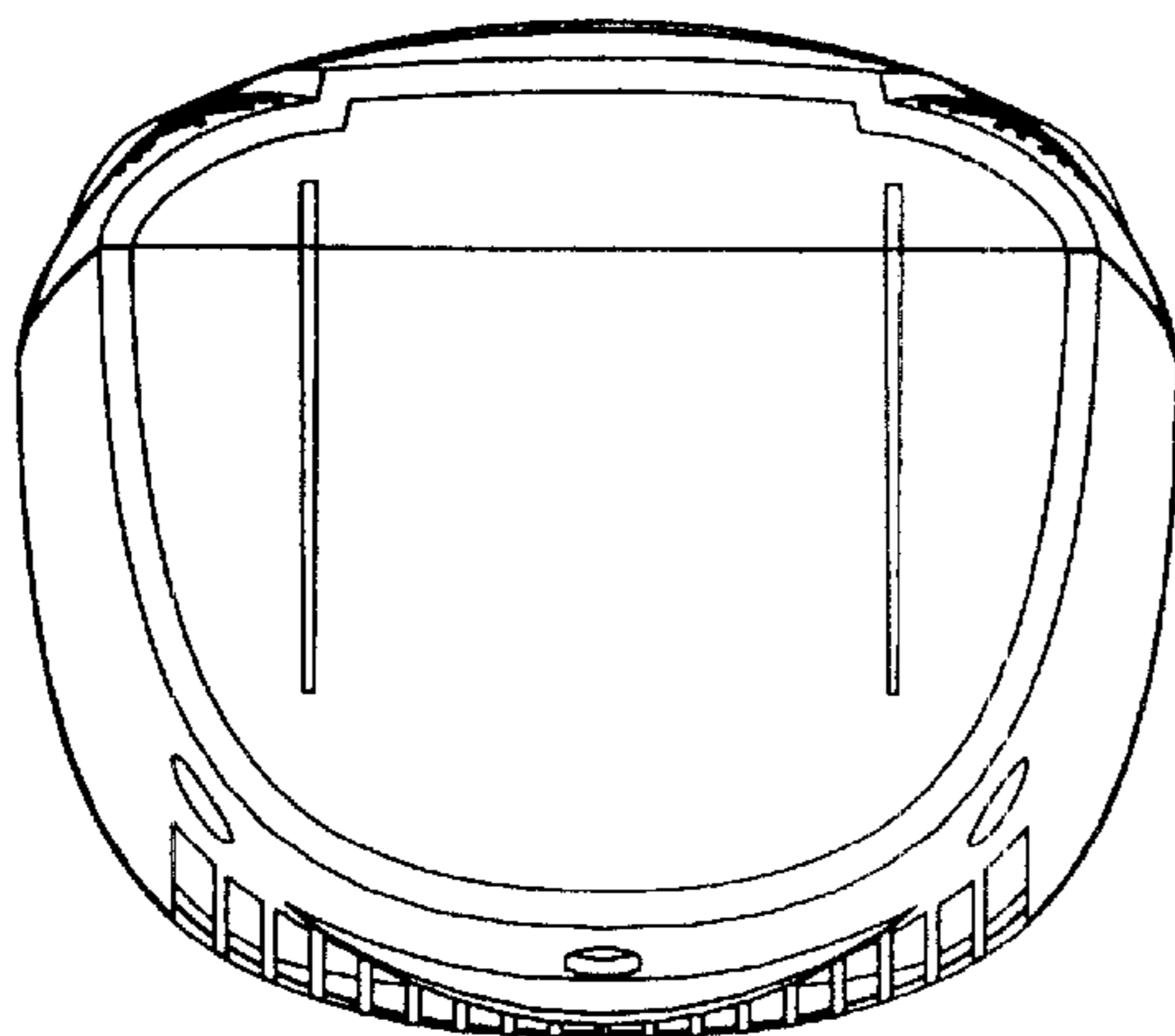
*Fig. 3.*



*Fig. 1.*

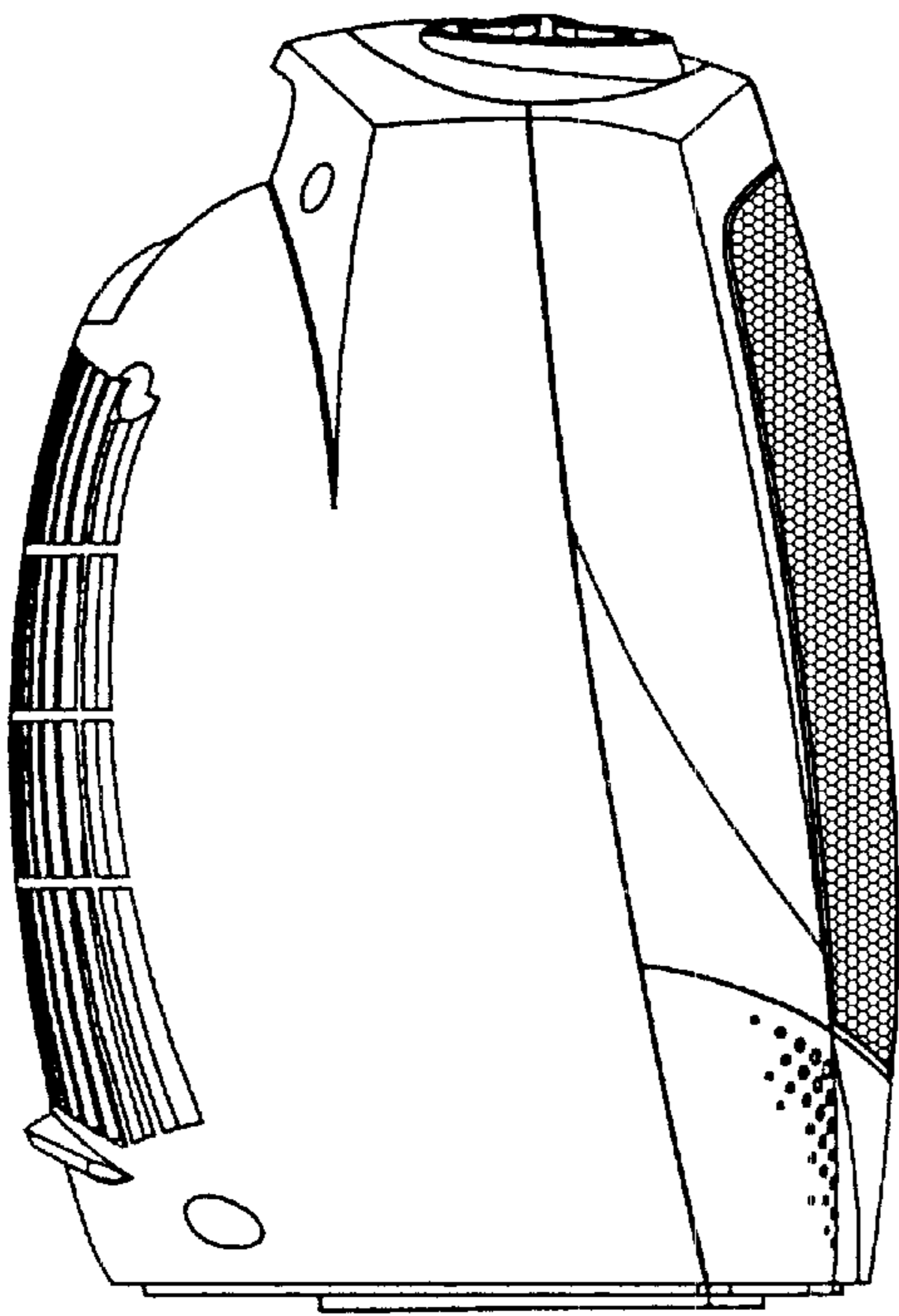


*Fig. 2.*

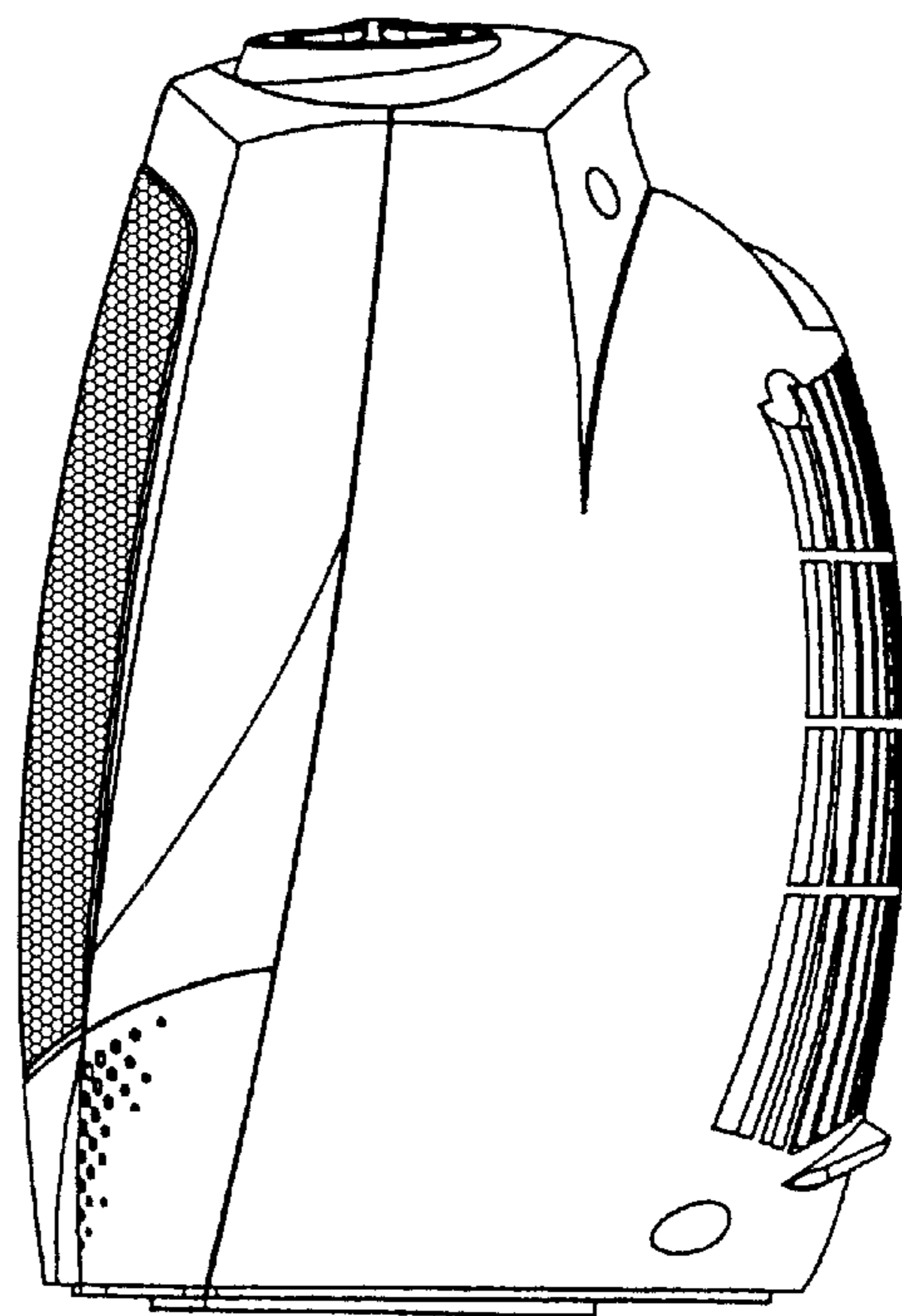


*Fig. 4.*





*Fig. 5.*



*Fig. 6.*