



US00D462751S

(12) **United States Design Patent**  
**Streetman**

(10) **Patent No.:** **US D462,751 S**

(45) **Date of Patent:** **\*\* Sep. 10, 2002**

(54) **FIRE DEPARTMENT CONNECTION**

4,602,654 A \* 7/1986 Stehling et al. .... 137/296  
5,988,219 A \* 11/1999 Larsen ..... 137/625.43

(76) Inventor: **Randy J. Streetman**, P.O. Box 413,  
Gunter, TX (US) 75058

\* cited by examiner

(\*\*) Term: **14 Years**

*Primary Examiner*—Robin V. Taylor  
(74) *Attorney, Agent, or Firm*—Dennis T. Griggs

(21) Appl. No.: **29/139,430**

(57) **CLAIM**

(22) Filed: **Mar. 30, 2001**

The ornamental design for a fire department connection, as shown and described.

(51) **LOC (7) Cl.** ..... **23-01**

(52) **U.S. Cl.** ..... **D23/262; D23/234**

(58) **Field of Search** ..... D23/233, 234,  
D23/262-3; 285/131.1, 376; 137/294, 296,  
515.5, 272, 360

**DESCRIPTION**

(56) **References Cited**

**U.S. PATENT DOCUMENTS**

D35,157 S \* 10/1901 Simmons ..... D23/234  
D44,311 S \* 7/1913 Ireland ..... D23/263  
D44,380 S \* 7/1913 Michak ..... D23/263  
3,719,202 A \* 3/1973 Fitzpatrick ..... 137/360

FIG. 1 is a front perspective view of a fire department connection showing my new design;  
FIG. 2 is a top plan view thereof, the bottom plan view being a mirror image thereof;  
FIG. 3 is a left side elevational view thereof, the right side elevational view being a mirror image thereof; and,  
FIG. 4 is a rear elevational view thereof.

**1 Claim, 2 Drawing Sheets**

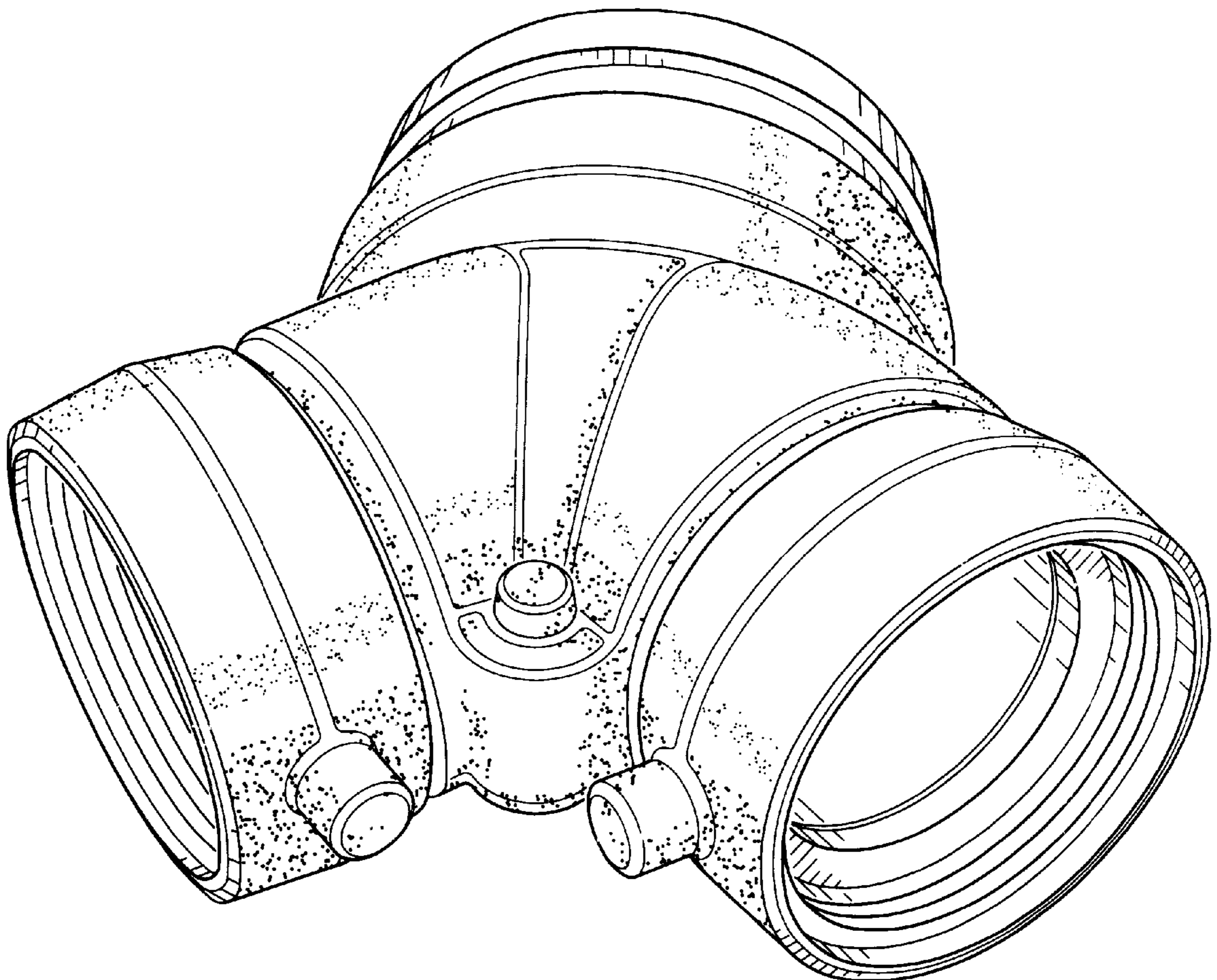


FIG. 1

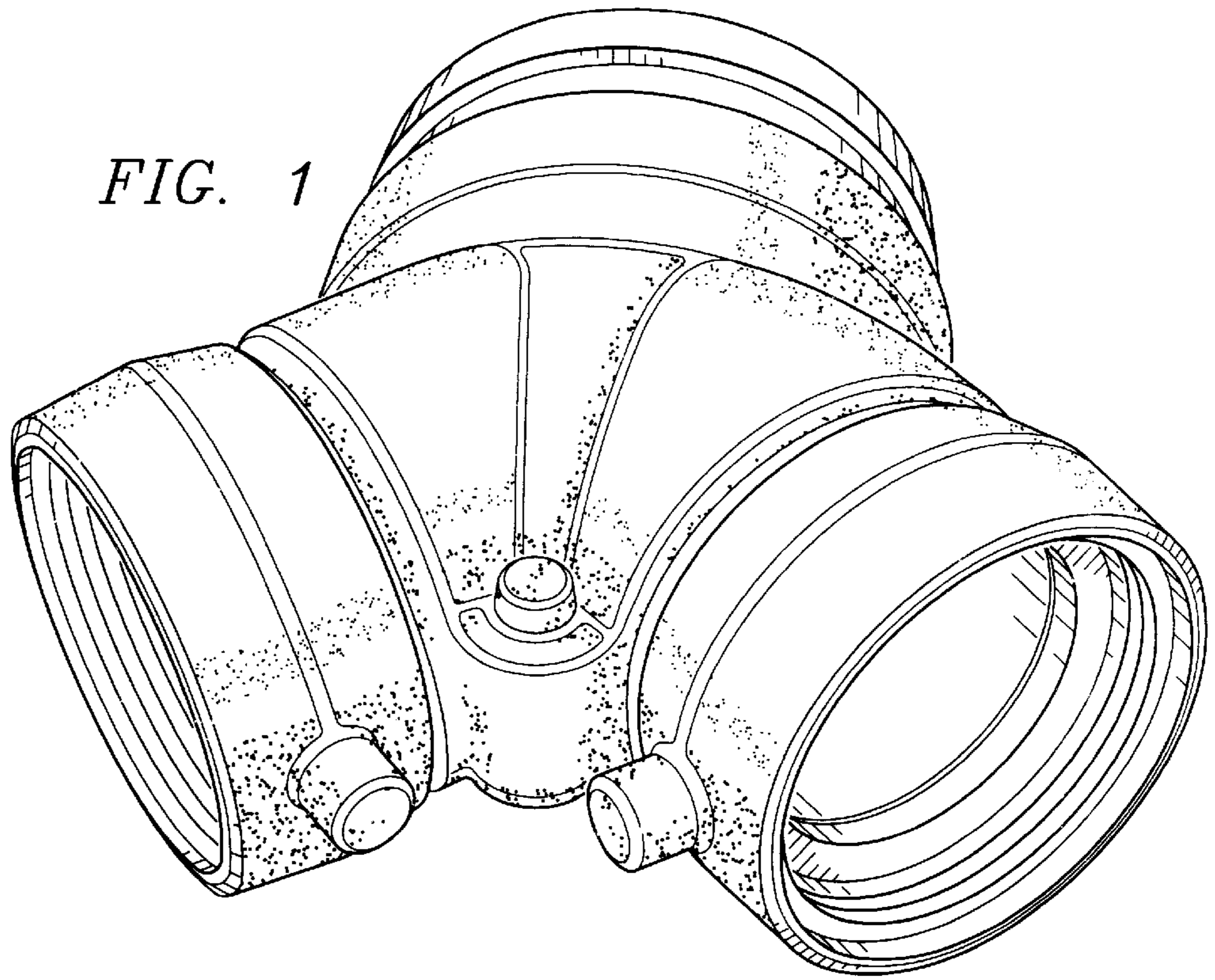
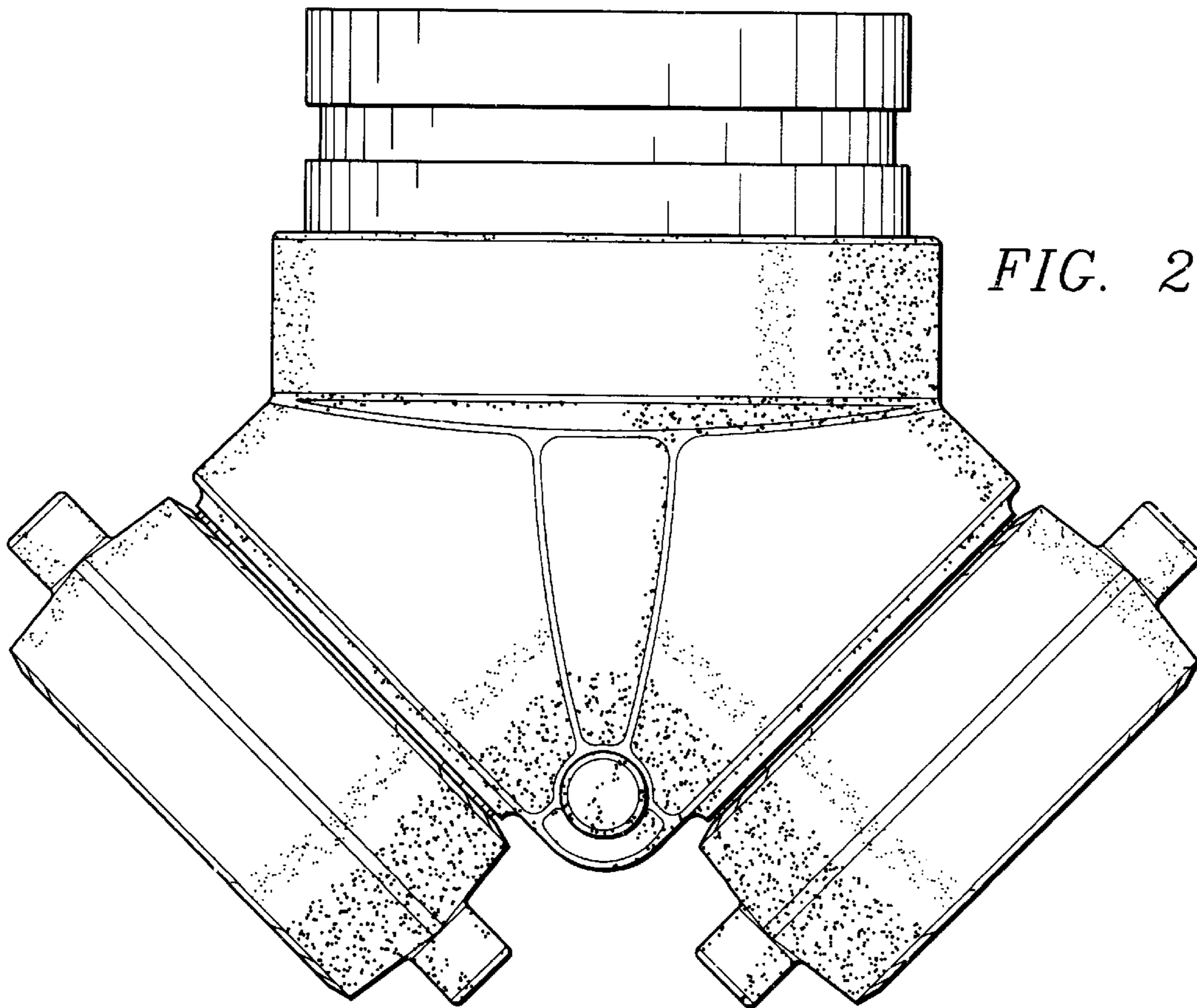


FIG. 2





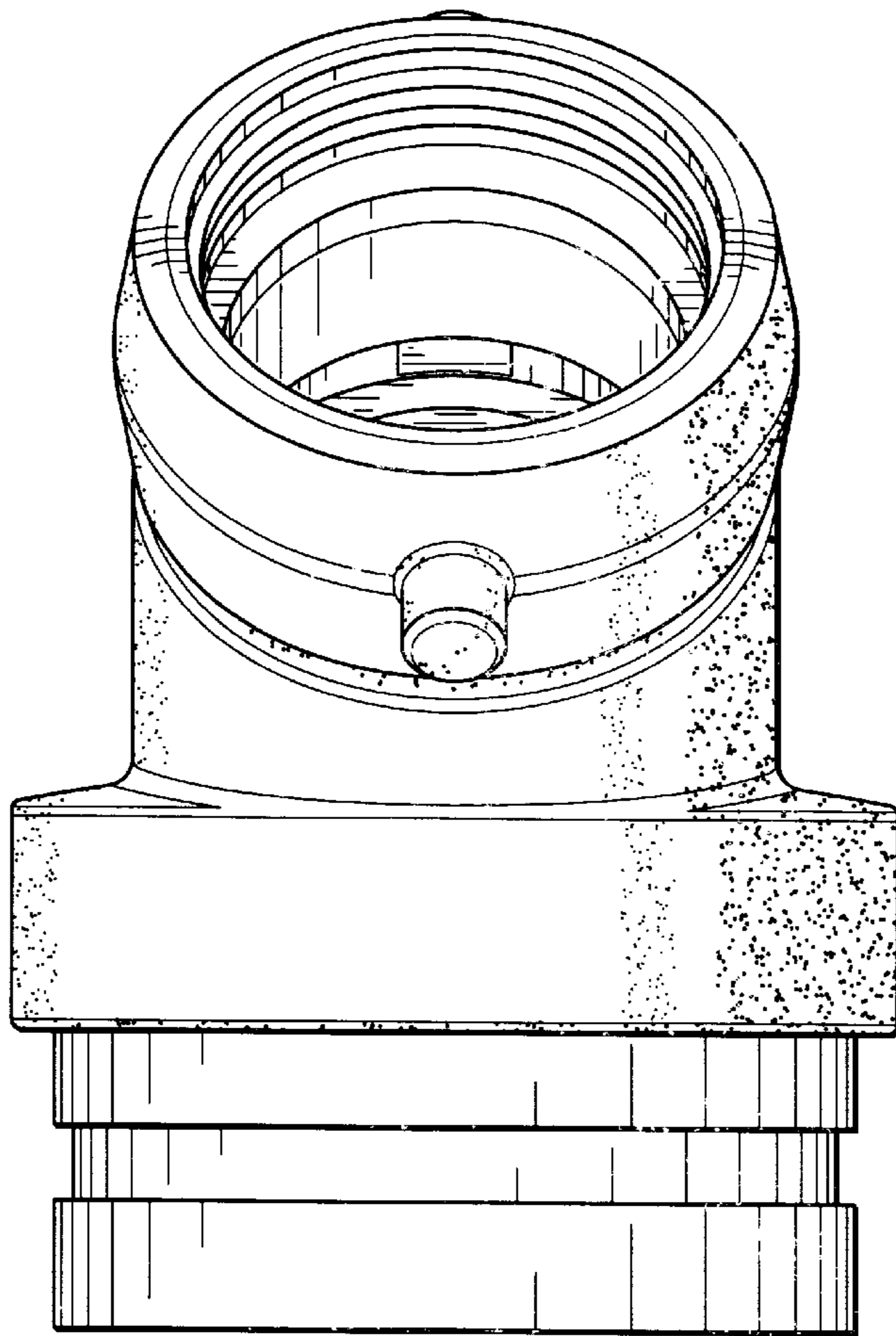


FIG. 3

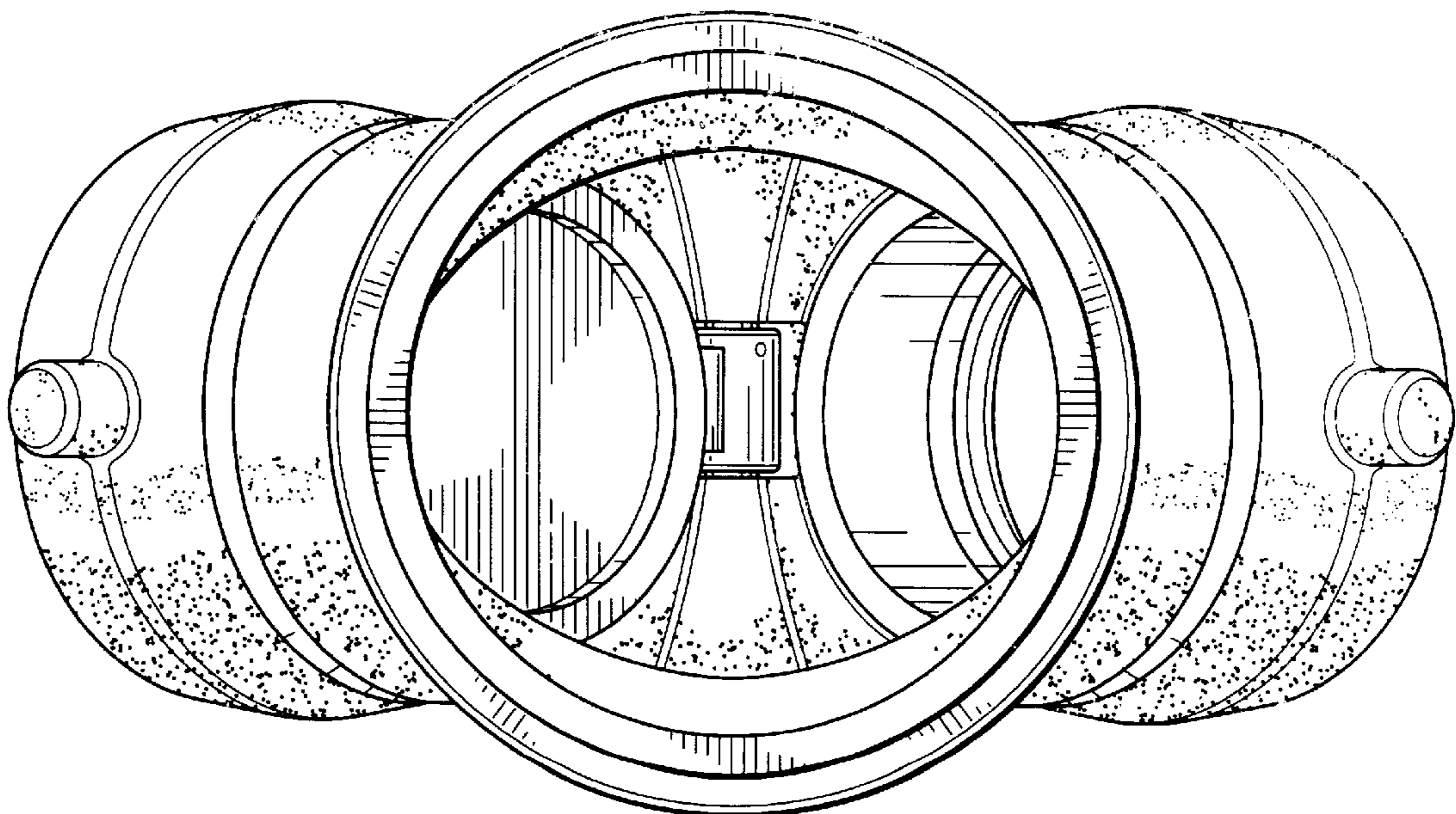


FIG. 4