



US00D462750S

(12) **United States Design Patent**  
**Lord**

(10) **Patent No.:** **US D462,750 S**

(45) **Date of Patent:** **\*\* Sep. 10, 2002**

(54) **TUB SPOUT**

(75) **Inventor:** **Judd A. Lord, Carmel, IN (US)**

(73) **Assignee:** **Masco Corporation of Indiana, Indianapolis, IN (US)**

(\*\*) **Term:** **14 Years**

(21) **Appl. No.:** **29/136,835**

(22) **Filed:** **Feb. 7, 2001**

(51) **LOC (7) Cl.** ..... **23-01**

(52) **U.S. Cl.** ..... **D23/257; D23/255**

(58) **Field of Search** ..... **D23/238-257;**  
**4/675-678; 16/110 R-121; 137/801**

(56) **References Cited**

**U.S. PATENT DOCUMENTS**

D261,027 S	*	9/1981	Klose	.....	D23/255
D266,452 S	*	10/1982	Fleischmann et al.	.....	D23/257
D296,235 S	*	6/1988	Schmitz	.....	D23/257
D317,350 S	*	6/1991	Freed	.....	D23/257
D339,412 S		9/1993	Hill et al.		
D344,575 S		2/1994	Hill et al.		
D346,645 S		5/1994	Hill et al.		
D353,877 S	*	12/1994	Rogers	.....	D23/255
D365,143 S	*	12/1995	Fabian	.....	D23/255
D366,100 S	*	1/1996	Doughty et al.	.....	D23/255
D379,849 S		6/1997	Hill et al.		

D411,874 S	*	7/1999	Ko	.....	D23/255
D442,265 S	*	5/2001	Marinov et al.	.....	D23/255
D442,266 S	*	5/2001	Marinov et al.	.....	D23/257

\* cited by examiner

*Primary Examiner*—Louis S. Zarfes

*Assistant Examiner*—Gregory Andoll

(74) *Attorney, Agent, or Firm*—Myron B. Kapustij; Lloyd D. Doigan

(57) **CLAIM**

The ornamental design for a tub spout, as shown and described.

**DESCRIPTION**

FIG. 1 is a top front perspective view of the tub spout showing my new design;

FIG. 2 is a top rear perspective view thereof;

FIG. 3 is a left side elevational view thereof, the right side being a mirror image;

FIG. 4 is a top plan view thereof;

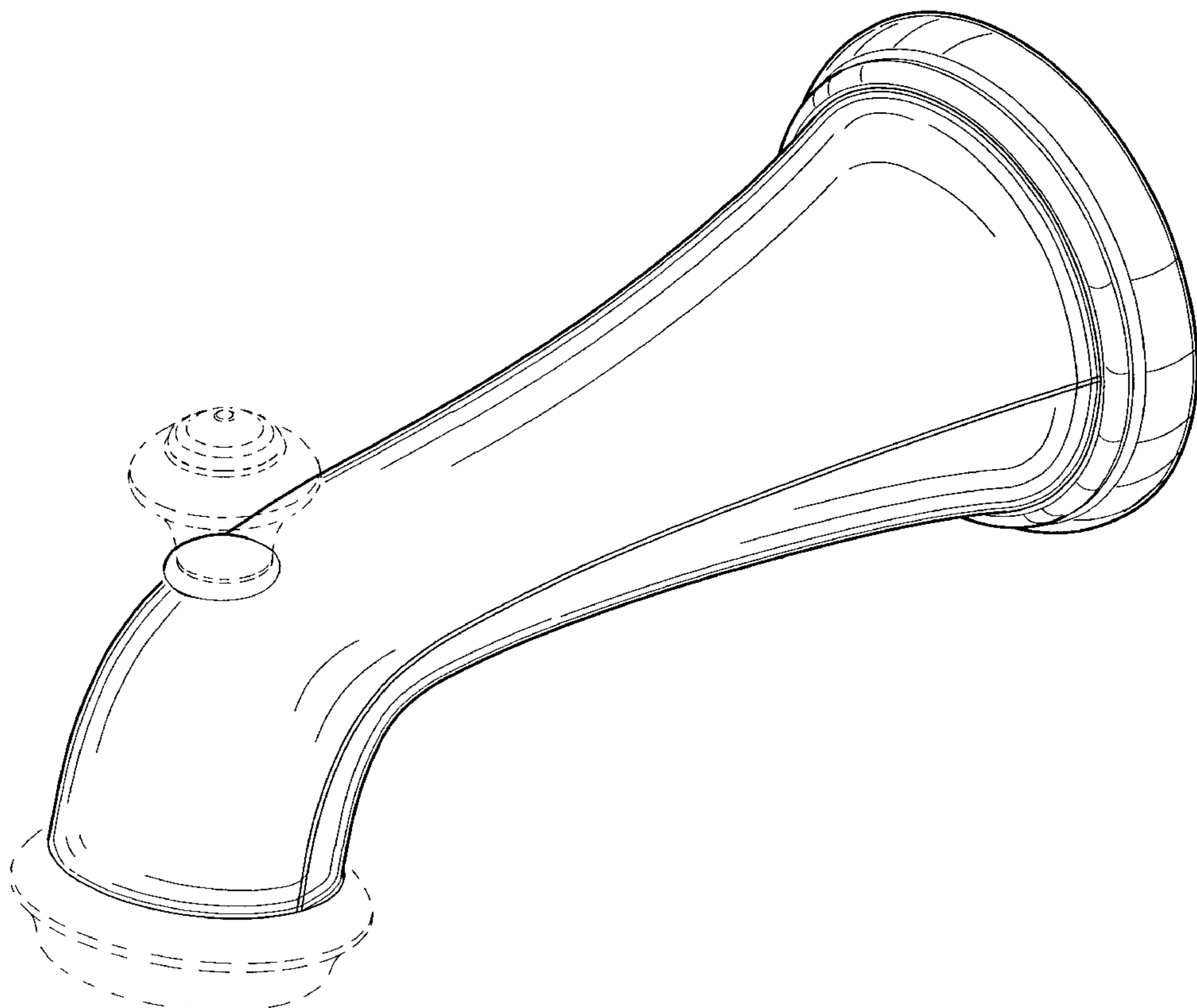
FIG. 5 is a rear elevational view thereof;

FIG. 6 is a front elevational view thereof; and,

FIG. 7 is a bottom plan view thereof.

The broken line showing of the diverter valve handle and spout tip in FIGS. 1 and 2, and of the diverter valve handle aperture in FIG. 4 are for purposes of illustration only and form no part of the claimed design.

**1 Claim, 6 Drawing Sheets**



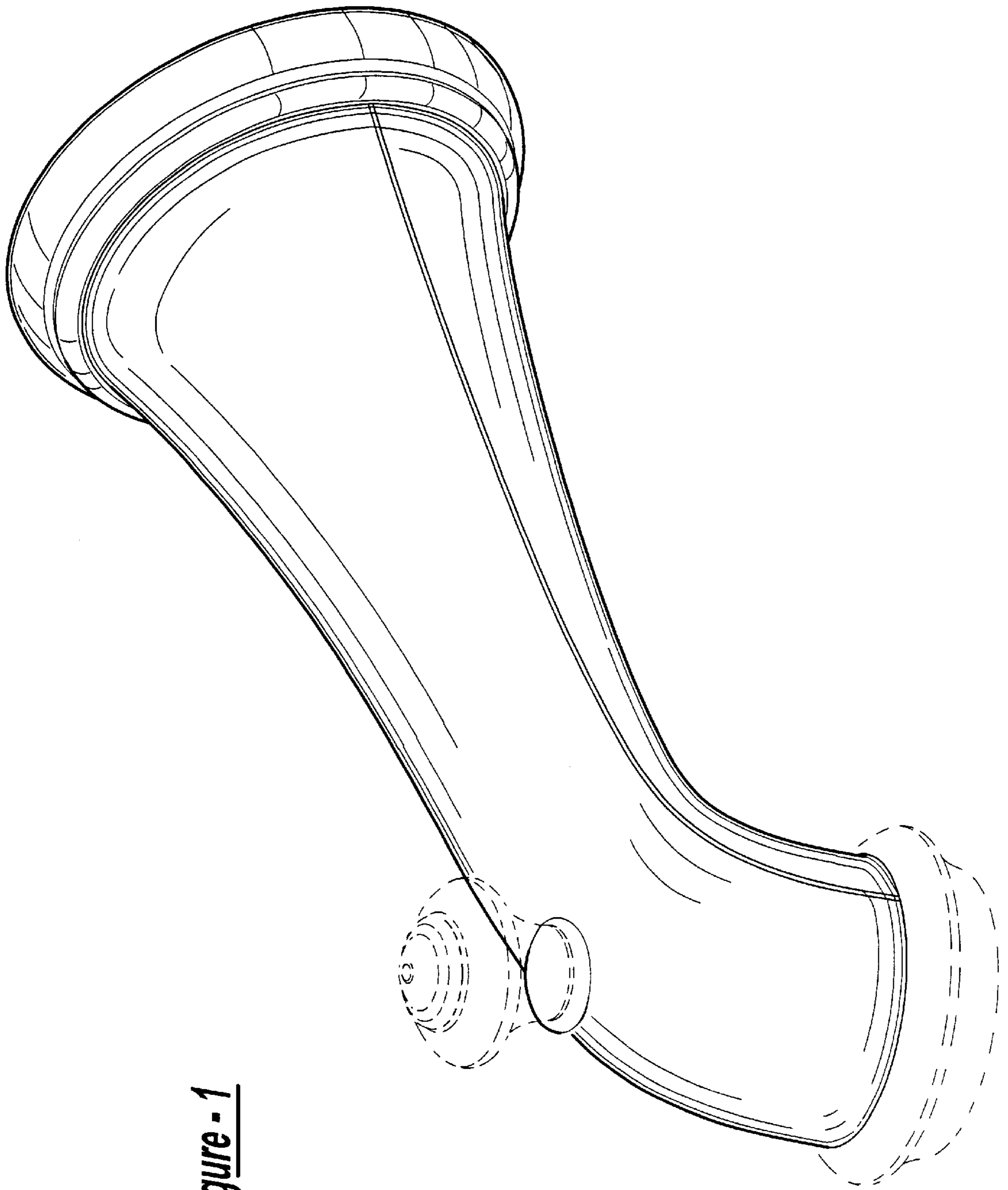


Figure - 1

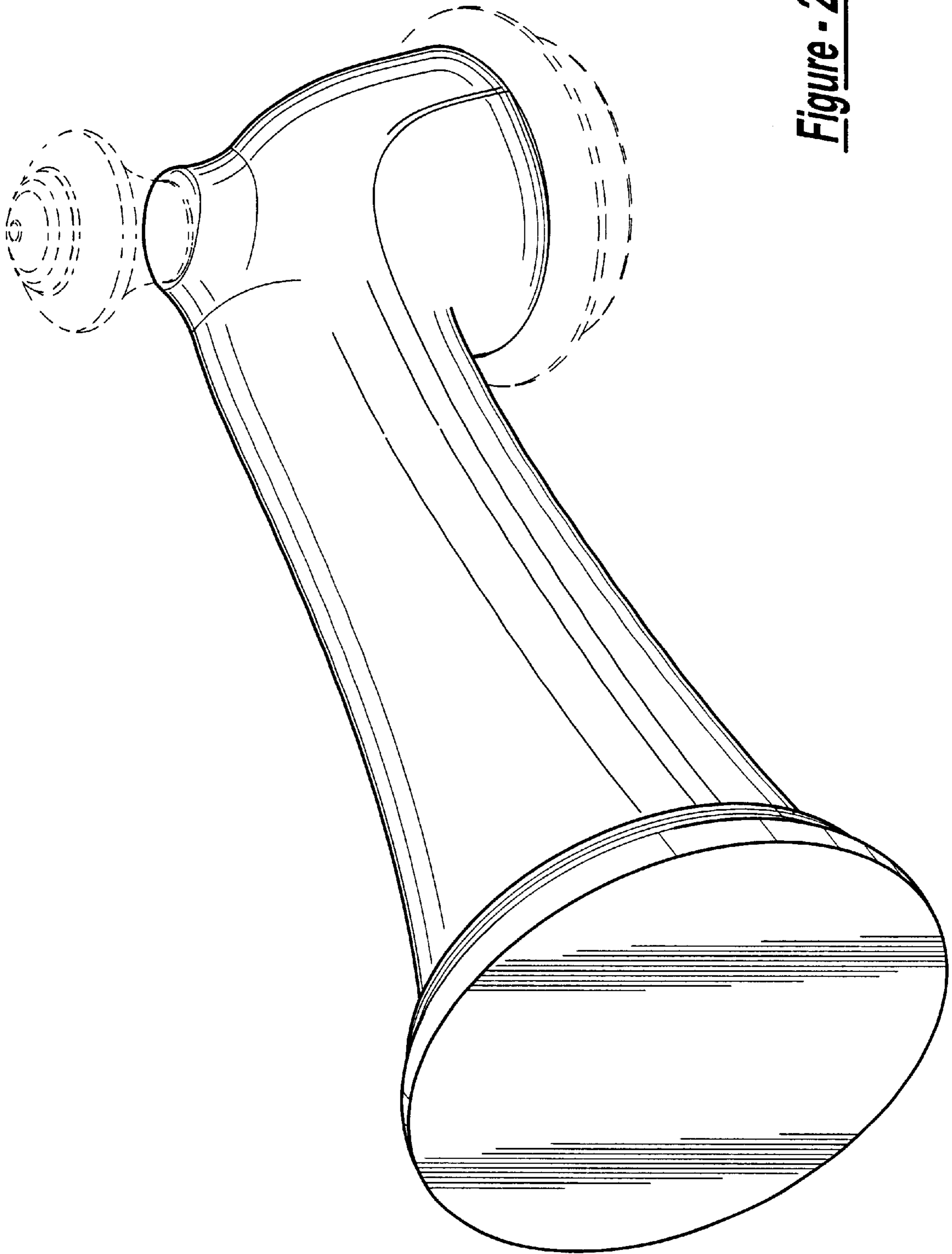


Figure - 2



Figure - 3



Figure - 4



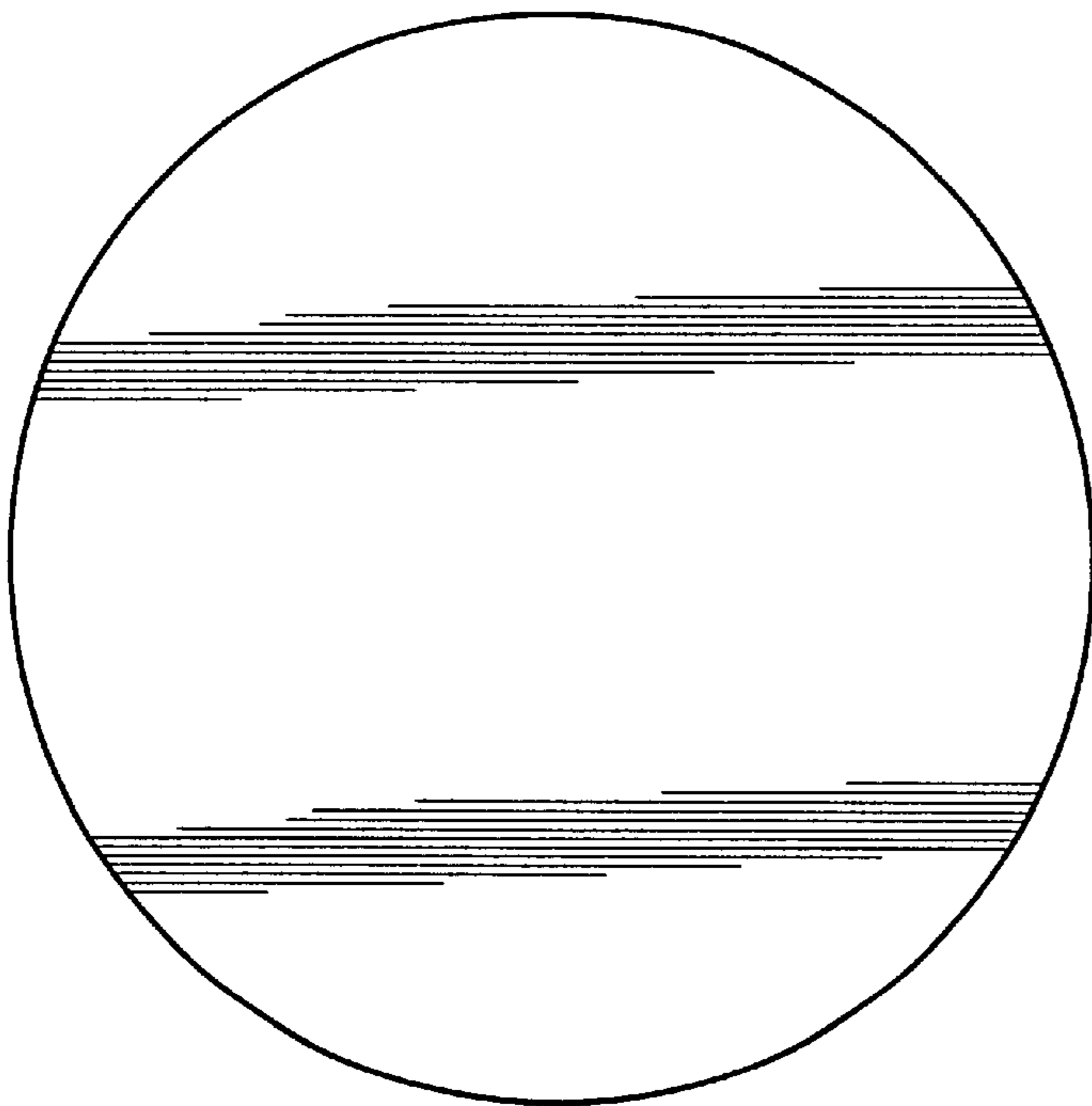


Figure - 5

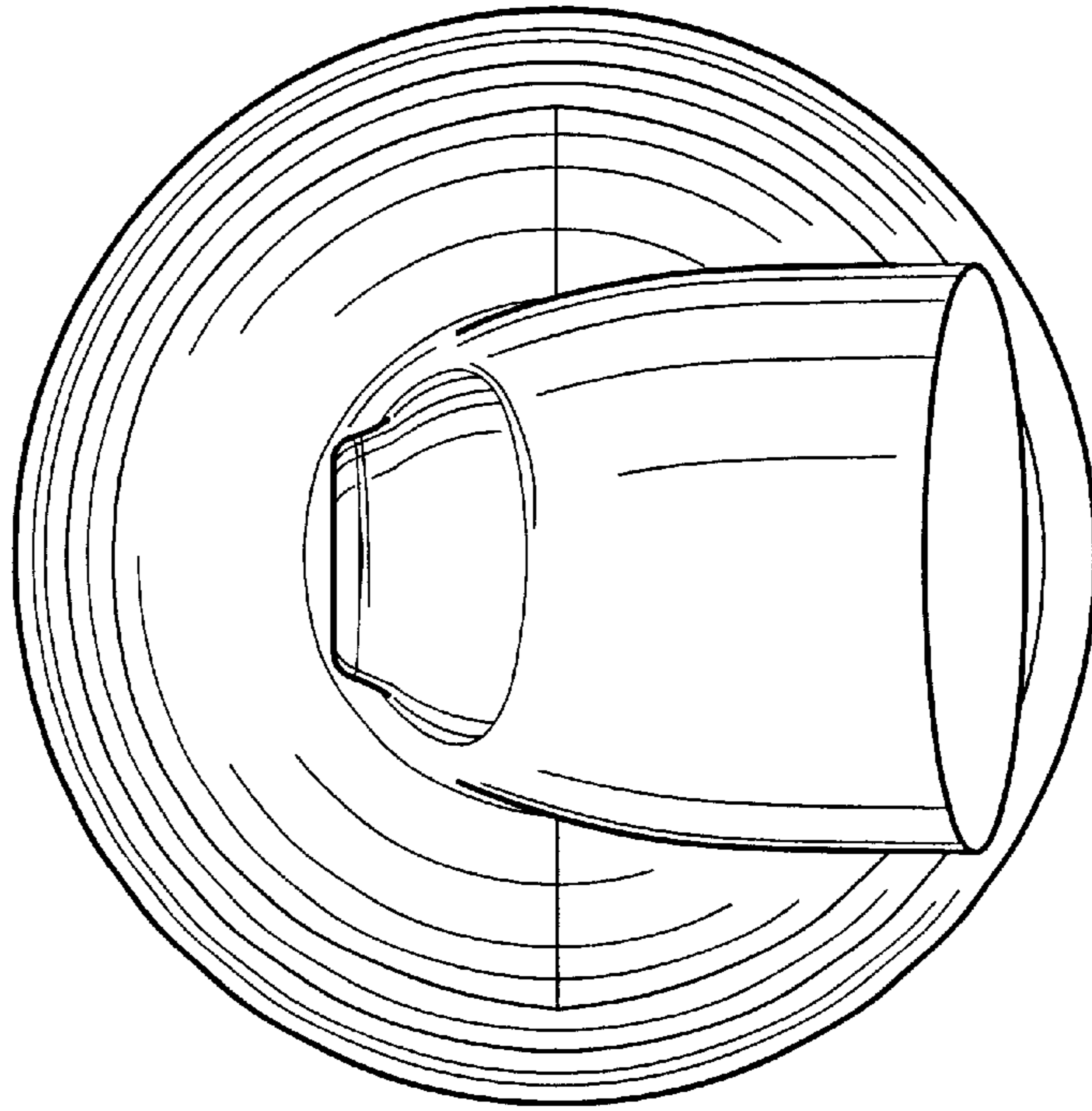


Figure - 6



Figure - 7