



US00D462747S

(12) **United States Design Patent**  
**Pavlovic**

(10) **Patent No.:** **US D462,747 S**

(45) **Date of Patent:** **\*\* Sep. 10, 2002**

(54) **VALVE HANDLE**

(75) Inventor: **Dan Pavlovic**, Brampton (CA)

(73) Assignee: **Zemex Inc.**, Brampton (CA)

(\*\*) Term: **14 Years**

(21) Appl. No.: **29/146,102**

(22) Filed: **Aug. 6, 2001**

(51) **LOC (7) Cl.** ..... **23-01**

(52) **U.S. Cl.** ..... **D23/250**

(58) **Field of Search** ..... D23/238-257;  
D8/300-312, DIG. 3; 4/675-678; 16/110 R-125;  
137/801

(56) **References Cited**

**U.S. PATENT DOCUMENTS**

D322,022 S \* 12/1991 Cunningham et al. .... D8/303  
D352,800 S \* 11/1994 Leung ..... D8/303

D390,921 S \* 2/1998 Steffes et al. .... D23/250

\* cited by examiner

*Primary Examiner*—Louis S. Zarfes

*Assistant Examiner*—Gregory Andoll

(74) *Attorney, Agent, or Firm*—Eugene J. A. Gierczak

(57) **CLAIM**

The ornamental design for the valve handle, as shown and described.

**DESCRIPTION**

FIG. 1 is a perspective view of the valve handle;  
FIG. 2 is a front view of the valve handle;  
FIG. 3 is a top view of the valve handle;  
FIG. 4 is a cross-sectional view of the valve handle, taken along line 4—4 of FIG. 2; and,  
FIG. 5 is a bottom view of the valve handle.

**1 Claim, 2 Drawing Sheets**

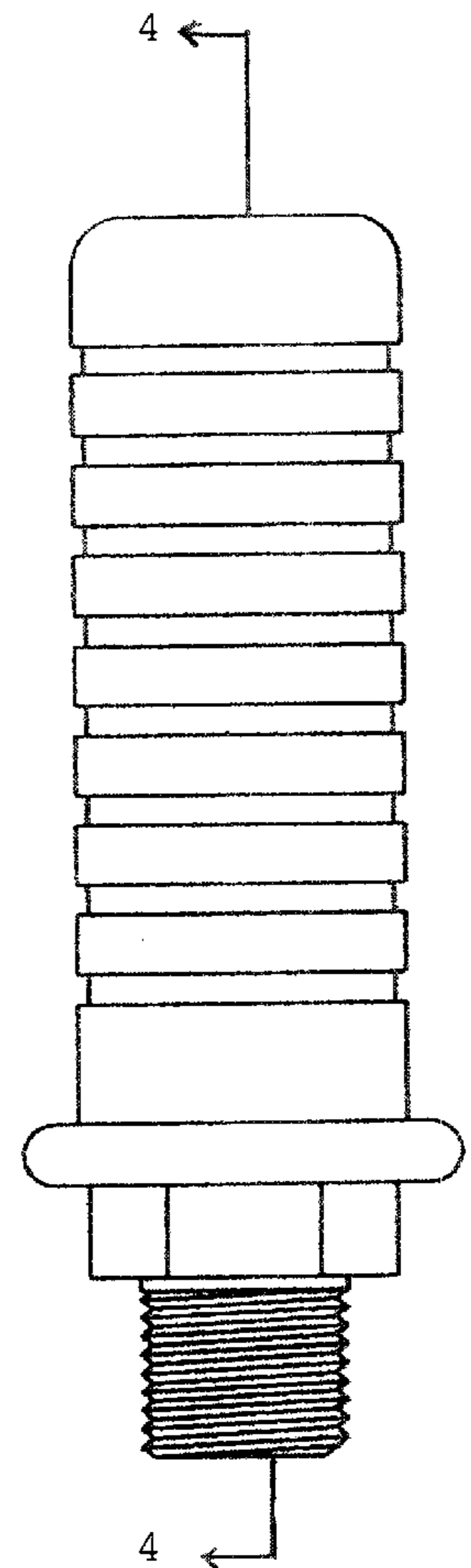
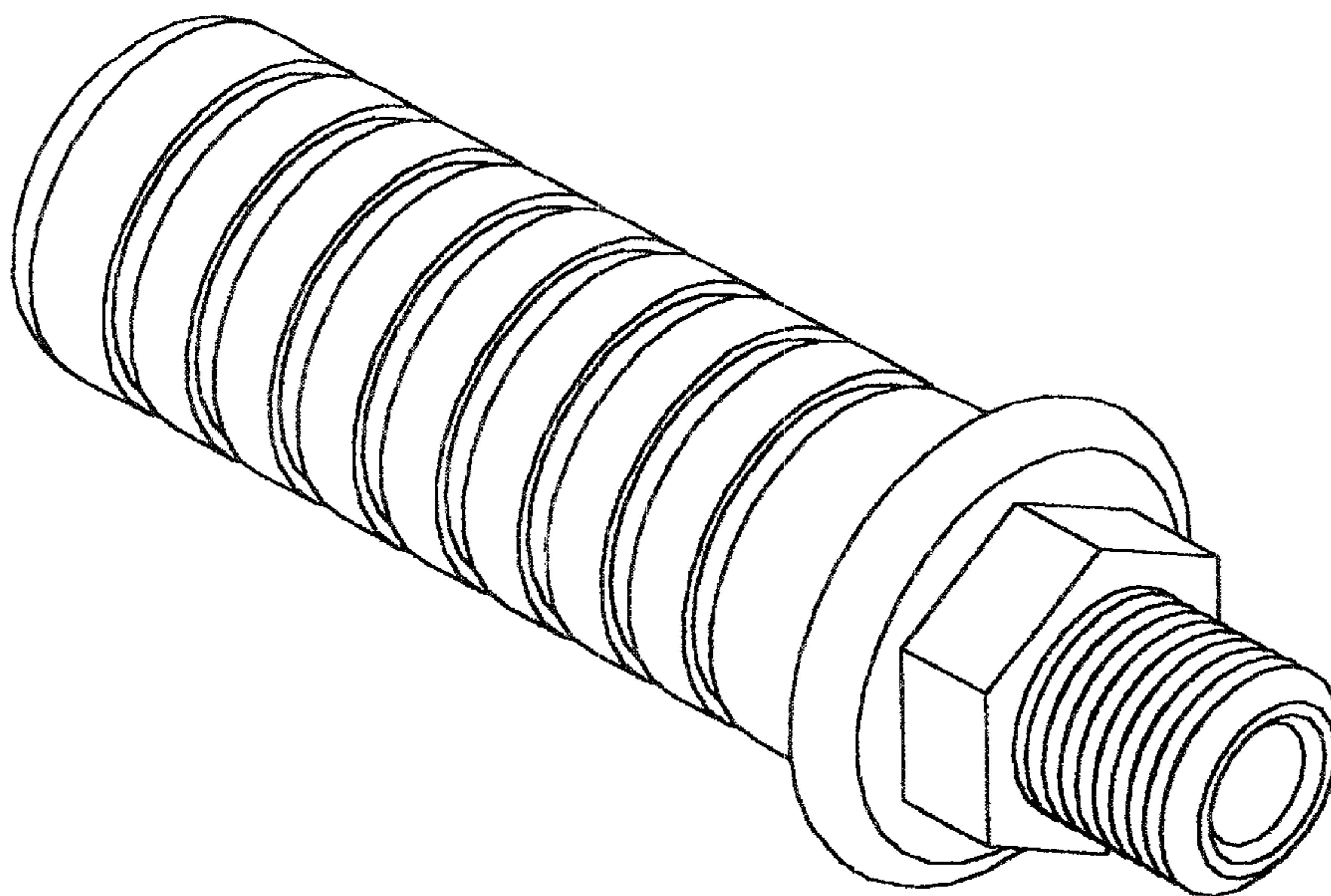
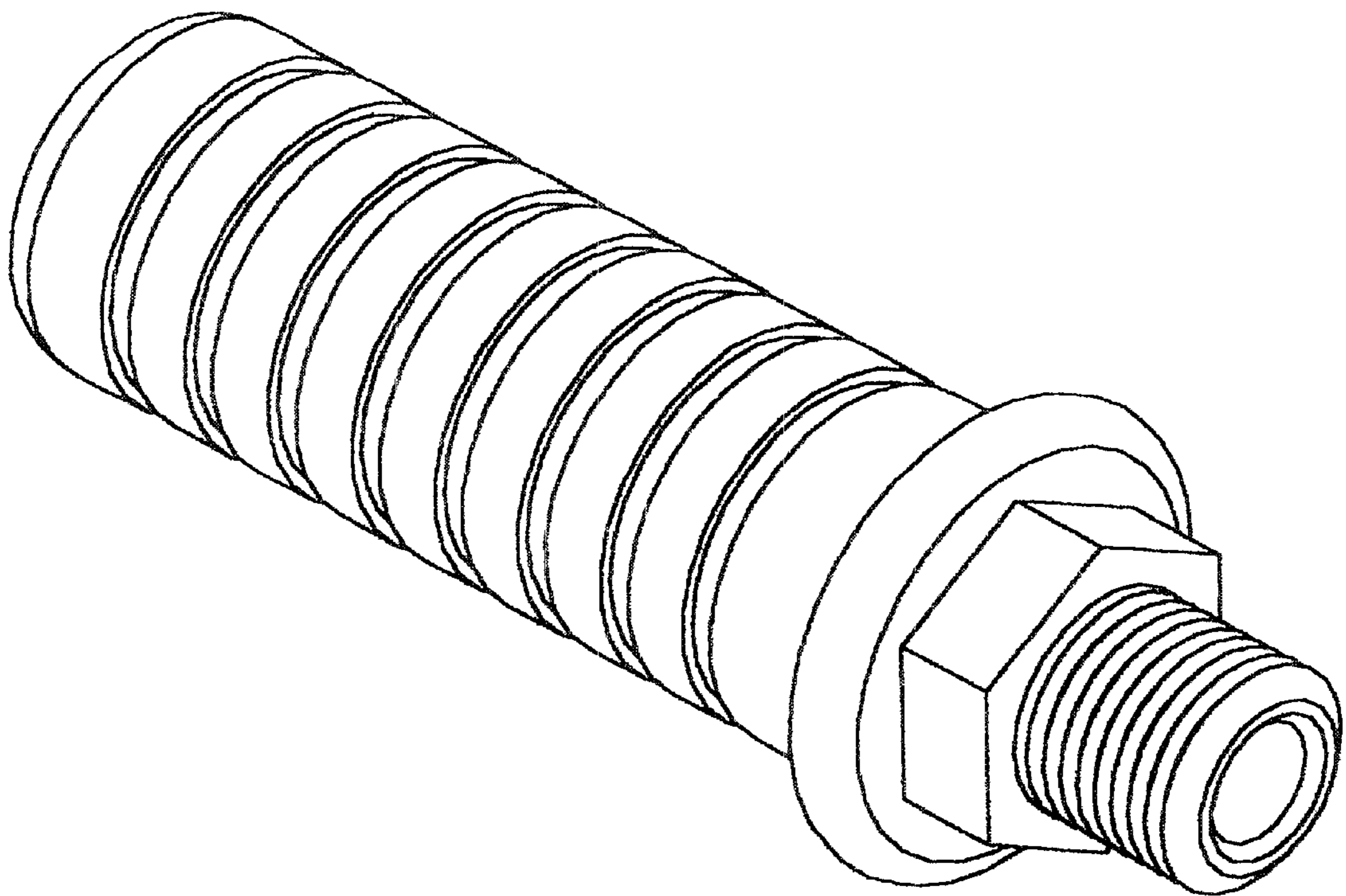


Figure 1



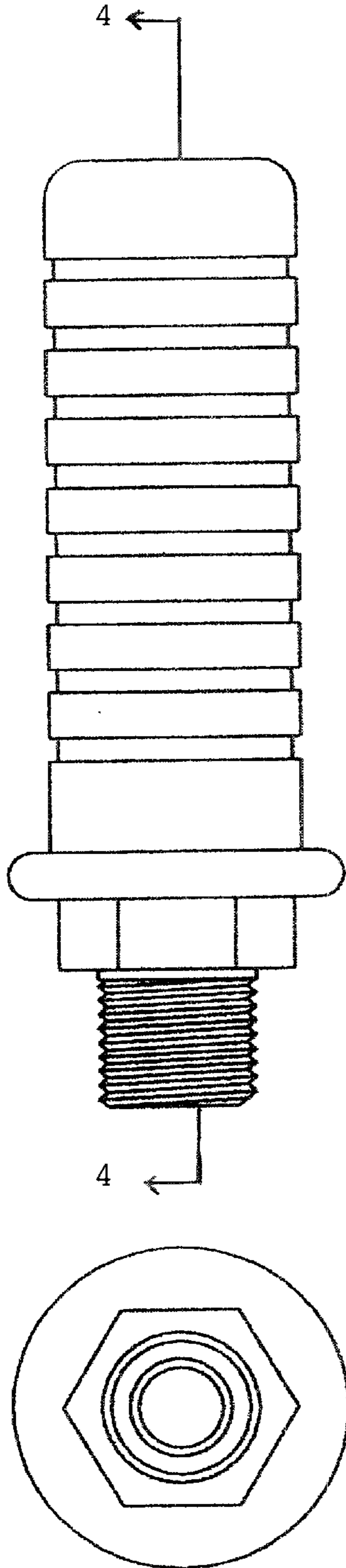


Figure 2

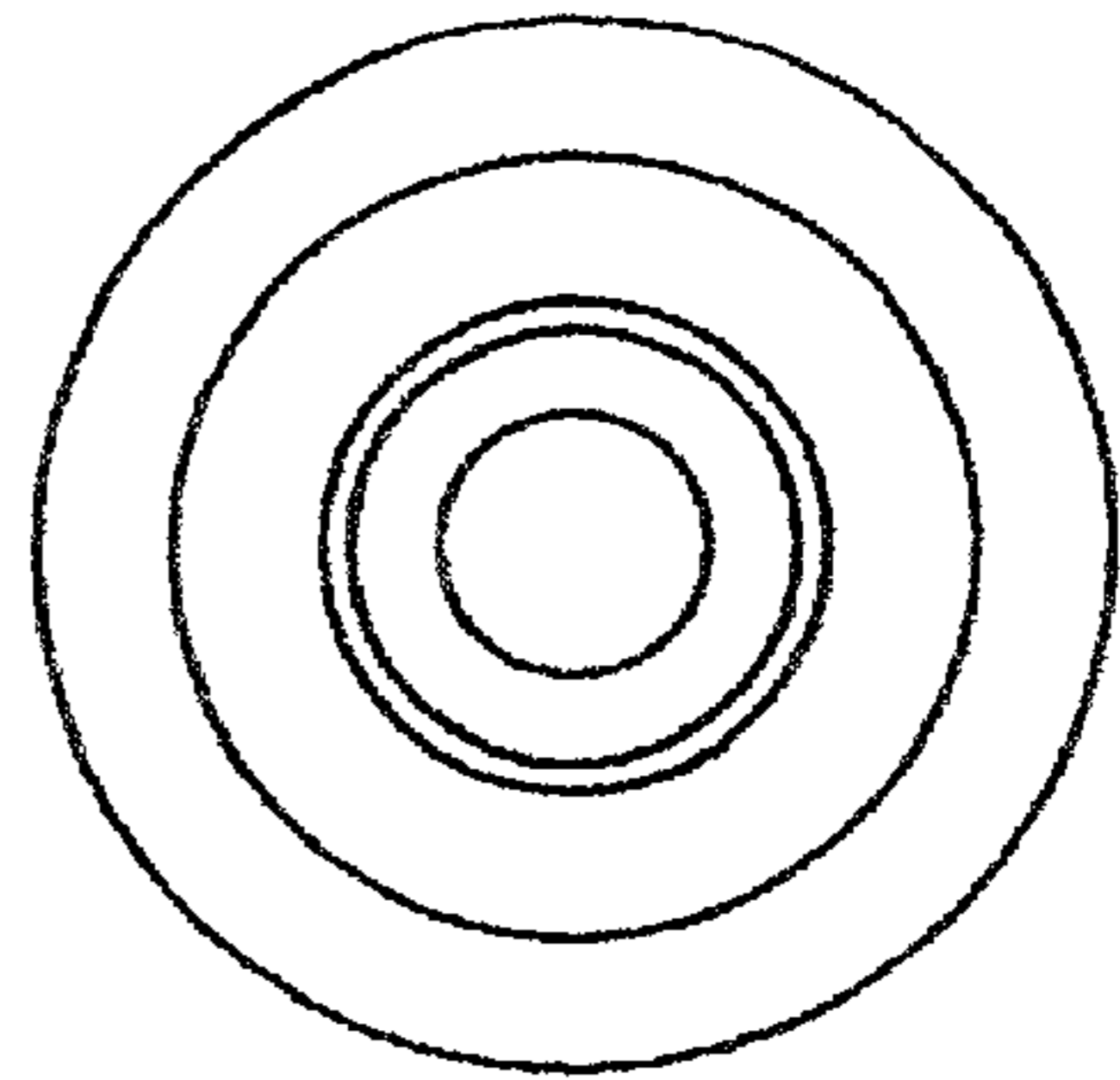


Figure 5

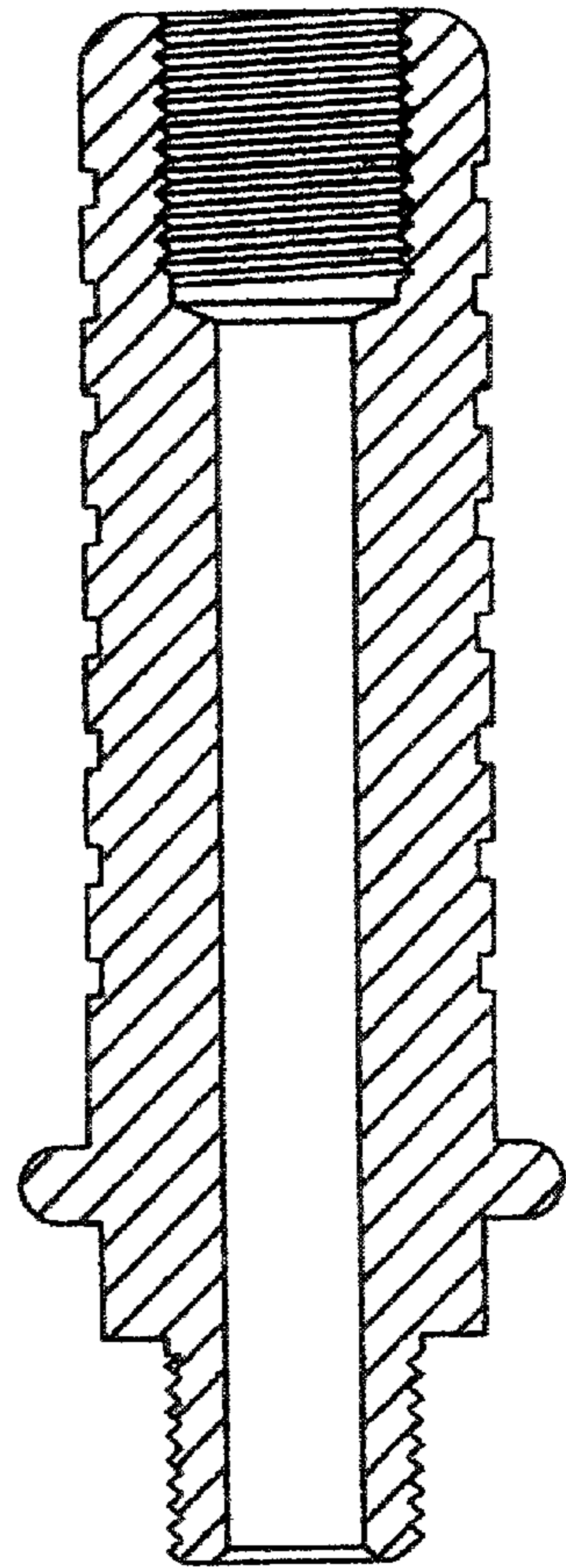


Figure 4

Figure 3