

US00D462745S

(12) **United States Design Patent**  
**Lord**

(10) **Patent No.:** **US D462,745 S**

(45) **Date of Patent:** **\*\* Sep. 10, 2002**

(54) **FAUCET**

(75) **Inventor:** **Judd A. Lord**, Carmel, IN (US)

(73) **Assignee:** **Masco Corporation of Indiana**, Indianapolis, IN (US)

(\*\*) **Term:** **14 Years**

(21) **Appl. No.:** **29/136,836**

(22) **Filed:** **Feb. 7, 2001**

(51) **LOC (7) Cl.** ..... **23-01**

(52) **U.S. Cl.** ..... **D23/241; D23/238; D23/242**

(58) **Field of Search** ..... **D23/238-257; 4/675-678; 137/801**

(56) **References Cited**

**U.S. PATENT DOCUMENTS**

D287,395 S	*	12/1986	Piesco	.....	D23/255
D318,099 S	*	7/1991	Reid et al.	.....	D23/255
D375,345 S	*	11/1996	Warshawsky	.....	D23/241
D377,516 S	*	1/1997	Doughty et al.	.....	D23/241
D407,466 S	*	3/1999	Hundley et al.	.....	D23/252
D438,292 S	*	2/2001	Lord	.....	D23/249
D448,456 S	*	9/2001	Lord	.....	D23/249

**OTHER PUBLICATIONS**

- U.S. patent application Ser. No. 29/136,750, filed Feb. 7, 2001.
- U.S. patent application Ser. No. 29/136,845, filed Feb. 7, 2001.
- U.S. patent application Ser. No. 29/136,756, filed Feb. 7, 2001.
- U.S. patent application Ser. No. 29/136,760, filed Feb. 7, 2001.
- U.S. patent application Ser. No. 29/136,804, filed Feb. 7, 2001.
- U.S. patent application Ser. No. 29/136,839, filed Feb. 7, 2001.
- U.S. patent application Ser. No. 29/136,833, filed Feb. 7, 2001.

U.S. patent application Ser. No. 29/136,752, filed Feb. 7, 2001.

U.S. patent application Ser. No. 29/136,765, filed Feb. 7, 2001.

U.S. patent application Ser. No. 29/136,769, filed Feb. 7, 2001.

U.S. patent application Ser. No. 29/136,805, filed Feb. 7, 2001.

U.S. patent application Ser. No. 29/136,782, filed Feb. 7, 2001.

U.S. patent application Ser. No. 29/136,761, filed Feb. 7, 2001.

U.S. patent application Ser. No. 29/136,766, filed Feb. 7, 2001.

U.S. patent application Ser. No. 29/136,763, filed Feb. 7, 2001.

U.S. patent application Ser. No. 29/136,773, filed Feb. 7, 2001.

\* cited by examiner

*Primary Examiner*—Louis S. Zarfes

*Assistant Examiner*—Gregory Andoll

(74) *Attorney, Agent, or Firm*—Myron B. Kapustij; Lloyd D. Doigan

(57) **CLAIM**

The ornamental design for a faucet, as shown, as described.

**DESCRIPTION**

FIG 1 is a front perspective view of the faucet showing my new design;  
 FIG 2 is a rear perspective view thereof;  
 FIG 3 is a front elevational view thereof;  
 FIG 4 is a left side elevational view thereof, the right side being a mirror image;  
 FIG 5 is a rear elevational view thereof;  
 FIG 6 is a top plan view thereof; and,  
 FIG 7 is a bottom plan view thereof.  
 The broken line showing of the top finial in FIGS. 1 and 2, and of the apertures in FIG. 7 are for purposes of illustration only and form no part of the claimed design.

**1 Claim, 7 Drawing Sheets**

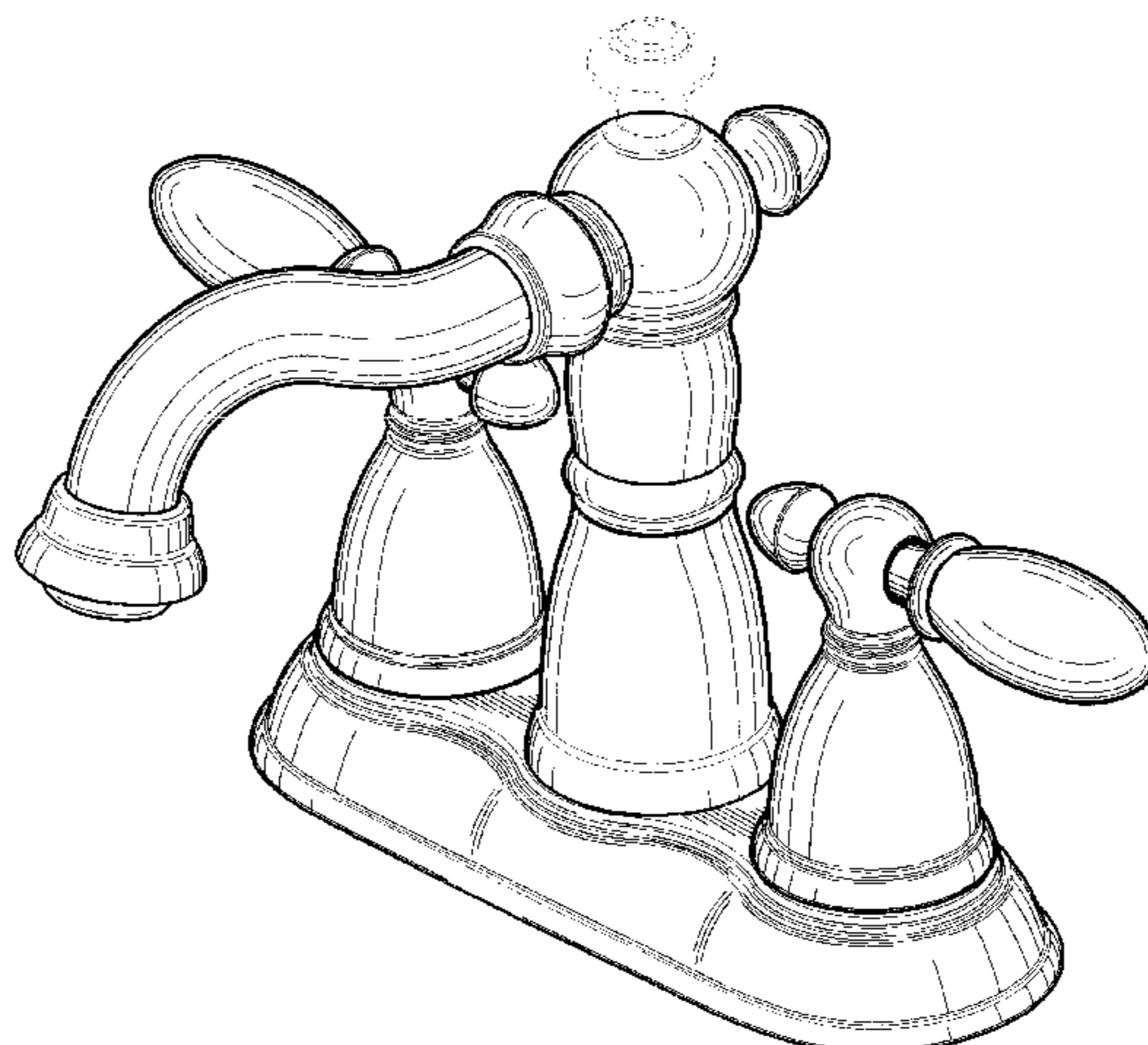


Figure - 1

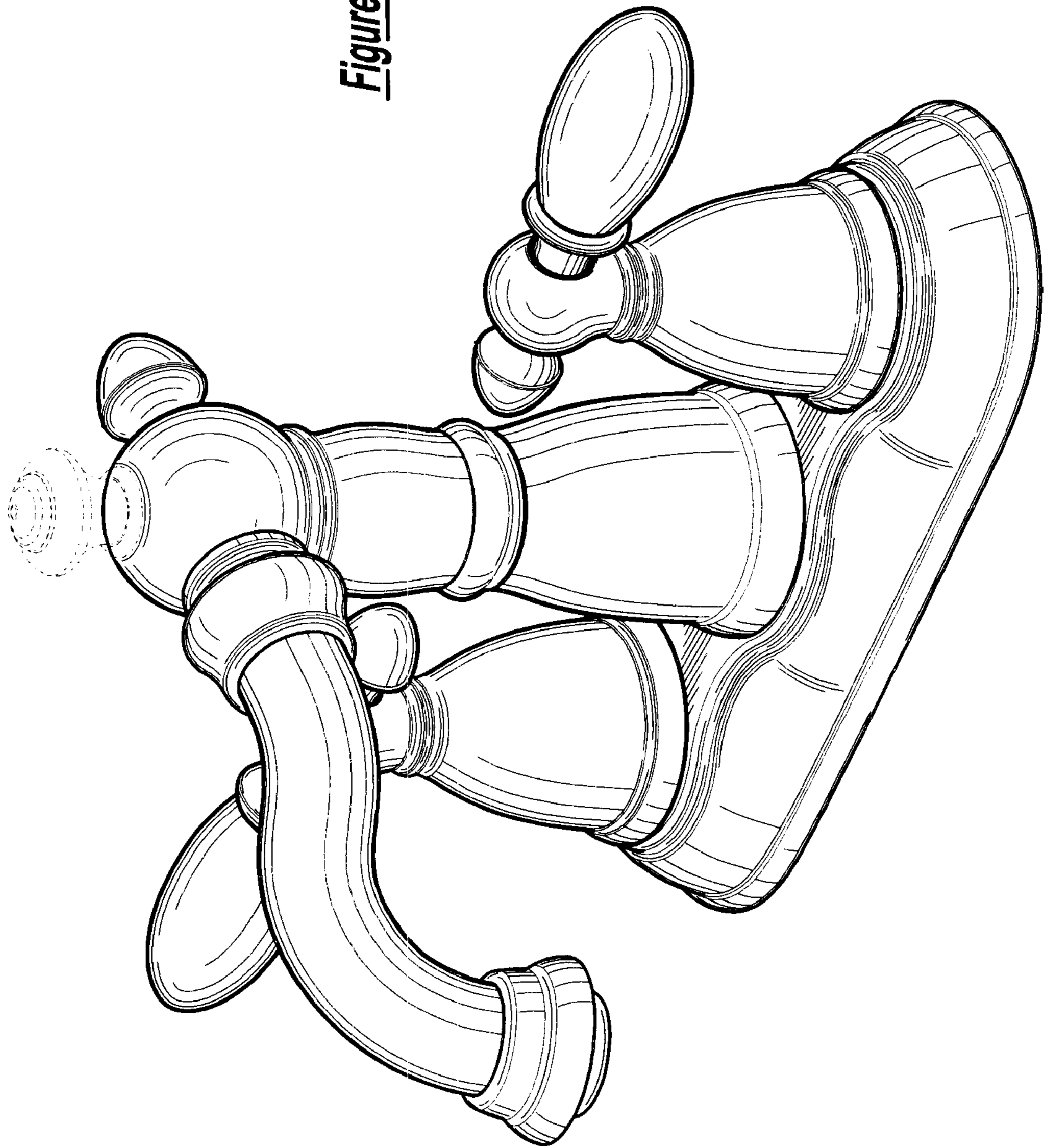


Figure - 2

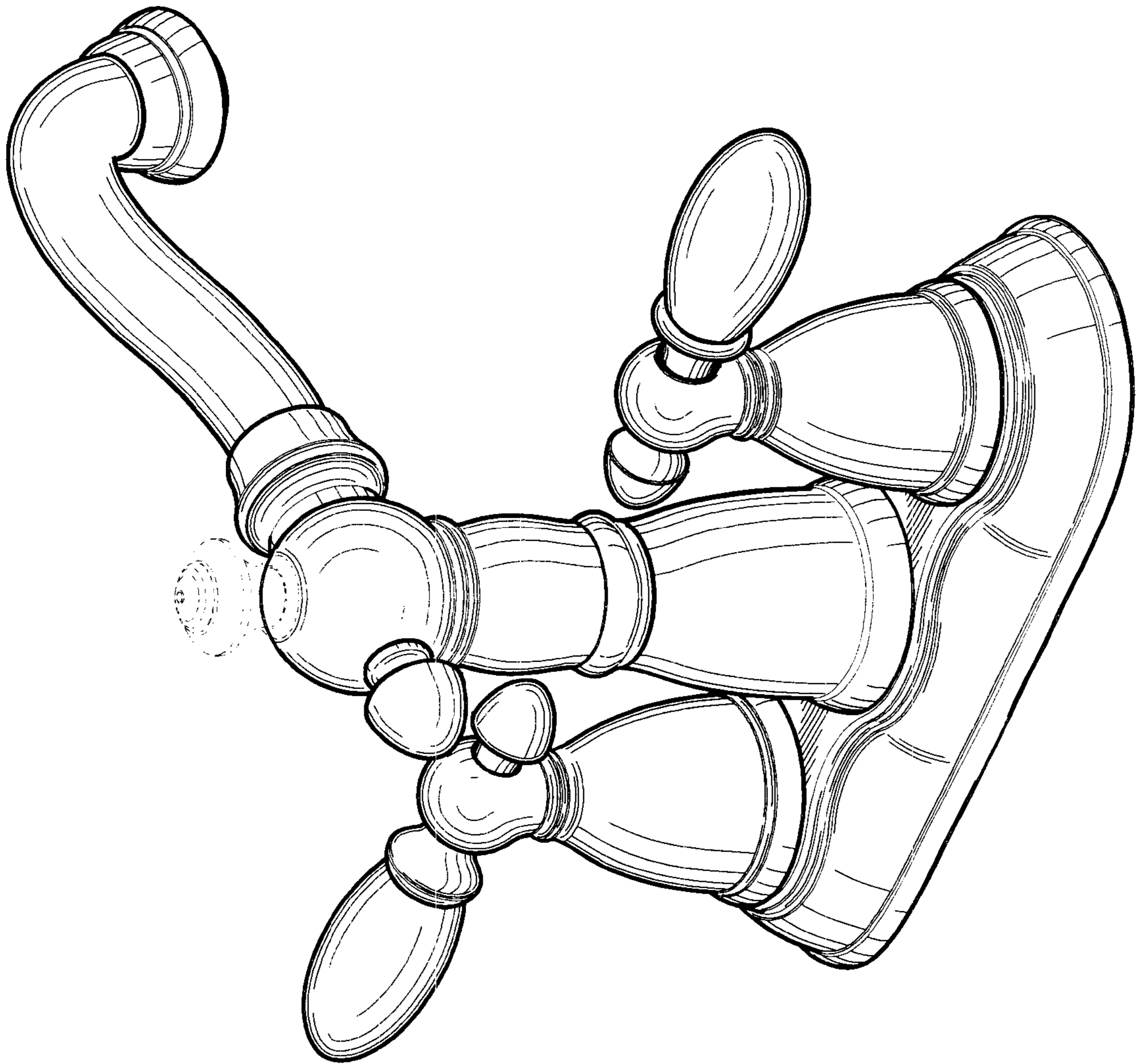
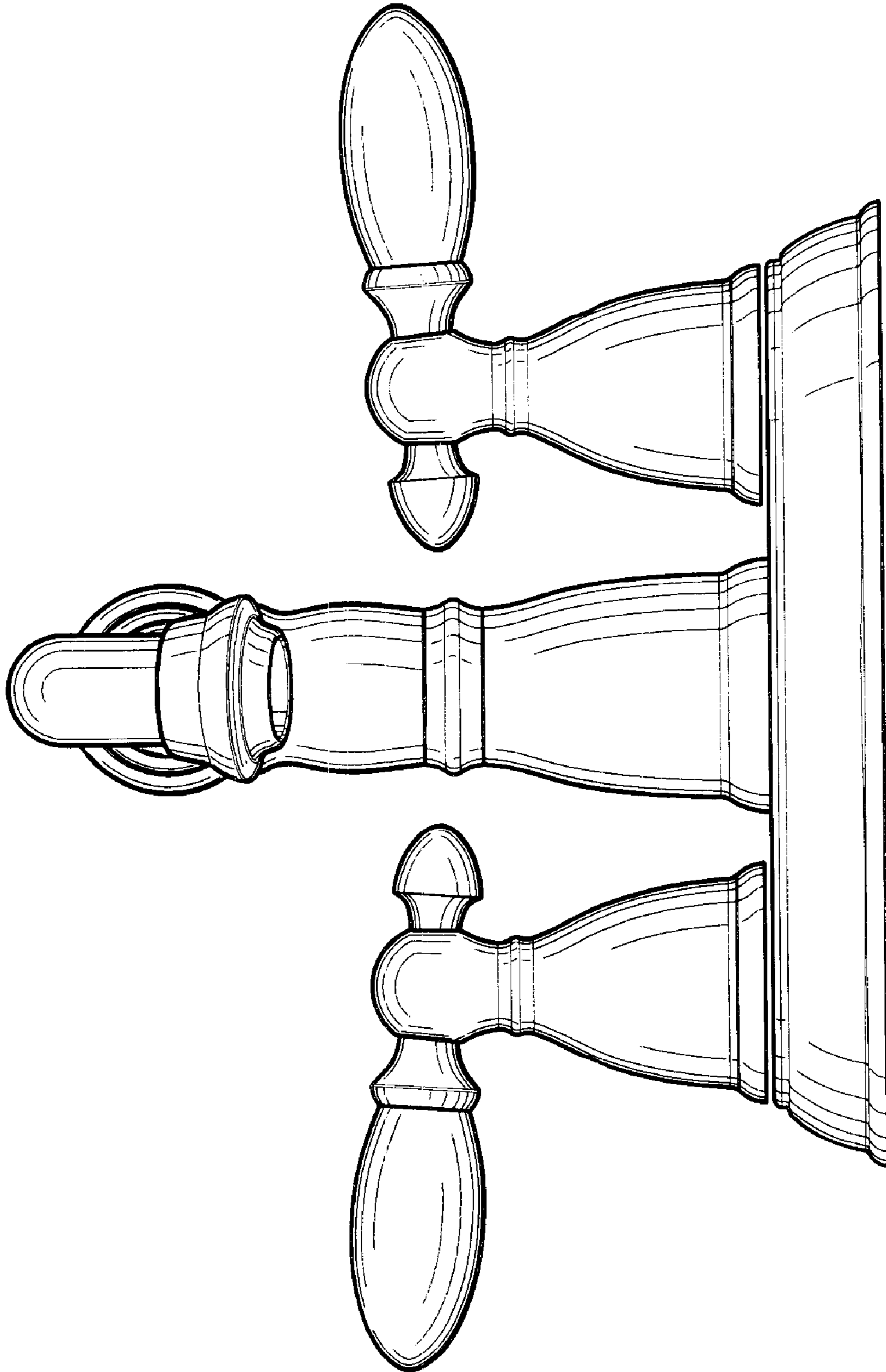


Figure - 3



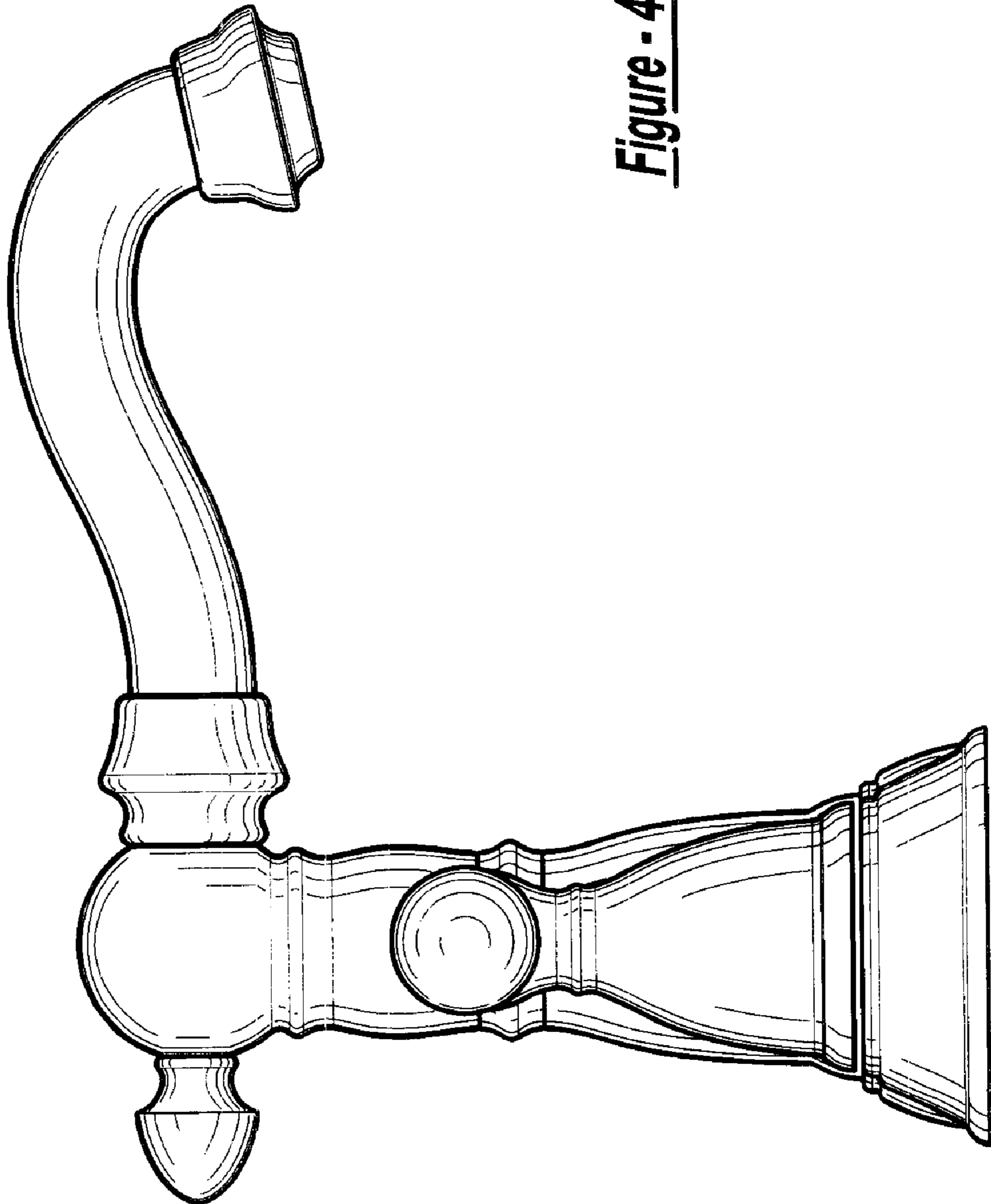
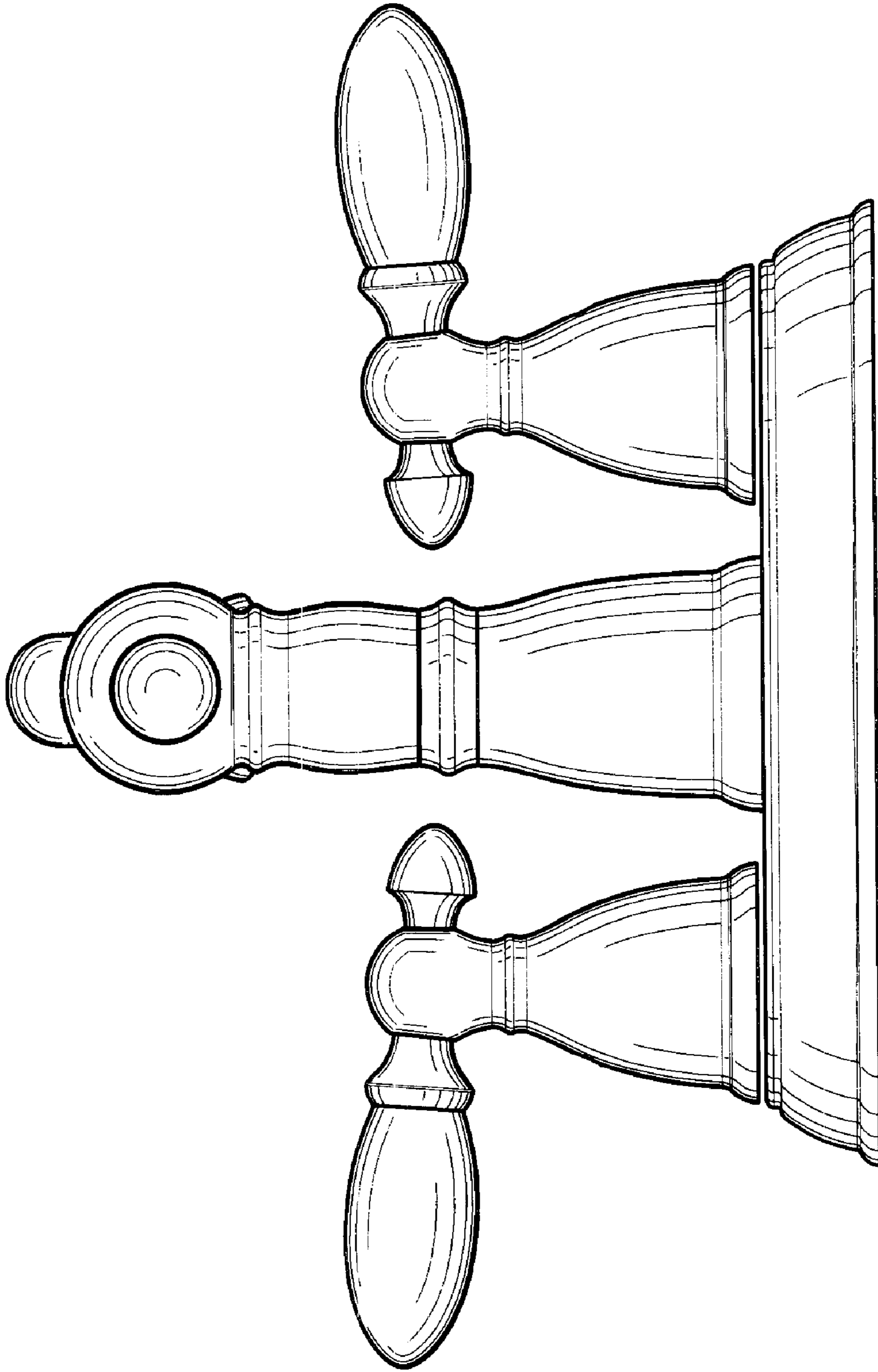


Figure - 4

Figure - 5



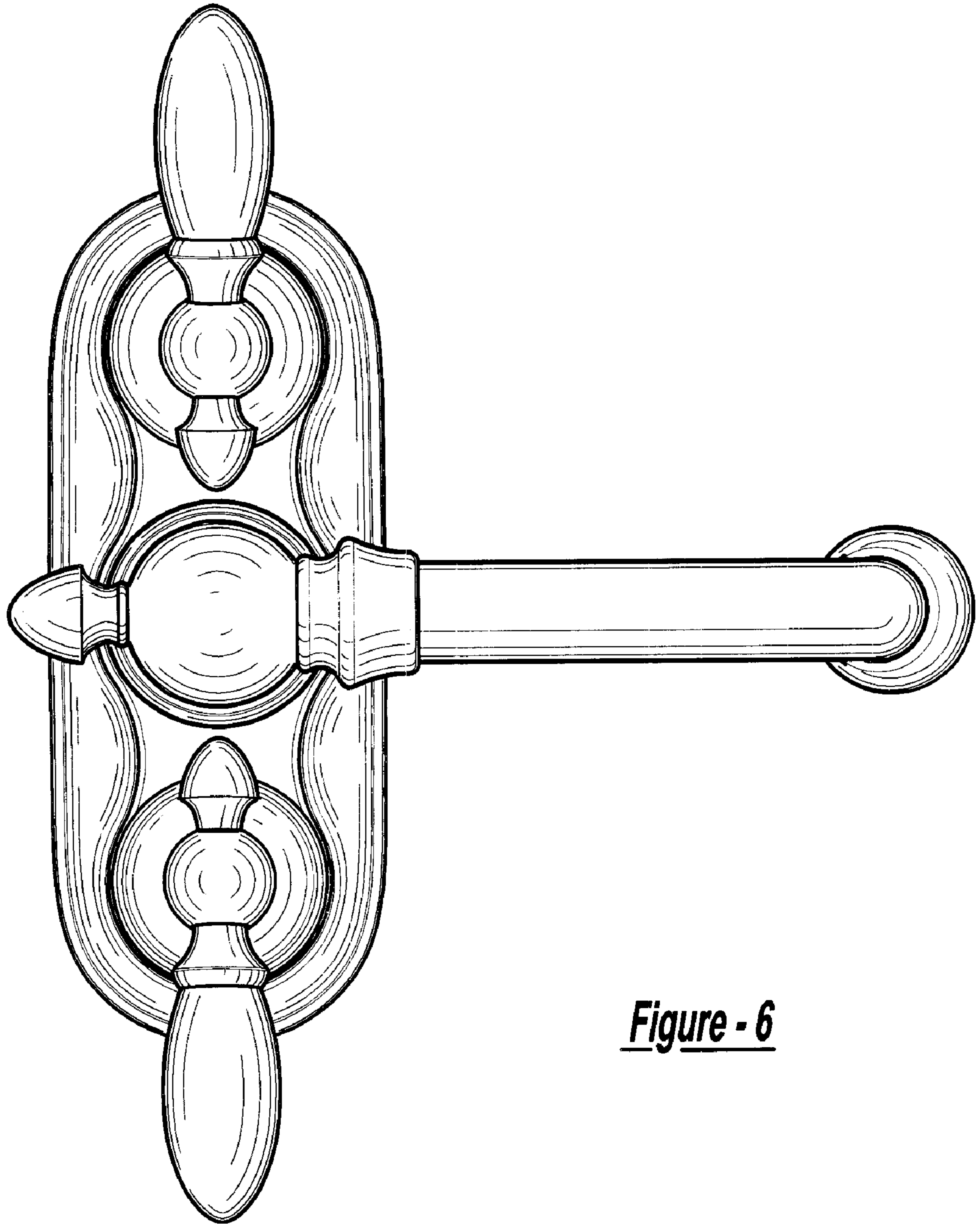


Figure - 6

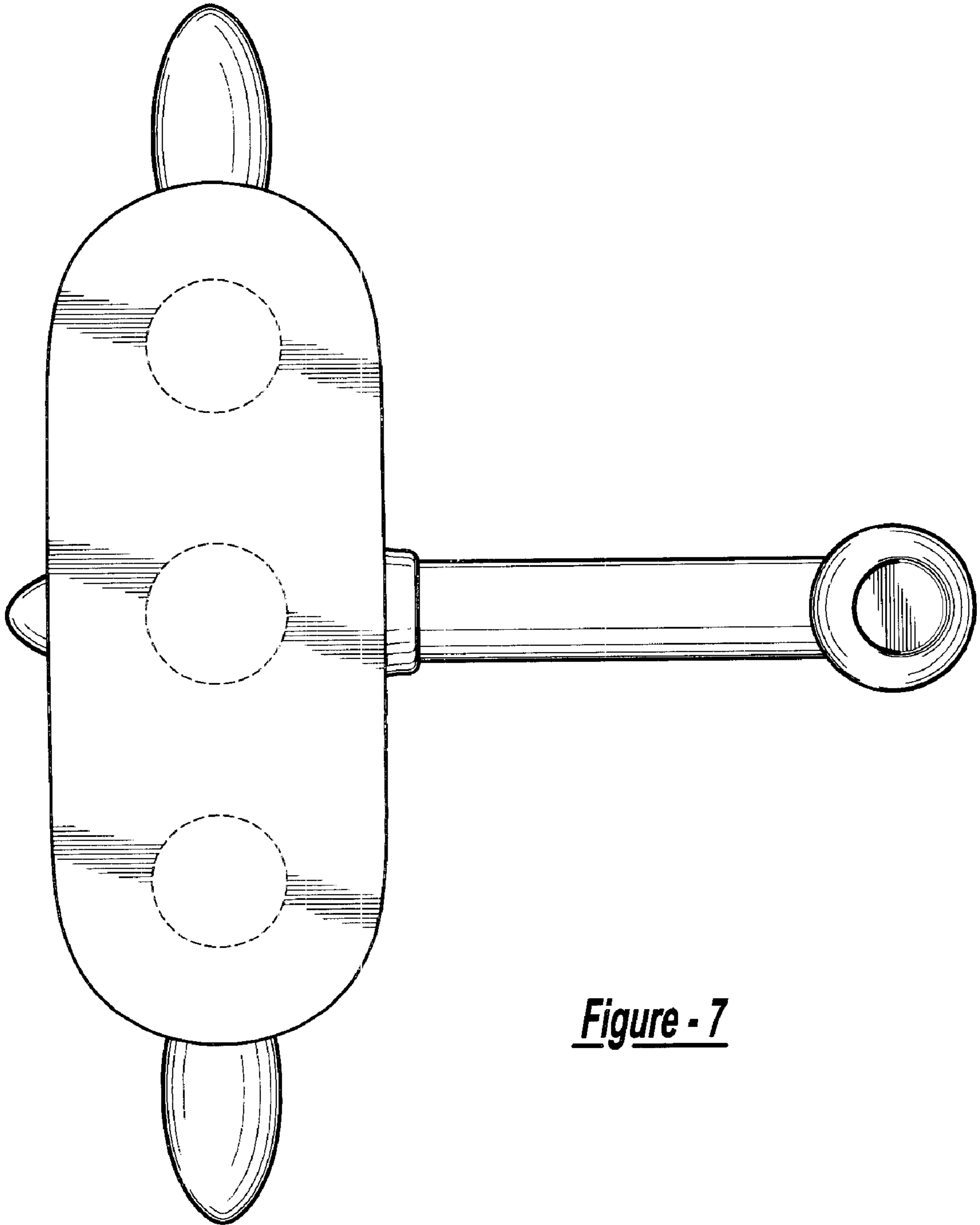


Figure - 7