



US00D462744S

(12) **United States Design Patent**  
**Lord**

(10) **Patent No.:** **US D462,744 S**

(45) **Date of Patent:** **\*\* Sep. 10, 2002**

(54) **FAUCET**

(75) Inventor: **Judd A. Lord**, Carmel, IN (US)

(73) Assignee: **Masco Corporation of Indiana**, Indianapolis, IN (US)

(\*\*) Term: **14 Years**

(21) Appl. No.: **29/136,763**

(22) Filed: **Feb. 7, 2001**

(51) **LOC (7) Cl.** ..... **23-01**

(52) **U.S. Cl.** ..... **D23/241; D23/238**

(58) **Field of Search** ..... **D23/238-257; 4/675-678; 137/801**

U.S. patent application Ser. No. 29/136,765, filed Feb. 7, 2001.

U.S. patent application Ser. No. 29/136,769, filed Feb. 7, 2001.

U.S. patent application Ser. No. 29/136,805, filed Feb. 7, 2001.

U.S. patent application Ser. No. 29/136,782, filed Feb. 7, 2001.

U.S. patent application Ser. No. 29/136,761, filed Feb. 7, 2001.

U.S. patent application Ser. No. 29/136,845, filed Feb. 7, 2001.

U.S. patent application Ser. No. 29/136,766, filed Feb. 7, 2001.

U.S. patent application Ser. No. 29/136,773, filed Feb. 7, 2001.

(56) **References Cited**

**U.S. PATENT DOCUMENTS**

D287,395 S	*	12/1986	Piesco	.....	D23/255
D318,099 S	*	7/1991	Reid et al.	.....	D23/255
D375,345 S	*	11/1996	Warshawsky	.....	D23/241
D377,516 S	*	1/1997	Doughty et al.	.....	D23/241
D407,466 S	*	3/1999	Hundley et al.	.....	D23/252
D438,292 S	*	2/2001	Lord	.....	D23/249

**OTHER PUBLICATIONS**

U.S. patent application Ser. No. 29/136,750, filed Feb. 7, 2001.

U.S. patent application Ser. No. 29/136,756, filed Feb. 7, 2001.

U.S. patent application Ser. No. 29/136,836, filed Feb. 7, 2001.

U.S. patent application Ser. No. 29/136,760, filed Feb. 7, 2001.

U.S. patent application Ser. No. 29/136,804, filed Feb. 7, 2001.

U.S. patent application Ser. No. 29/136,839, filed Feb. 7, 2001.

U.S. patent application Ser. No. 29/136,833, filed Feb. 7, 2001.

U.S. patent application Ser. No. 29/136,752, filed Feb. 7, 2001.

\* cited by examiner

*Primary Examiner*—Louis S. Zarfes

*Assistant Examiner*—Gregory Andoll

(74) *Attorney, Agent, or Firm*—Myron B. Kapustij; Lloyd D. Doigan

(57) **CLAIM**

The ornamental design for a faucet, as shown and described.

**DESCRIPTION**

FIG. 1 is a front perspective view of the faucet showing my new design;

FIG. 2 is a rear perspective view thereof;

FIG. 3 is a left side elevational view thereof, the right side being a mirror image;

FIG. 4 is a top plan view thereof;

FIG. 5 is a rear elevational view thereof;

FIG. 6 is a front elevational view thereof; and,

FIG. 7 is a bottom plan view thereof.

The broken line showing of the top finial in FIGS. 1 and 2, of the handle apertures in FIGS. 1, 2 and 4, and of the apertures in FIG. 7 are for purposes of illustration only and form no part of the claimed design.

**1 Claim, 7 Drawing Sheets**

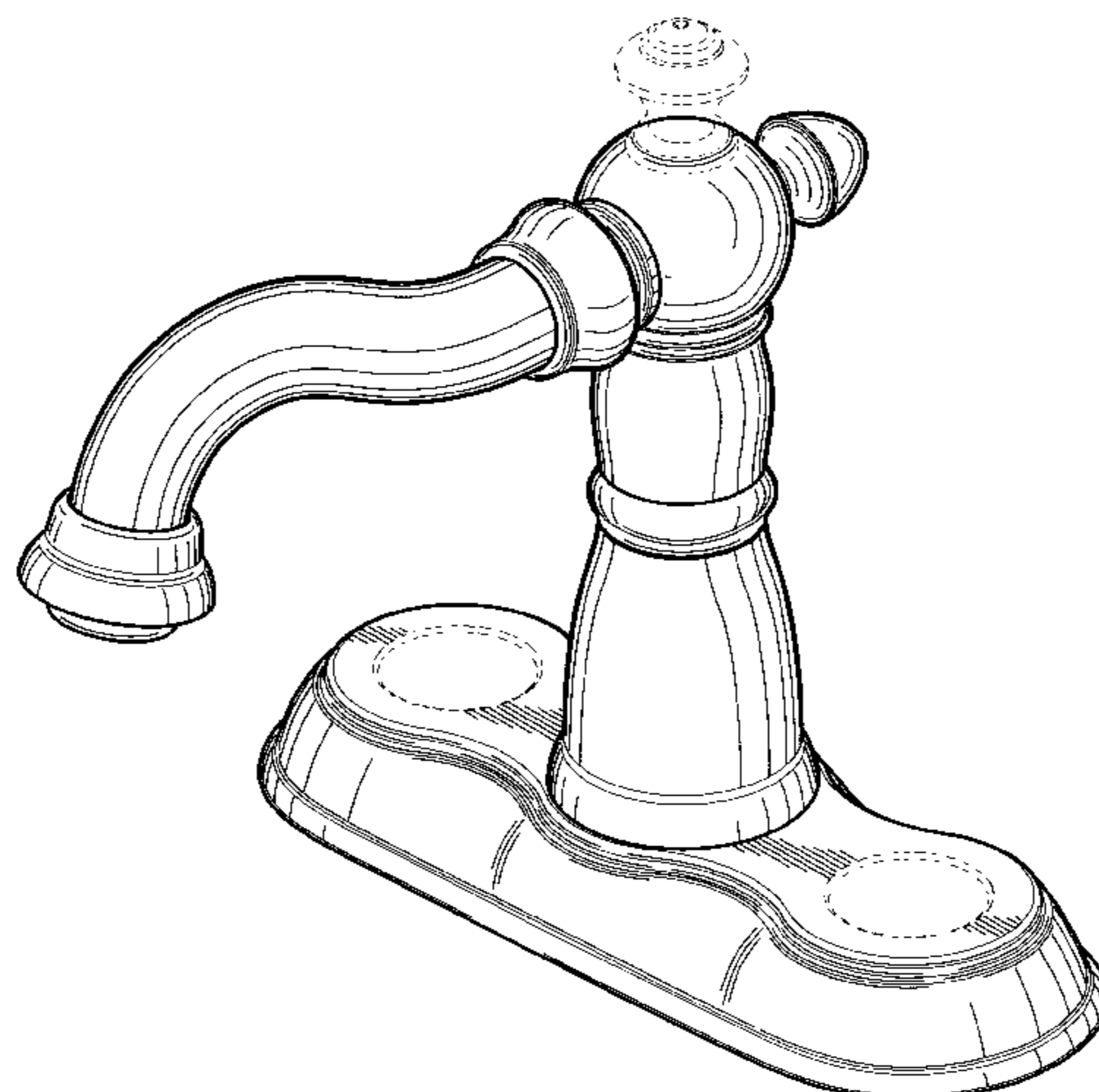


Figure - 1

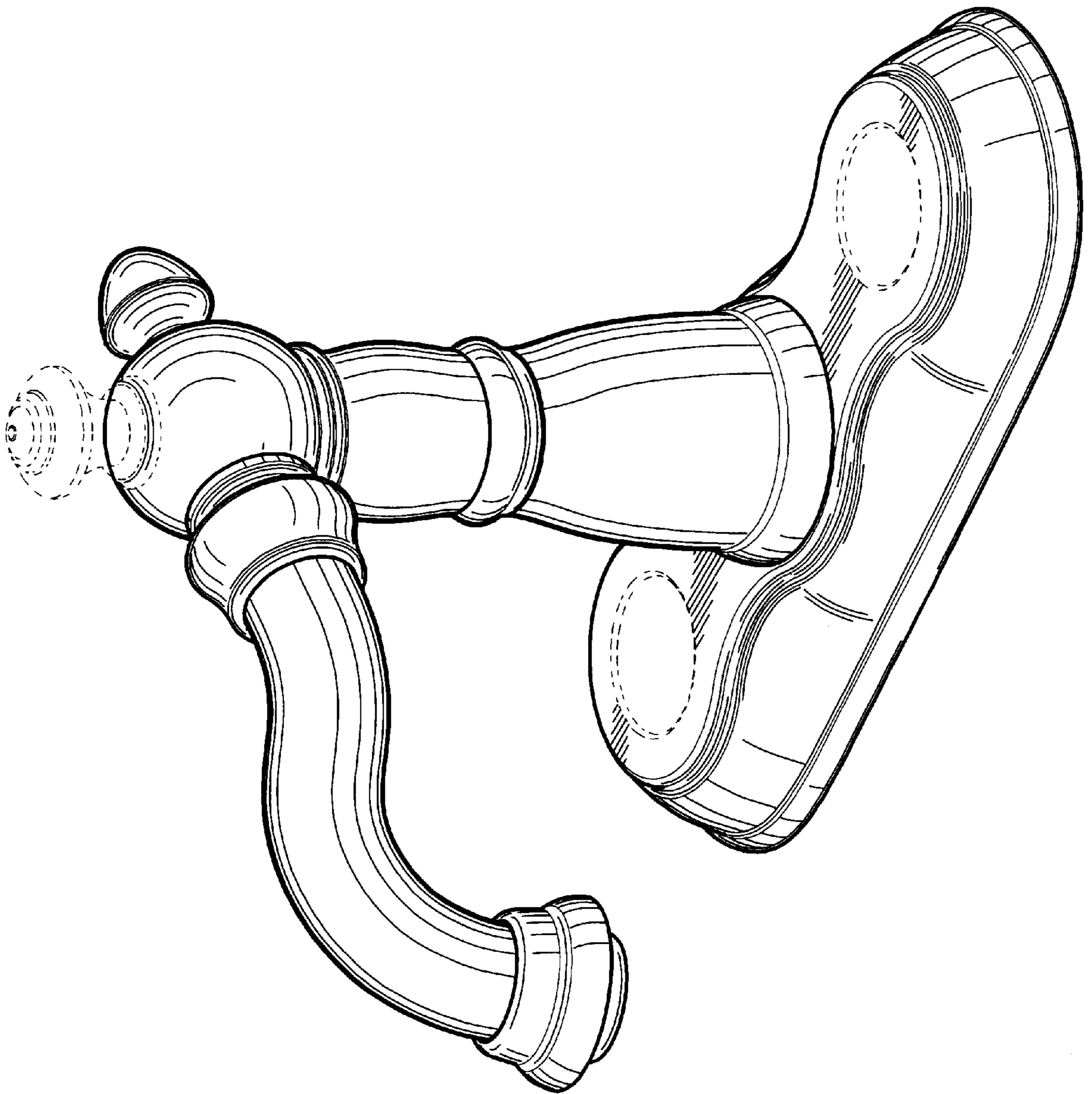
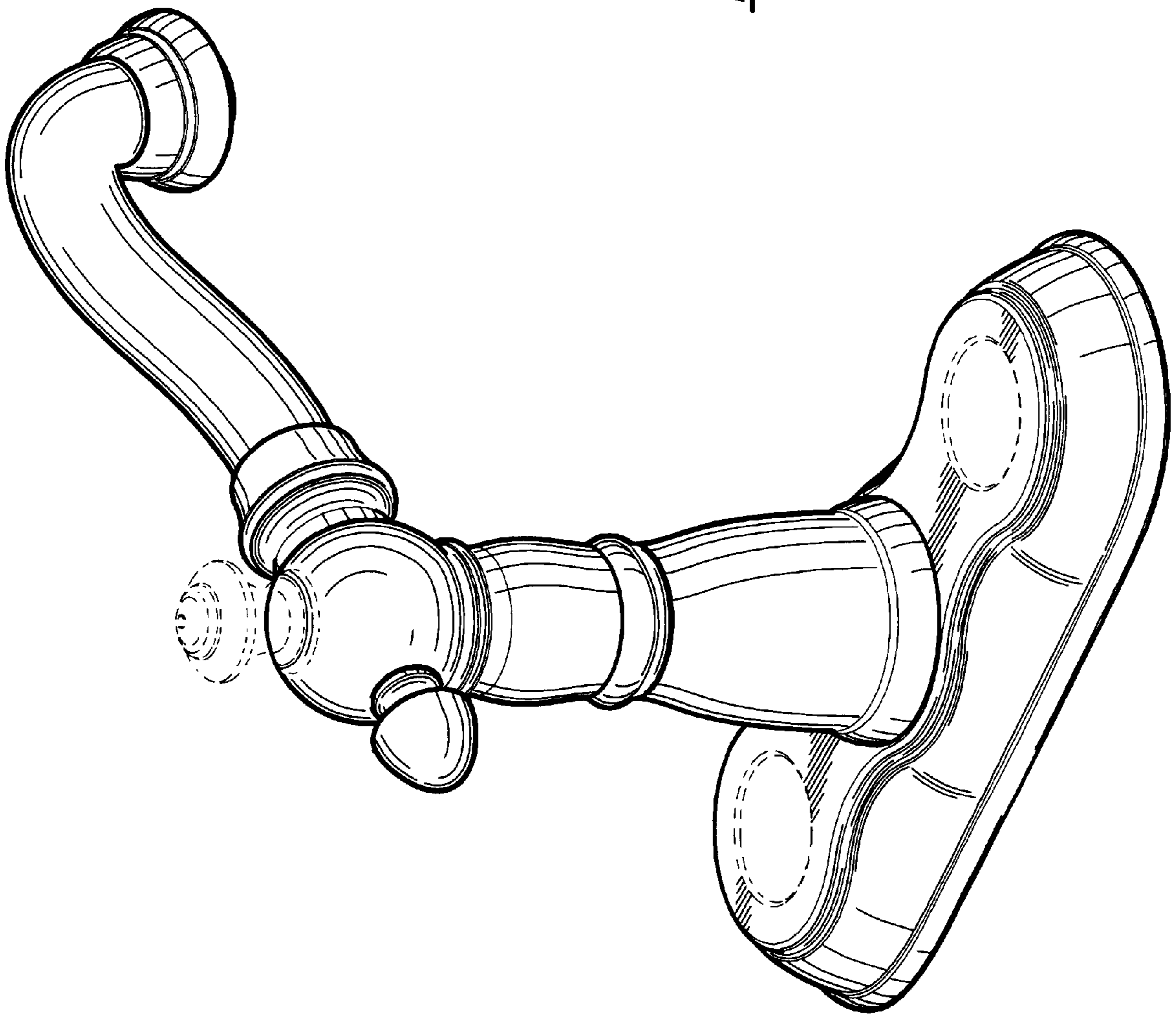


Figure - 2



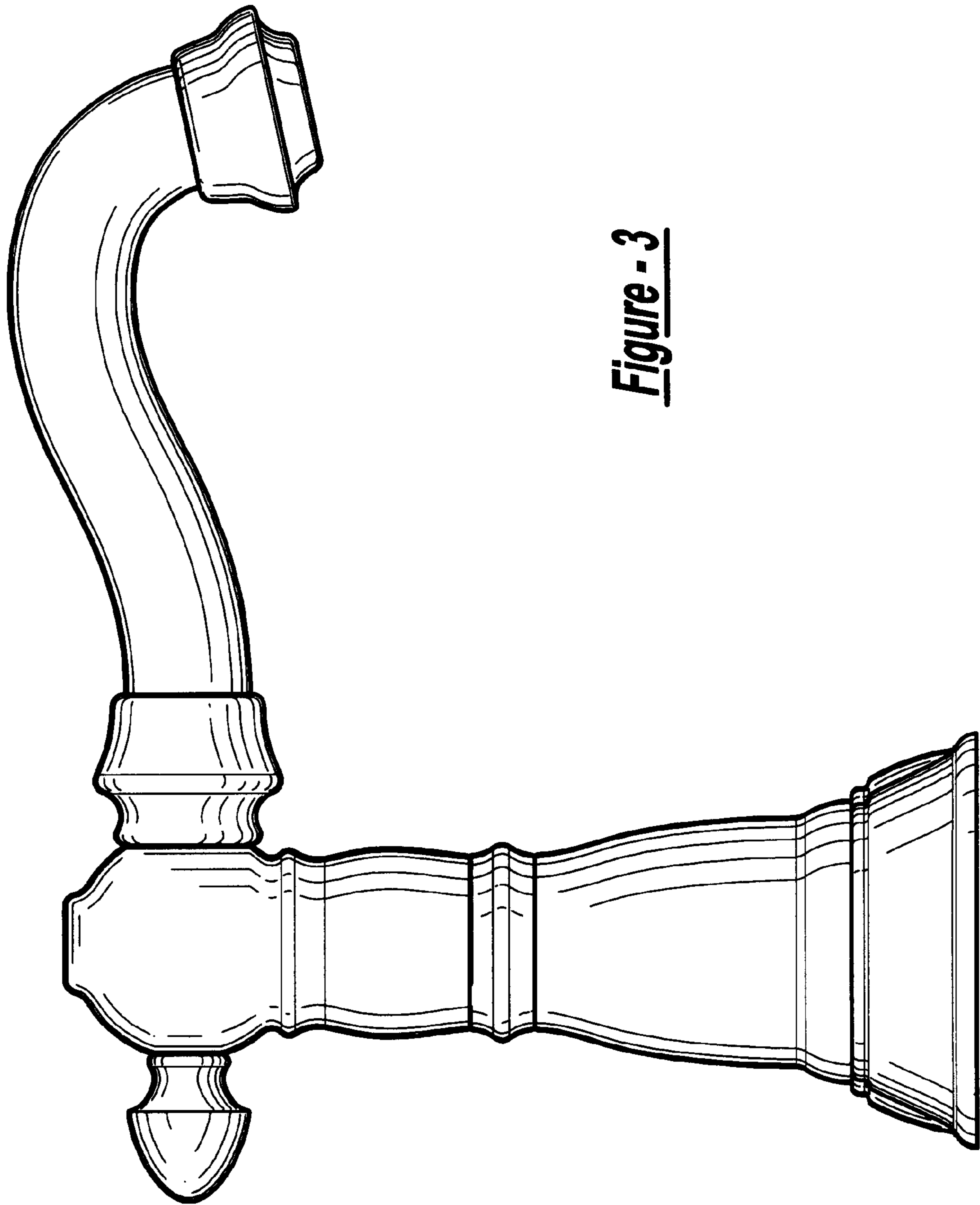
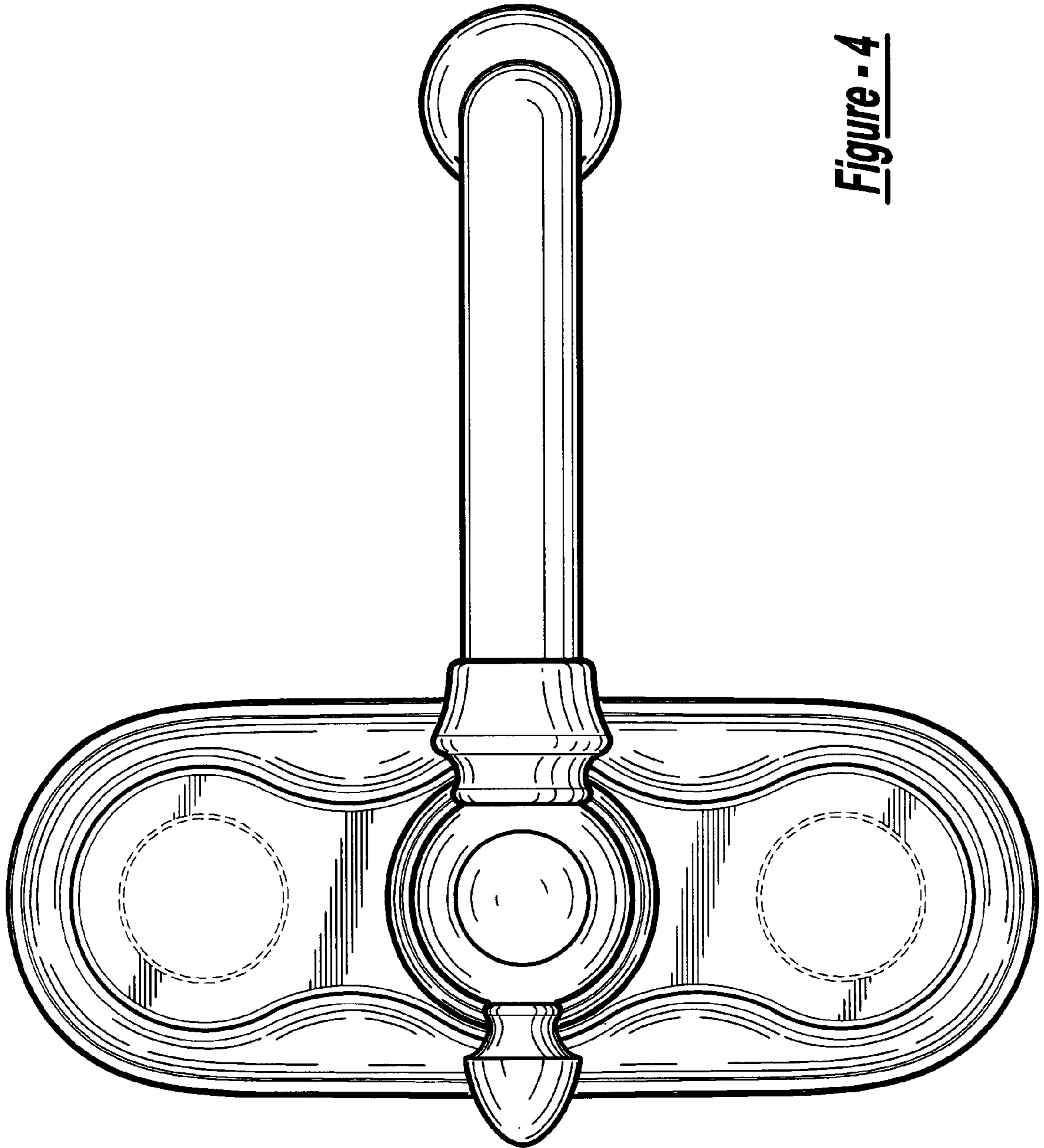


Figure - 3





**Figure - 4**

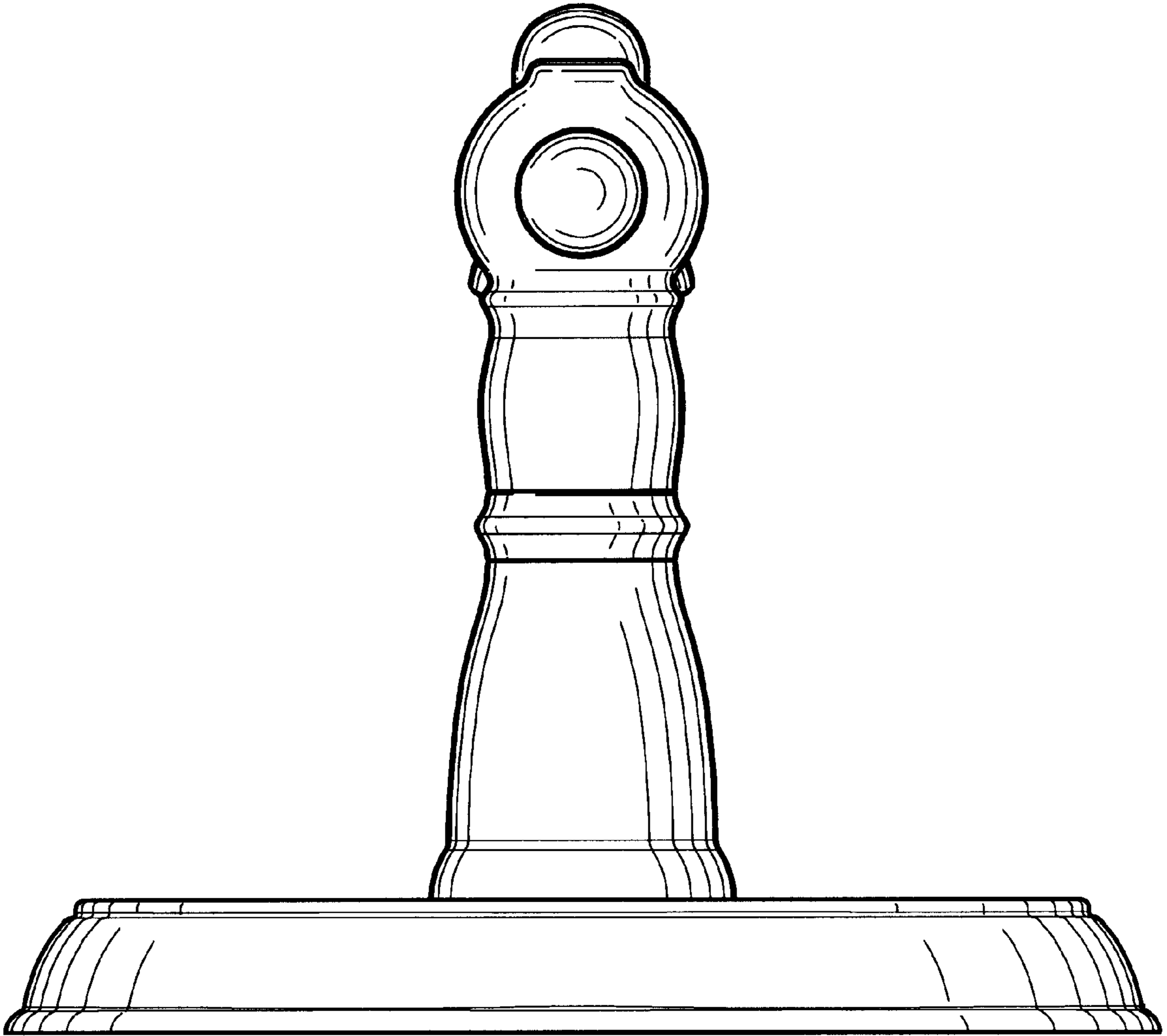
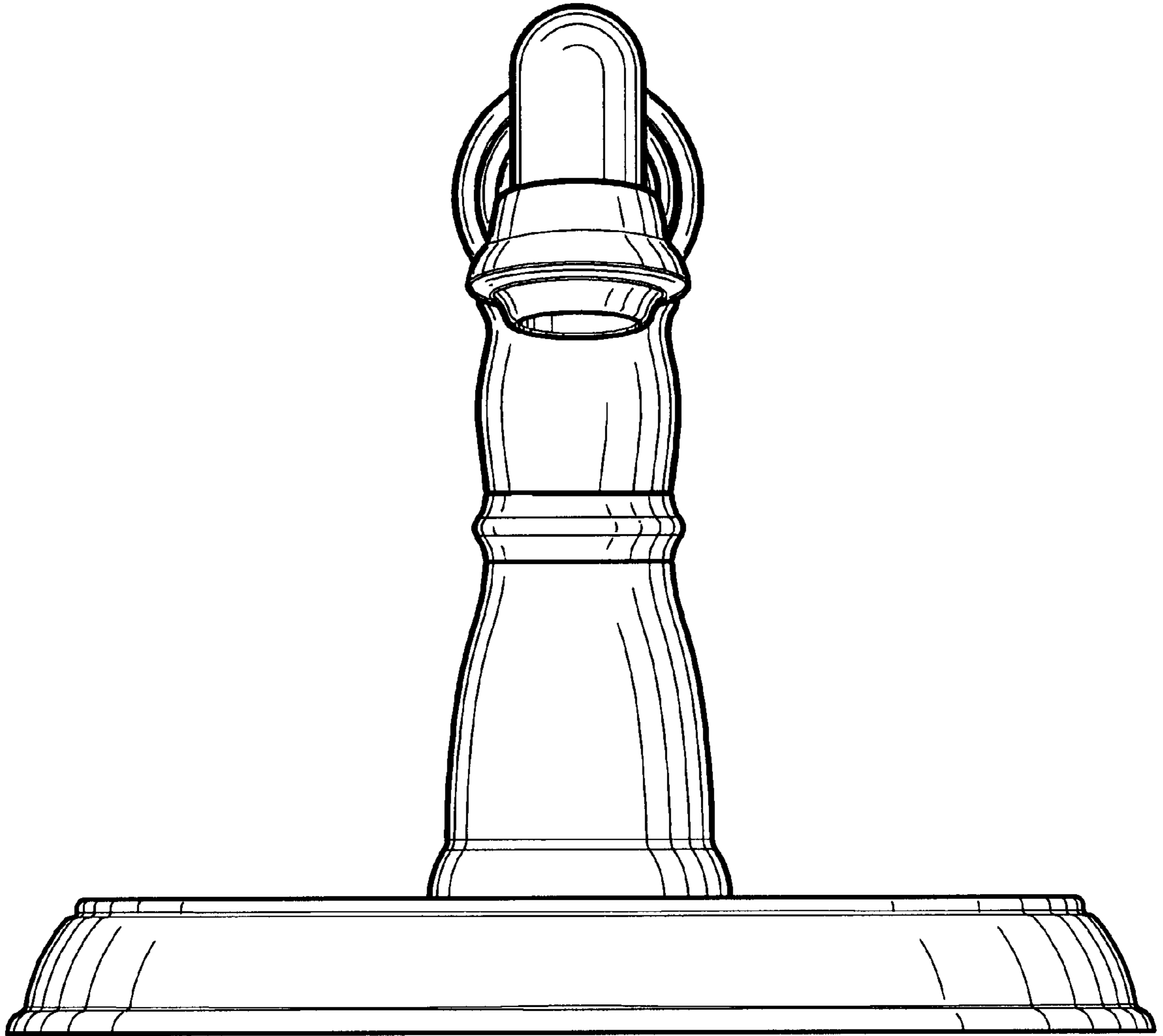
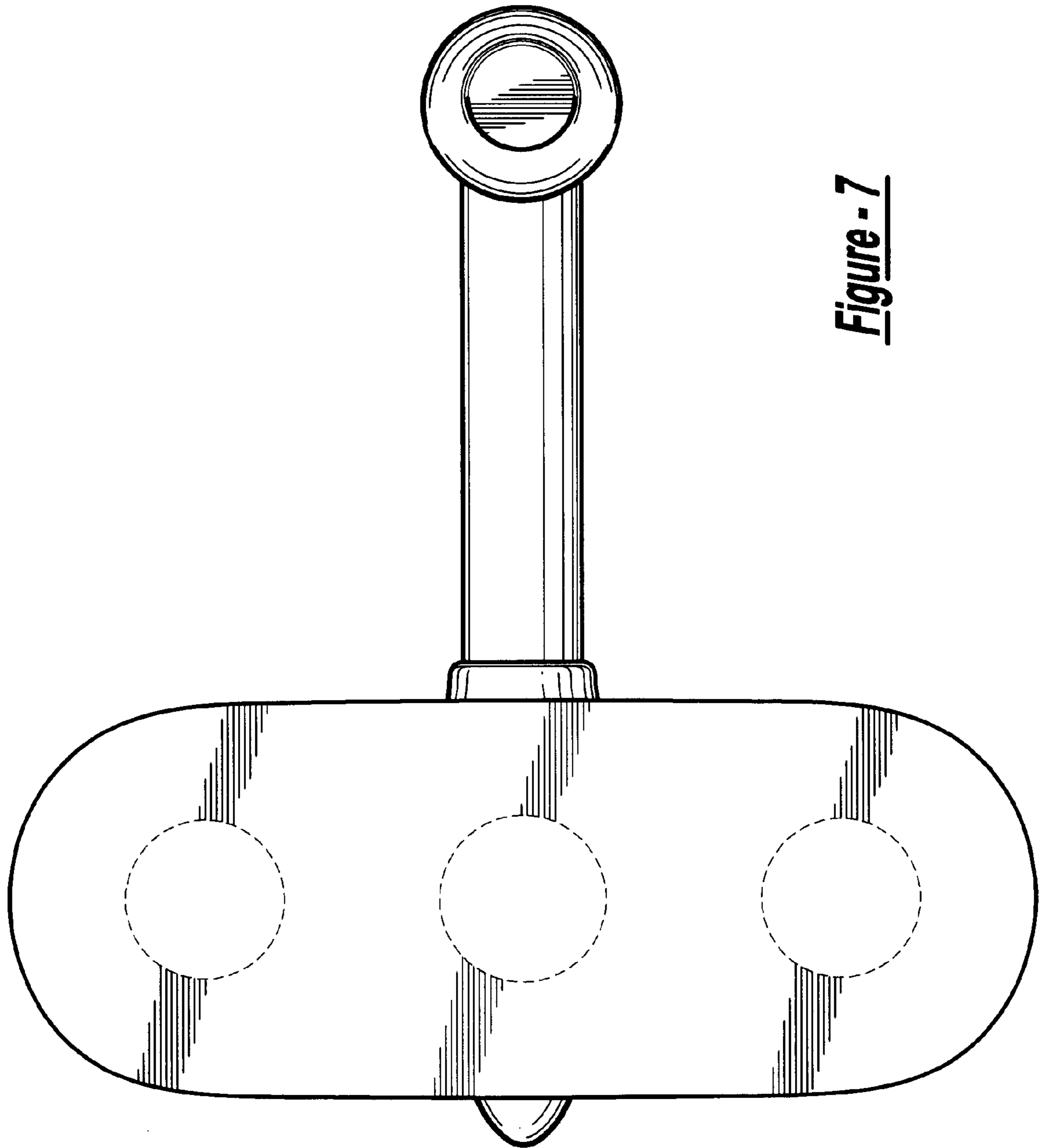


Figure - 5



**Figure - 6**



**Figure - 7**