



US00D462743S

(12) **United States Design Patent** (10) **Patent No.:** **US D462,743 S**  
**Lord** (45) **Date of Patent:** **\*\* Sep. 10, 2002**

- (54) **FAUCET**
- (75) Inventor: **Judd A. Lord**, Carmel, IN (US)
- (73) Assignee: **Masco Corporation of Indiana**, Indianapolis, IN (US)
- (\*\*) Term: **14 Years**
- (21) Appl. No.: **29/136,761**
- (22) Filed: **Feb. 7, 2001**
- (51) **LOC (7) Cl.** ..... **23-01**
- (52) **U.S. Cl.** ..... **D23/241; D23/238**
- (58) **Field of Search** ..... **D23/238-257; 4/675-678; 137/801**

- U.S. patent application Ser. No. 29/136,763 filed Feb. 7, 2001.
- U.S. patent application Ser. No. 29/136,769 filed Feb. 7, 2001.
- U.S. patent application Ser. No. 29/136,805 filed Feb. 7, 2001.
- U.S. patent application Ser. No. 29/136,782 filed Feb. 7, 2001.
- U.S. patent application Ser. No. 29/136,839 filed Feb. 7, 2001.
- U.S. patent application Ser. No. 29/136,845 filed Feb. 7, 2001.
- U.S. patent application Ser. No. 29/136,766 filed Feb. 7, 2001.
- U.S. patent application Ser. No. 29/136,773 filed Feb. 7, 2001.

(56) **References Cited**

**U.S. PATENT DOCUMENTS**

D287,395 S	*	12/1986	Piesco .....	D23/255
D318,099 S	*	7/1991	Reid et al. ....	D23/255
D375,345 S	*	11/1996	Warshawsky .....	D23/241
D377,516 S	*	1/1997	Doughty et al. ....	D23/241
D407,466 S	*	3/1999	Hundley et al. ....	D23/252
D438,292 S	*	2/2001	Lord .....	D23/249

**OTHER PUBLICATIONS**

- U.S. patent application Ser. No. 29/136,750 filed Feb. 7, 2001.
- U.S. patent application Ser. No. 29/136,756 filed Feb. 7, 2001.
- U.S. patent application Ser. No. 29/136,836 filed Feb. 7, 2001.
- U.S. patent application Ser. No. 29/136,760 filed Feb. 7, 2001.
- U.S. patent application Ser. No. 29/136,804 filed Feb. 7, 2001.
- U.S. patent application Ser. No. 29/136,833 filed Feb. 7, 2001.
- U.S. patent application Ser. No. 29/136,765 filed Feb. 7, 2001.
- U.S. patent application Ser. No. 29/136,752 filed Feb. 7, 2001.

\* cited by examiner

*Primary Examiner*—Louis S. Zarfaz  
*Assistant Examiner*—Gregory Andoll  
(74) *Attorney, Agent, or Firm*—Myron B. Kapustij; Lloyd D. Doigan

(57) **CLAIM**

The ornamental design for a faucet, as shown and described.

**DESCRIPTION**

FIG. 1 is a front perspective view of the faucet showing my new design;  
FIG. 2 is a rear perspective view thereof;  
FIG. 3 is a left side elevational view thereof, the right side being a mirror image;  
FIG. 4 is a top plan view thereof;  
FIG. 5 is a rear elevational view thereof;  
FIG. 6 is a front elevational view thereof; and,  
FIG. 7 is a bottom plan view thereof.  
The broken line showing of the top and rear finials in FIGS. 1 and 2, of the handle apertures in FIGS. 1, 2 and 4, and of the aperture in FIG. 7 are for purposes of illustration only and forms no part of the claimed design.

**1 Claim, 7 Drawing Sheets**



Figure - 1

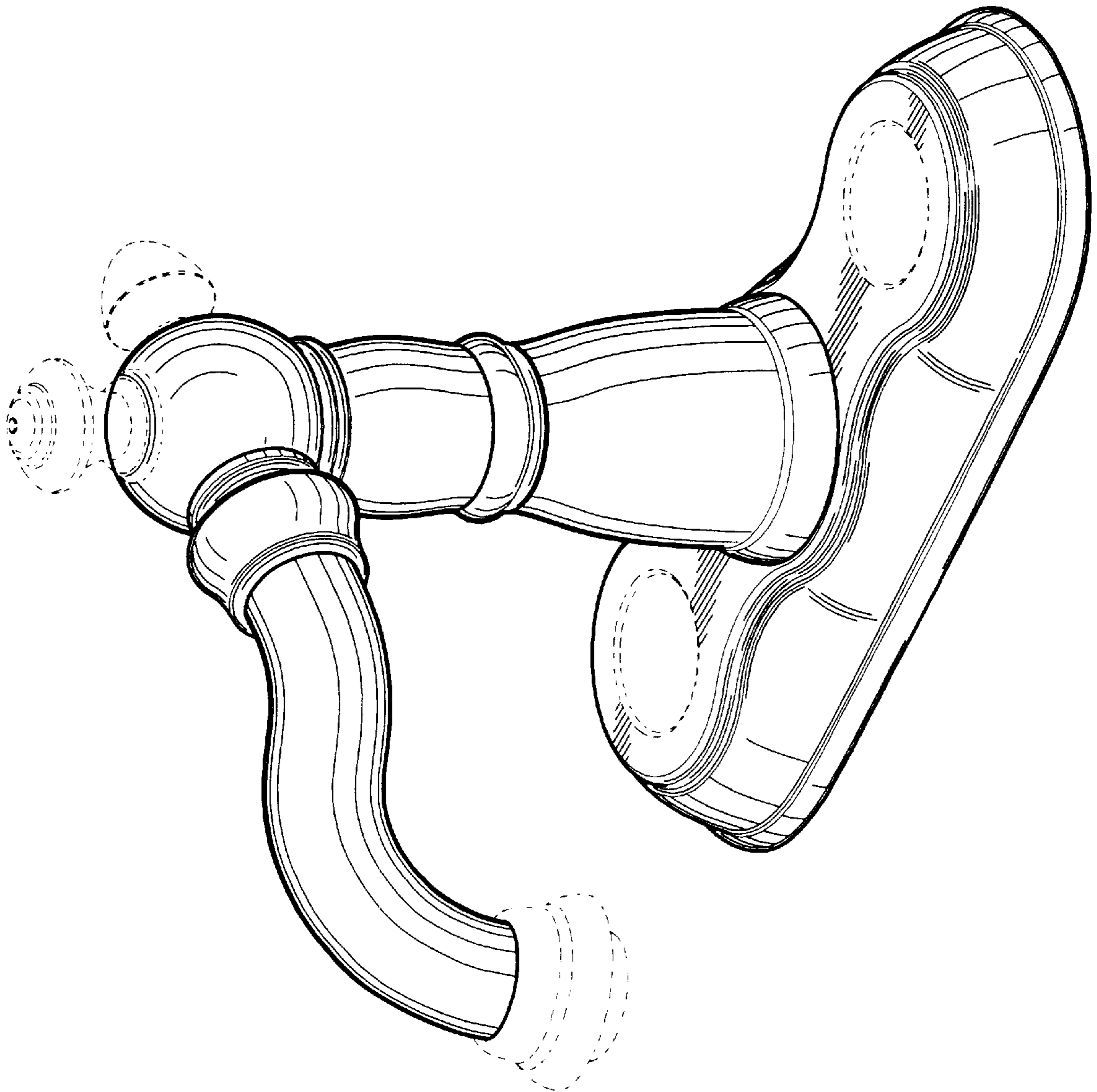
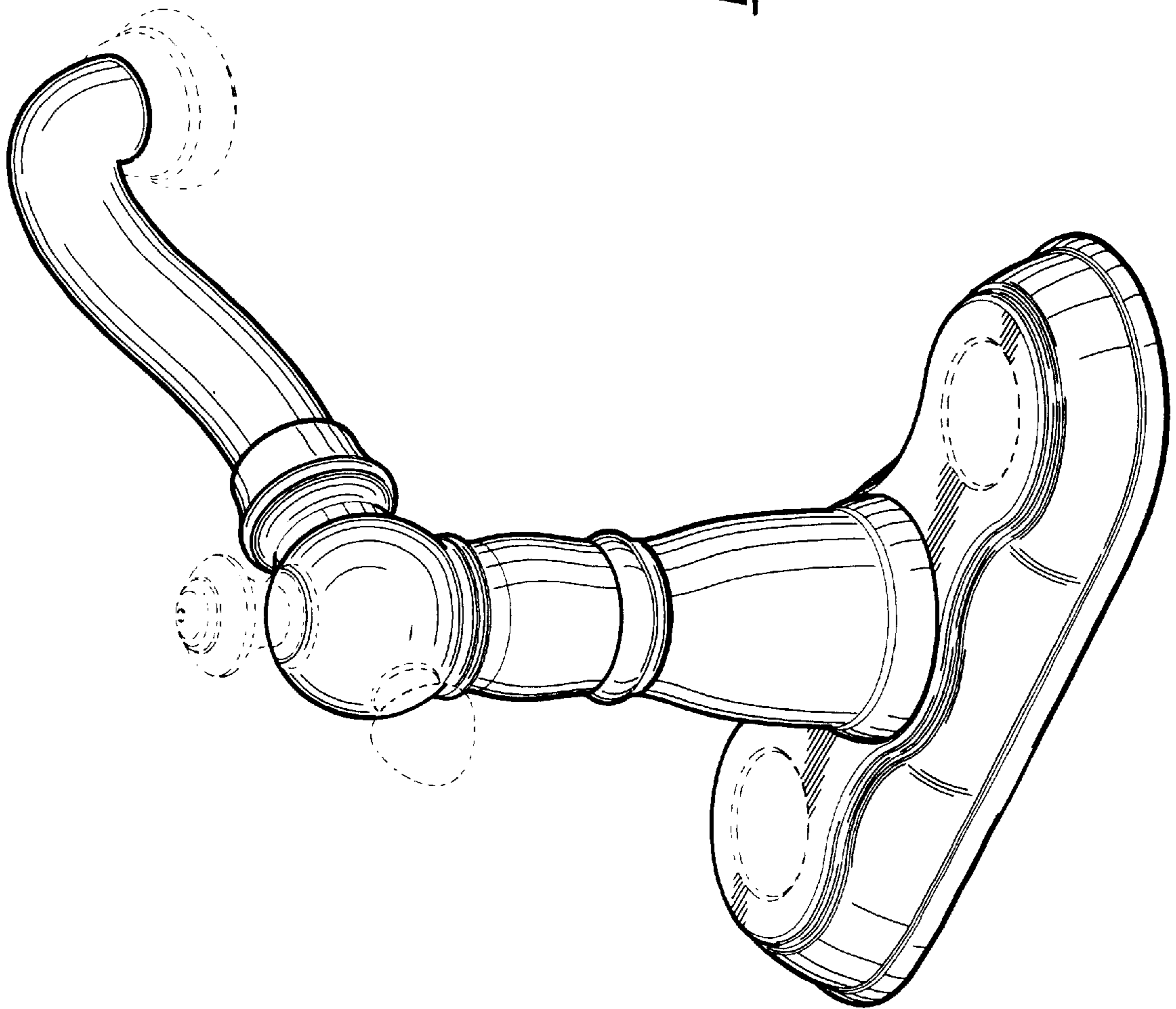


Figure - 2



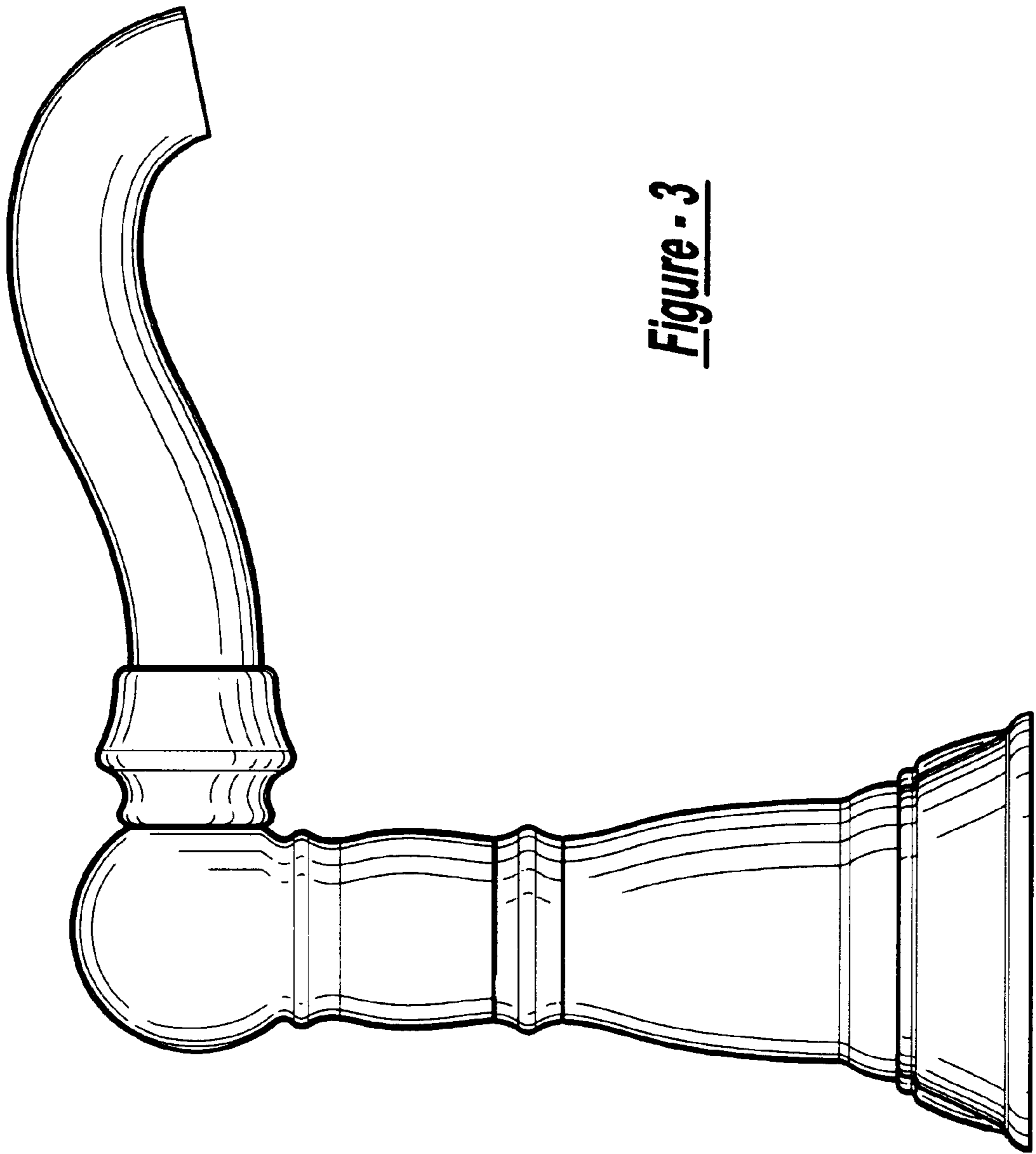
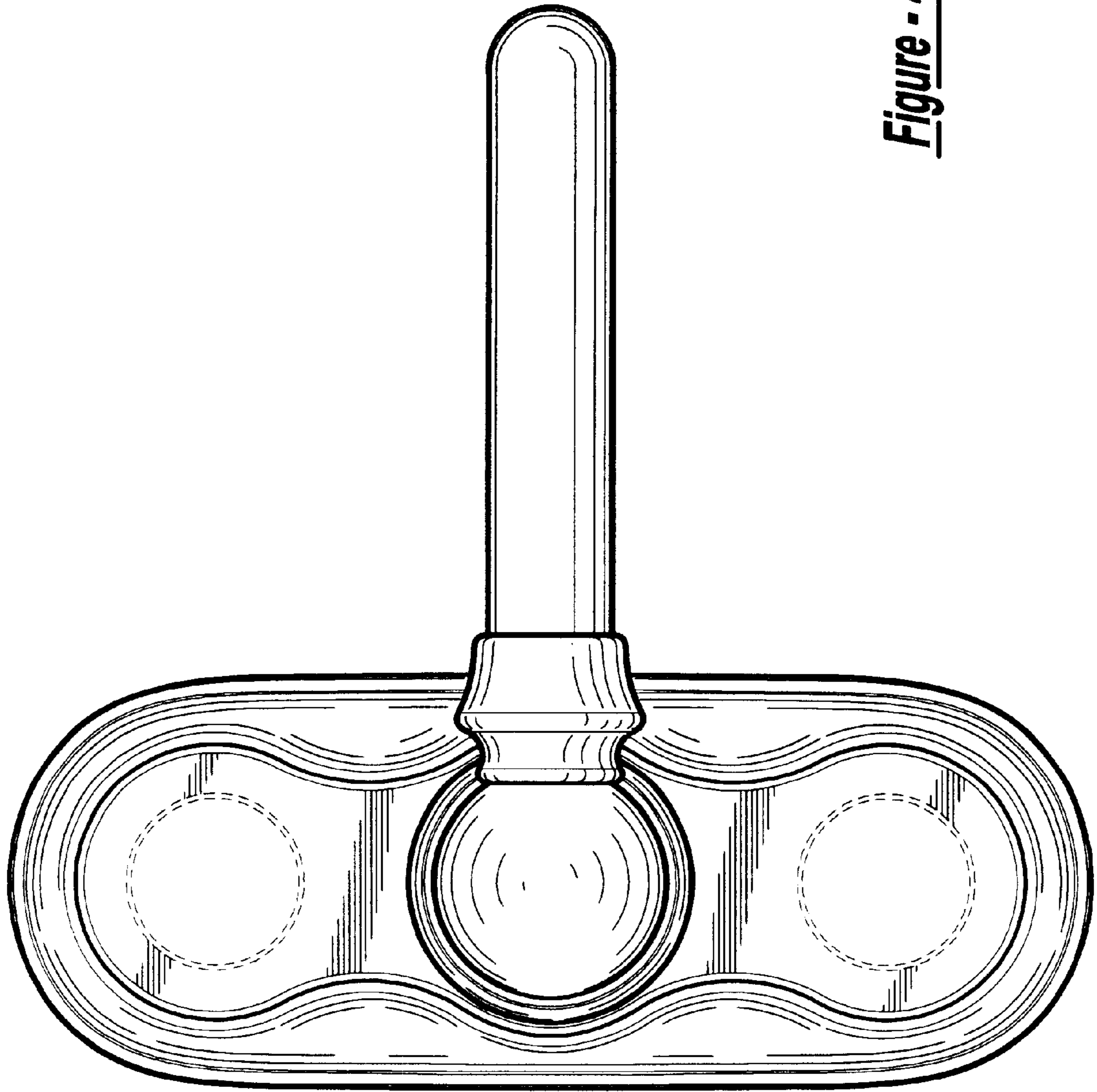


Figure - 3



**Figure - 4**

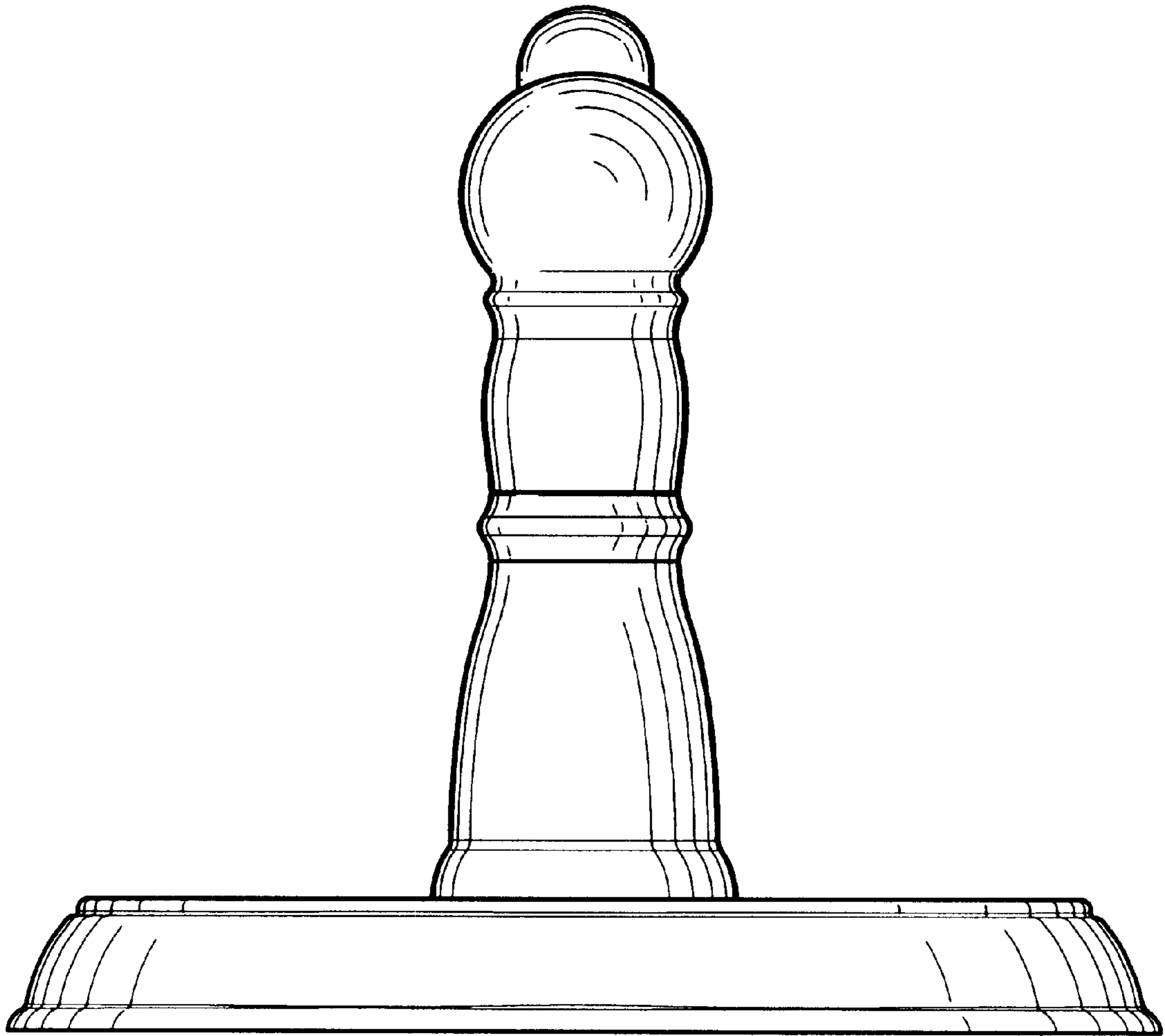


Figure - 5

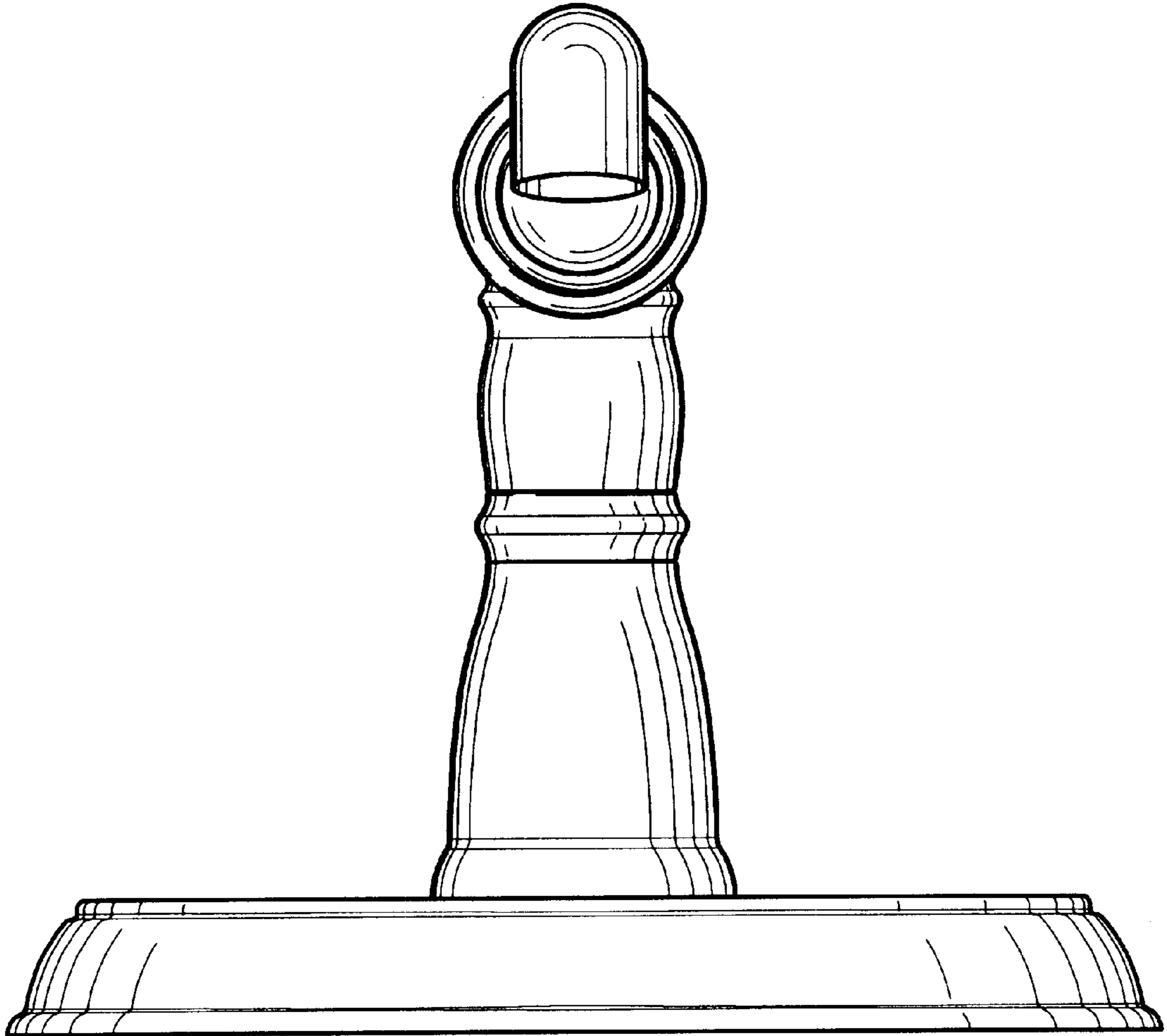


Figure - 6

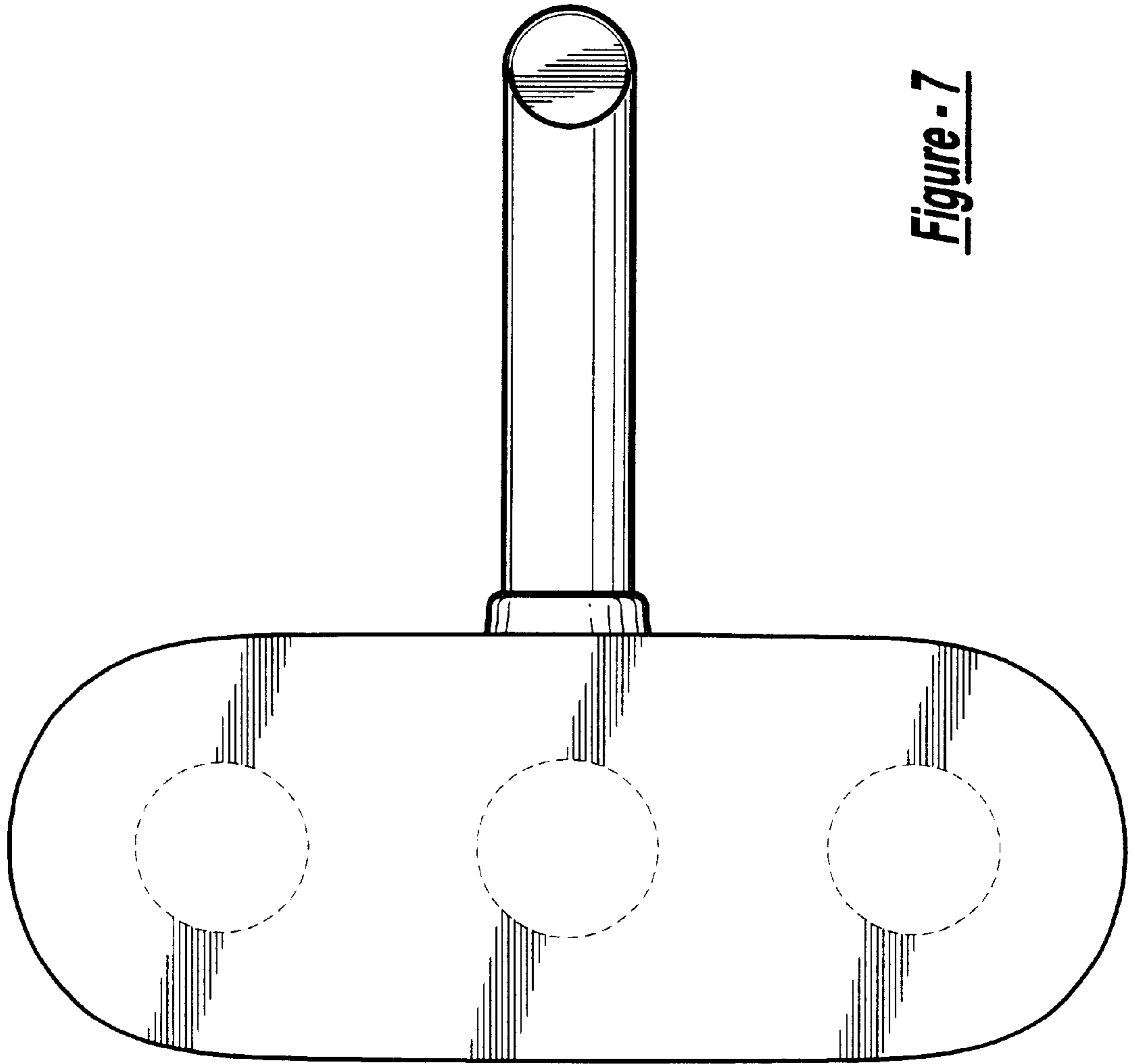


Figure - 7