



US00D462742S

(12) **United States Design Patent**
Lord

(10) **Patent No.:** **US D462,742 S**

(45) **Date of Patent:** **** Sep. 10, 2002**

(54) **FAUCET**

(75) **Inventor:** **Judd A. Lord, Carmel, IN (US)**

(73) **Assignee:** **Masco Corporation of Indiana, Indianapolis, IN (US)**

(**) **Term:** **14 Years**

(21) **Appl. No.:** **29/136,752**

(22) **Filed:** **Feb. 7, 2001**

(51) **LOC (7) Cl.** **23-01**

(52) **U.S. Cl.** **D23/241; D23/238; D23/242**

(58) **Field of Search** **D23/238-257; 4/675-678; 137/801**

(56) **References Cited**

U.S. PATENT DOCUMENTS

| | | | | | |
|------------|---|---------|----------------|-------|---------|
| D287,395 S | * | 12/1986 | Piesco | | D23/255 |
| D318,099 S | * | 7/1991 | Reid et al. | | D23/255 |
| D375,345 S | * | 11/1996 | Warshawsky | | D23/241 |
| D377,516 S | * | 1/1997 | Doughty et al. | | D23/241 |
| D407,466 S | * | 3/1999 | Hundley et al. | | D23/252 |
| D433,106 S | | 10/2000 | Spangler | | |
| D433,735 S | | 11/2000 | Lord | | |
| D434,118 S | | 11/2000 | Lord | | |
| D436,397 S | | 1/2001 | Lord | | |
| D438,292 S | * | 2/2001 | Lord | | D23/249 |
| D439,954 S | | 4/2001 | Spangler | | |
| D439,955 S | | 4/2001 | Spangler | | |

OTHER PUBLICATIONS

- U.S. patent application Ser. No. 29/136,750 filed Feb. 7, 2001.
- U.S. patent application Ser. No. 29/136,756 filed Feb. 7, 2001.
- U.S. patent application Ser. No. 29/136,836 filed Feb. 7, 2001.
- U.S. patent application Ser. No. 29/136,760 filed Feb. 7, 2001.
- U.S. patent application Ser. No. 29/136,804 filed Feb. 7, 2001.
- U.S. patent application Ser. No. 29/136,833 filed Feb. 7, 2001.

- U.S. patent application Ser. No. 29/136,765 filed Feb. 7, 2001.
- U.S. patent application Ser. No. 29/136,761 filed Feb. 7, 2001.
- U.S. patent application Ser. No. 29/136,763 filed Feb. 7, 2001.
- U.S. patent application Ser. No. 29/136,769 filed Feb. 7, 2001.
- U.S. patent application Ser. No. 29/136,805 filed Feb. 7, 2001.
- U.S. patent application Ser. No. 29/136,782 filed Feb. 7, 2001.
- U.S. patent application Ser. No. 29/136,839 filed Feb. 7, 2001.
- U.S. patent application Ser. No. 29/136,845 filed Feb. 7, 2001.
- U.S. patent application Ser. No. 29/136,766 filed Feb. 7, 2001.
- U.S. patent application Ser. No. 29/136,773 filed Feb. 7, 2001.

* cited by examiner

Primary Examiner—Louis S. Zarfes

Assistant Examiner—Gregory Andoll

(74) *Attorney, Agent, or Firm*—Myron B. Kapustij; Lloyd D. Doigan

(57) **CLAIM**

The ornamental design for a faucet, as shown and described.

DESCRIPTION

FIG. 1 is a front perspective view of the faucet showing my new design;
 FIG. 2 is a rear perspective view thereof;
 FIG. 3 is a left side elevational view thereof, the right side being a mirror image;
 FIG. 4 is a front elevational view thereof;
 FIG. 5 is a rear elevational view thereof;
 FIG. 6 is a top plan view thereof; and,
 FIG. 7 is a bottom plan view thereof.

The broken line showing of the top and rear finials in FIGS. 1 and 2, and of the apertures in FIG. 7 are for purposes of illustration only and form no part of the claimed design.

1 Claim, 7 Drawing Sheets

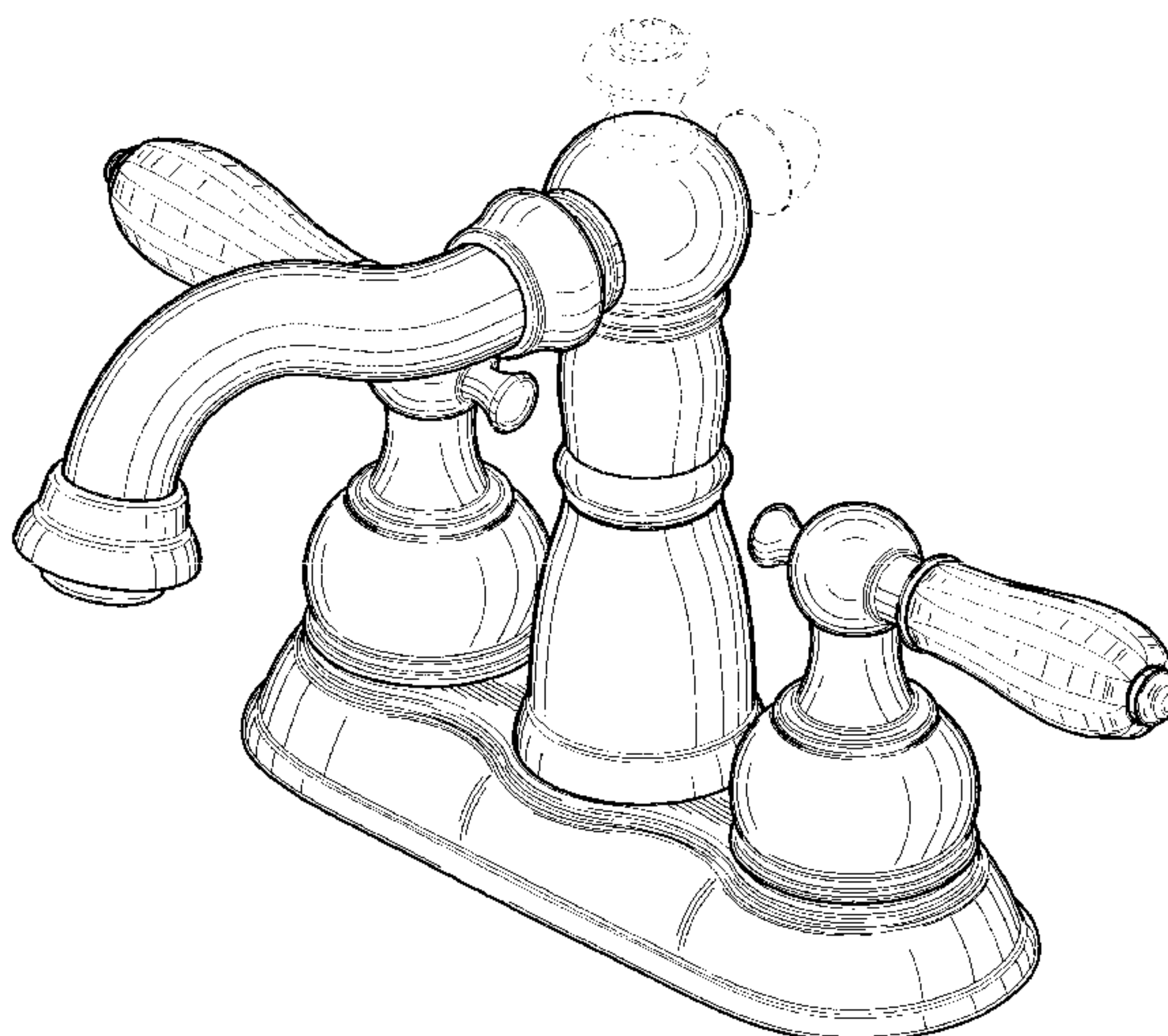


Figure - 1

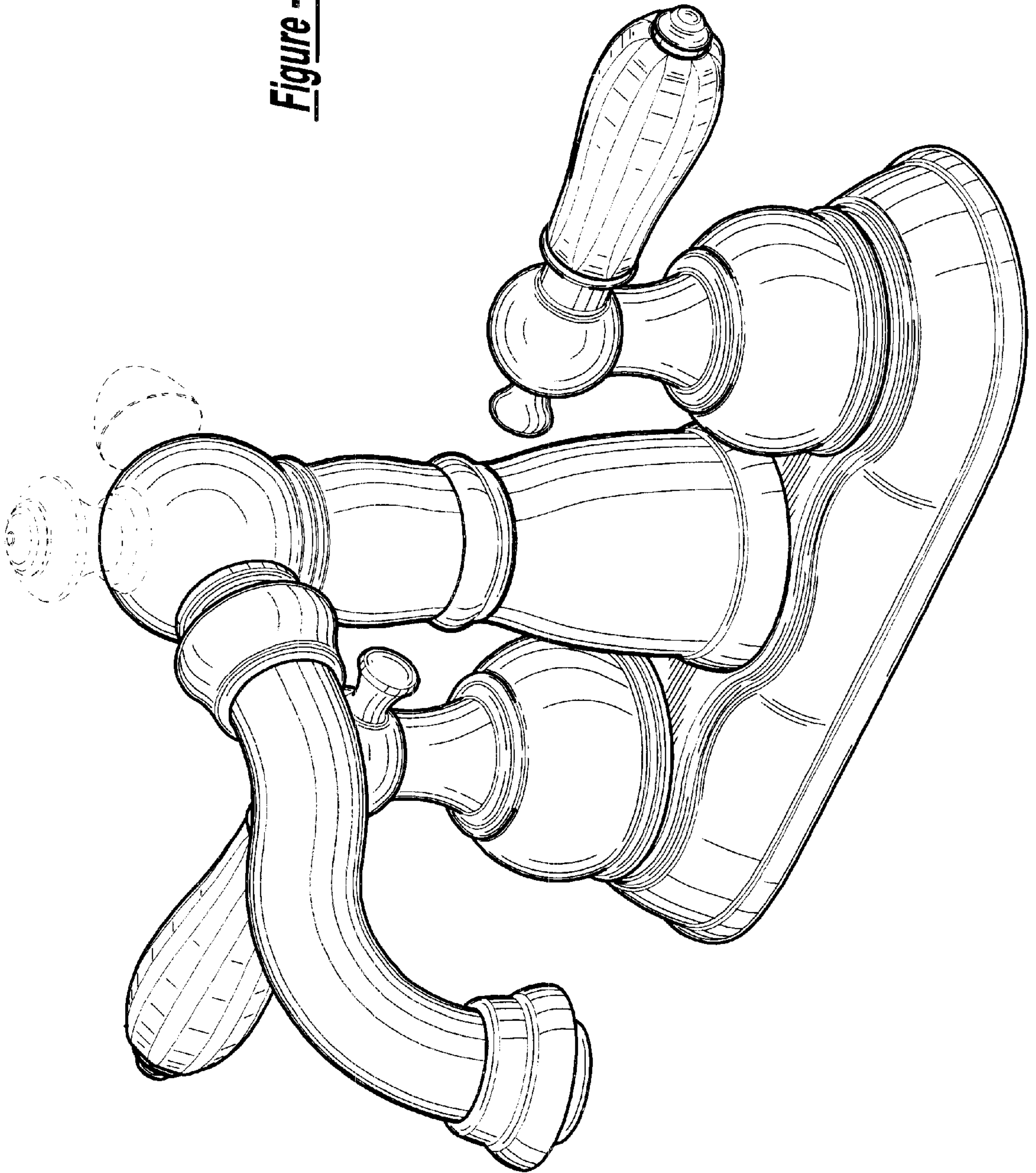
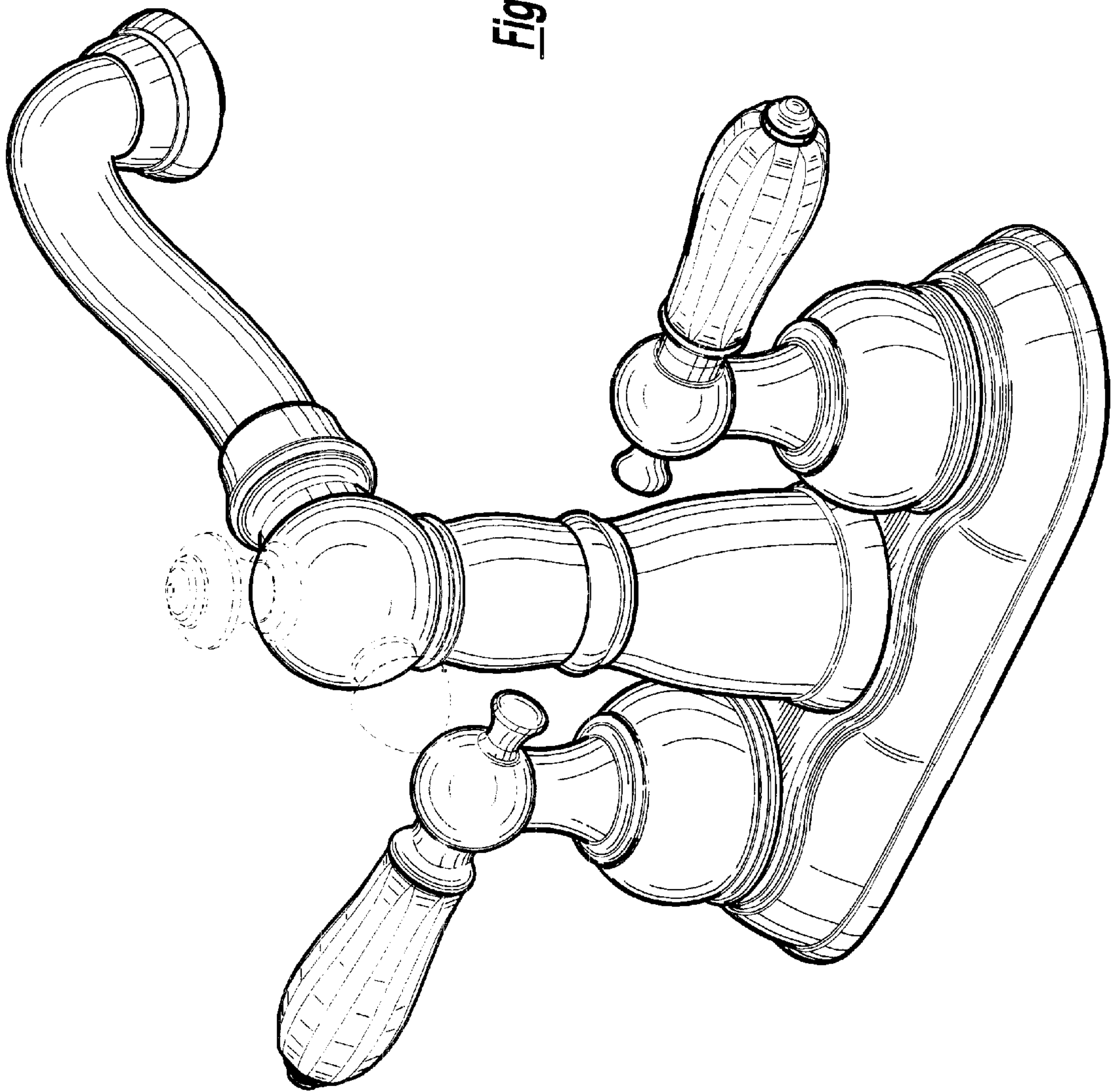


Figure - 2



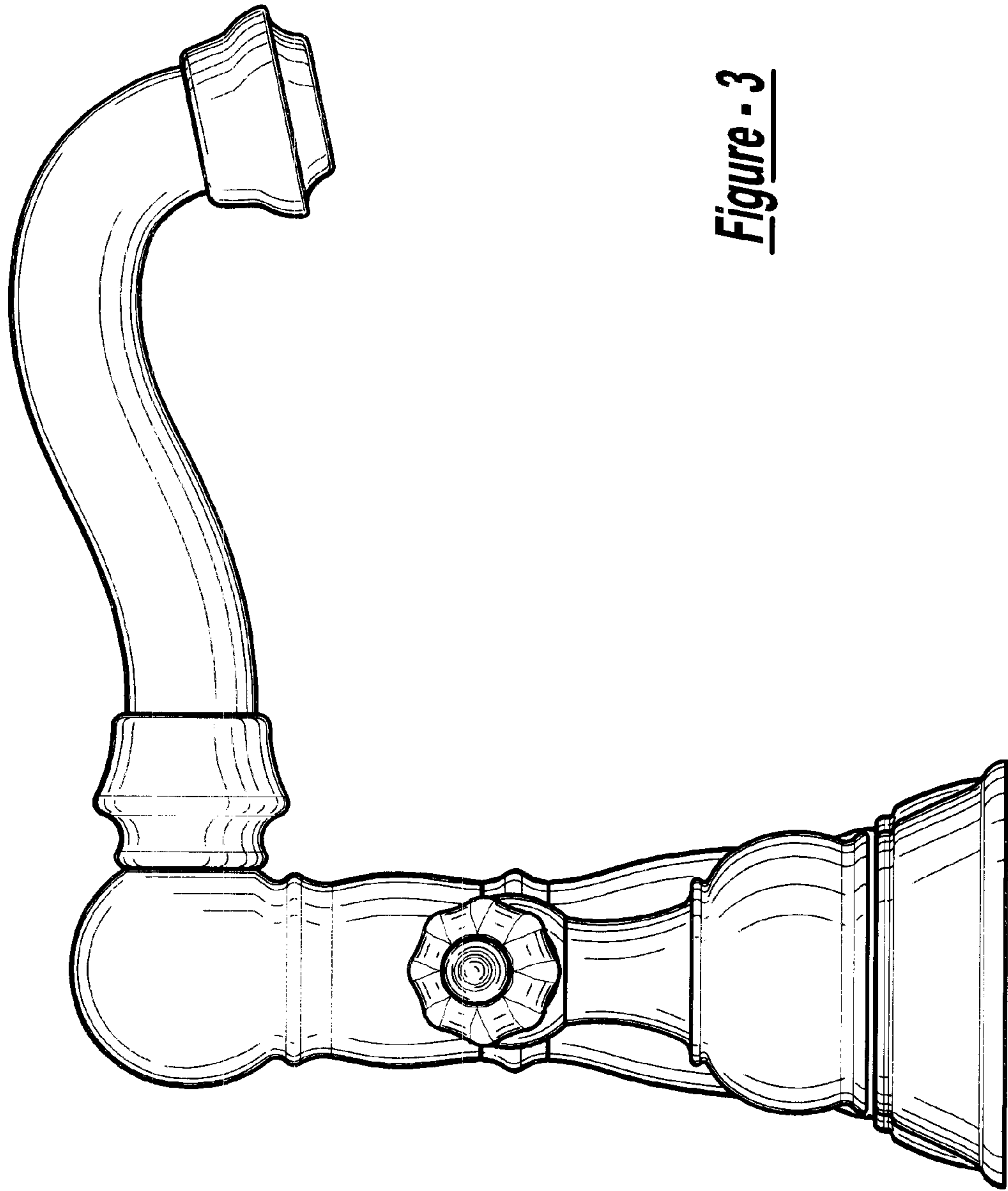


Figure - 3

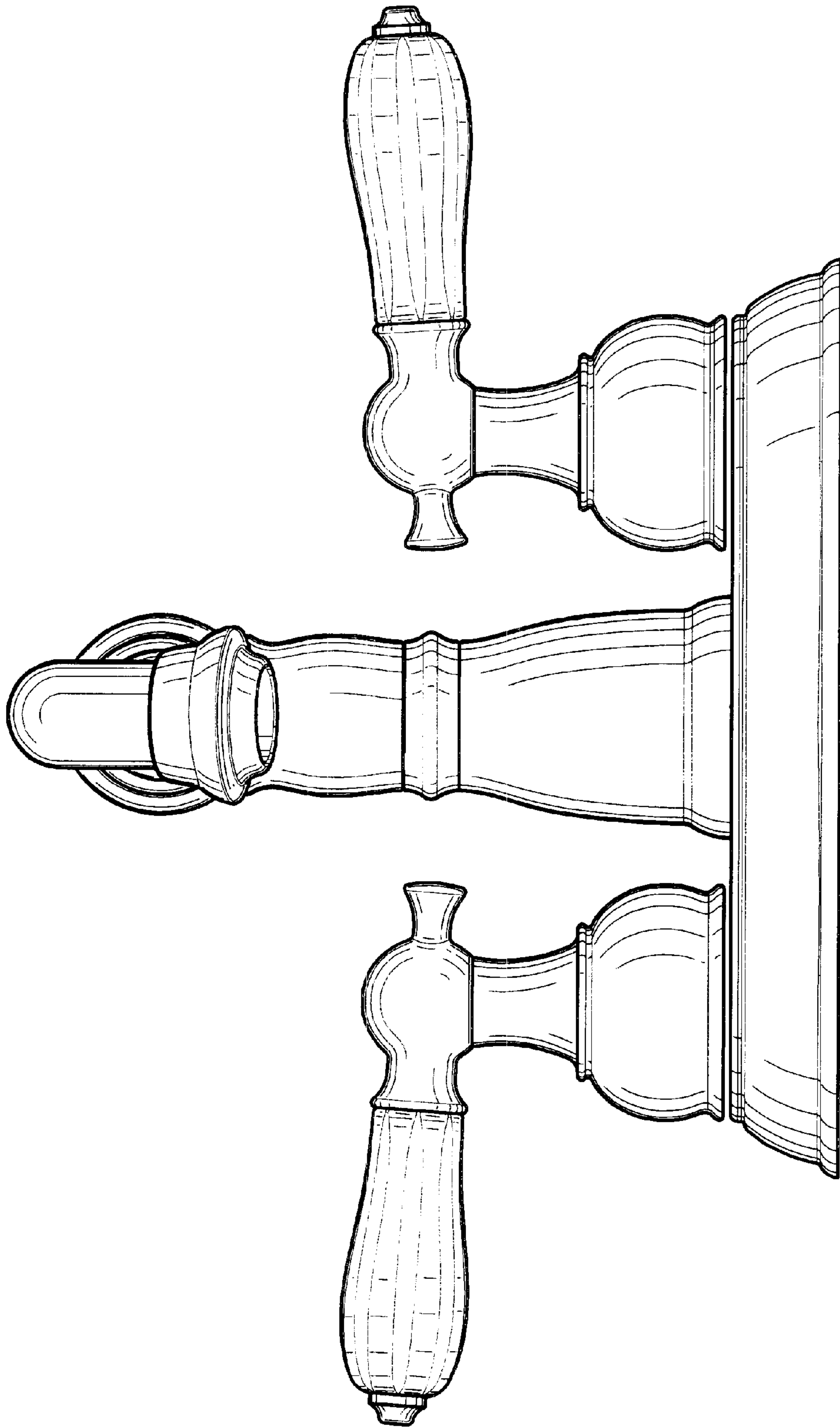


Figure - 4

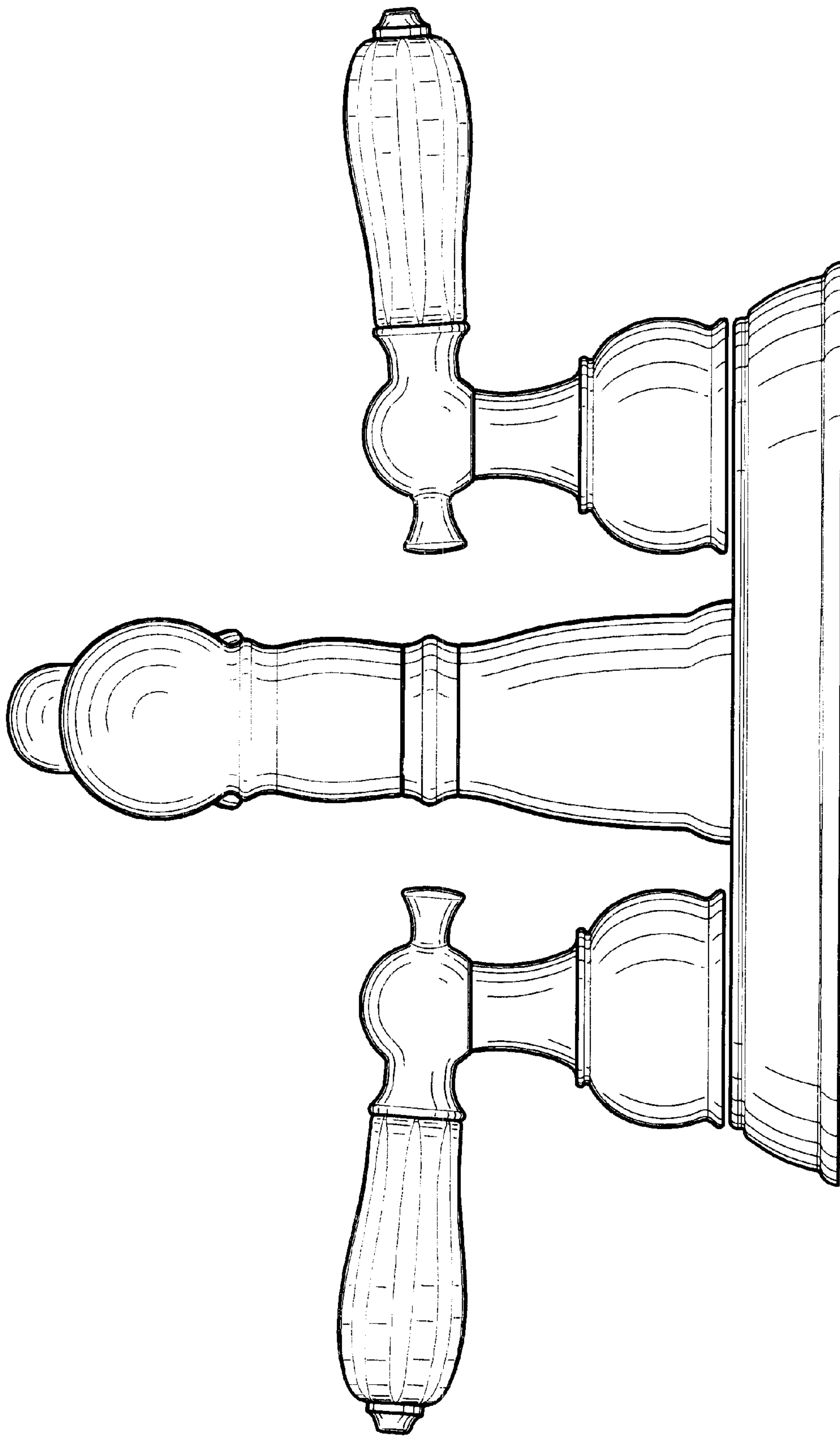


Figure - 5

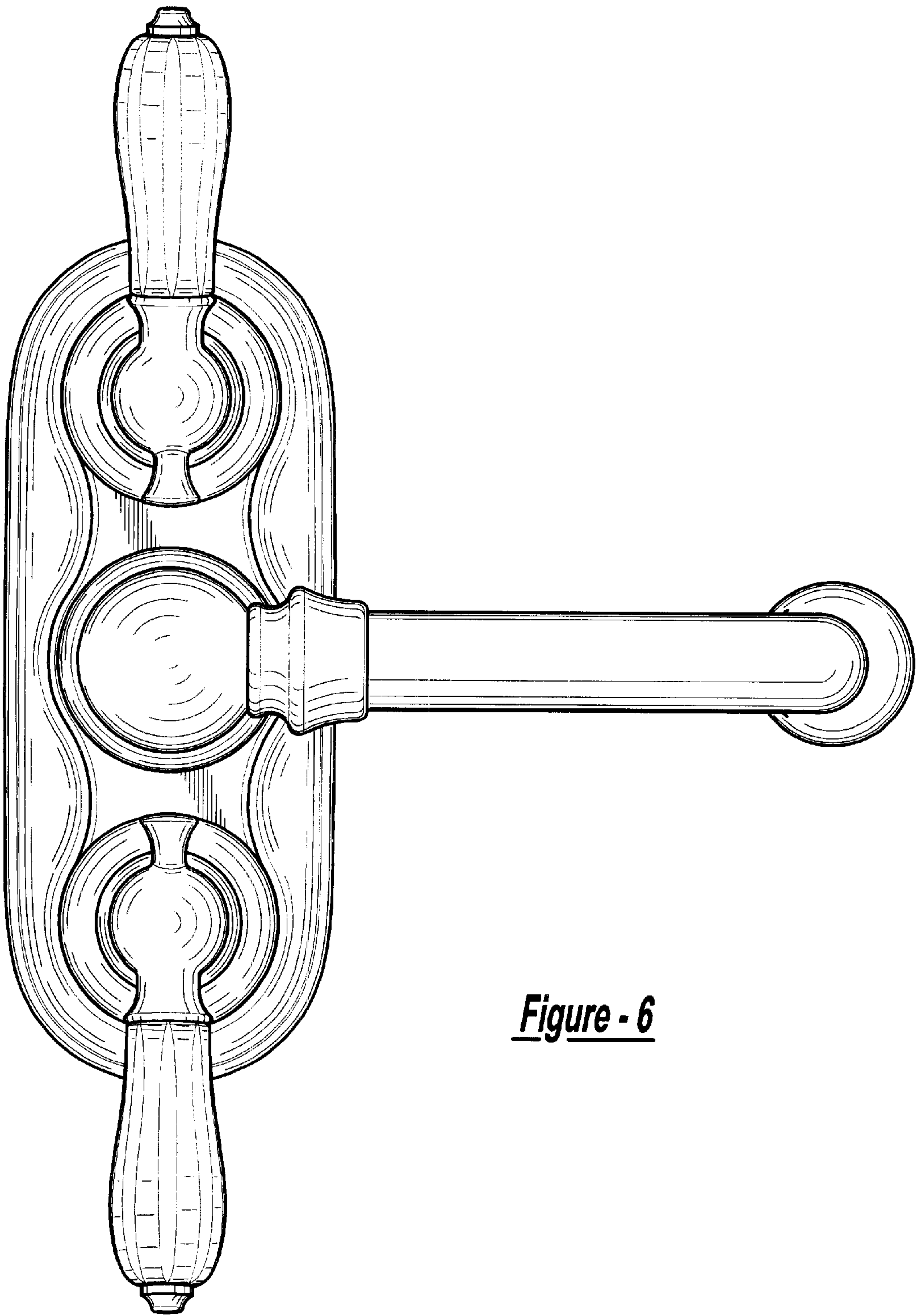


Figure - 6

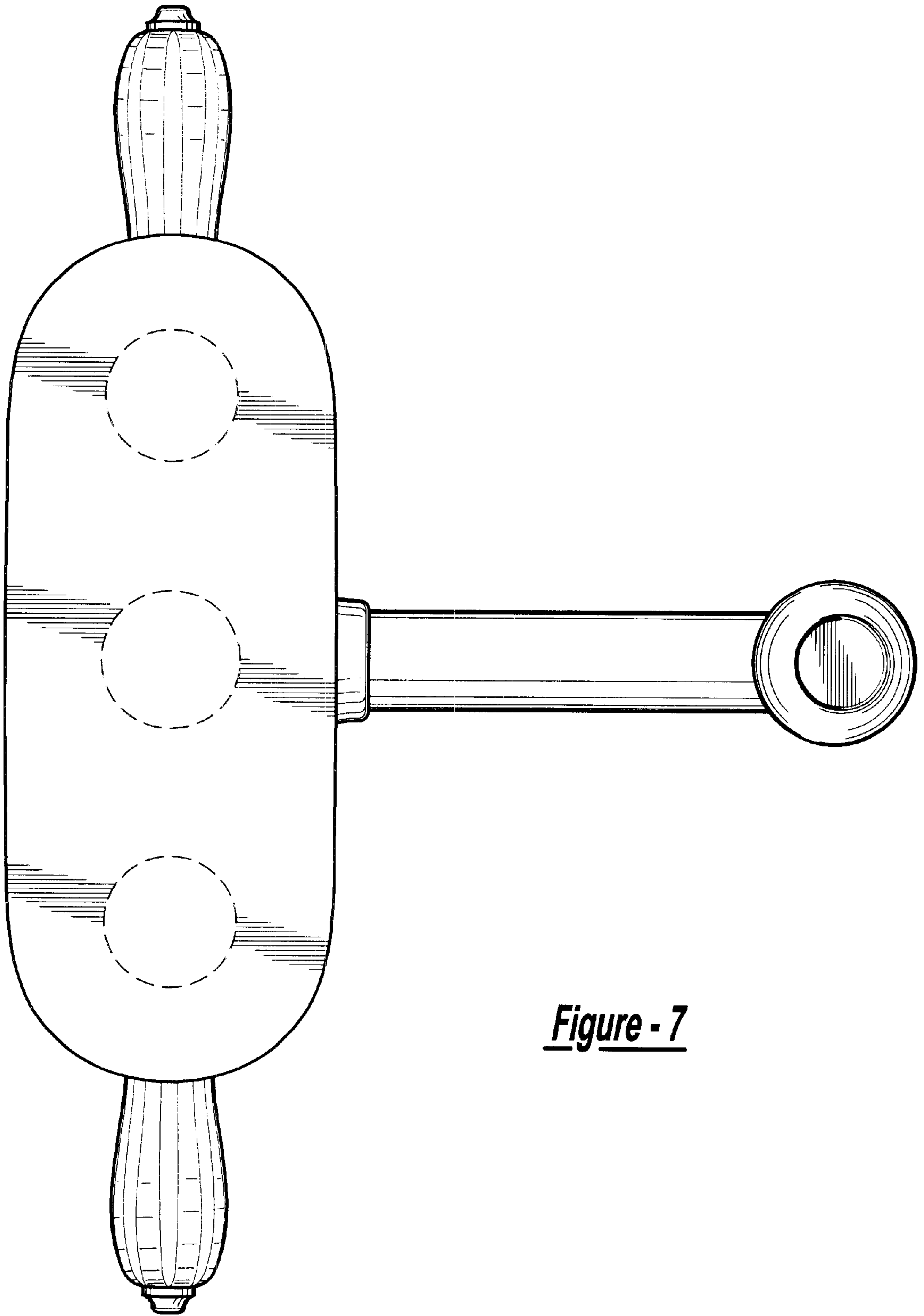


Figure - 7