



US00D462740S

(12) **United States Design Patent**  
**Schroeder et al.**

(10) **Patent No.:** **US D462,740 S**

(45) **Date of Patent:** **\*\* Sep. 10, 2002**

(54) **INLINE ANGLE SPRAY NOZZLE**

(75) Inventors: **Joseph G. Schroeder**, North Royalton, OH (US); **Brian D. Mather**, North Olmsted, OH (US); **Daniel J. Thompson**, Vermilion, OH (US)

(73) Assignee: **Nordson Corporation**, Westlake, OH (US)

(\*\*) Term: **14 Years**

(21) Appl. No.: **29/151,209**

(22) Filed: **Oct. 31, 2001**

(51) **LOC (7) Cl.** ..... **23-01**

(52) **U.S. Cl.** ..... **D23/213**

(58) **Field of Search** ..... D23/213, 214;  
239/327, 492; 4/541.5, 541.6, 541.3, 541.1

(56) **References Cited**

**U.S. PATENT DOCUMENTS**

D48,674 S	*	3/1916	Garrette	.....	D23/213
4,157,789 A	*	6/1979	Lauwe	.....	239/327
4,221,336 A	*	9/1980	Diamond	.....	239/327
D332,479 S	*	1/1993	Nimmo	.....	D23/213
5,810,257 A	*	9/1998	Ton	.....	239/541.6
D453,369 S	*	2/2002	Lobermeier	.....	D23/213

\* cited by examiner

*Primary Examiner*—Robin V. Taylor

(74) *Attorney, Agent, or Firm*—Calfee, Halter & Griswold LLP

(57) **CLAIM**

The ornamental design for an inline angle spray nozzle, as shown and described.

**DESCRIPTION**

FIG. 1 is a perspective view of an inline angle spray nozzle showing the new design;

FIG. 2 is a perspective view of a second embodiment with the only difference being in the tapered ends of the design at the tip of the nozzle;

FIG. 3 is a top view of the inline angle spray nozzle of FIG. 1;

FIG. 4 is a bottom view of the inline angle spary nozzle of FIG. 1;

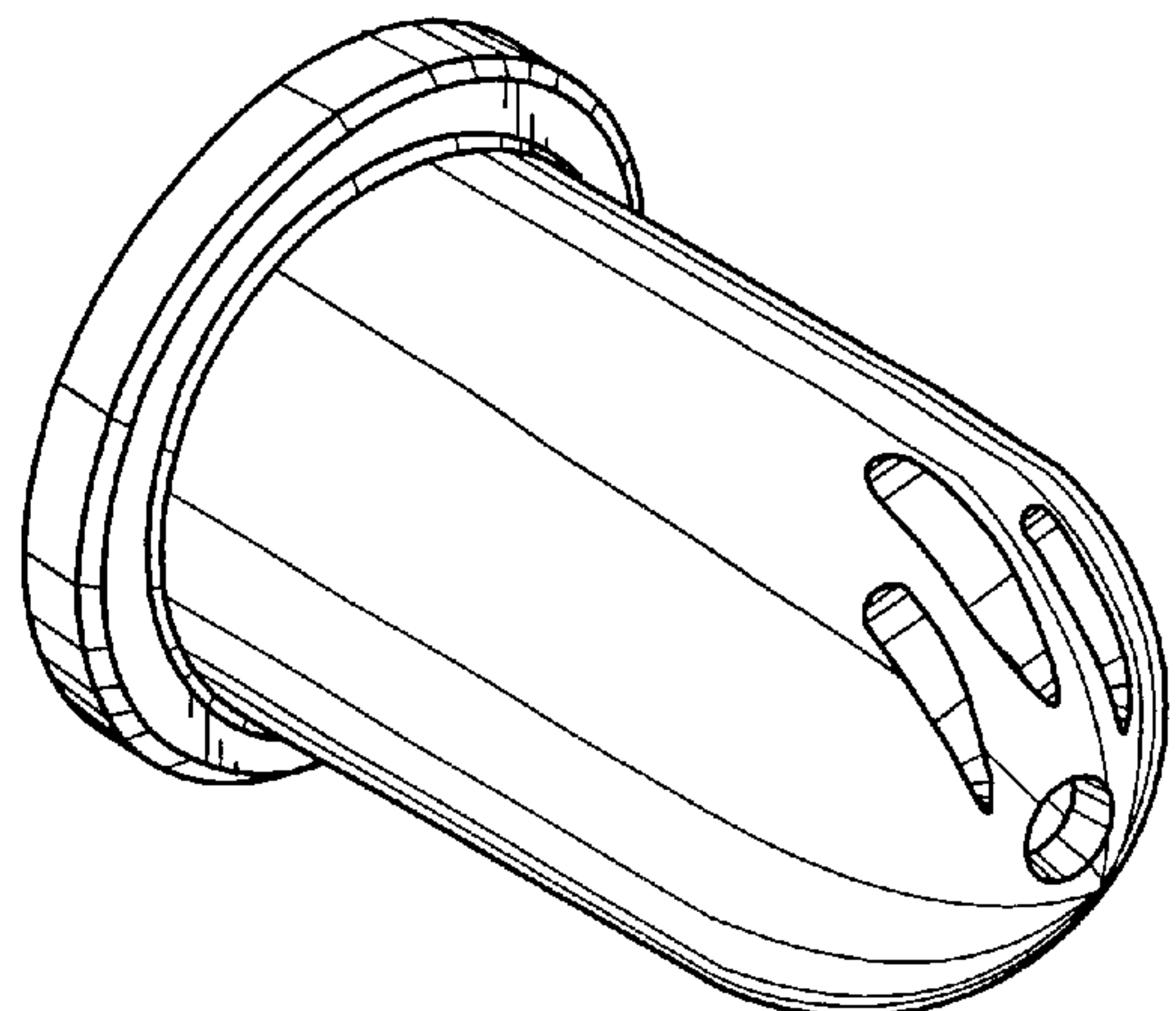
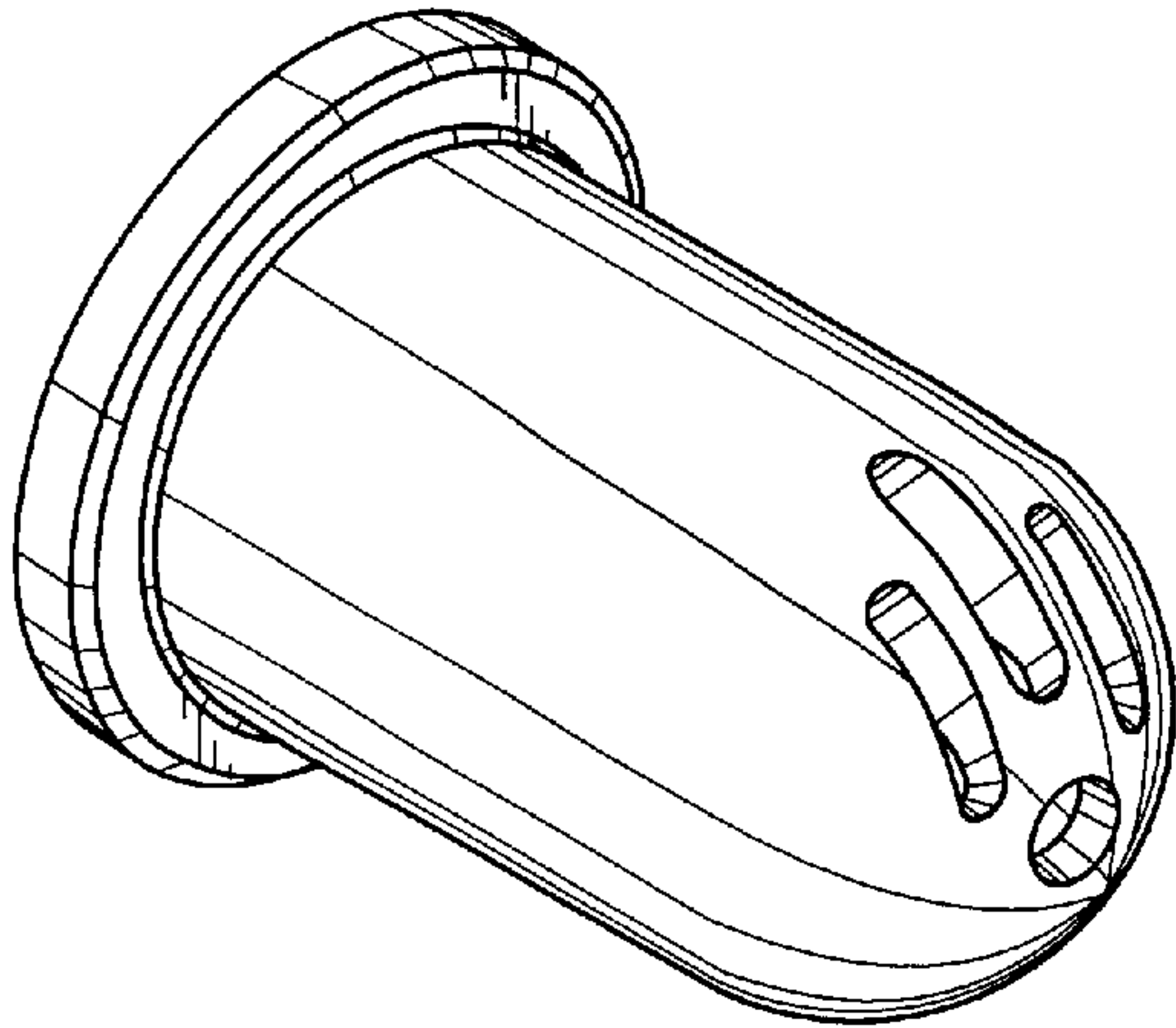
FIG. 5 is a right side view of the inline angle spray nozzle of FIG. 1;

FIG. 6 is a left side view of the inline angle spray nozzle of FIG. 1;

FIG. 7 is a front view of the inline angle spray nozzle of FIG. 1; and,

FIG. 8 is a rear view of the inline angle spray nozzle of FIG. 1.

**1 Claim, 1 Drawing Sheet**



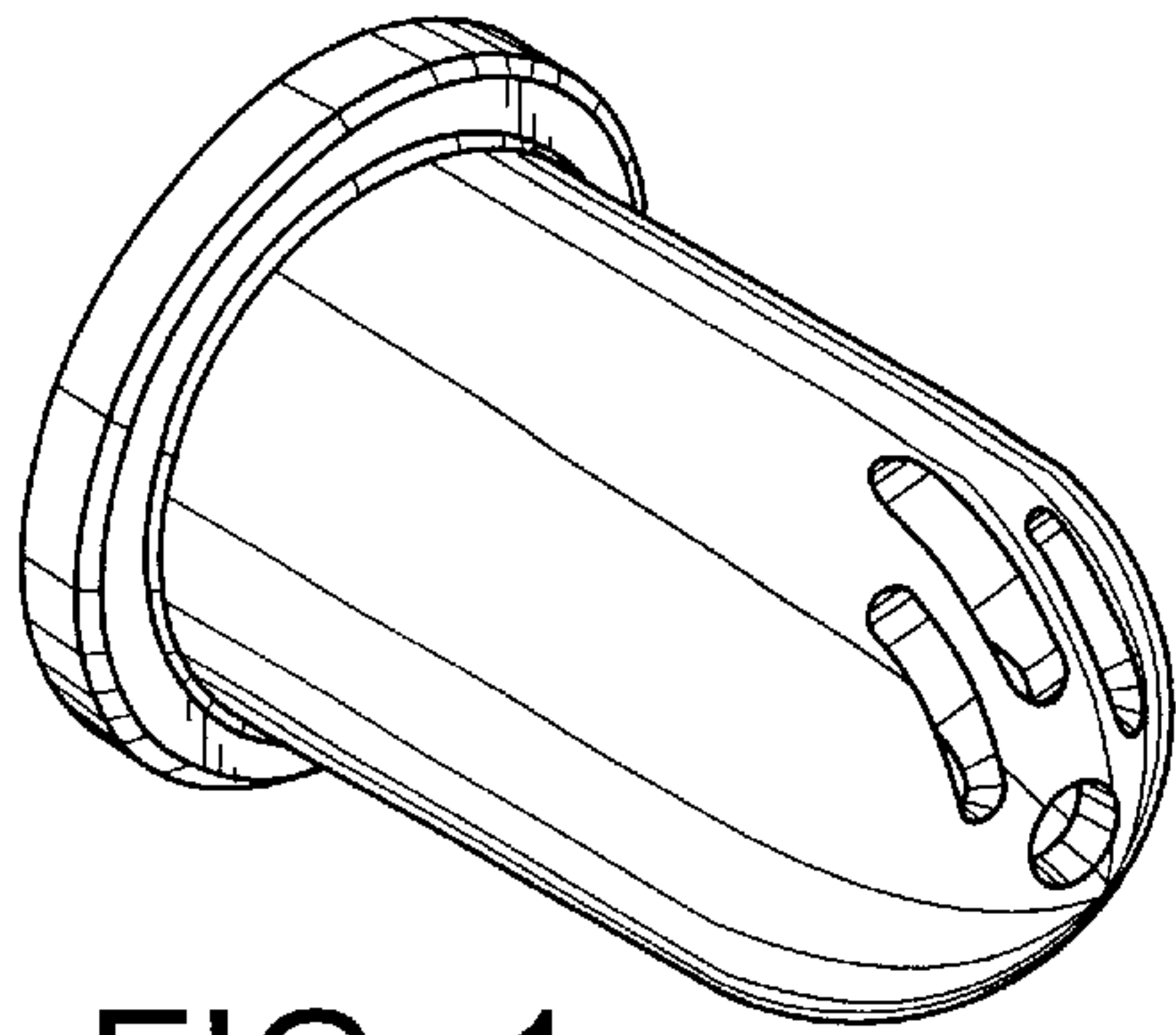


FIG. 1

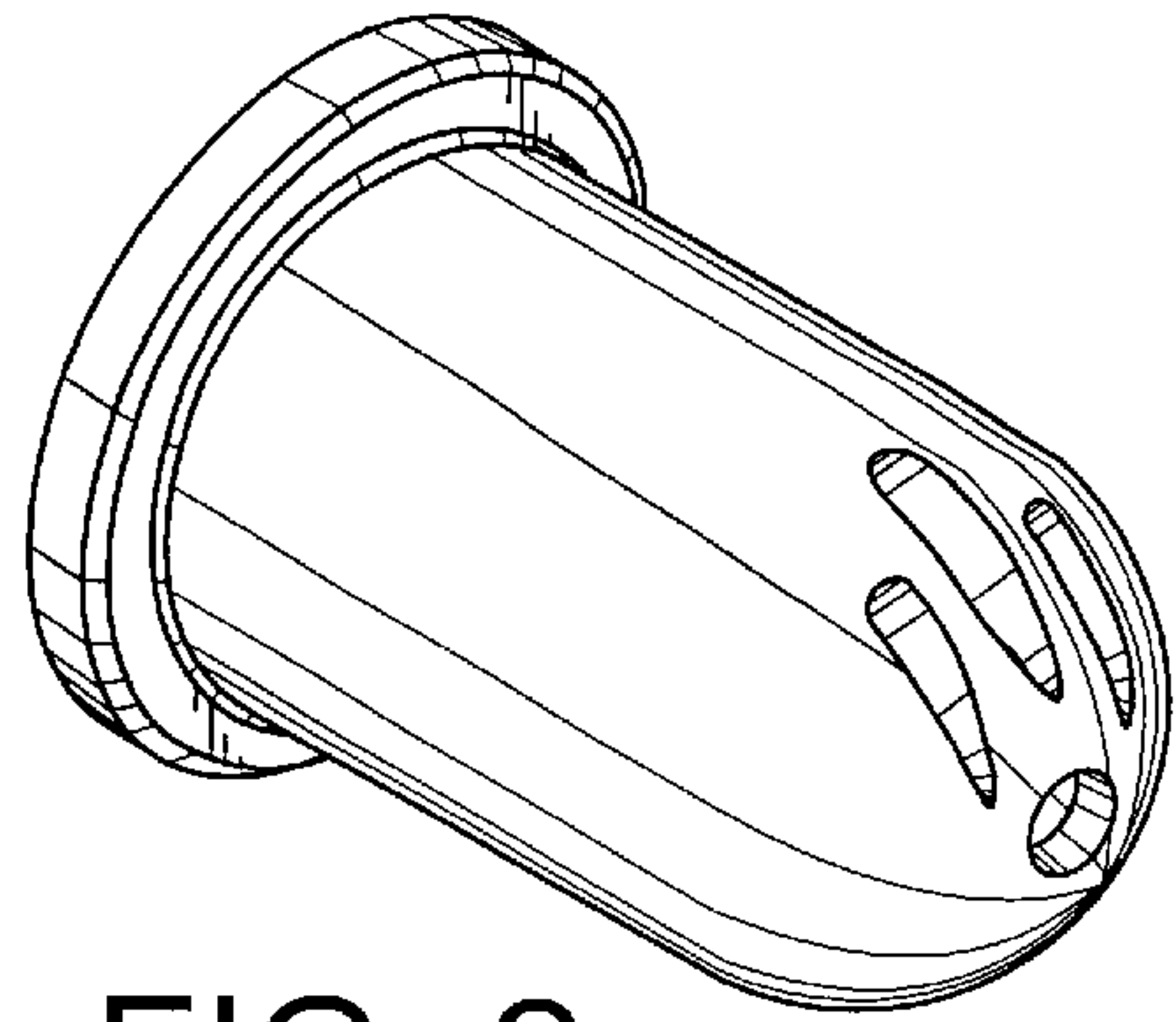


FIG. 2

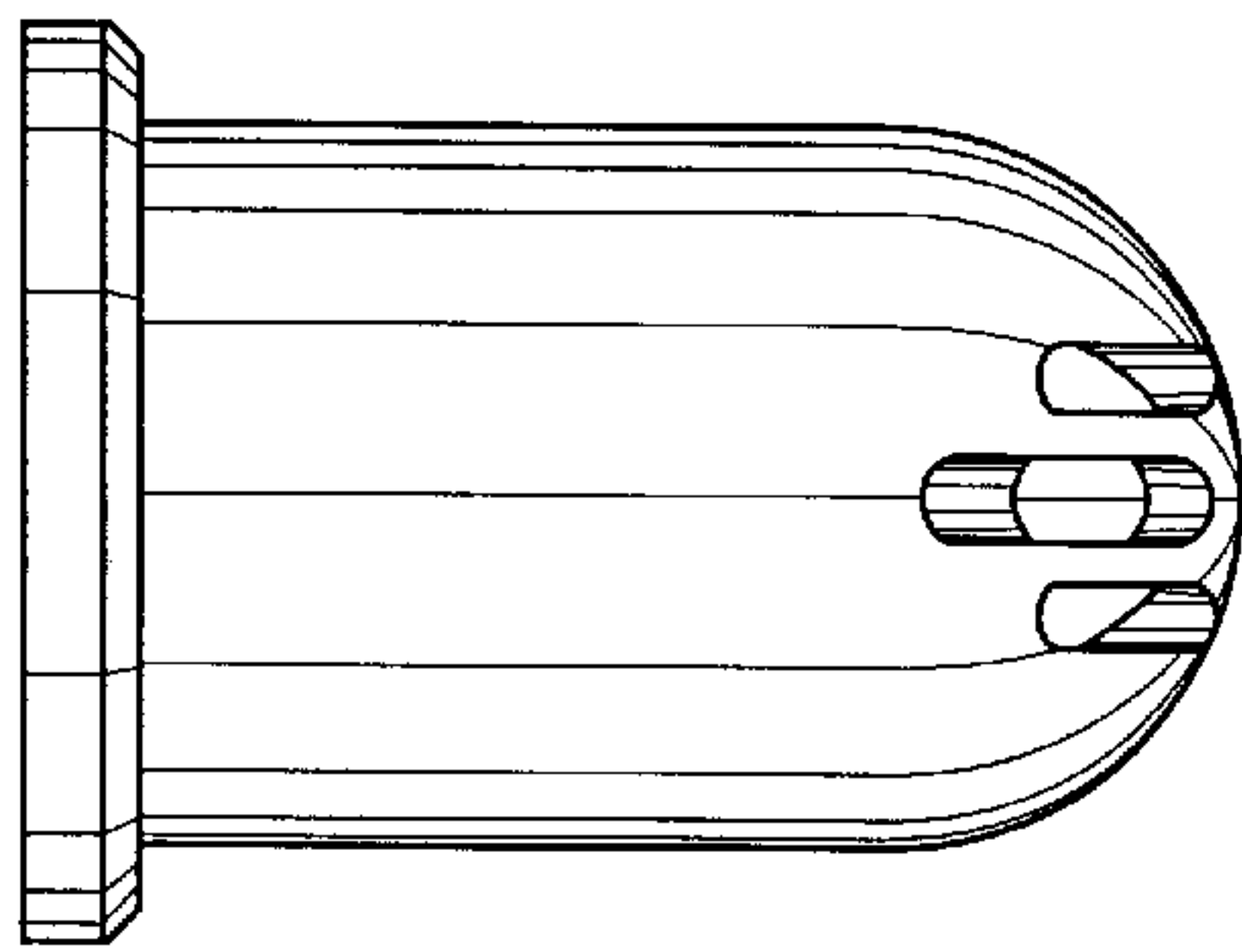


FIG. 3

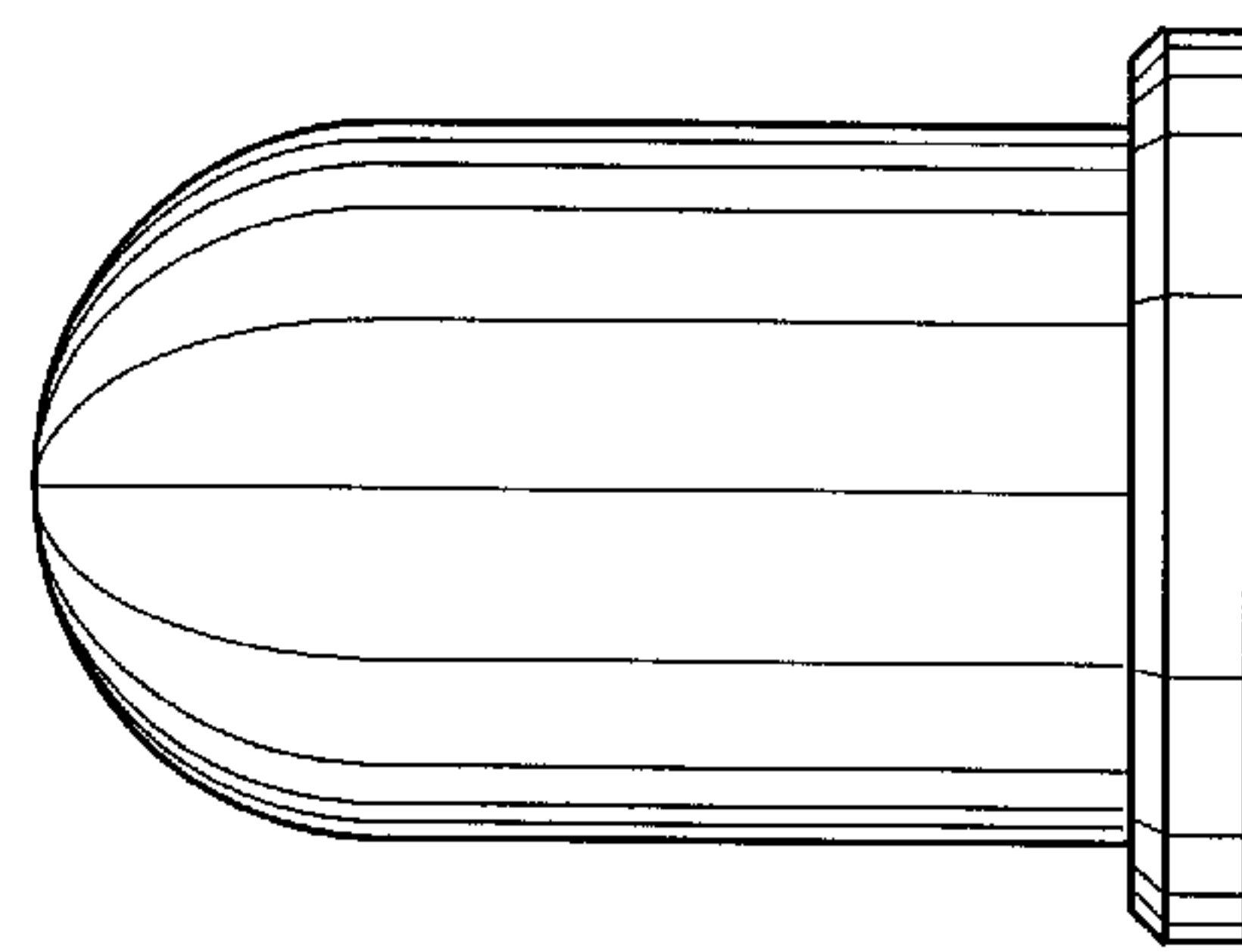


FIG. 4

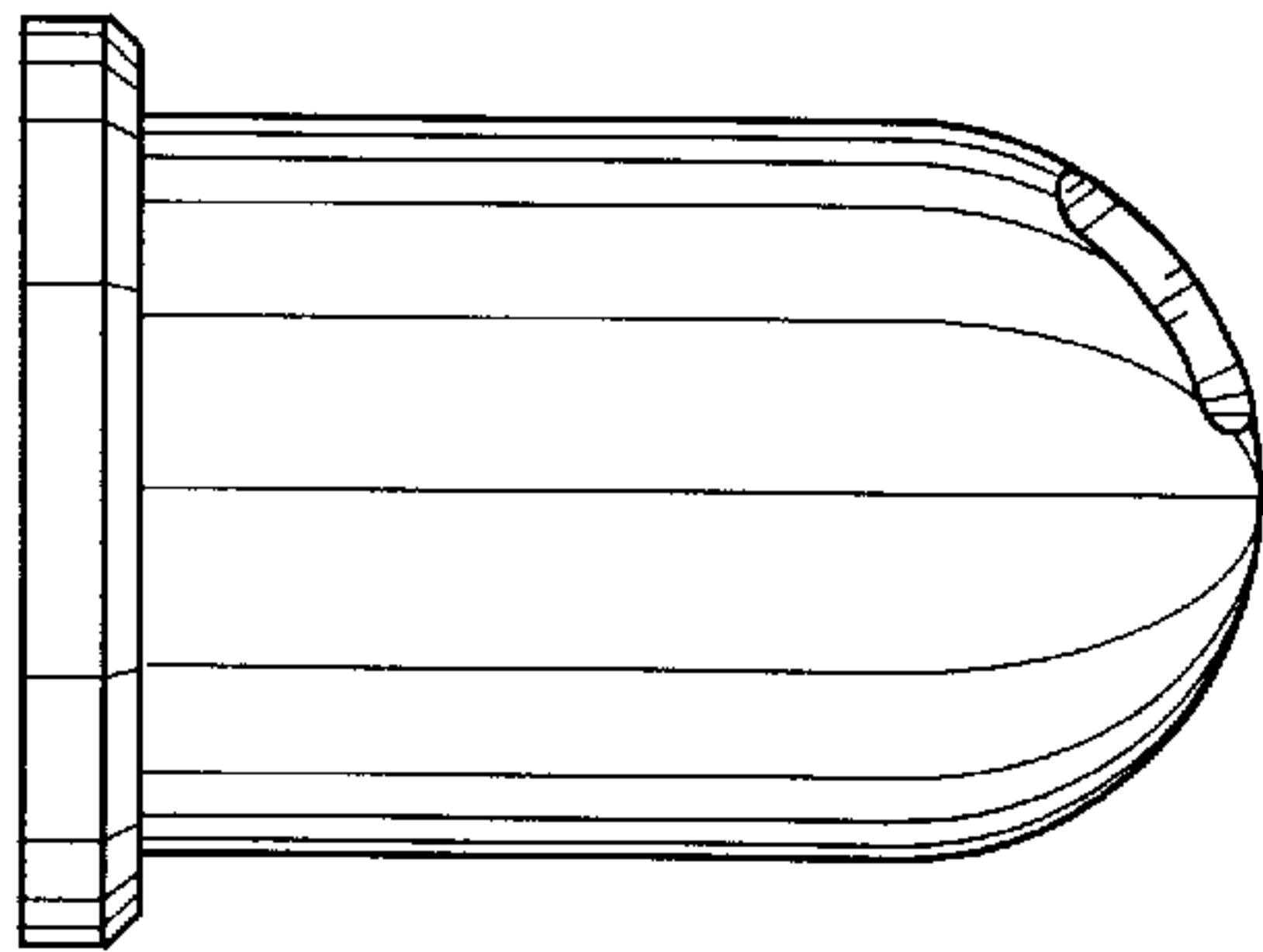


FIG. 5

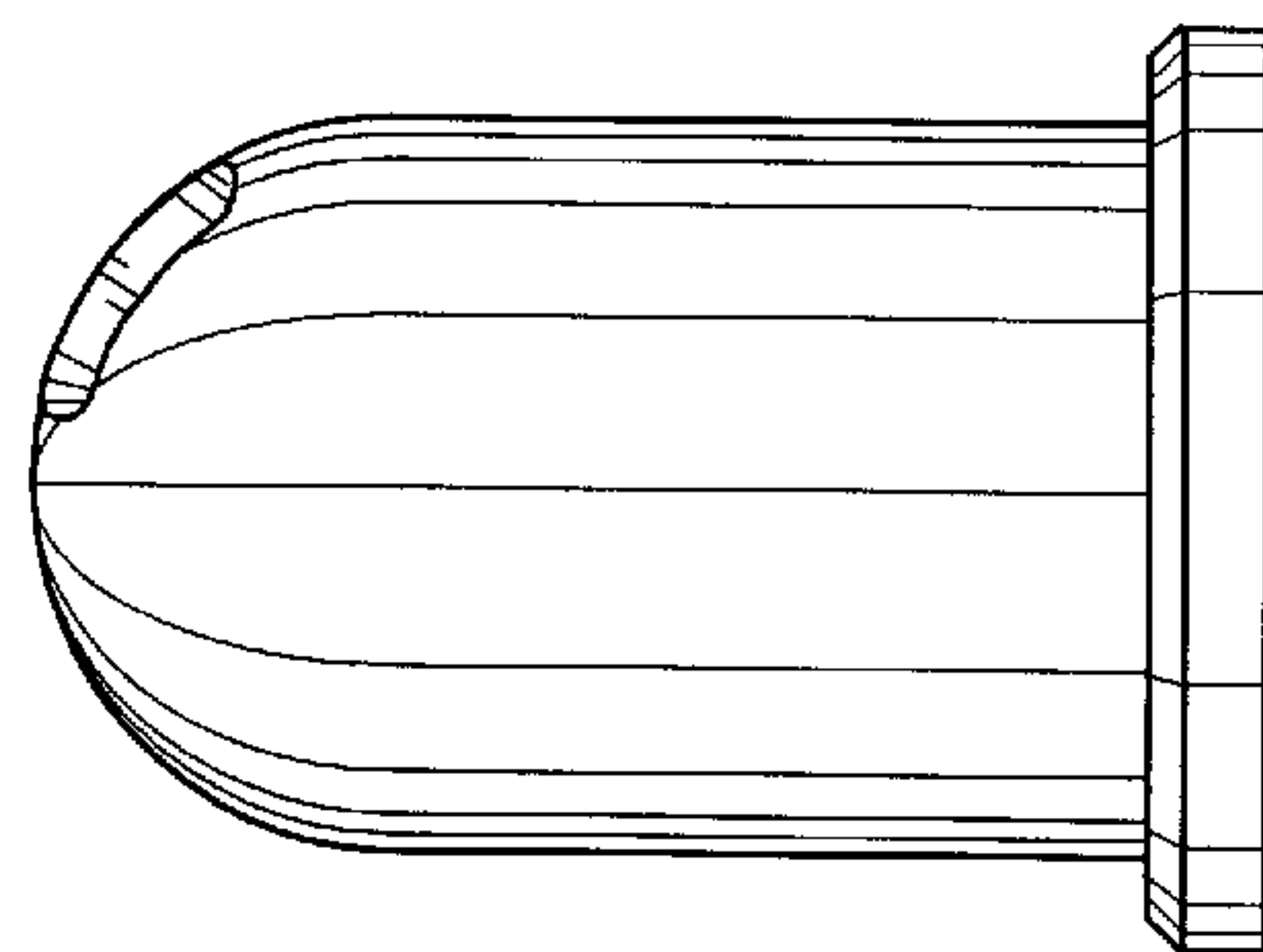


FIG. 6

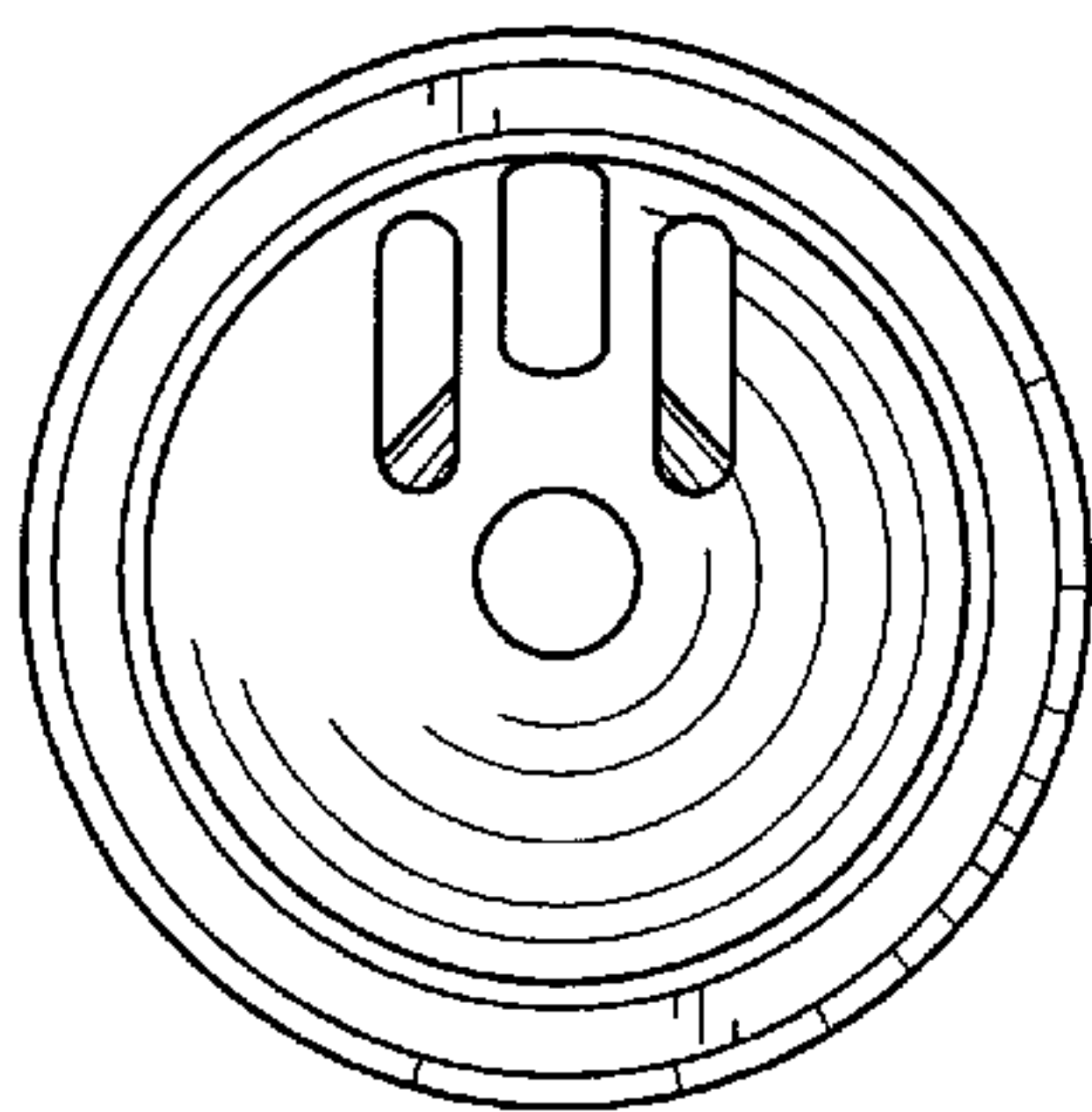


FIG. 7

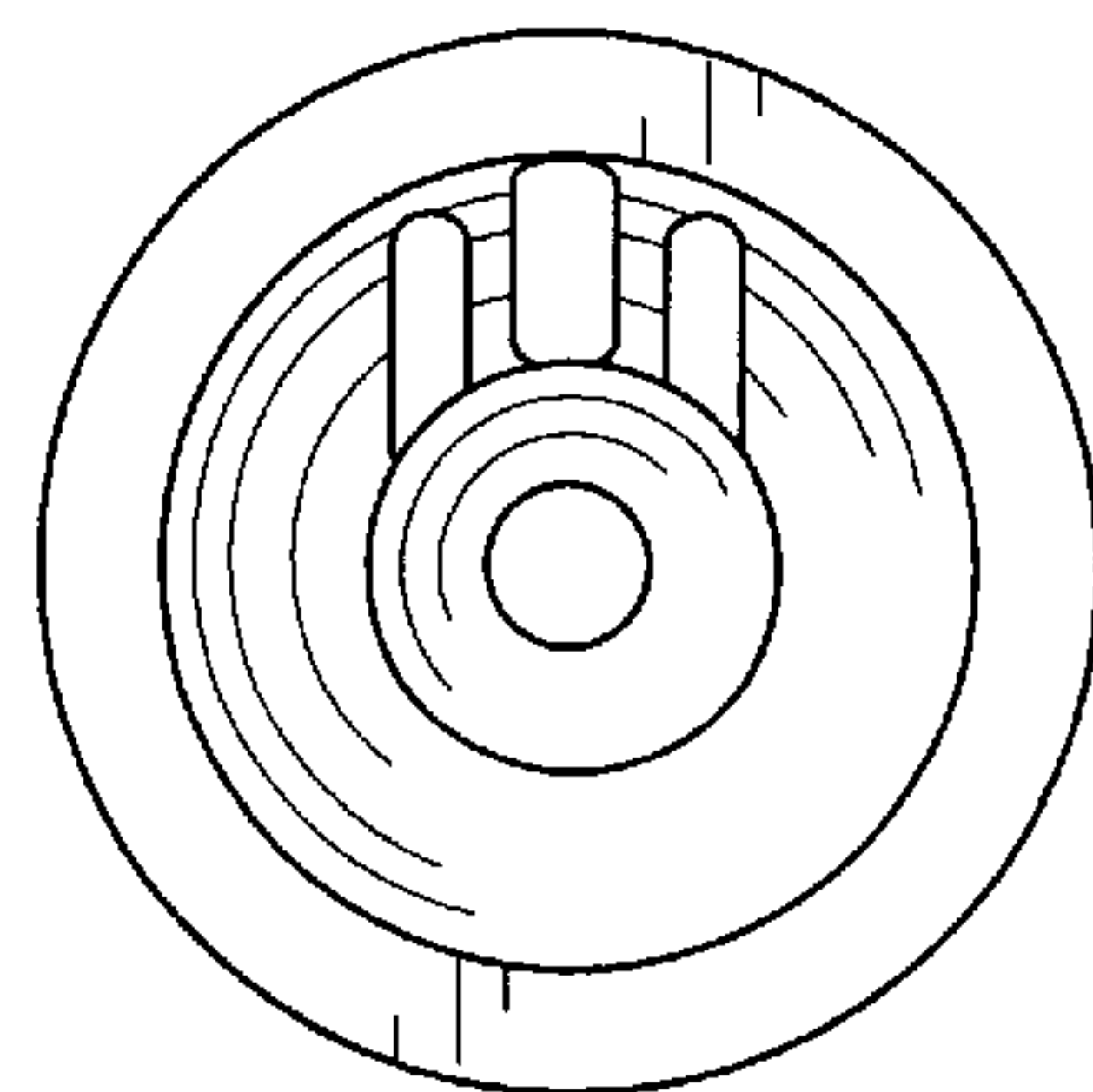


FIG. 8