



US00D462739S

(12) **United States Design Patent**
Carley et al.

(10) **Patent No.:** **US D462,739 S**

(45) **Date of Patent:** **** *Sep. 10, 2002**

(54) **AQUARIUM FILTER**

(75) **Inventors:** **Joseph Christopher Carley; John Edward Fox, Jr.**, both of Blacksburg, VA (US); **Jeffrey Alan Warden**, Chapel Hill, NC (US)

(73) **Assignee:** **Warner-Lambert Company**, Morris Plains, NJ (US)

(*) **Notice:** This patent is subject to a terminal disclaimer.

(**) **Term:** **14 Years**

(21) **Appl. No.:** **29/137,938**

(22) **Filed:** **Mar. 1, 2001**

(51) **LOC (7) Cl.** **23-01**

(52) **U.S. Cl.** **D23/210**

(58) **Field of Search** D23/209, 210; 210/169, 416.2

(56) **References Cited**

U.S. PATENT DOCUMENTS

2,782,161 A * 2/1957 Willinger et al. 210/169

4,602,996 A * 7/1986 Willinger 210/169
D317,966 S * 7/1991 Willinger D23/210
D355,701 S * 2/1995 Willinger et al. D23/209
5,799,612 A * 9/1998 Page 210/416.2

* cited by examiner

Primary Examiner—Robin V. Taylor

(74) *Attorney, Agent, or Firm*—Darryl C. Little; Evan J. Federman

(57) **CLAIM**

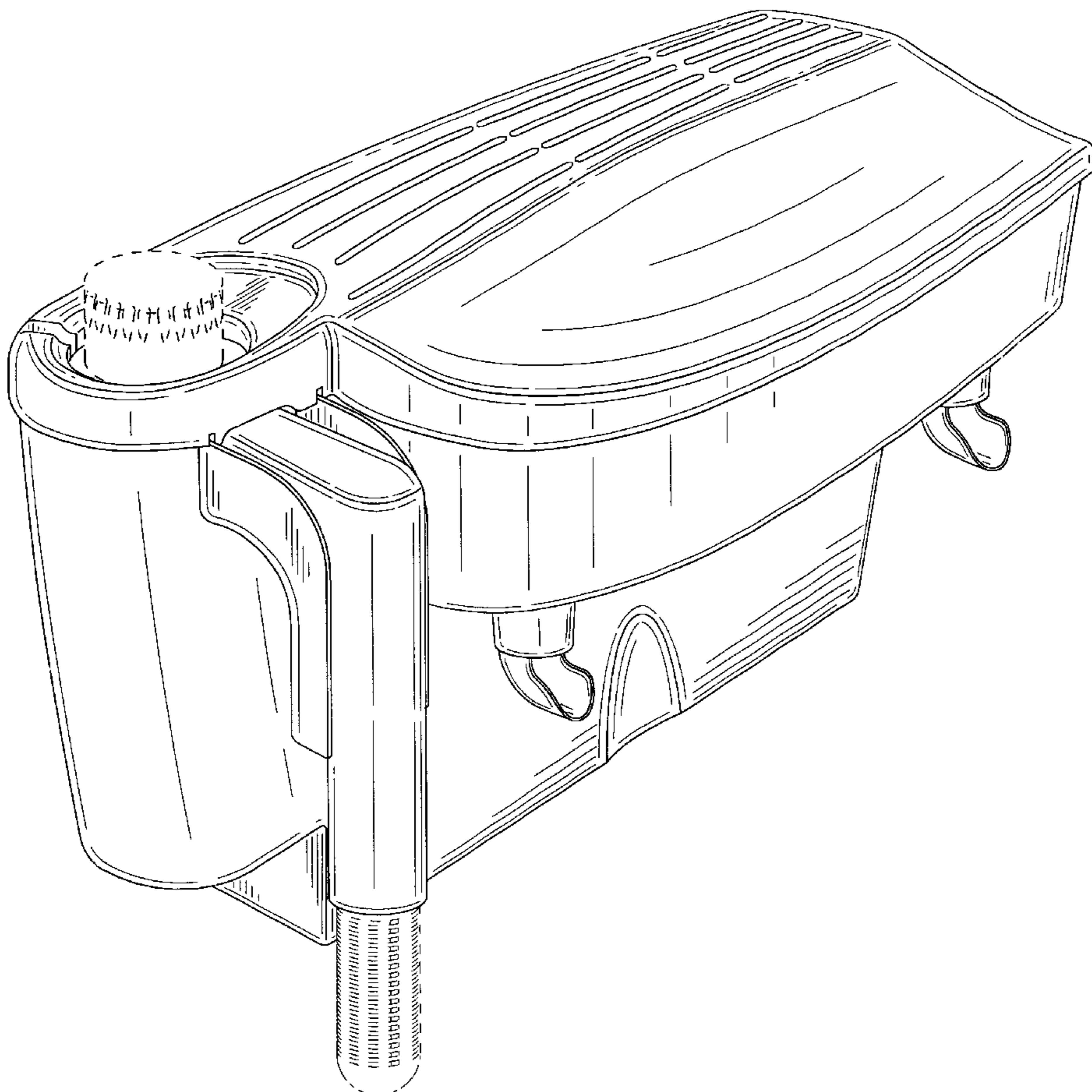
The ornamental design for an aquarium filter, as shown and described.

DESCRIPTION

FIG. 1 is a perspective view of the filter;
FIG. 2 is a top plan view of the filter;
FIG. 3 is a right side elevational view of the filter;
FIG. 4 is a front elevational view of the filter;
FIG. 5 is a rear elevational view of the filter;
FIG. 6 is a left side elevational view of the filter; and,
FIG. 7 is a bottom plan view of the filter.

The broken line showing is for illustrative purposes only and forms no part of the claimed design.

1 Claim, 6 Drawing Sheets



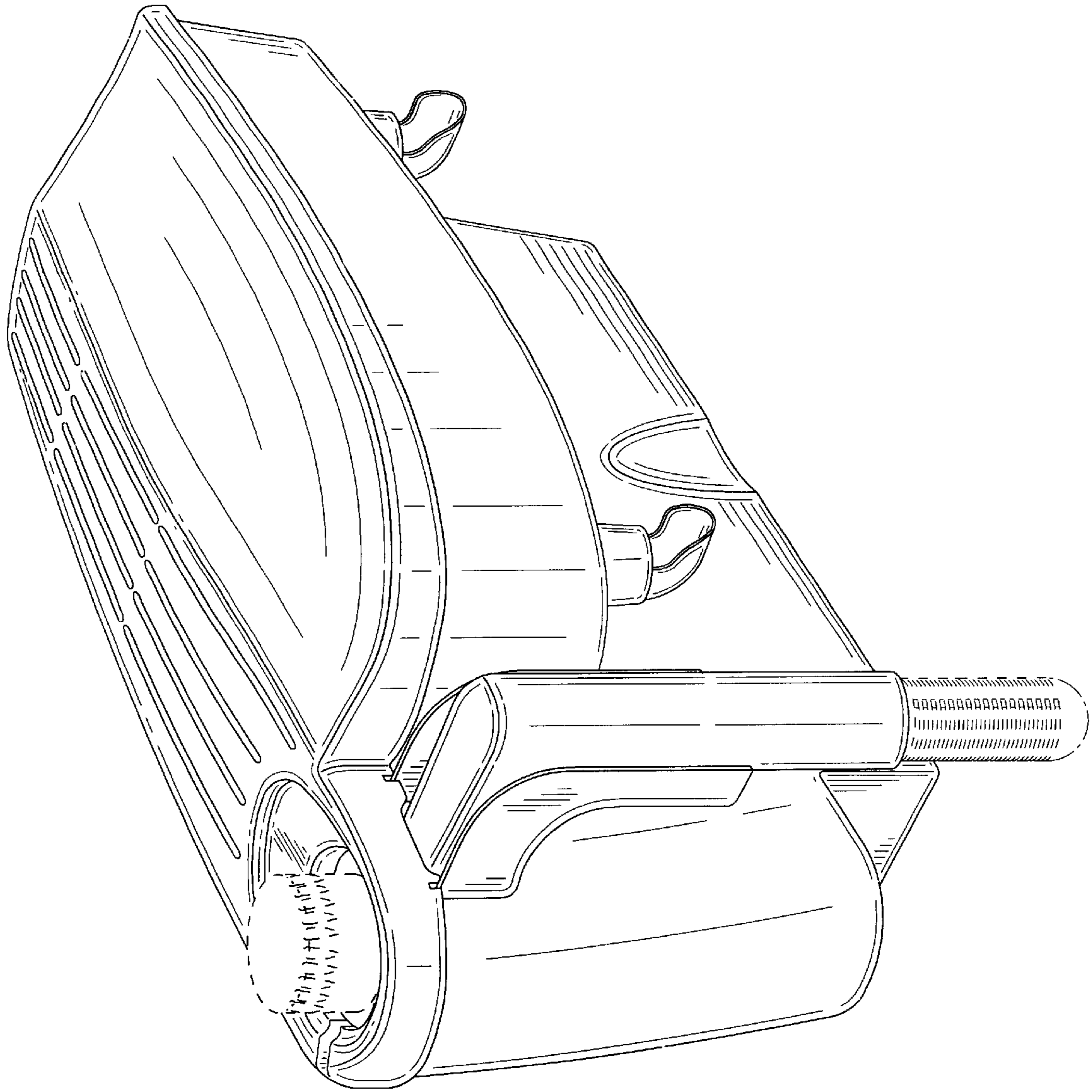


FIG. 1

FIG. 2

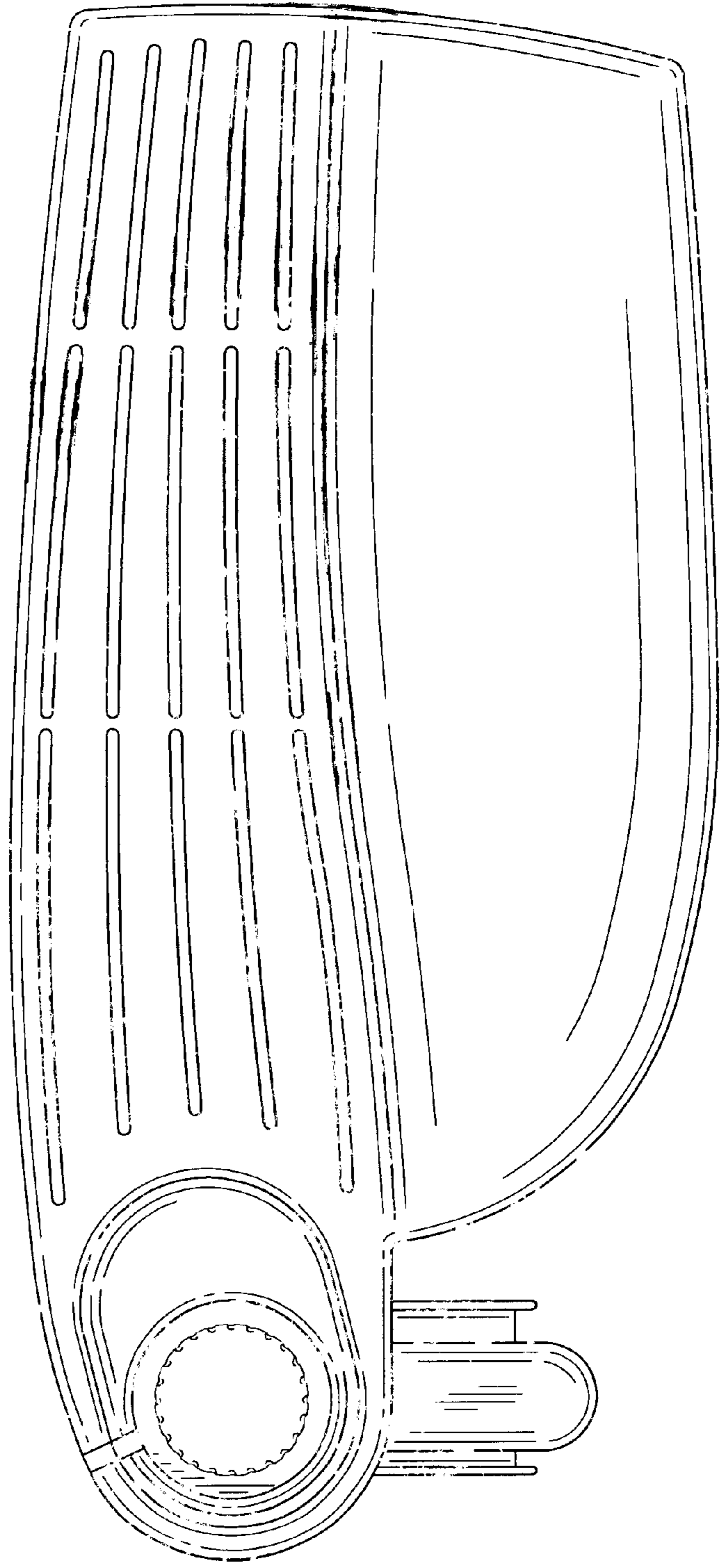


FIG. 3

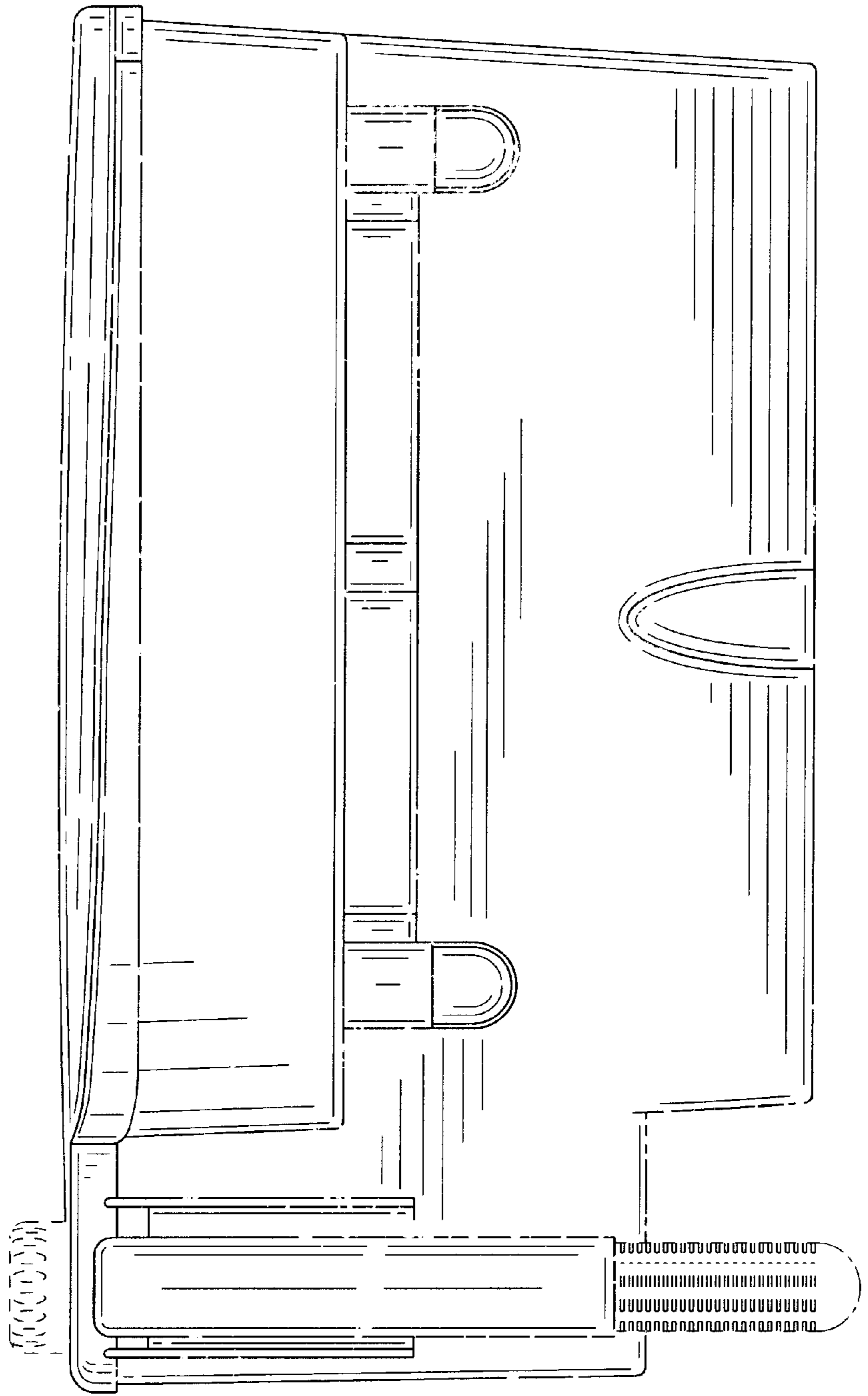


FIG. 5

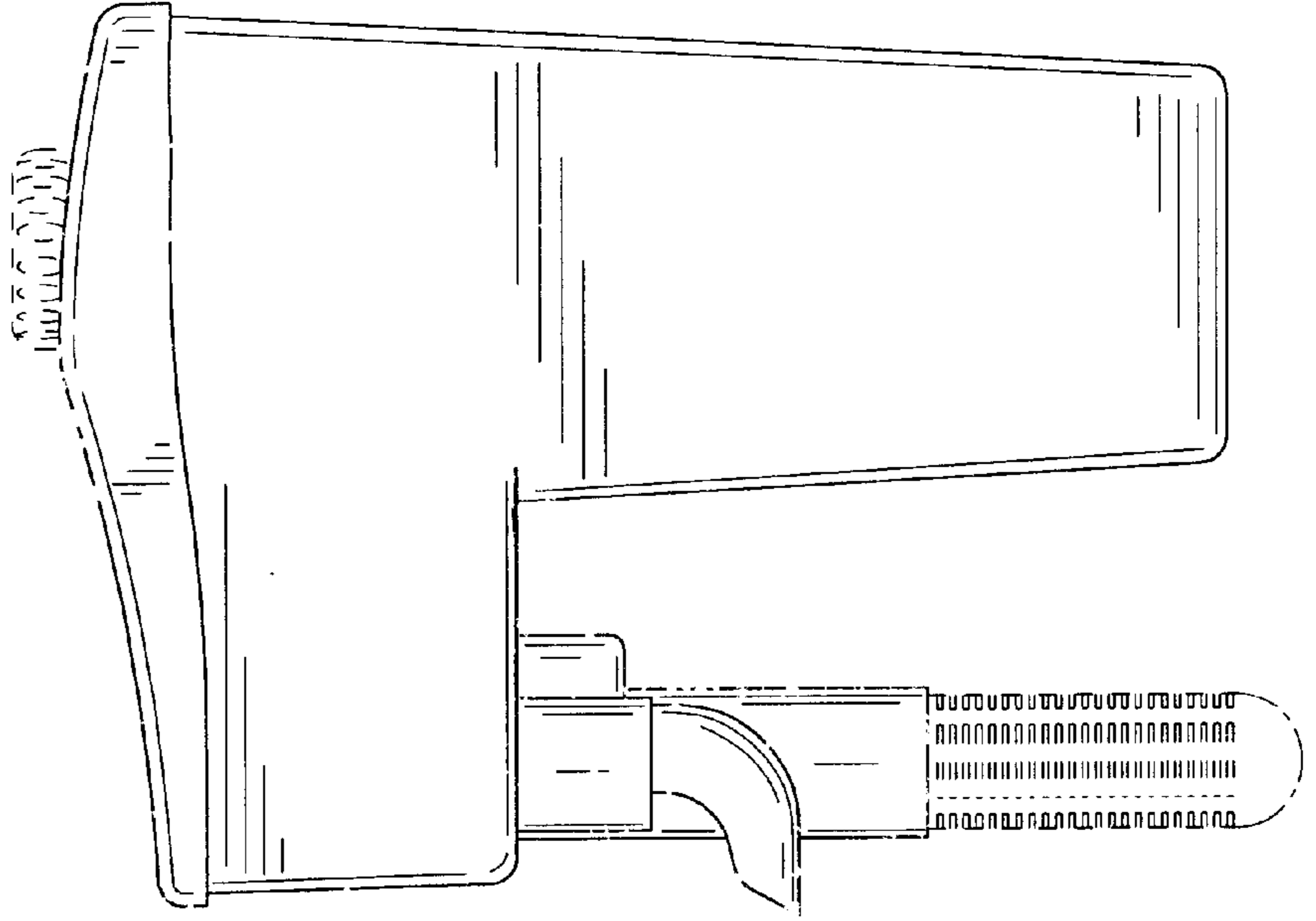


FIG. 4

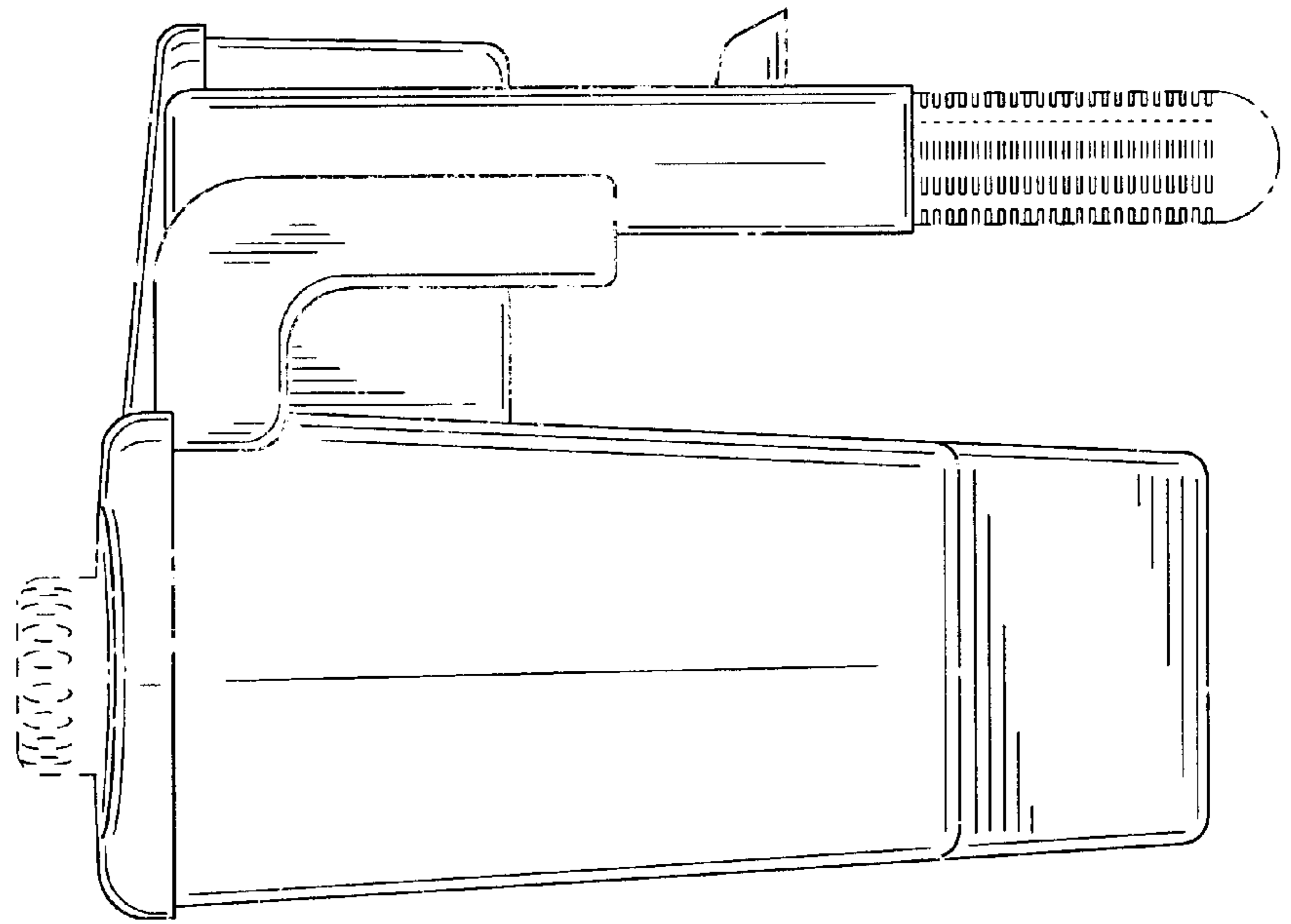


FIG. 6

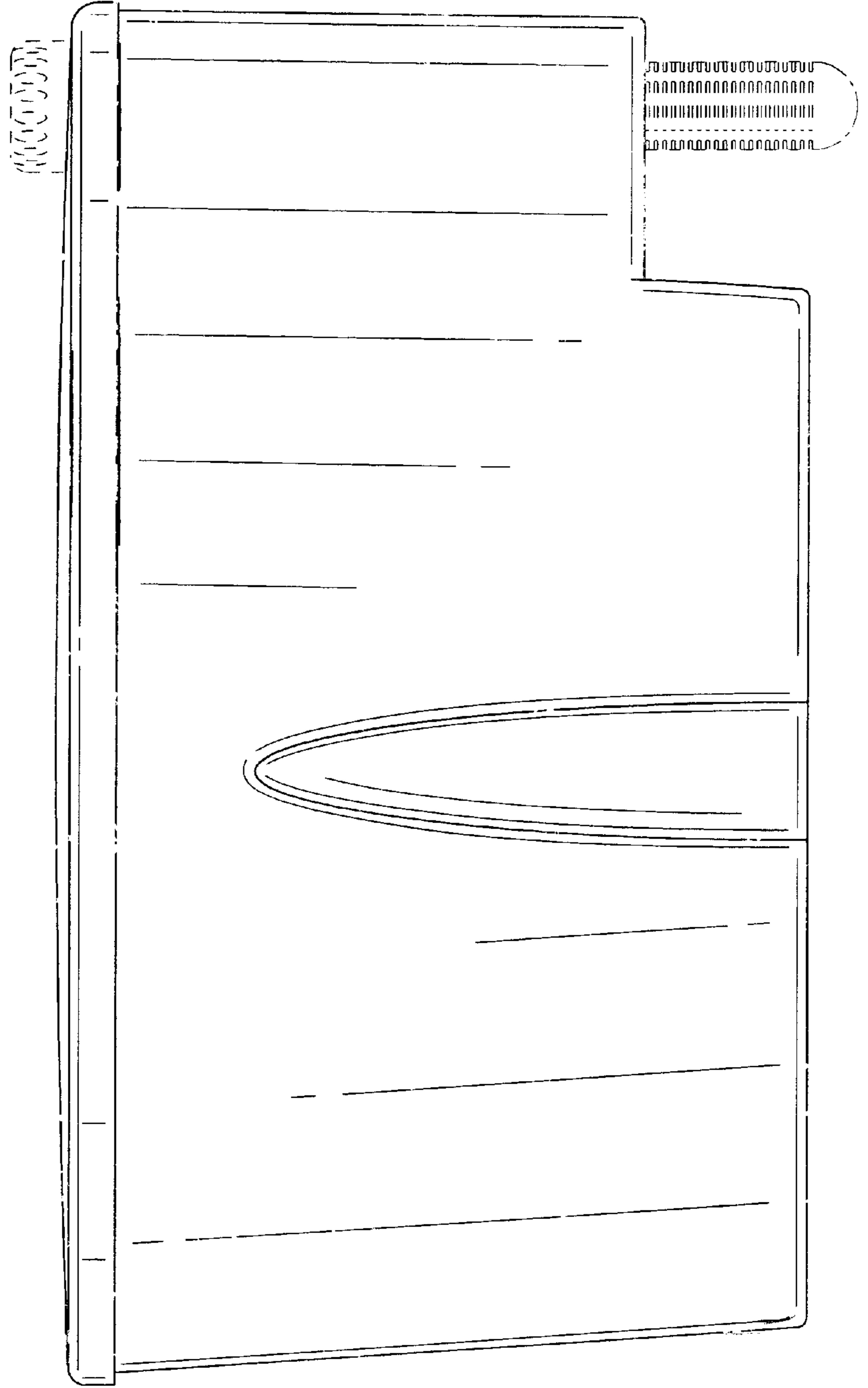


FIG. 7

