



US00D462735S

(12) **United States Design Patent**
Rohde et al.

(10) **Patent No.:** **US D462,735 S**

(45) **Date of Patent:** **** Sep. 10, 2002**

(54) **GUN LOCK**

(75) Inventors: **Christopher Rohde**, West Allis;
Kenneth N. Grandy, South Milwaukee;
Charles Lasky, Milwaukee, all of WI
(US)

(73) Assignee: **Master Lock Company**, Milwaukee,
WI (US)

(**) Term: **14 Years**

(21) Appl. No.: **29/150,600**

(22) Filed: **Nov. 6, 2001**

(51) **LOC (7) Cl.** **22-01**

(52) **U.S. Cl.** **D22/108**

(58) **Field of Search** D22/100, 104,
D22/108, 199; 42/70.06, 70.07, 70.11; 70/58,
63, 201, 202, 203, 312

(56) **References Cited**

U.S. PATENT DOCUMENTS

- 5,704,152 A * 1/1998 Harrison et al. 42/70.07
- 5,832,647 A 11/1998 Ling et al.
- 5,899,102 A 5/1999 Ling
- 5,918,402 A * 7/1999 Weinraub 42/70.07

- 6,205,695 B1 * 3/2001 Schnell 42/70.07
- 6,269,575 B1 * 8/2001 Chang 42/70.07
- 6,276,086 B1 * 8/2001 Keaton 42/70.07
- 6,330,815 B1 * 12/2001 Duncan 70/58

* cited by examiner

Primary Examiner—Louis S. Zarfes

Assistant Examiner—Monica A. Weingart

(74) *Attorney, Agent, or Firm*—Calfee, Halter & Griswold
LLP

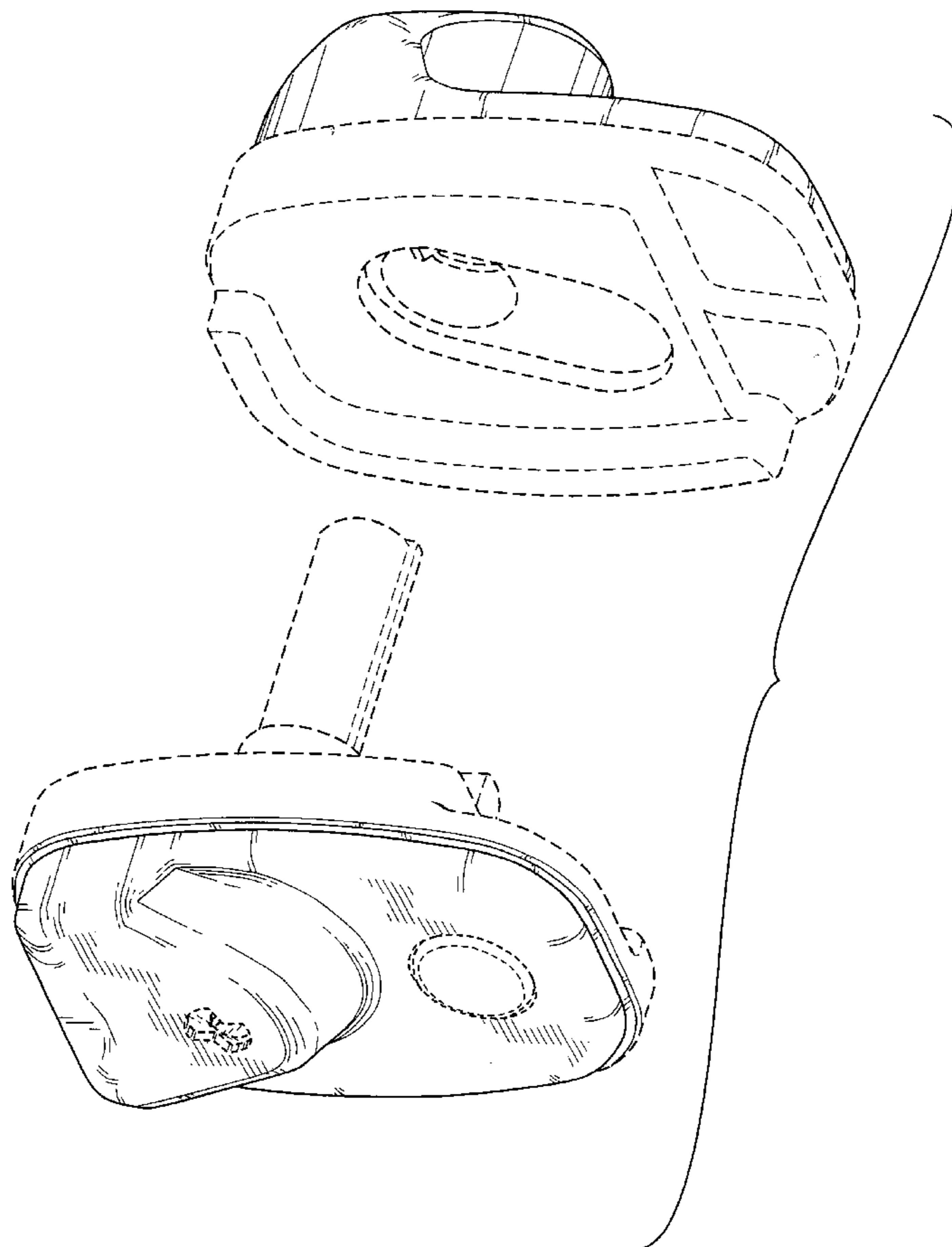
(57) **CLAIM**

The ornamental design for a gun lock, as shown and described.

DESCRIPTION

FIG. 1 is an exploded perspective view of the gun lock showing the new design;
 FIG. 2 is a right side view of the gun lock of FIG. 1;
 FIG. 3 is a left side view of the gun lock of FIG. 1;
 FIG. 4 is a bottom view of the gun lock of FIG. 1;
 FIG. 5 is a top view of the gun lock of FIG. 1;
 FIG. 6 is a rear end view of the gun lock of FIG. 1; and,
 FIG. 7 is a front end view of the gun lock shown in FIG. 1.
 The portions of the Figures shown in phantom lines are not part of the claimed design but are for illustration only.

1 Claim, 4 Drawing Sheets



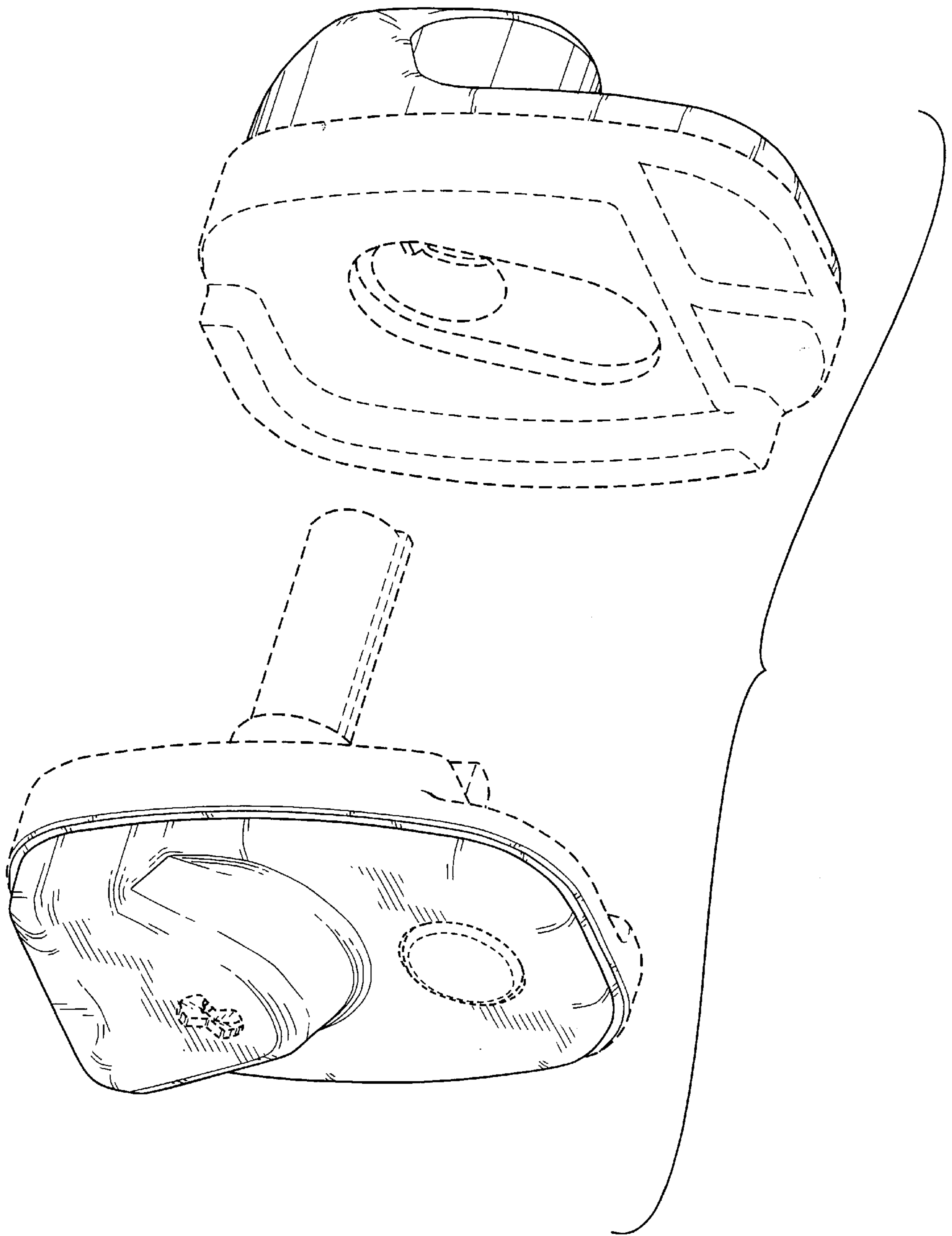


FIG. 1

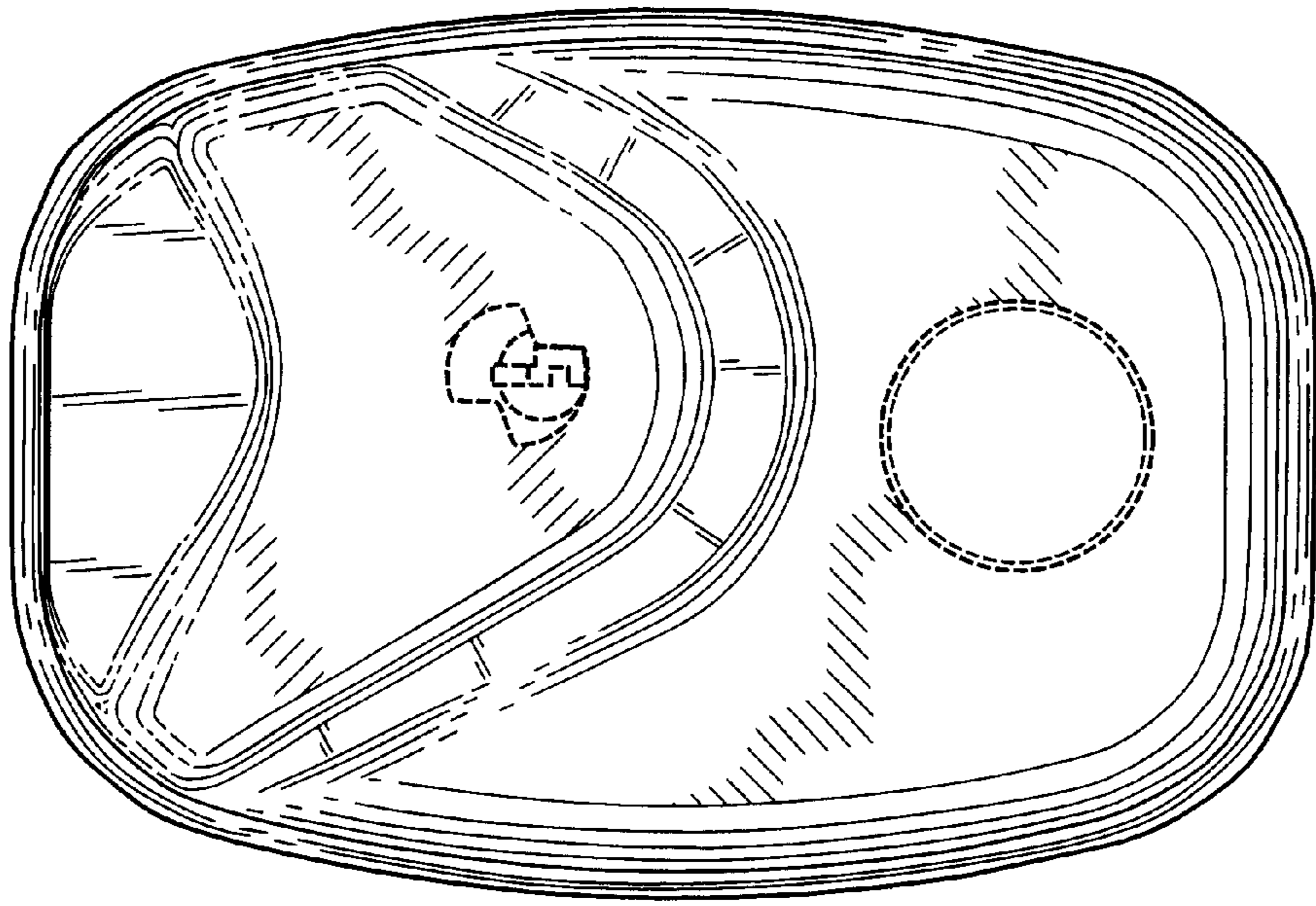


FIG. 2

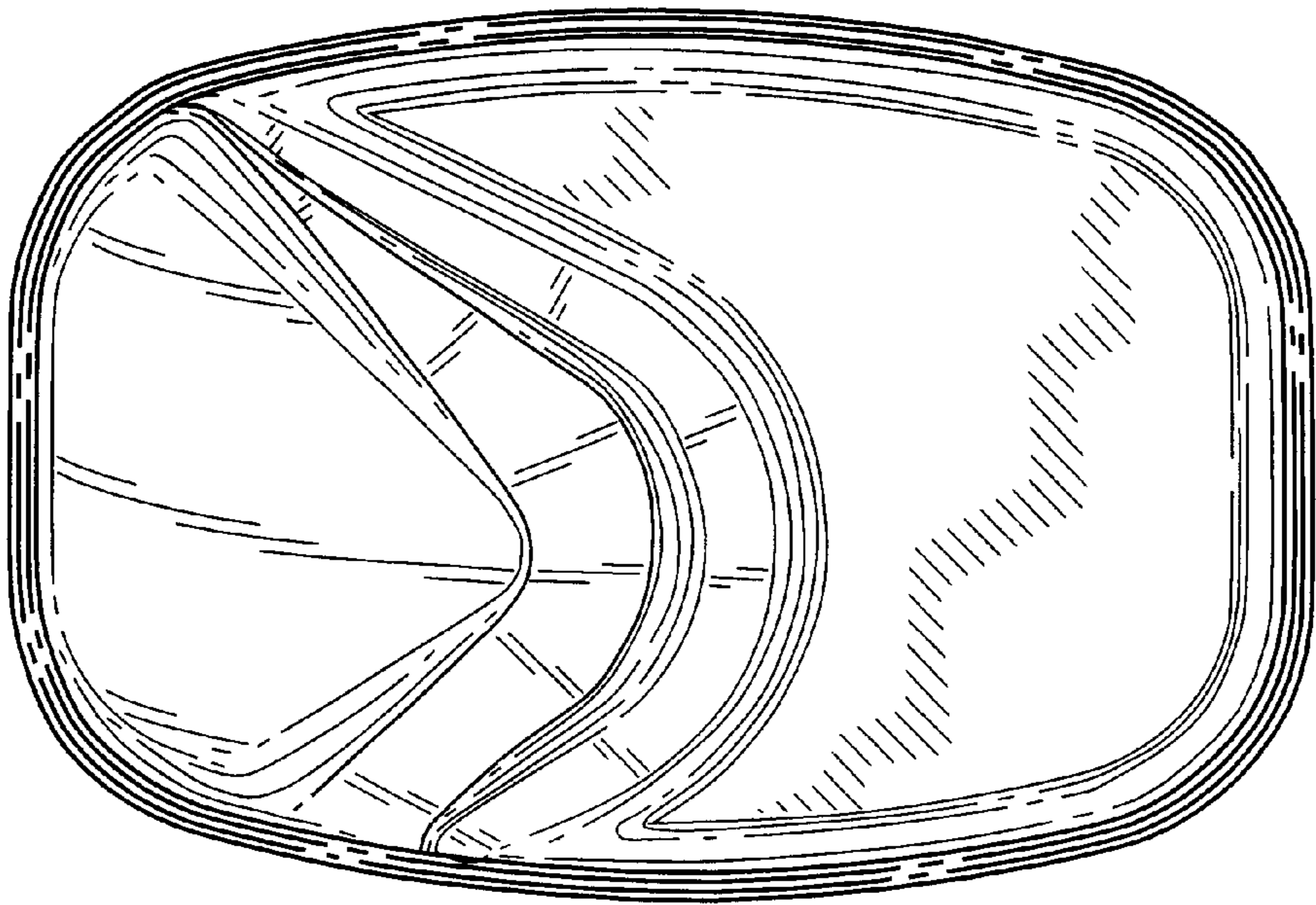


FIG. 3

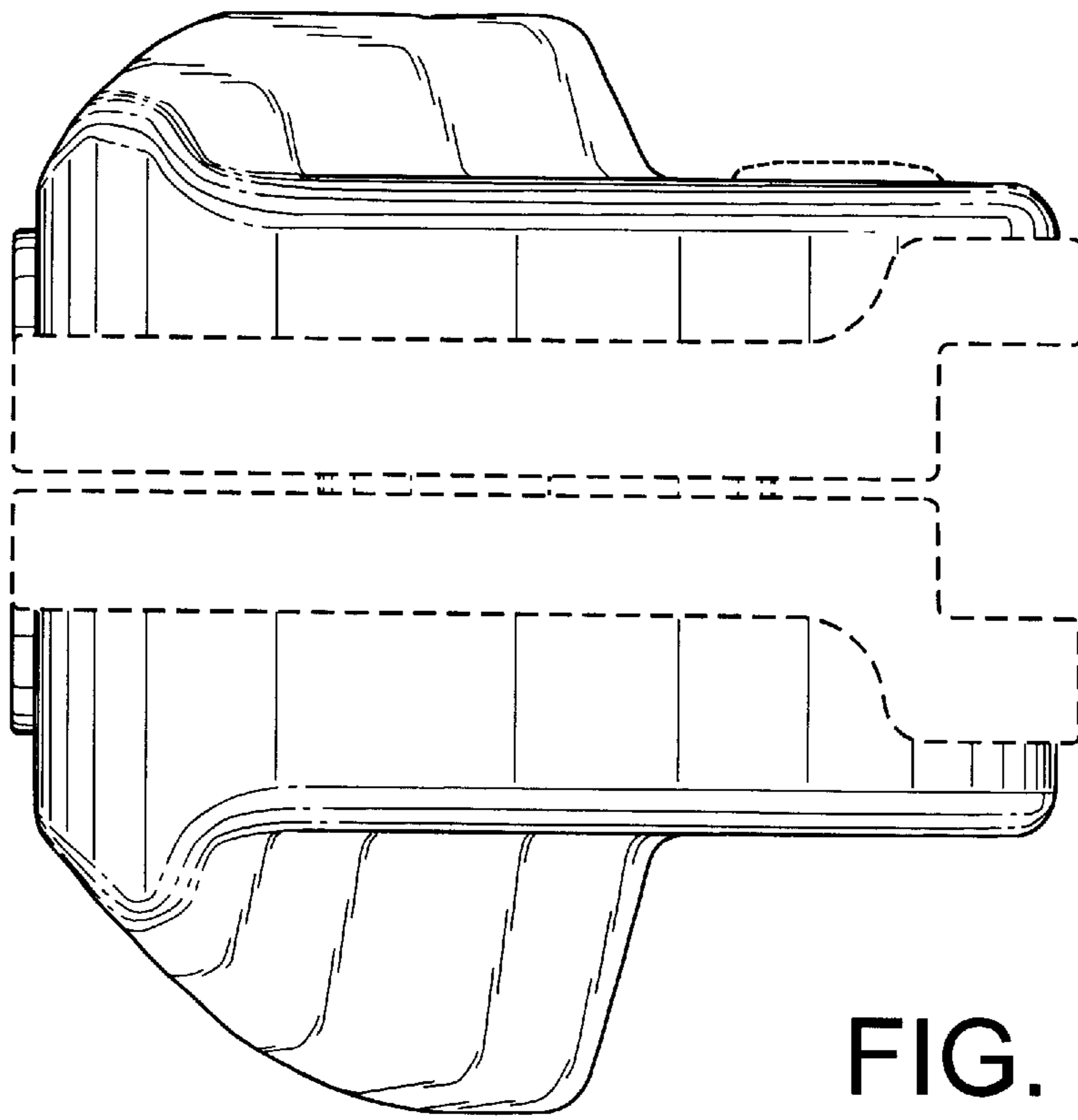


FIG. 4

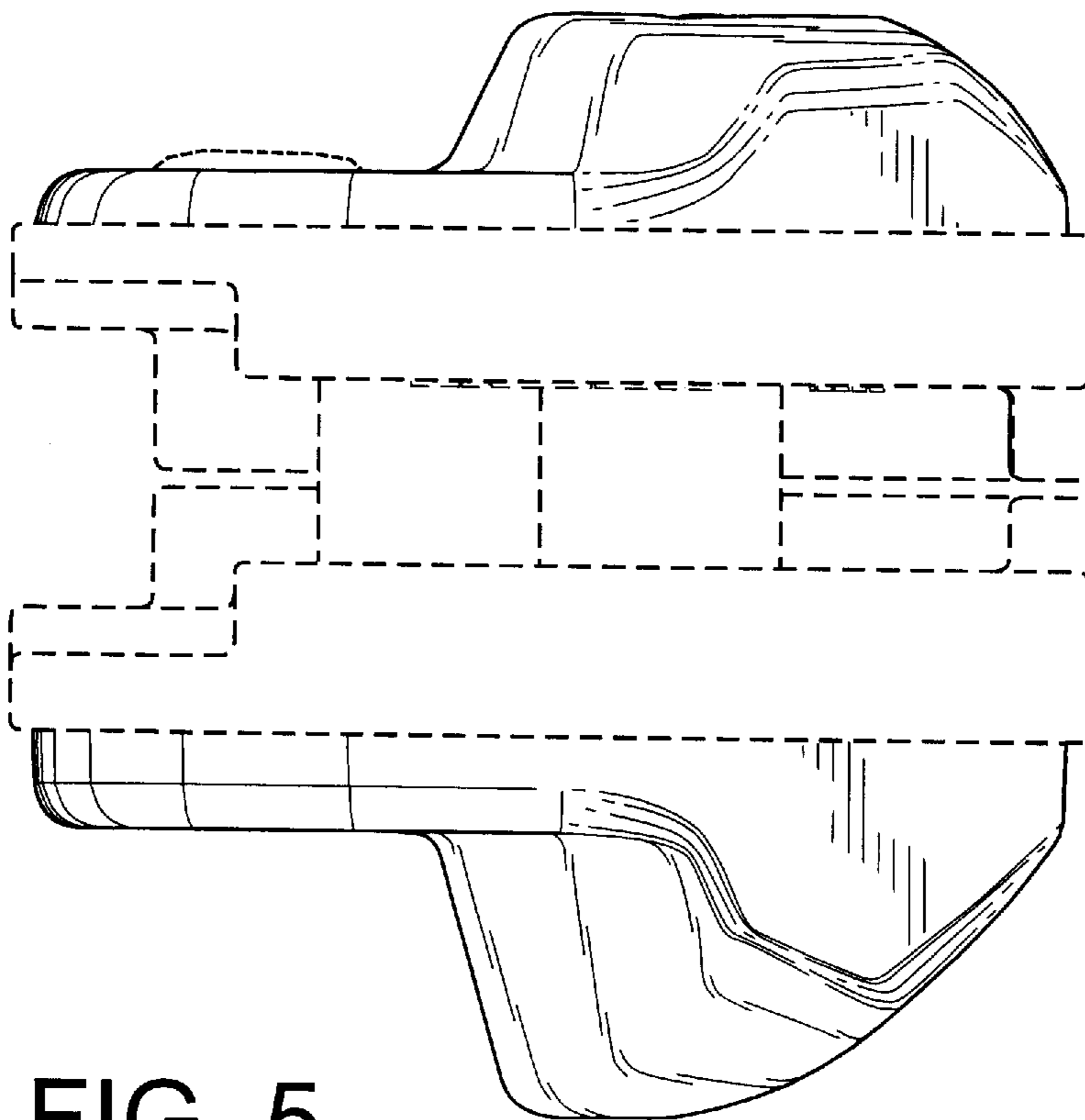


FIG. 5

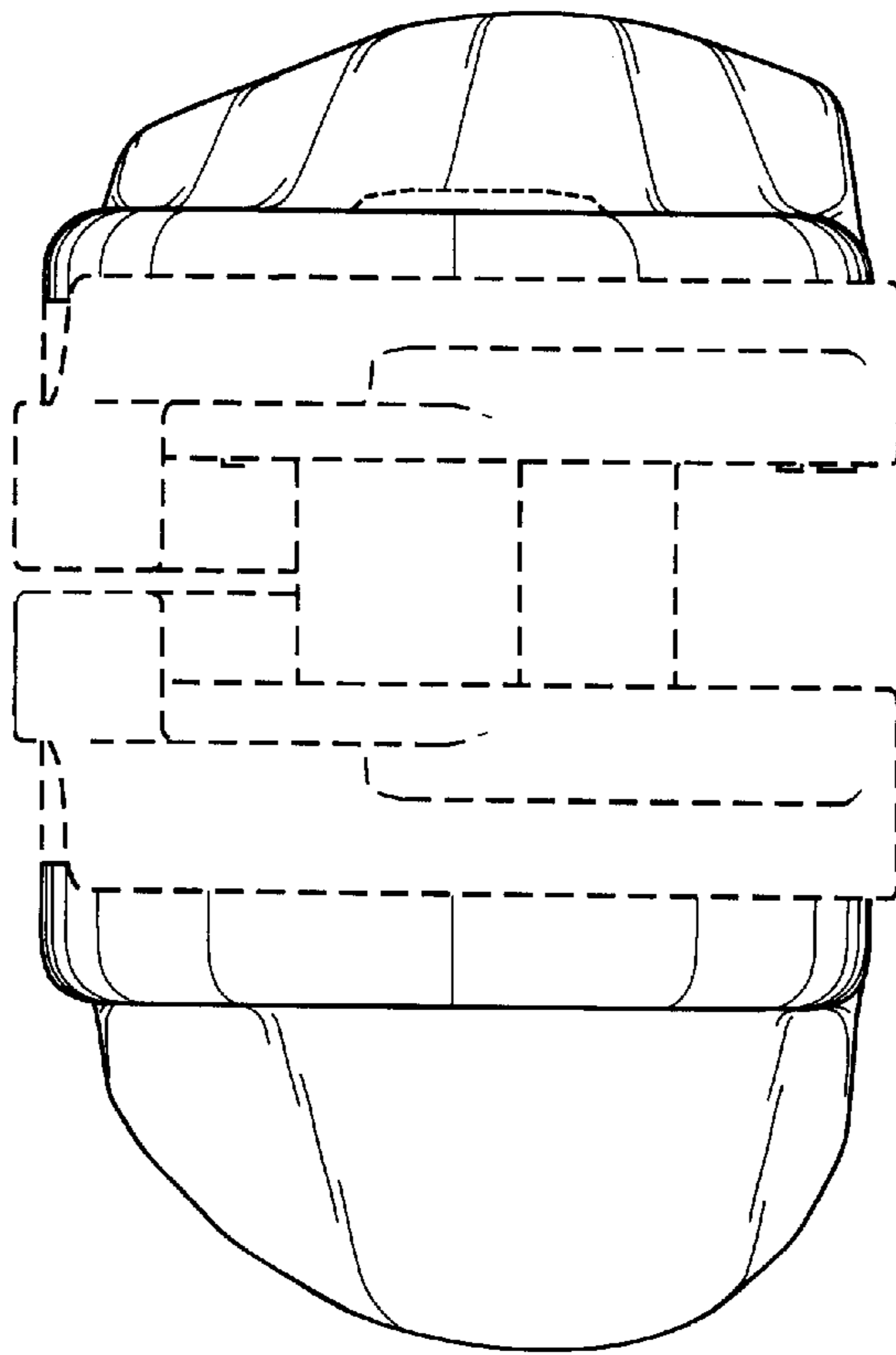


FIG. 6

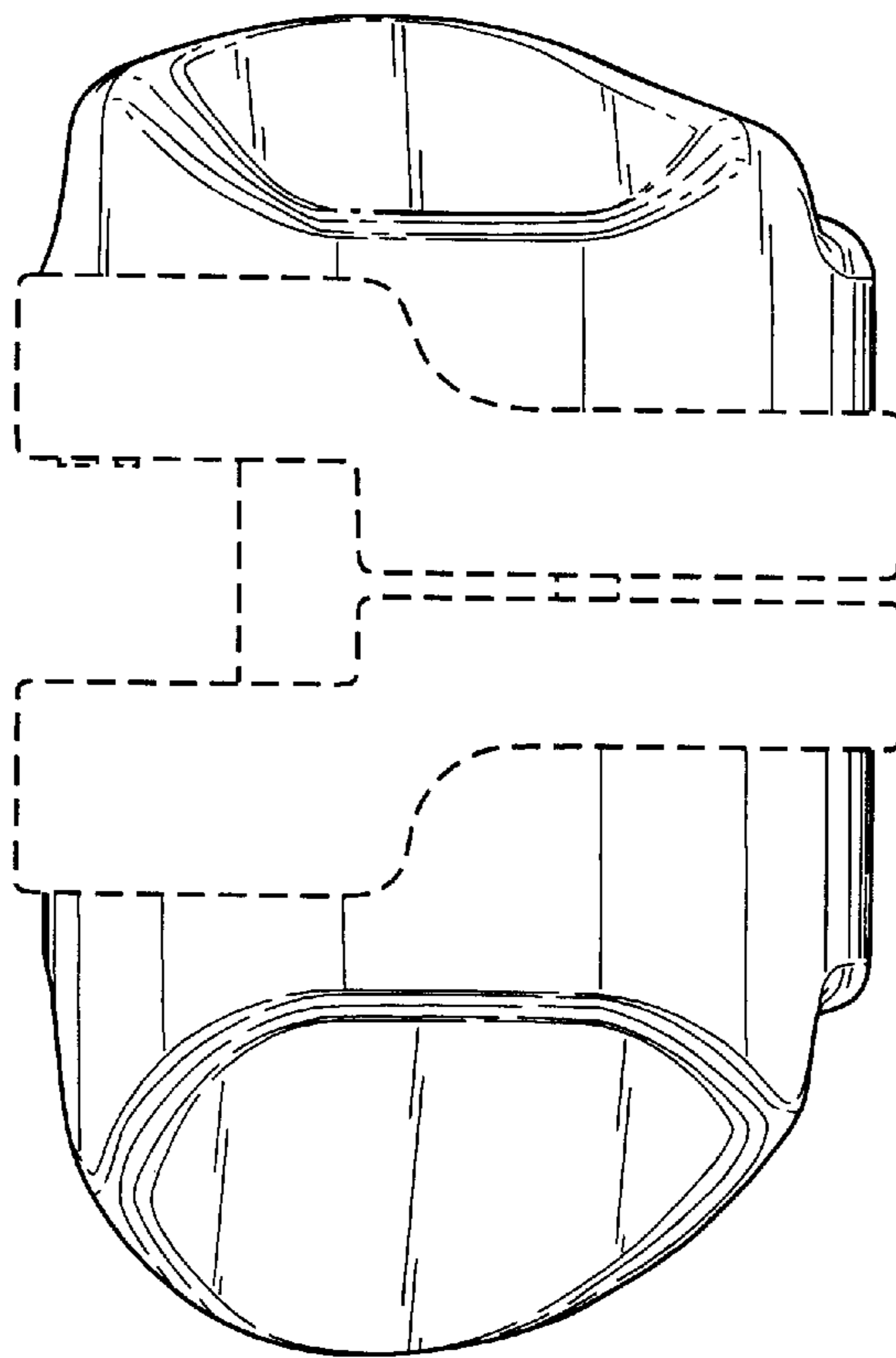


FIG. 7