



US00D462734S

(12) **United States Design Patent**
Pelz

(10) **Patent No.:** **US D462,734 S**

(45) **Date of Patent:** **** Sep. 10, 2002**

(54) **PUTTING TRAINER**

(76) Inventor: **David T. Pelz**, 1310 Ranch Rd. 620,
South, Suite B-1, Austin, TX (US)
78734

(**) Term: **14 Years**

(21) Appl. No.: **29/144,459**

(22) Filed: **Jul. 5, 2001**

(51) **LOC (7) Cl.** **21-02**

(52) **U.S. Cl.** **D21/792**

(58) **Field of Search** D21/789, 791,
D21/792; 473/257, 278, 160, 251-254,
162, 173, 174

(56) **References Cited**

U.S. PATENT DOCUMENTS

D338,512 S	*	8/1993	Crow et al.	D21/791
D354,107 S	*	1/1995	Kueng et al.	D21/791
D374,053 S	*	9/1996	Daniel	D21/792
D384,385 S	*	9/1997	Farage	D21/791

* cited by examiner

Primary Examiner—Mitchell Siegel

(74) *Attorney, Agent, or Firm*—Welsh & Flaxman LLC

(57) **CLAIM**

The ornamental design for a putting trainer, as shown and described.

DESCRIPTION

FIG. 1 is a front perspective view of the present putting trainer.

FIG. 2 is a top view of the putting trainer.

FIG. 3 is a side view along the side edge of the putting trainer.

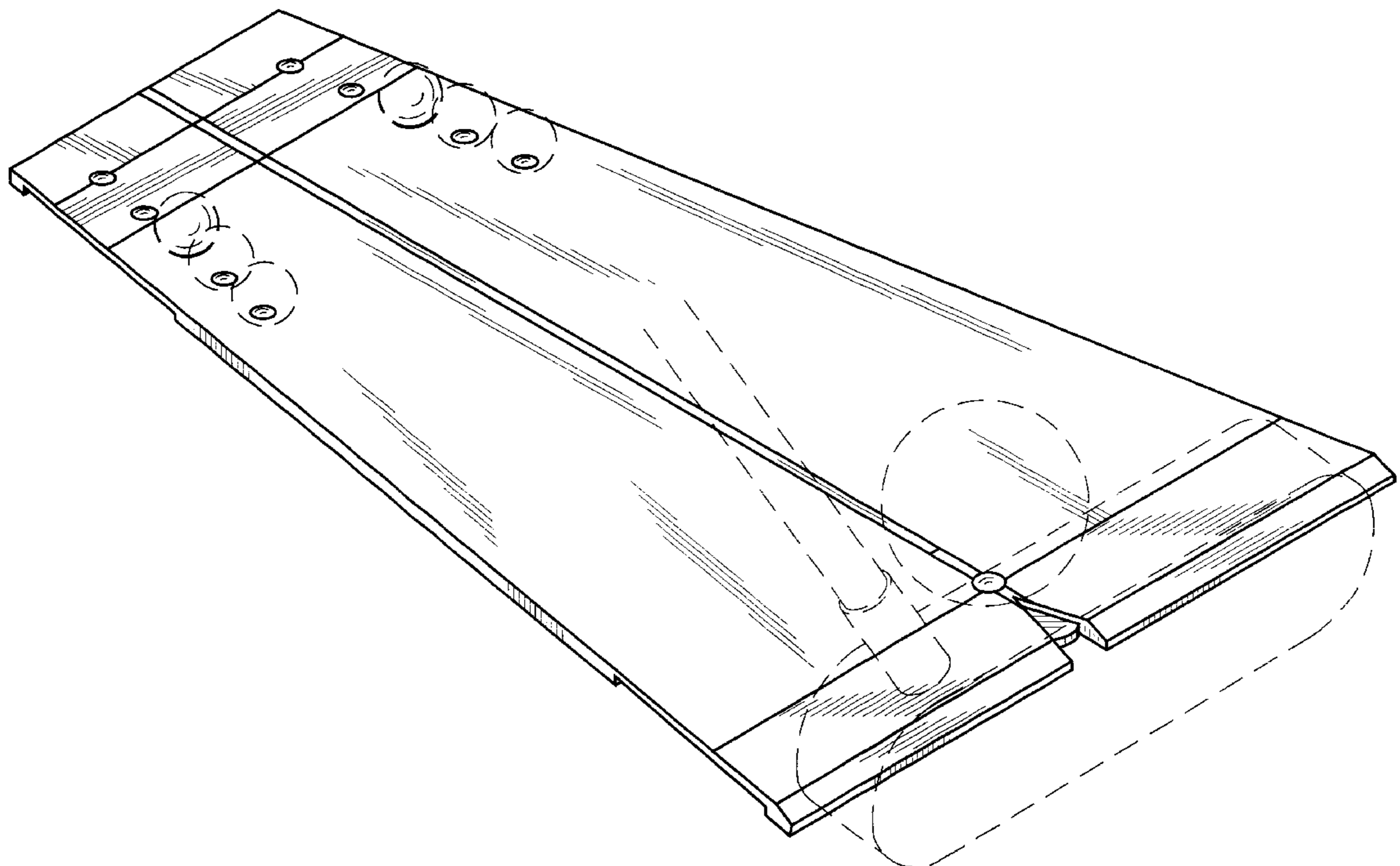
FIG. 4 is a side view along the front edge of the putting trainer.

FIG. 5 is a side view along the rear edge of the putting trainer; and,

FIG. 6 is a bottom view of the putting trainer.

The broken line showing is for illustrative purposes only and forms no part of the claimed design.

1 Claim, 4 Drawing Sheets



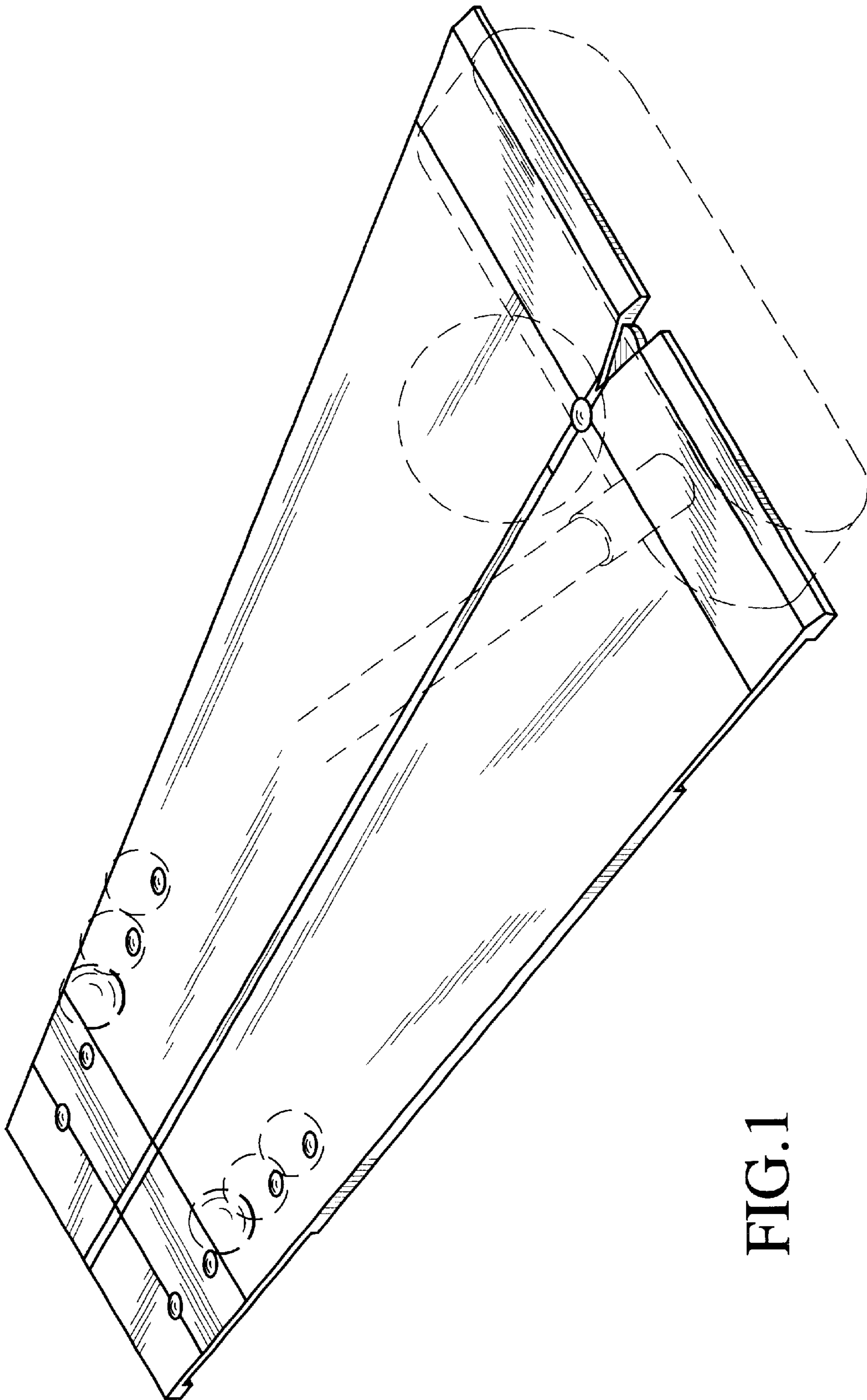


FIG.1

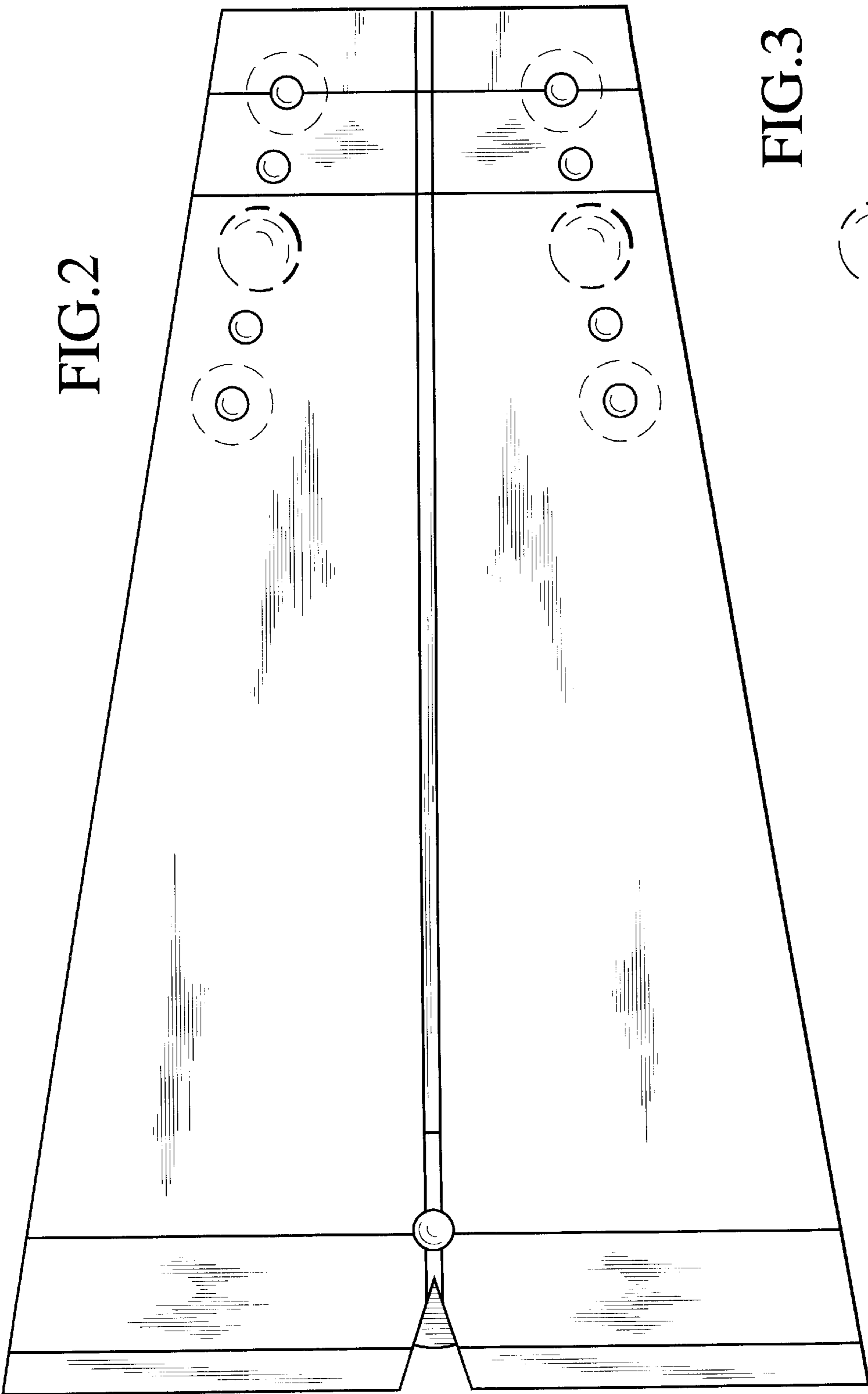


FIG. 2

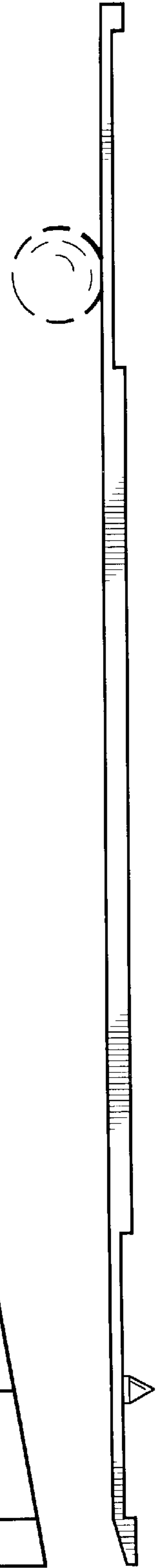


FIG. 3

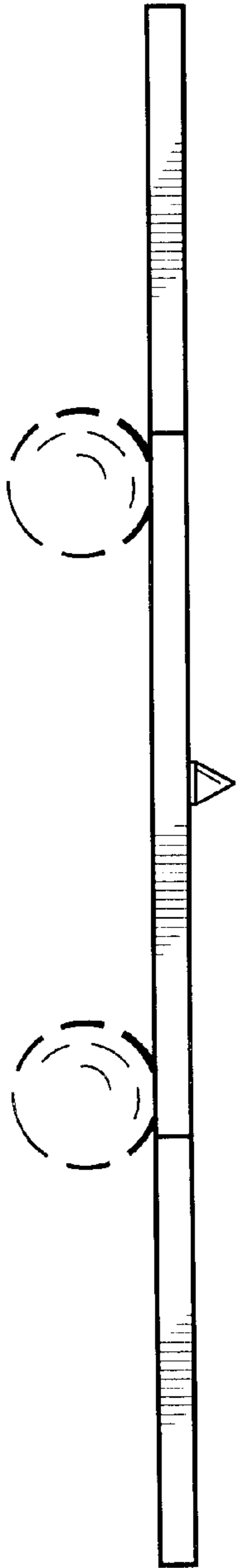


FIG. 4

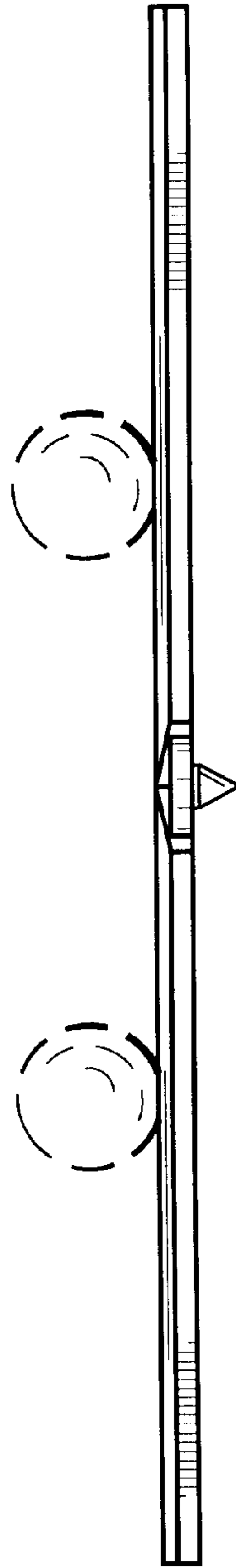


FIG. 5

