



US00D462733S

(12) **United States Design Patent**  
**Smith, IV**

(10) **Patent No.:** **US D462,733 S**

(45) **Date of Patent:** **\*\* Sep. 10, 2002**

(54) **BASEBALL REBOUNDER**

(76) **Inventor:** **Christopher J. B. Smith, IV**, 900 Juno  
Ocean Walk, Juno Beach, FL (US)  
33408

(\*\*) **Term:** **14 Years**

(21) **Appl. No.:** **29/148,668**

(22) **Filed:** **Sep. 25, 2001**

(51) **LOC (7) Cl.** ..... **21-02**

(52) **U.S. Cl.** ..... **D21/780**

(58) **Field of Search** ..... D21/698, 704,  
D21/780; 473/110, 112, 421, 422, 434,  
435, 454, 456

(56) **References Cited**

**U.S. PATENT DOCUMENTS**

1,142,184 A	*	6/1915	Lawrence	.....	D21/780
D233,162 S	*	10/1974	Hayden	.....	D21/780
D311,031 S	*	10/1990	Poitras	.....	D21/780
D354,992 S	*	1/1995	Hinsperger	.....	D21/780

5,803,841 A	*	9/1998	Daskoski	.....	473/454
5,938,546 A	*	8/1999	Caruso	.....	473/454
6,250,634 B1	*	6/2001	Strain et al.	.....	473/454
6,299,554 B1	*	10/2001	Sinclair et al.	.....	473/454

\* cited by examiner

*Primary Examiner*—Dominic Simone  
(74) *Attorney, Agent, or Firm*—R. Gale Rhodes, Jr.

(57) **CLAIM**

I claim the ornamental design for the baseball rebounder, as shown and described.

**DESCRIPTION**

FIG. 1 is a front elevational view of a baseball rebounder showing my new design;  
FIG. 2 is a top view thereof;  
FIG. 3 is a bottom view thereof;  
FIG. 4 is a left side view thereof; the right side view is the mirror image of FIG. 4;  
FIG. 5 is a rear view thereof; and,  
FIG. 6 is a perspective view thereof.

**1 Claim, 4 Drawing Sheets**

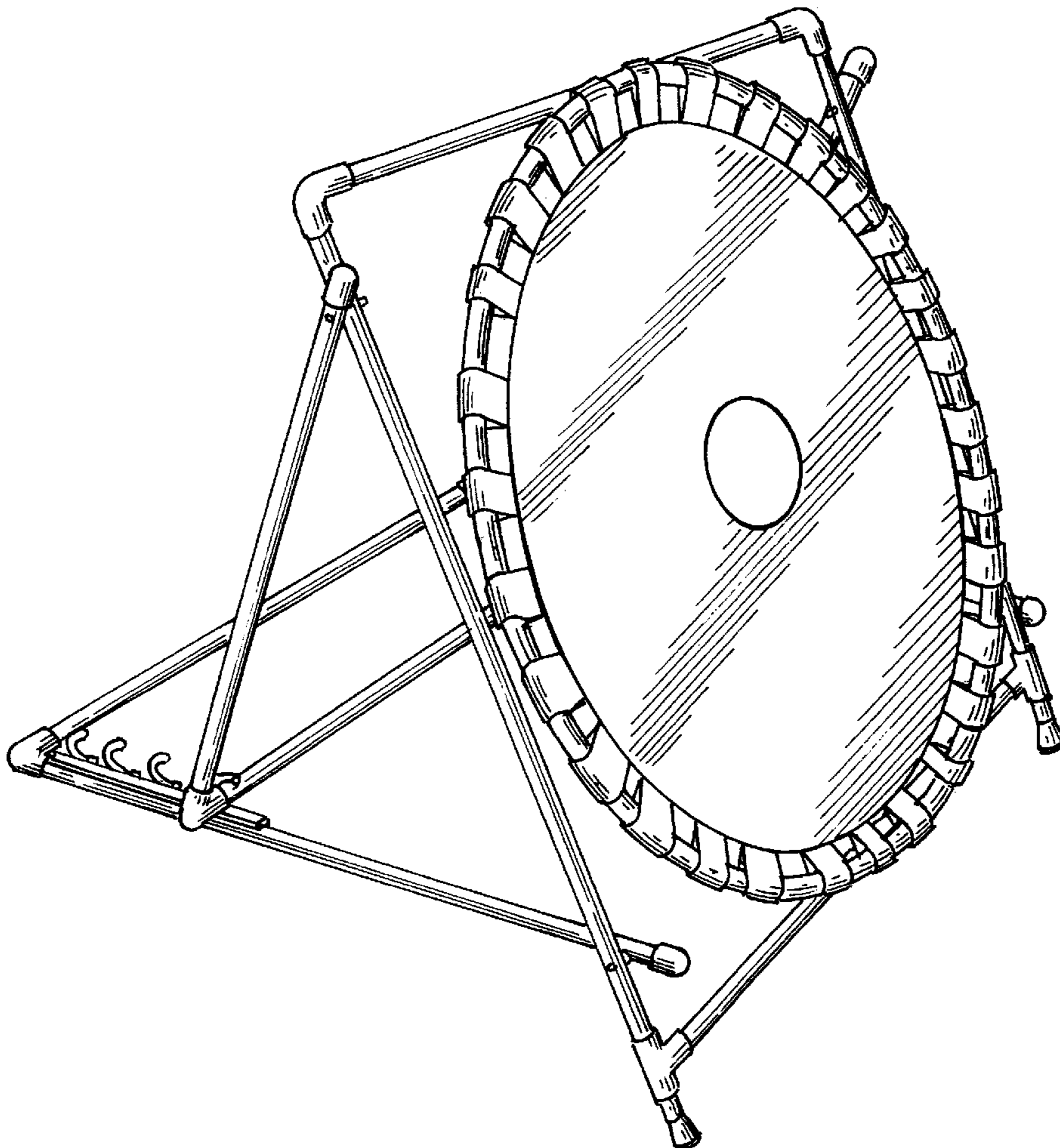


FIG. 1

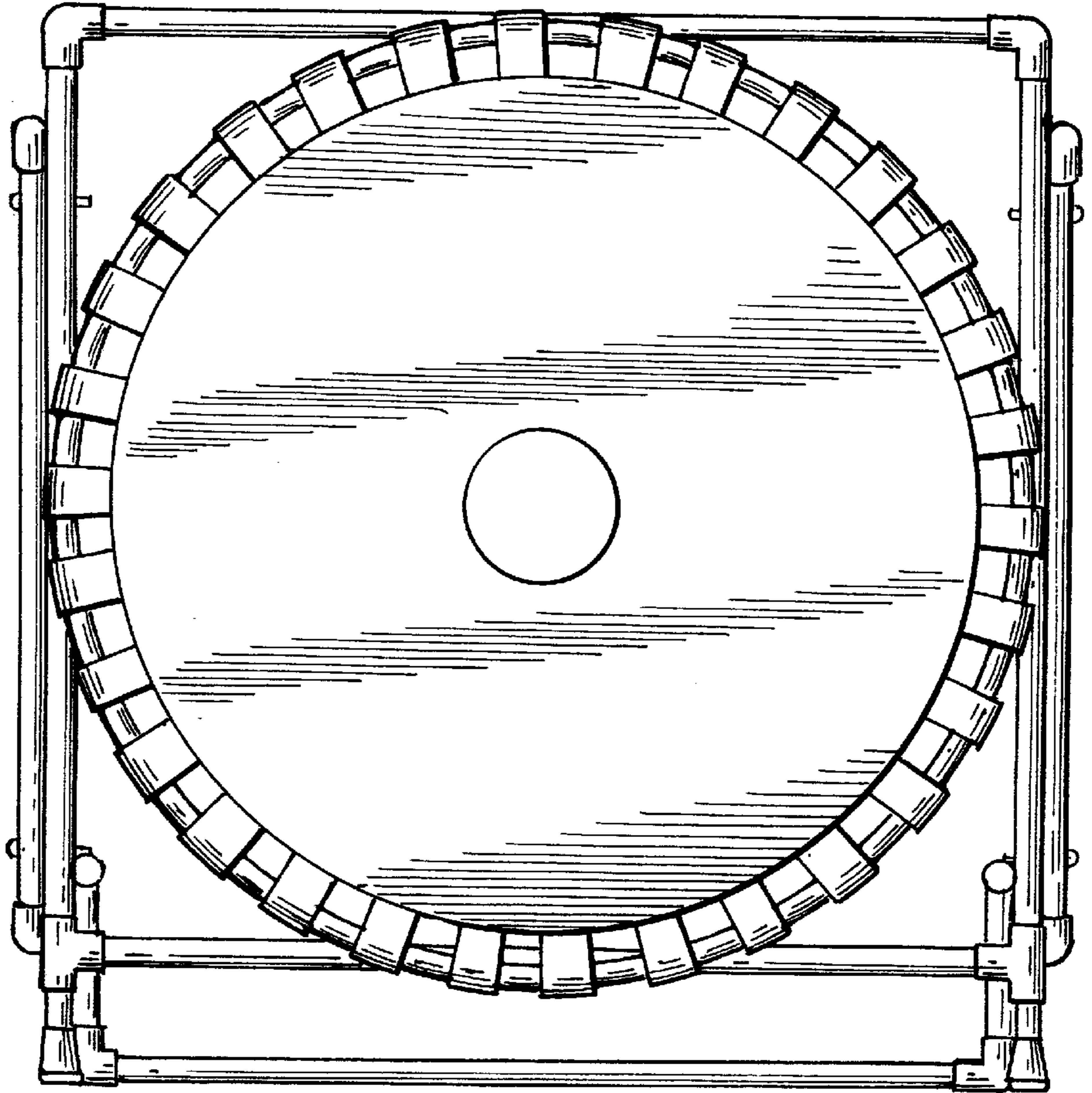


FIG. 2

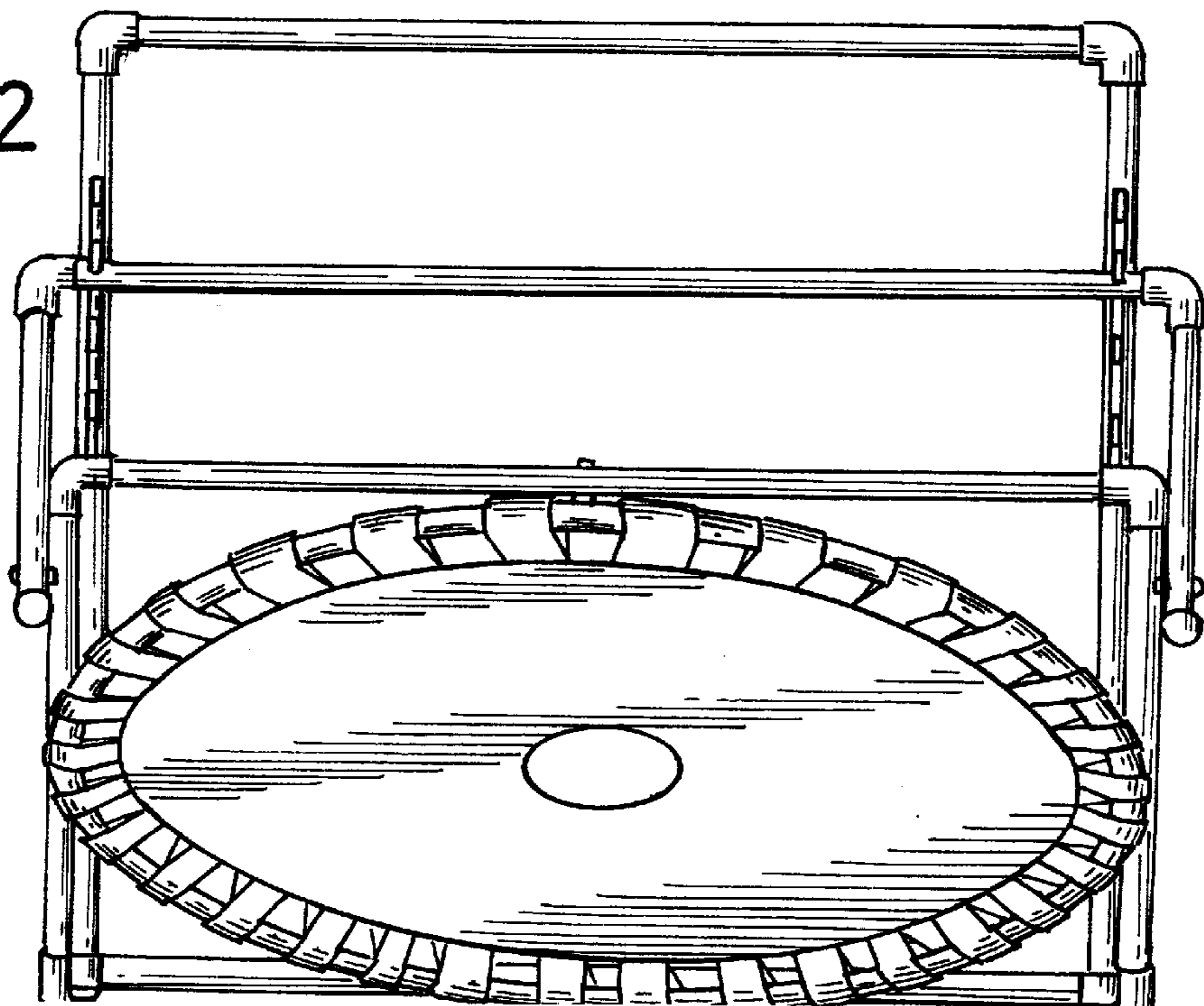
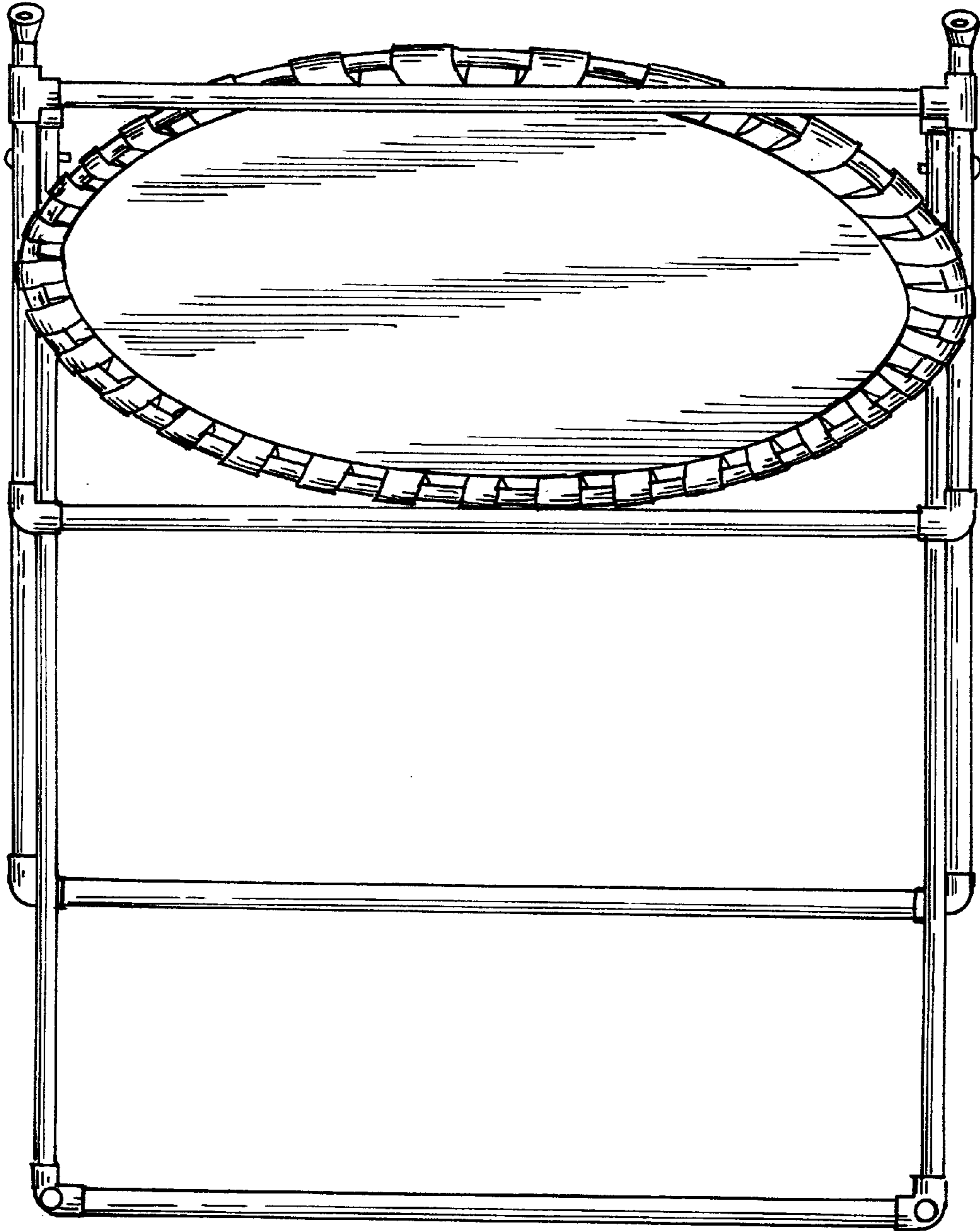


FIG. 3



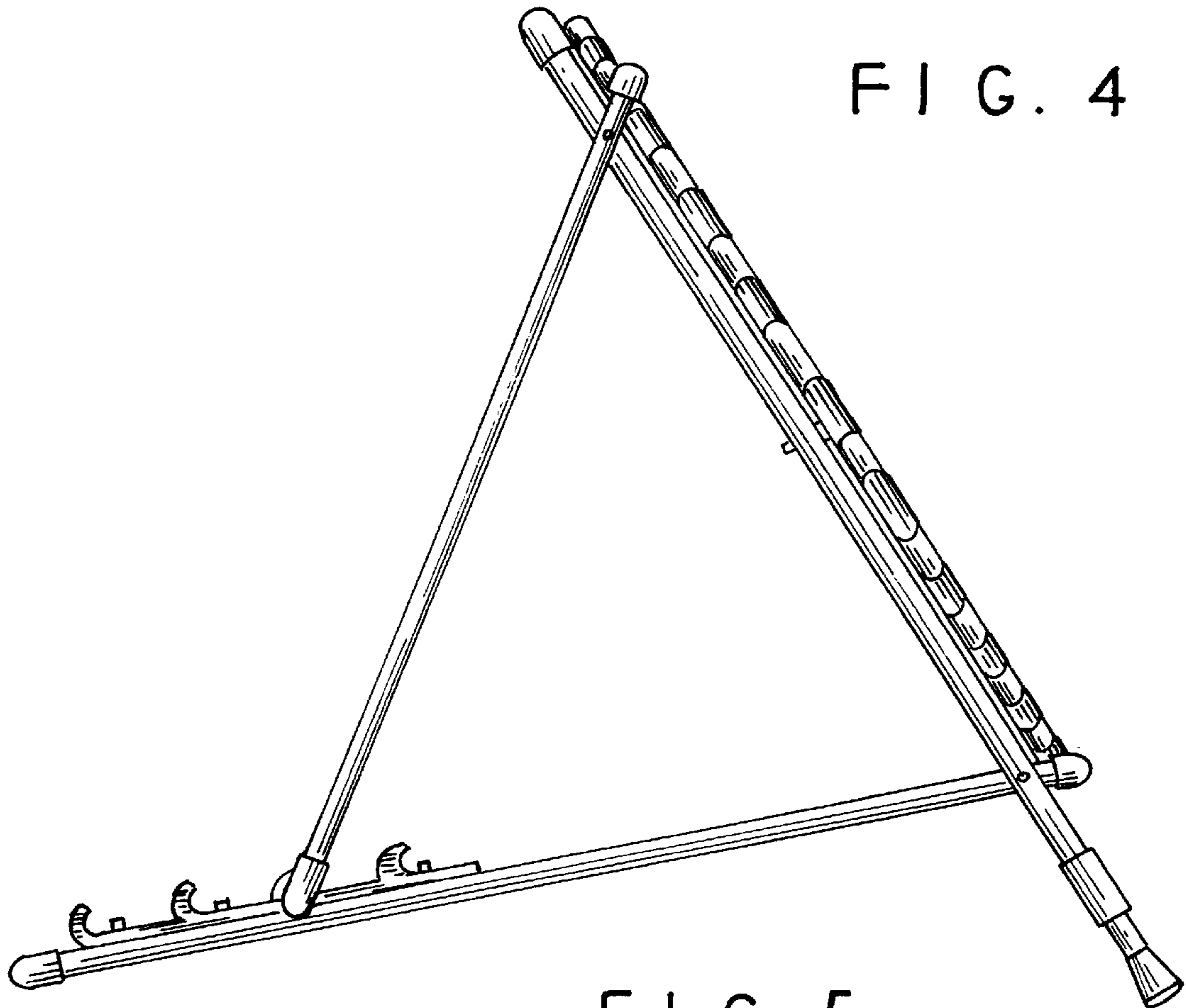


FIG. 4

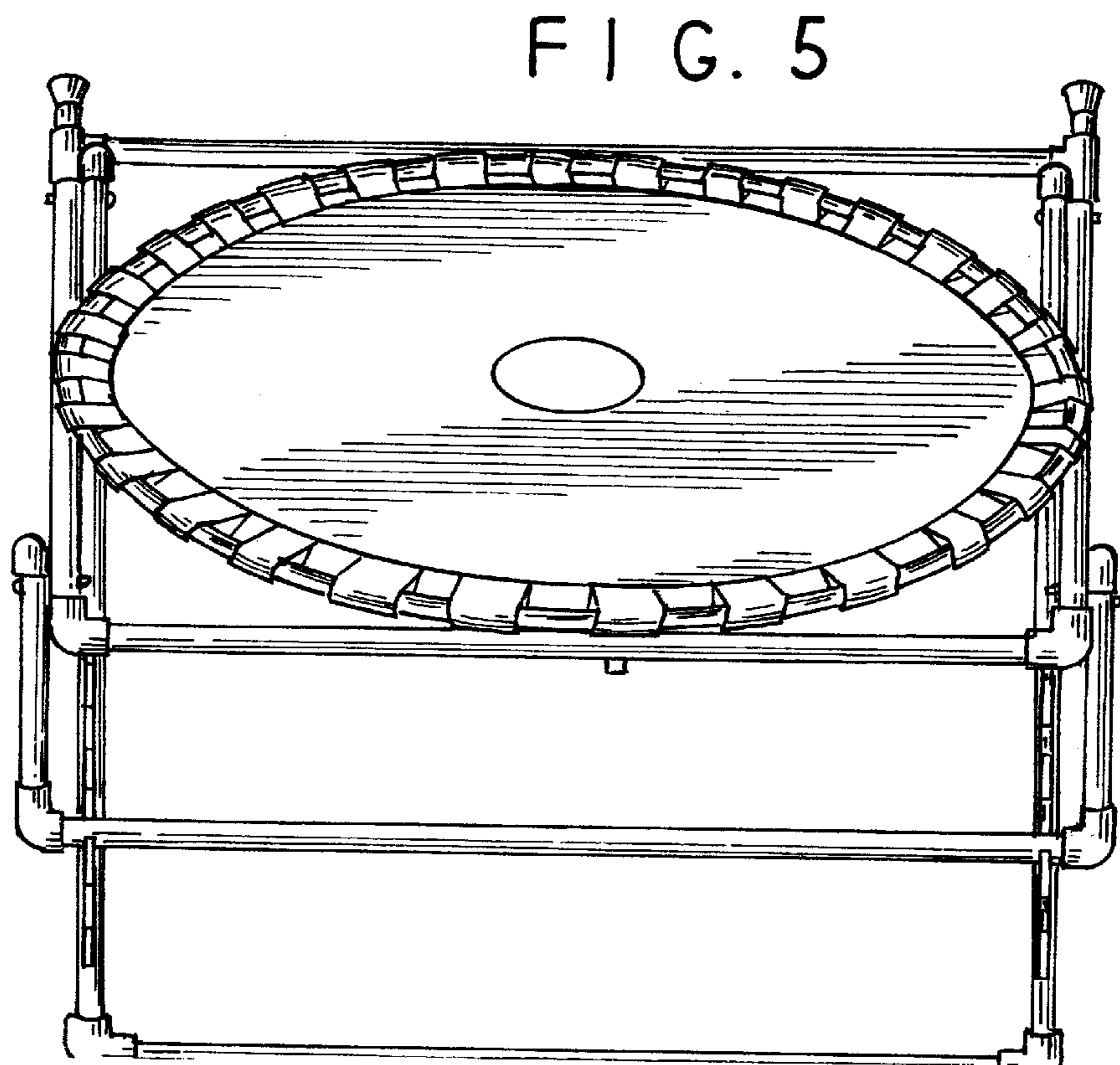


FIG. 5

FIG. 6

