



US00D462731S

(12) **United States Design Patent**
Ish, III et al.

(10) **Patent No.: US D462,731 S**
(45) **Date of Patent: ** Sep. 10, 2002**

(54) **PAD ASSEMBLY FOR EXERCISE APPARATUS**

(75) Inventors: **A. Buell Ish, III**, Redmond, WA (US);
Shan Eugene Gaw, Bellevue, WA (US)

(73) Assignee: **Vectra Fitness, Inc.**, Kent, WA (US)

(**) Term: **14 Years**

(21) Appl. No.: **29/136,907**

(22) Filed: **Feb. 9, 2001**

(51) **LOC (7) Cl.** **21-02**

(52) **U.S. Cl.** **D21/694**

(58) **Field of Search** D21/662, 673,
D21/675, 676, 694, 695; 482/93, 94, 97,
133, 135, 138, 148; D6/601

(56) **References Cited**

U.S. PATENT DOCUMENTS

4,746,114 A	*	5/1988	Grider	482/100
D303,696 S	*	9/1989	Carlson et al.	D21/676
5,395,295 A	*	3/1995	Ish, III	482/100
D366,917 S	*	2/1996	Clem	D21/690
D384,116 S	*	9/1997	Brefka et al.	D21/676
D384,117 S	*	9/1997	Piaget et al.	D21/676

D384,851 S	*	10/1997	Heginbottom	D6/601
D390,287 S	*	2/1998	Hsieh et al.	D21/676
D442,005 S	*	5/2001	Boese	D6/601
D444,518 S	*	7/2001	Webber	D21/694

* cited by examiner

Primary Examiner—Philip S. Hyder

(74) *Attorney, Agent, or Firm*—Dorsey & Whitney LLP

(57) **CLAIM**

The ornamental design for a pad assembly for exercise apparatus, as shown and described.

DESCRIPTION

FIG. 1 is a front isometric view of a pad assembly for exercise apparatus showing our new design in isolation.

FIG. 2 is a front elevational view thereof.

FIG. 3 is a rear elevational view thereof.

FIG. 4 is a right side elevational view thereof.

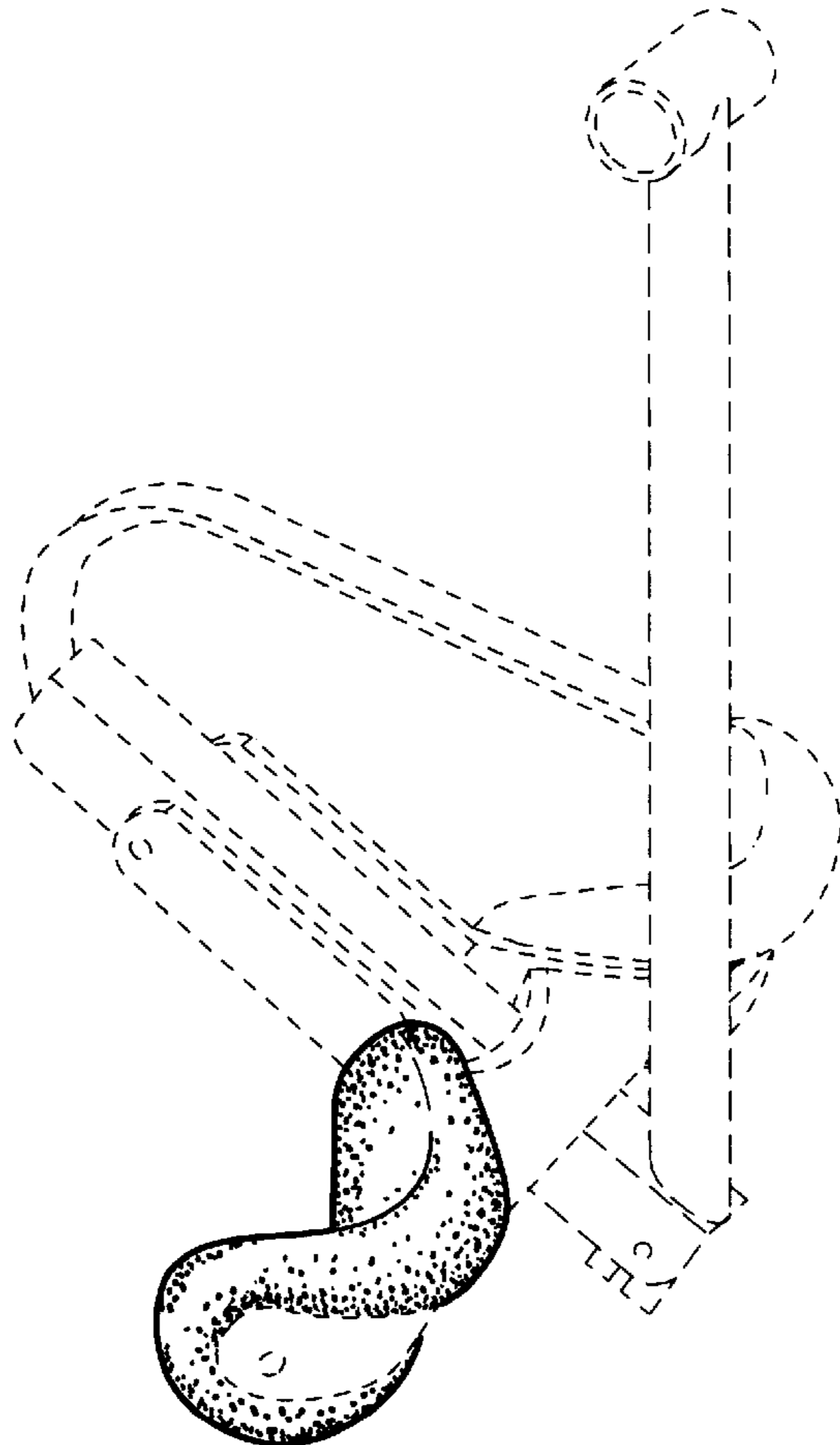
FIG. 5 is a left side elevational view thereof.

FIG. 6 is a top plan view thereof; and,

FIG. 7 is a bottom plan view thereof.

The broken line showing of representative operating environments in the figures is for illustrative purposes only and forms no part of the claimed design.

1 Claim, 3 Drawing Sheets



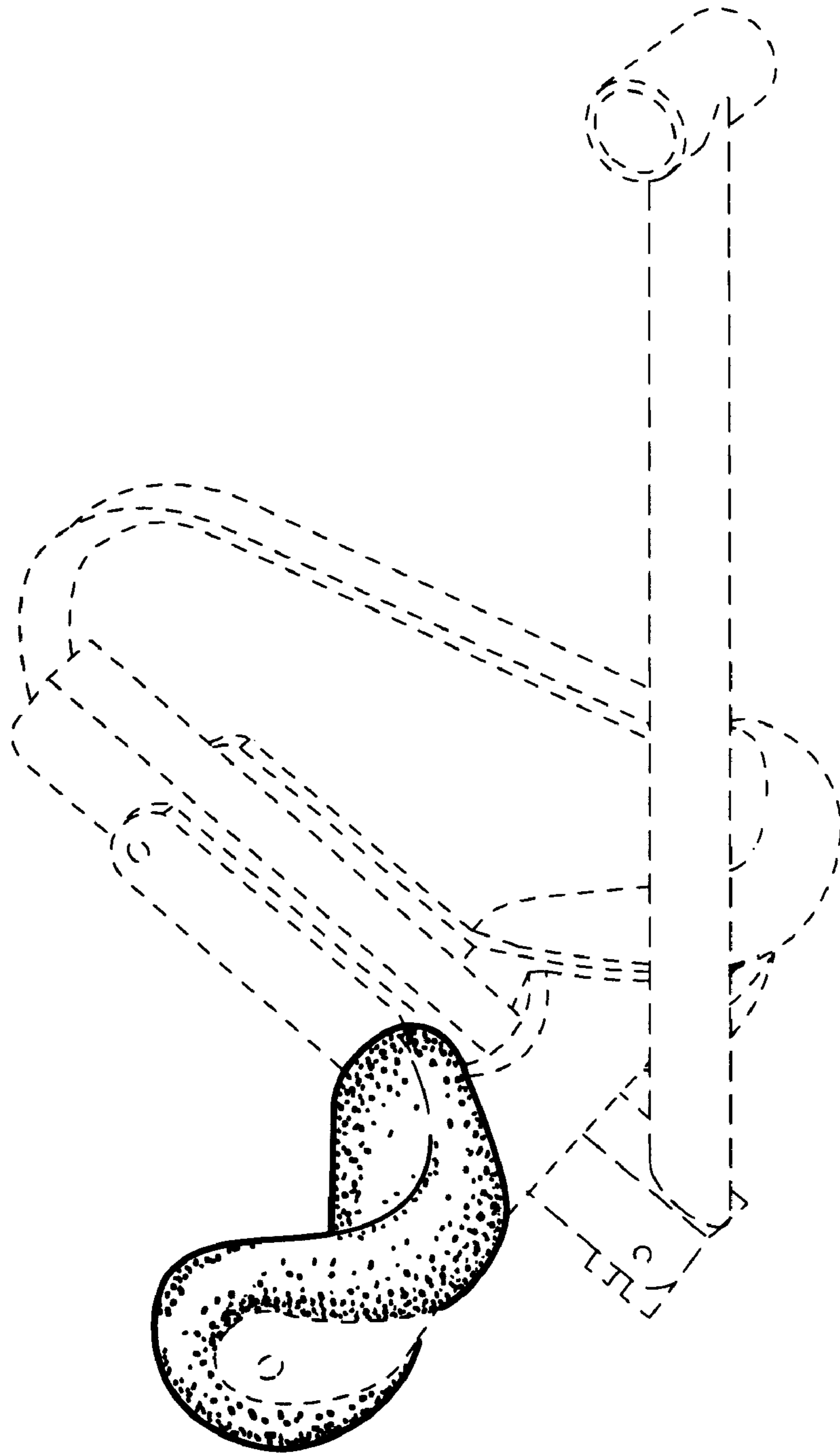


FIG. 1

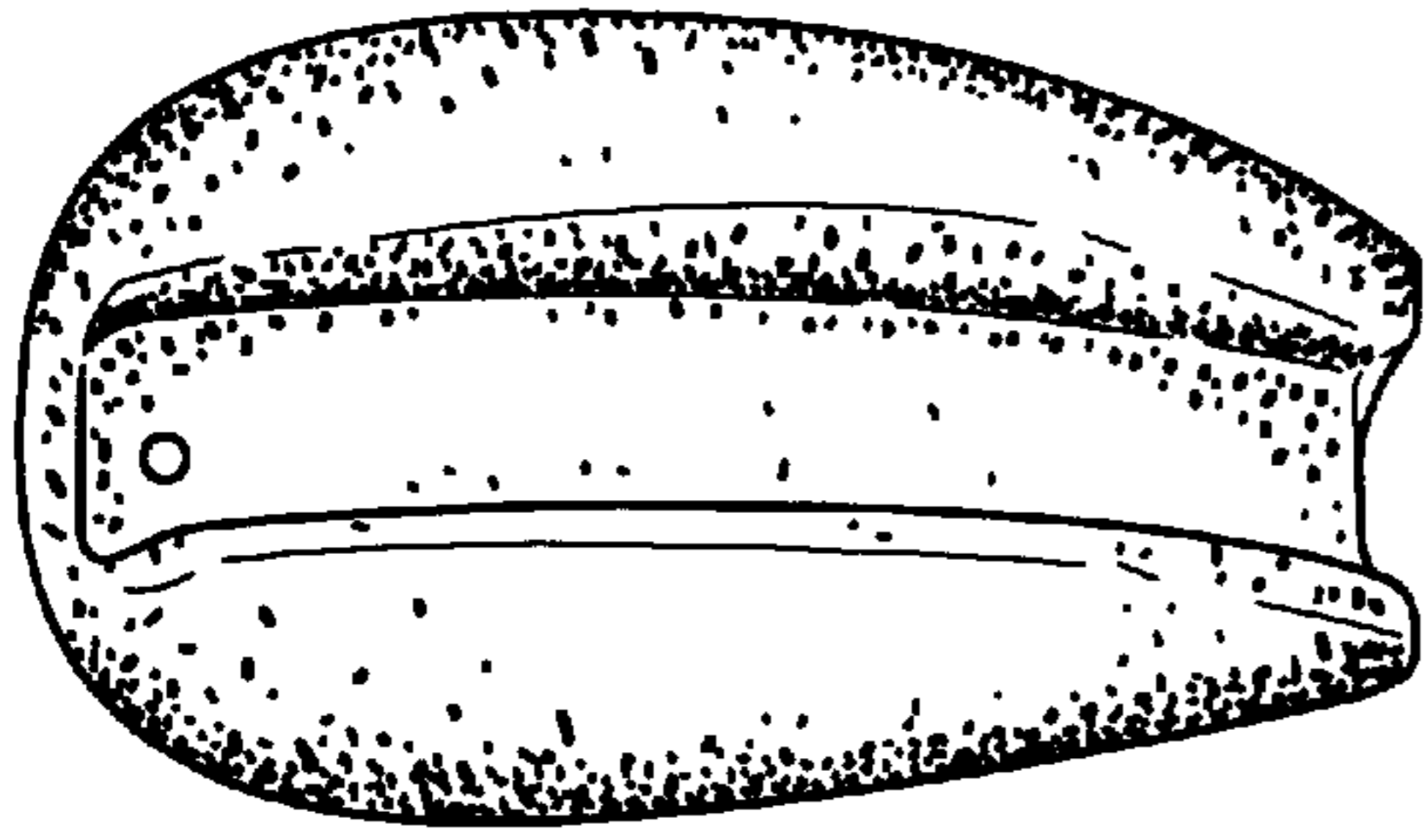


FIG. 2



FIG. 3

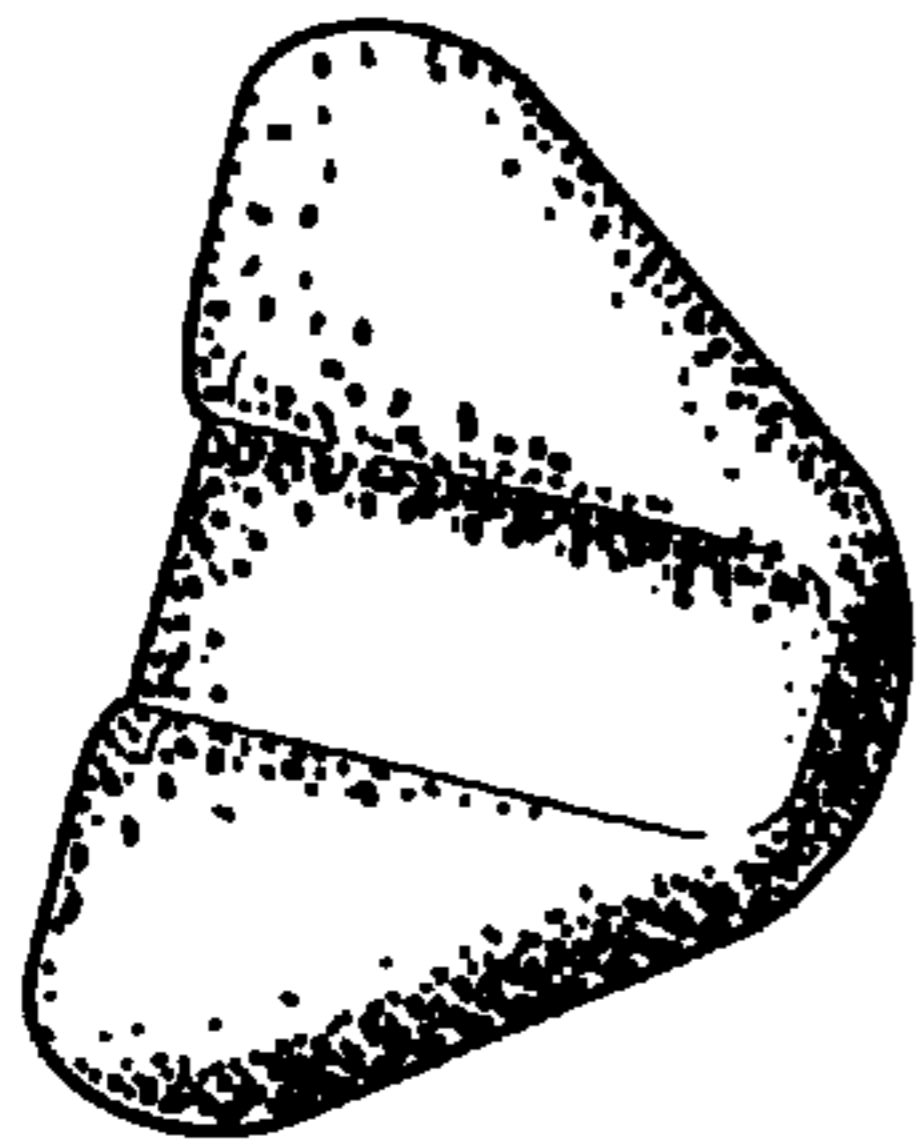


FIG. 4

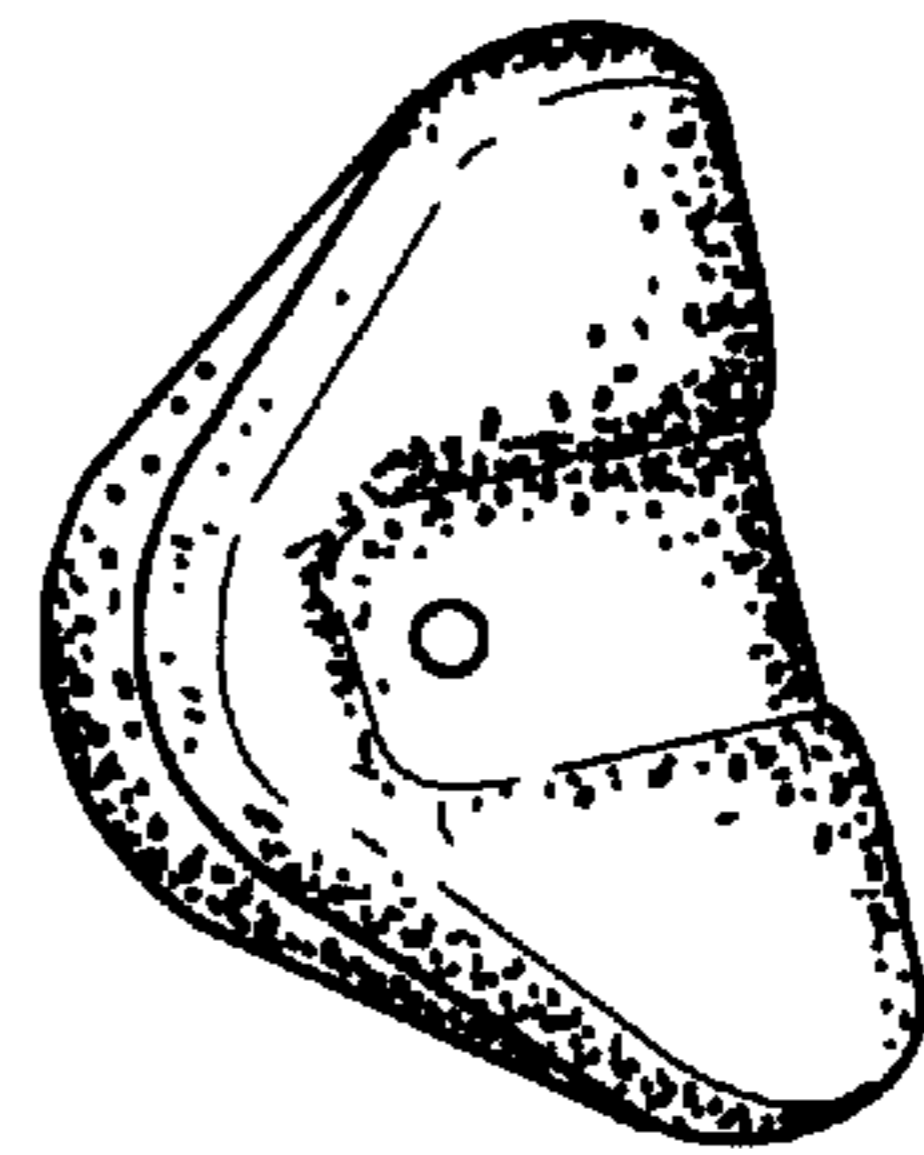


FIG. 5

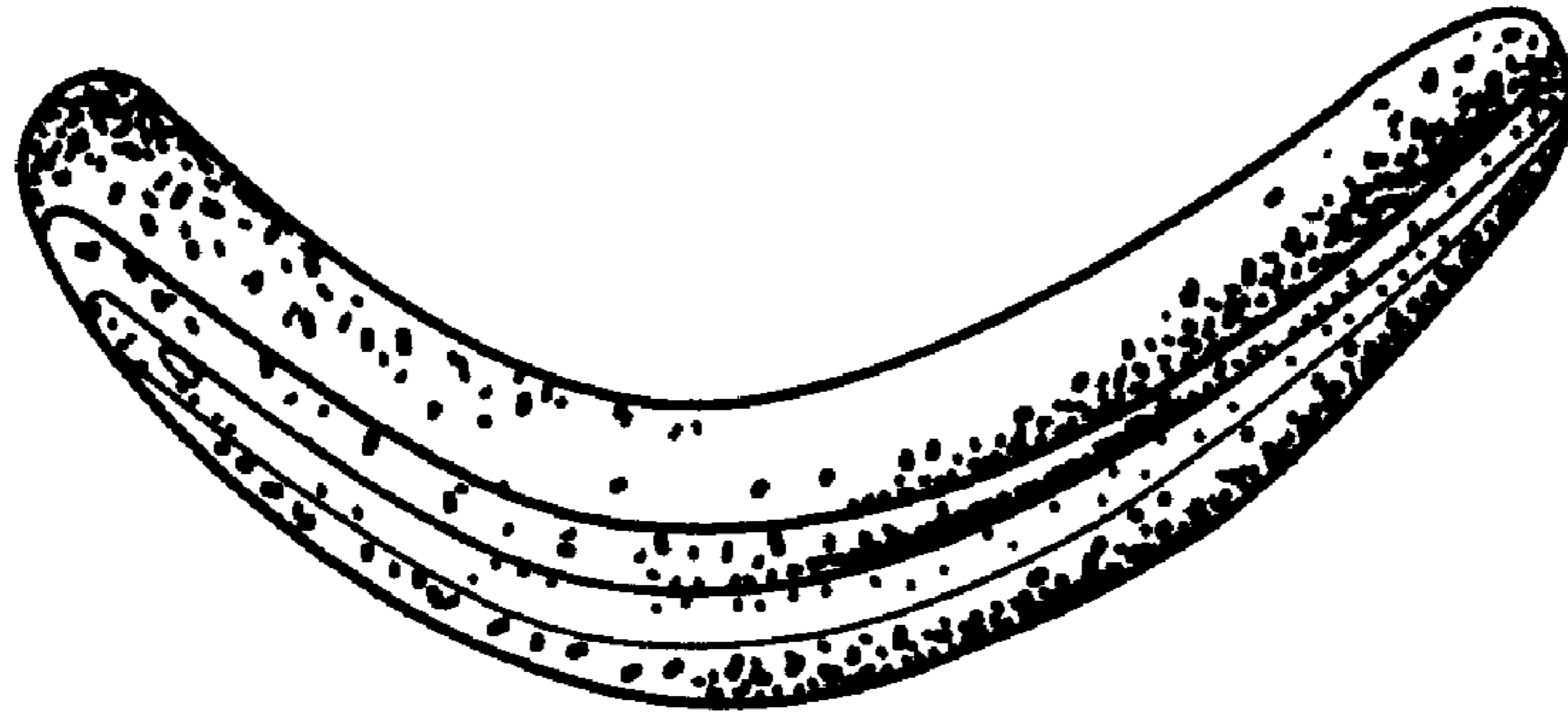


FIG. 6

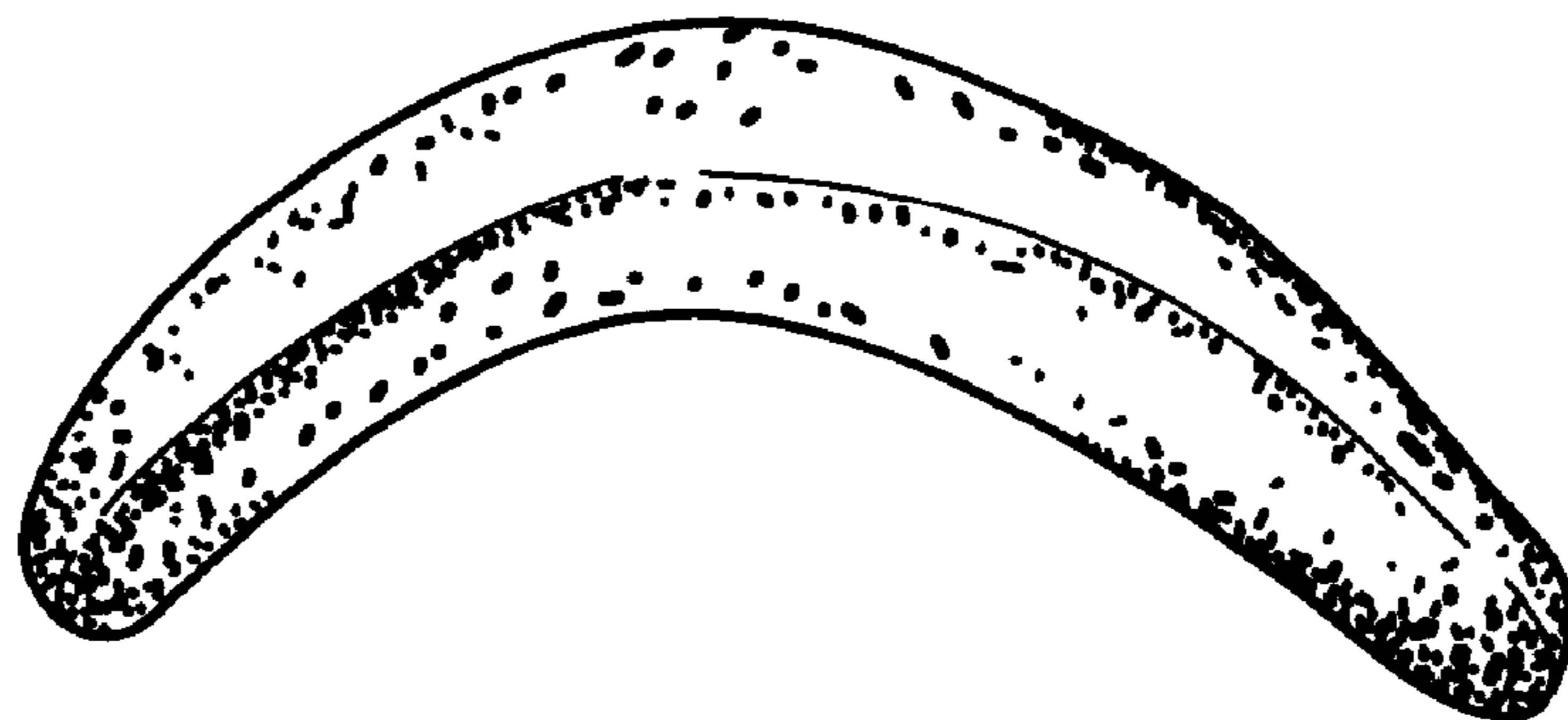


FIG. 7