



US00D462730S

(12) **United States Design Patent**  
**Cormier**

(10) **Patent No.:** **US D462,730 S**

(45) **Date of Patent:** **\*\* Sep. 10, 2002**

(54) **SAFETY BENCH-PRESSING APPARATUS**

(76) **Inventor:** **Gary Cormier**, 4 S. Charles St.,  
Bradford, MA (US) 01835

(\*\*) **Term:** **14 Years**

(21) **Appl. No.:** **29/152,011**

(22) **Filed:** **Dec. 6, 2001**

(51) **LOC (7) Cl.** ..... **21-02**

(52) **U.S. Cl.** ..... **D21/690; D21/676**

(58) **Field of Search** ..... **D21/662, 673,**  
**D21/674, 675, 676, 686, 690, 691; 482/92,**  
**93, 104, 142, 134, 138**

(56) **References Cited**

**U.S. PATENT DOCUMENTS**

5,350,346 A	*	9/1994	Martinez	482/104
D366,915 S	*	2/1996	Clem	D21/676
D384,116 S	*	9/1997	Brefka et al.	D21/676
D390,287 S	*	2/1998	Hsieh et al.	D21/676
D390,895 S	*	2/1998	Brefka et al.	D21/676
5,727,764 A	*	3/1998	Angeles	248/219.4

5,882,283 A \* 3/1999 Stevens ..... 482/104

5,989,166 A \* 11/1999 Capizzo et al. .... 482/104

5,993,360 A \* 11/1999 Stevens ..... 482/104

D427,652 S \* 7/2000 Webber ..... D21/676

6,264,586 B1 \* 7/2001 Webber ..... 482/104

\* cited by examiner

*Primary Examiner*—Philip S. Hyder

(74) *Attorney, Agent, or Firm*—Mark P. White

(57) **CLAIM**

The ornamental design for a safety bench-pressing apparatus, as shown and described.

**DESCRIPTION**

FIG. 1 is a perspective view of the safety bench-pressing apparatus.

FIG. 2 is a side elevation view thereof.

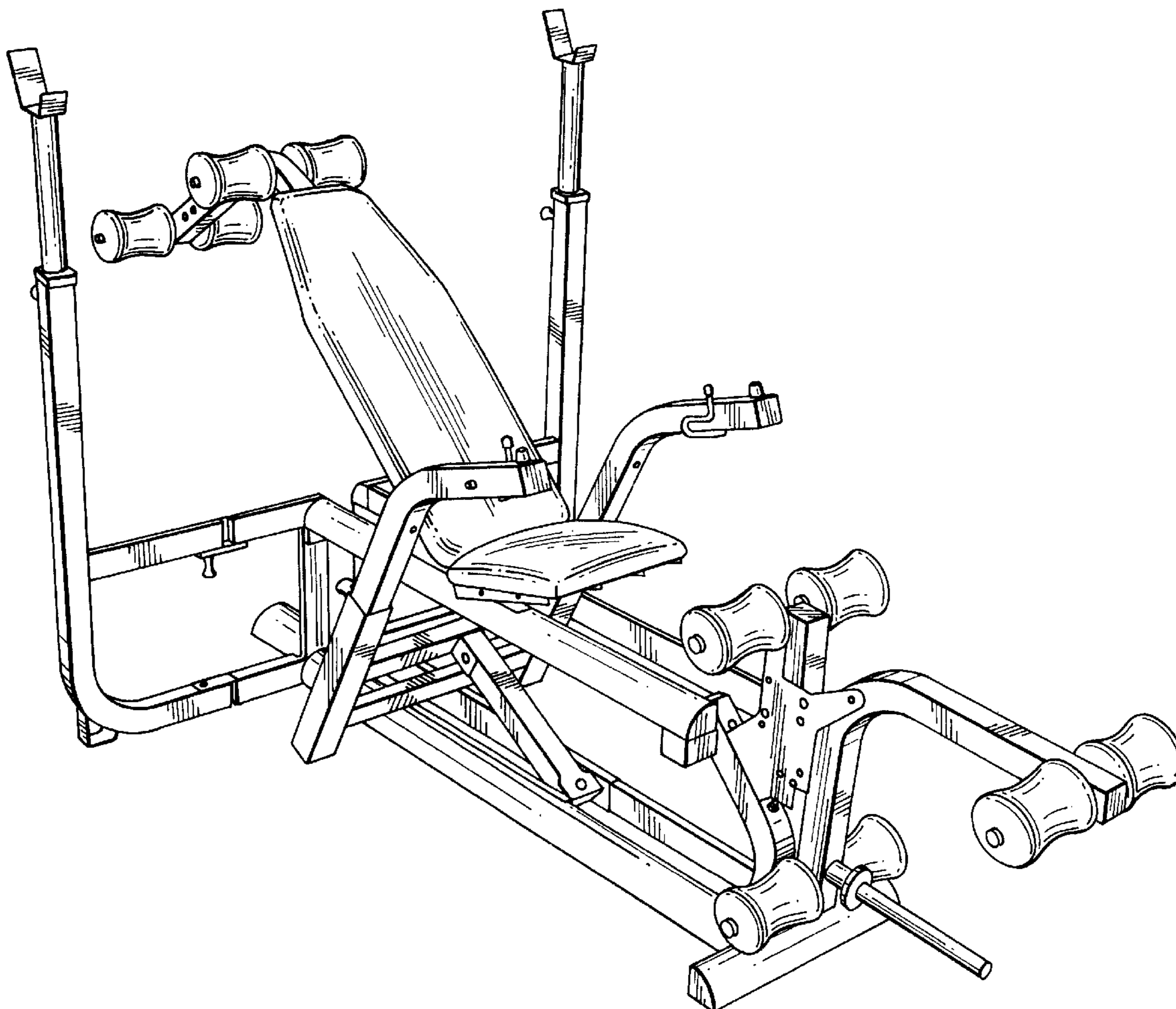
FIG. 3 is a top plan view thereof.

FIG. 4 is a bottom plan view thereof.

FIG. 5 is a front elevation view thereof; and,

FIG. 6 is a rear elevation view thereof.

**1 Claim, 6 Drawing Sheets**



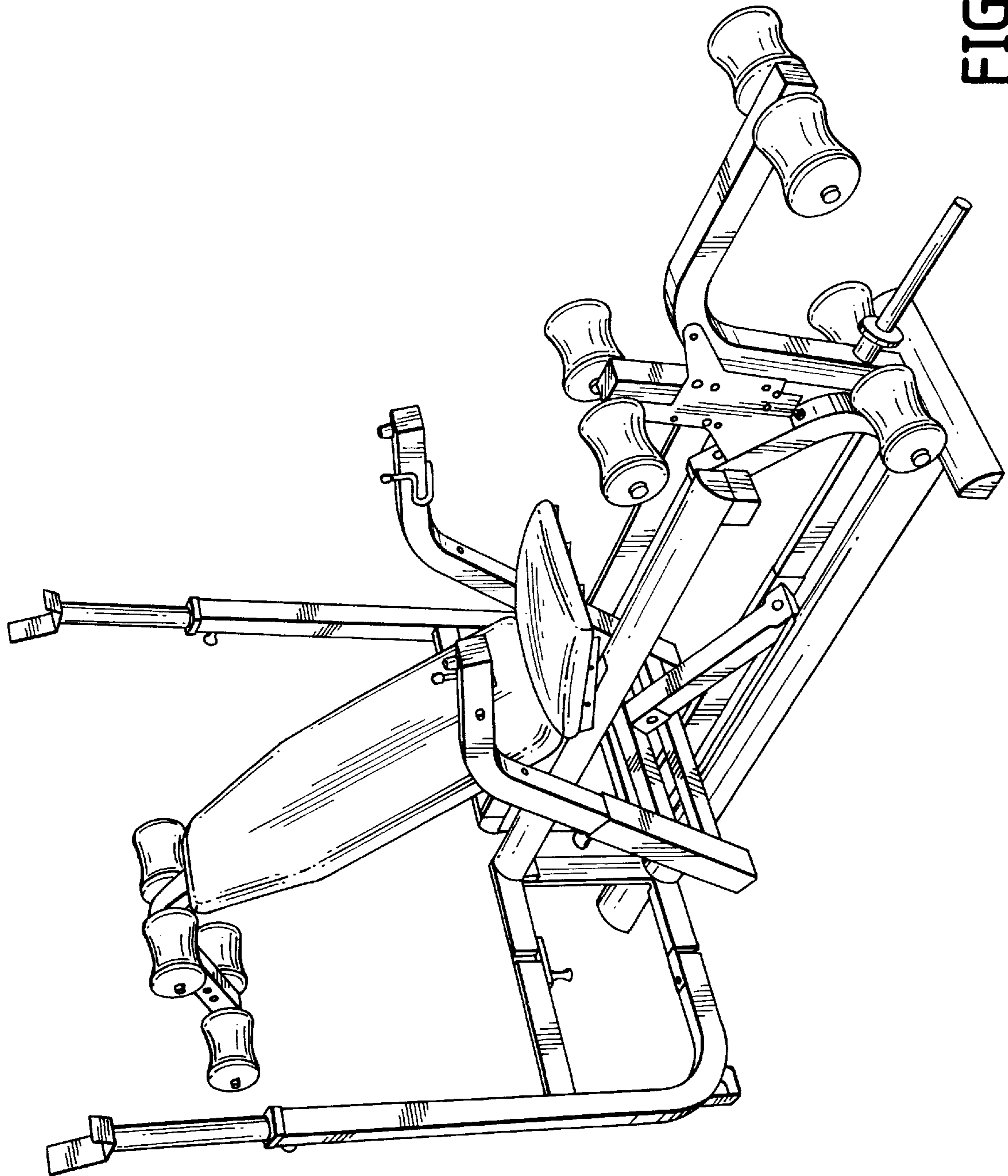


FIG. 1

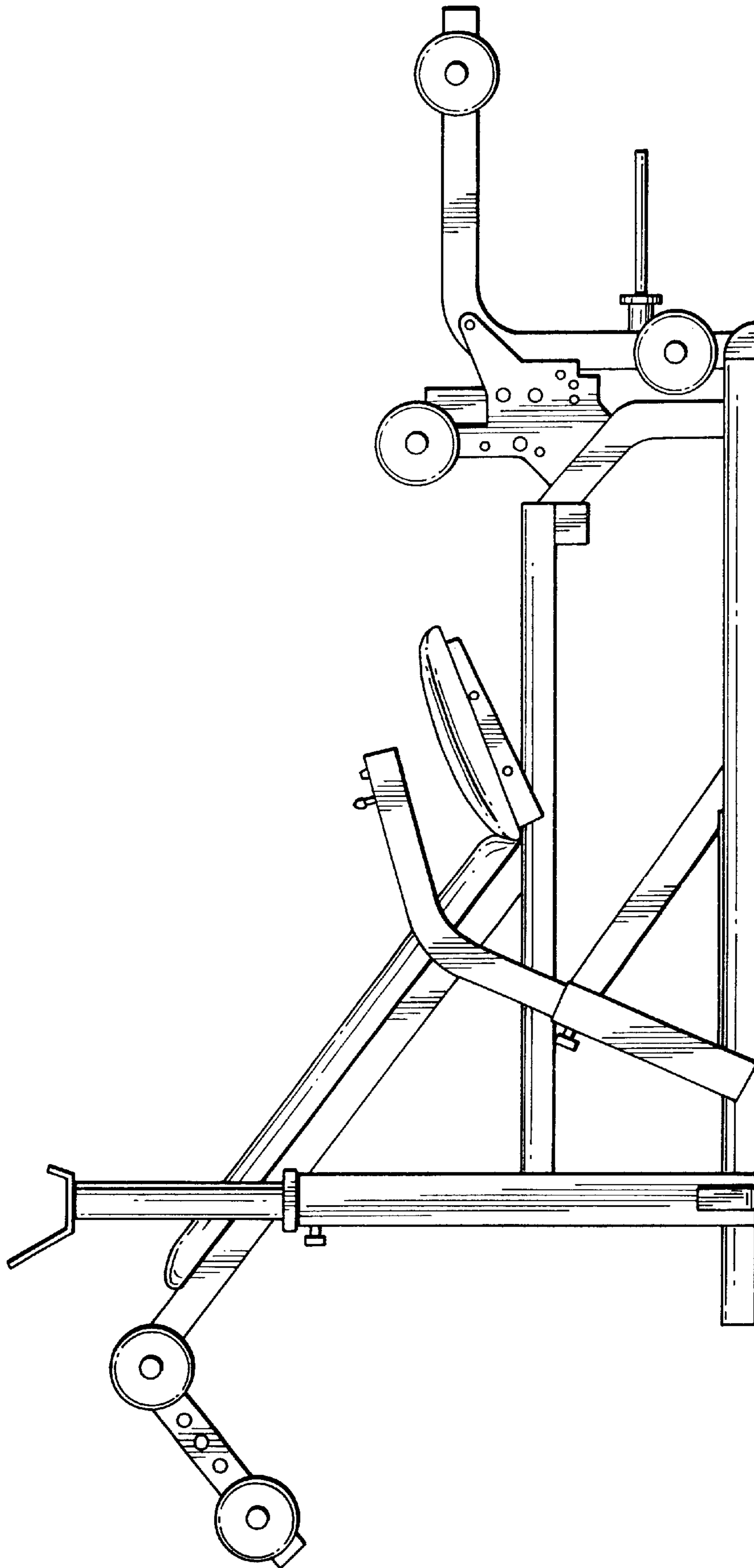


FIG. 2

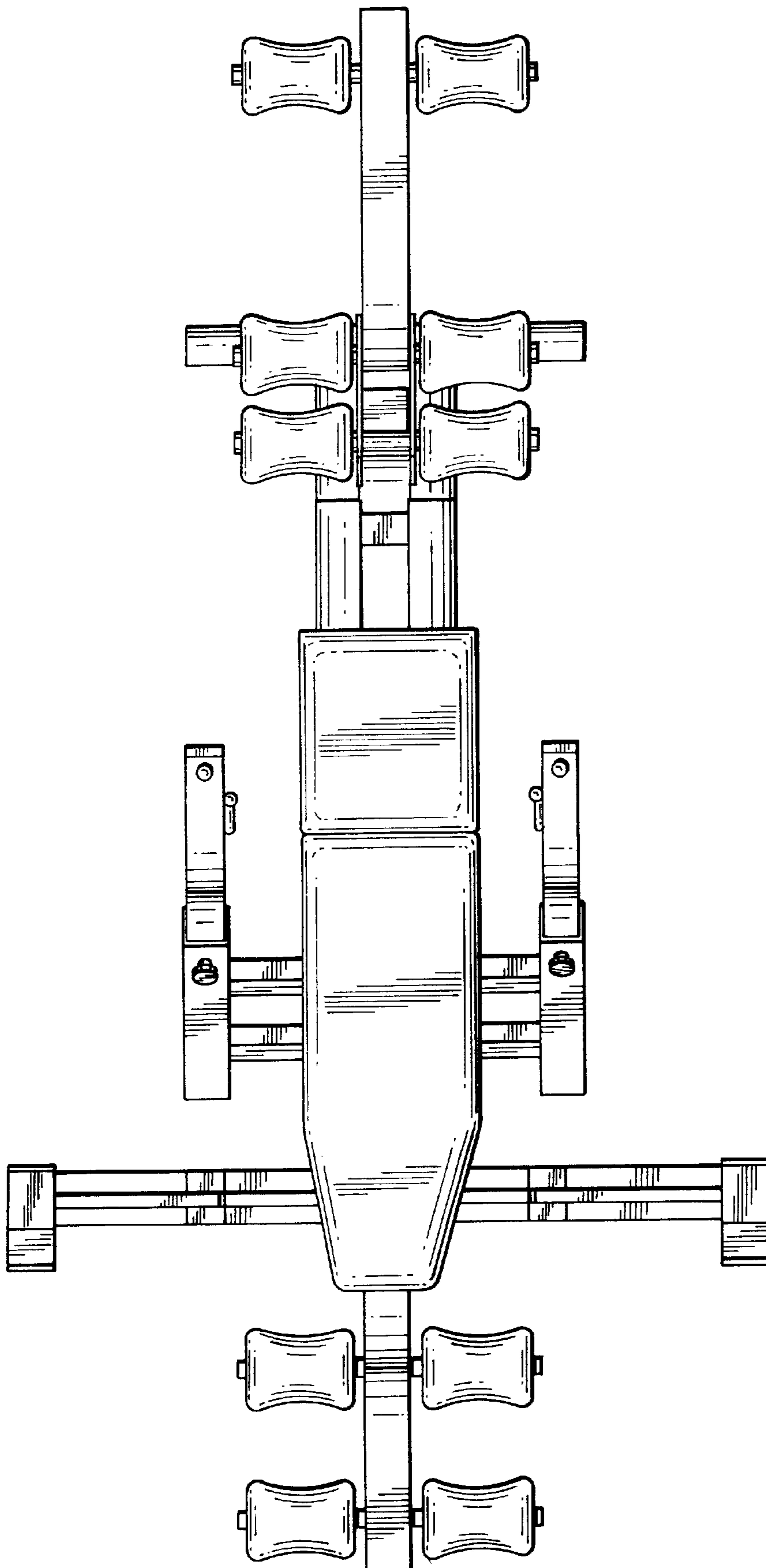


FIG. 3

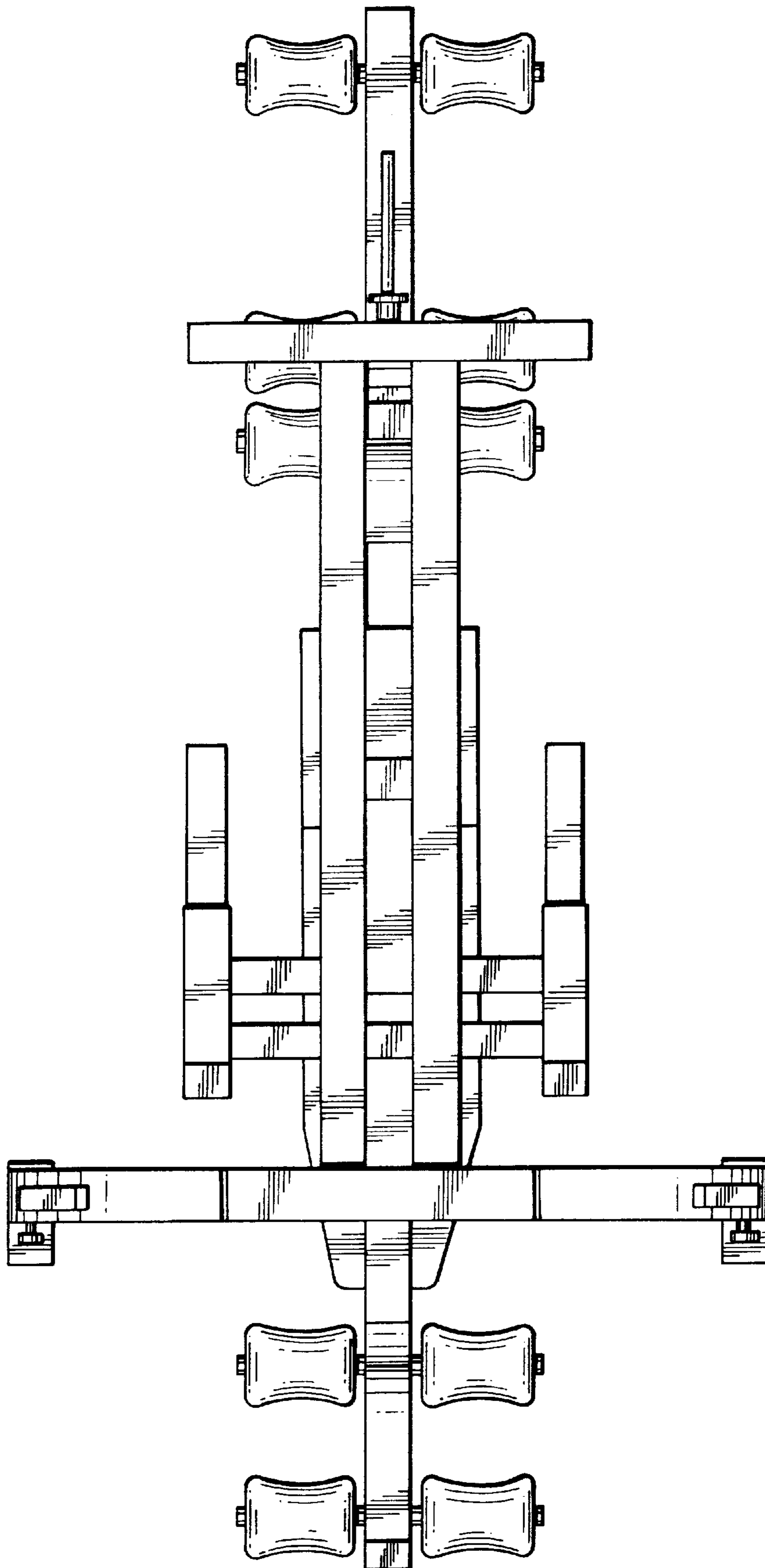


FIG. 4

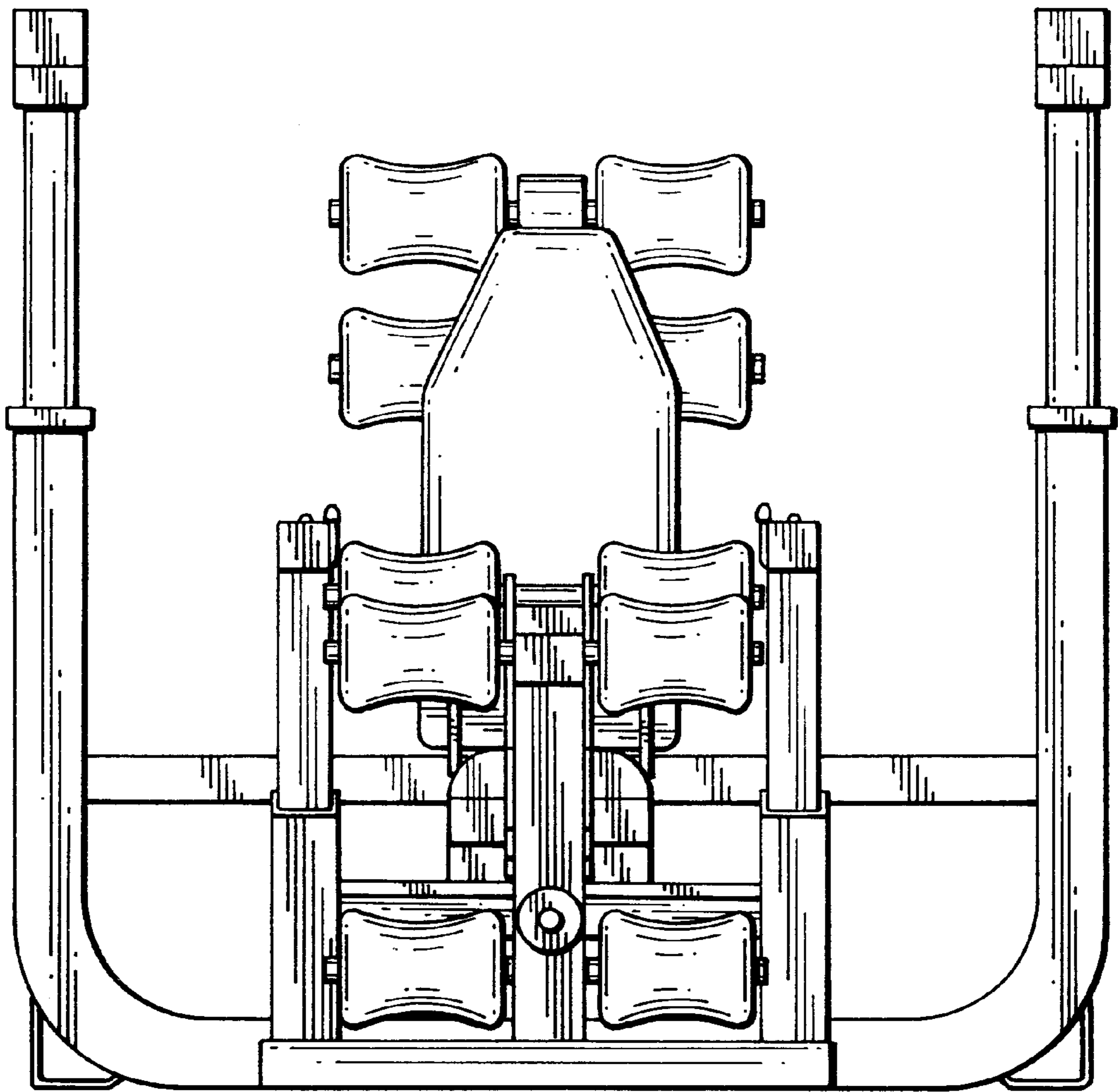


FIG. 5

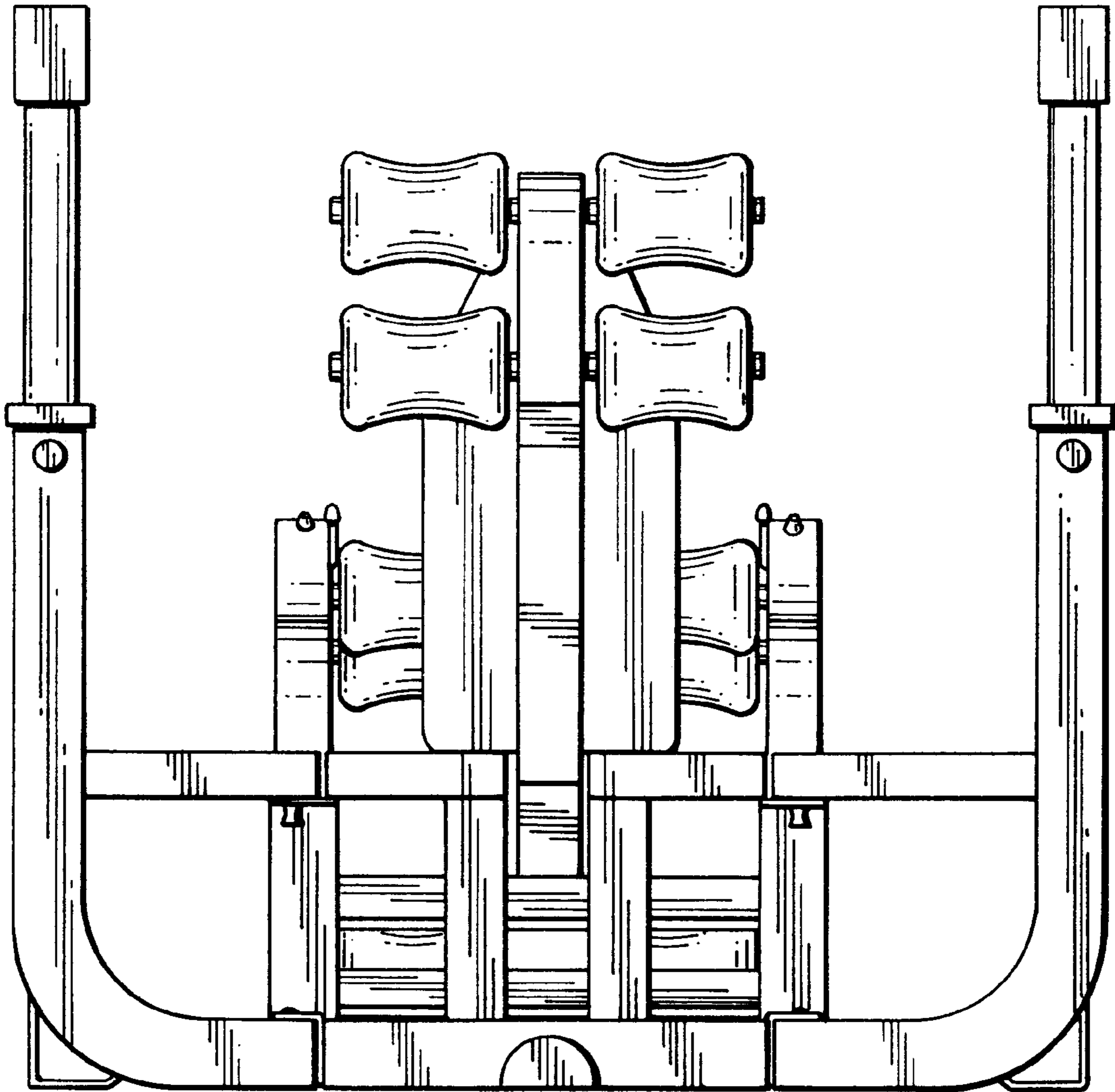


FIG. 6