



US00D462729S

(12) **United States Design Patent**  
**Lawson**

(10) **Patent No.:** **US D462,729 S**

(45) **Date of Patent:** **\*\* Sep. 10, 2002**

(54) **WEIGHT PLATE**

(75) Inventor: **Tom Lawson**, Westminster, CA (US)

(73) Assignee: **Bollinger Industries, L.P.**, Grand Prairie, TX (US)

(\*\*) Term: **14 Years**

(21) Appl. No.: **29/146,425**

(22) Filed: **Aug. 9, 2001**

(51) **LOC (7) Cl.** ..... **21-02**

(52) **U.S. Cl.** ..... **D21/680; D21/694**

(58) **Field of Search** ..... D21/662, 680,  
D21/681, 682, 683, 675, 694; 482/93, 98,  
101

(56) **References Cited**

**U.S. PATENT DOCUMENTS**

D260,796 S	*	9/1981	Uyeda	.....	D21/694
5,135,451 A	*	8/1992	Chen	.....	482/138
5,342,271 A	*	8/1994	Long	.....	482/98
D431,059 S	*	9/2000	Webber et al.	.....	D21/680
6,126,579 A	*	10/2000	Lin	.....	482/98
6,193,635 B1	*	2/2001	Webber et al.	.....	482/138

**OTHER PUBLICATIONS**

Power World Enterprize Co., Ltd. brochure on One of The Weight Stack Manufacturer In Taiwan, 1 page, Taiwan.

MTI Enterprises brochure on Weight Stacks, 1 page.

Brochure on Components & Features of Weight Stacks, 3 pages.

\* cited by examiner

*Primary Examiner*—Philip S. Hyder

(74) *Attorney, Agent, or Firm*—Geoffrey A. Mantooth

(57) **CLAIM**

The ornamental design for a weight plate, as shown and described.

**DESCRIPTION**

FIG. 1 is an isometric top view of the weight plate, showing my new design;

FIG. 2 is an isometric bottom view thereof;

FIG. 3 is a top view thereof;

FIG. 4 is a bottom view thereof;

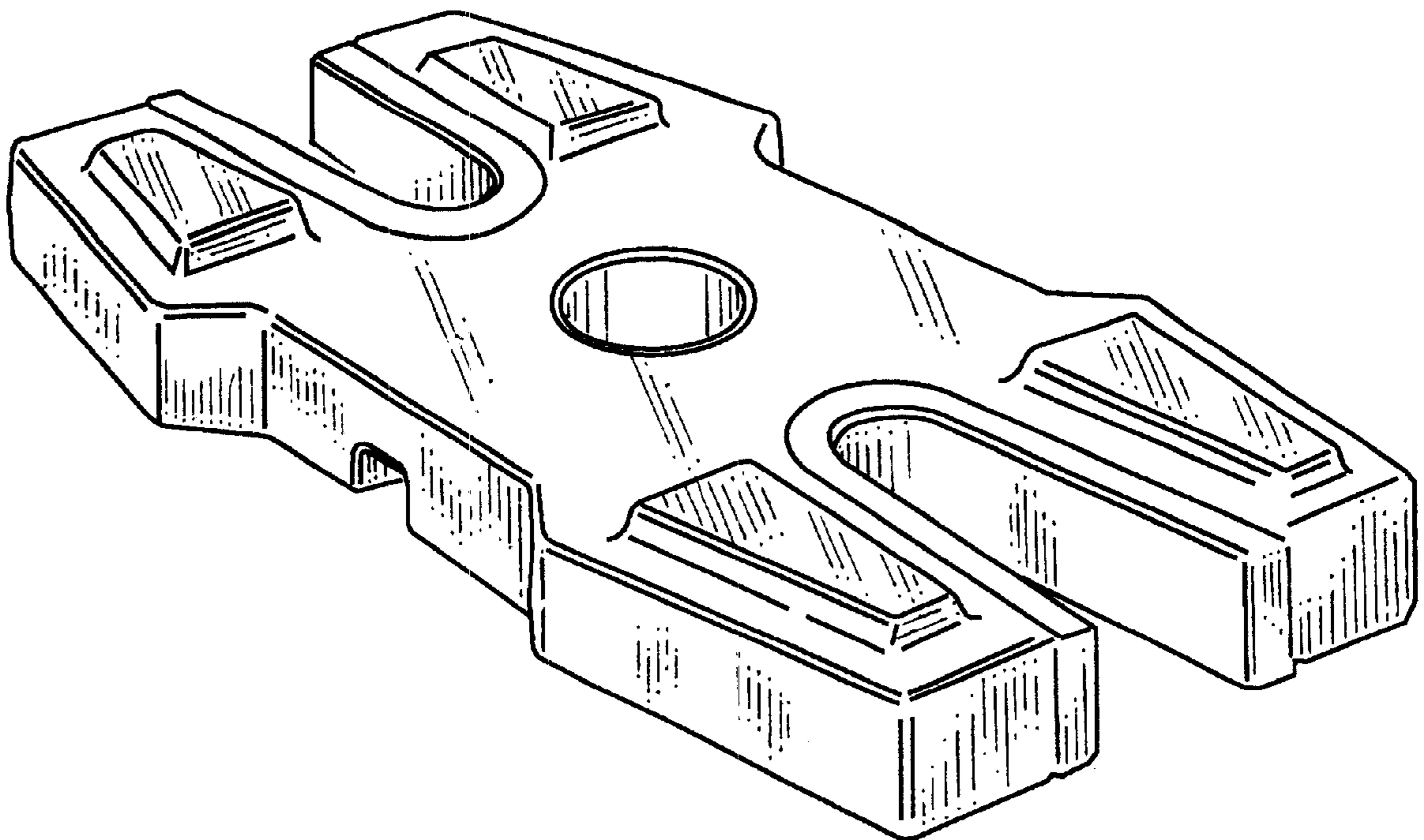
FIG. 5 is a front side view thereof;

FIG. 6 is a rear side view thereof;

FIG. 7 is a right side view thereof; and,

FIG. 8 is a left side view thereof.

**1 Claim, 3 Drawing Sheets**



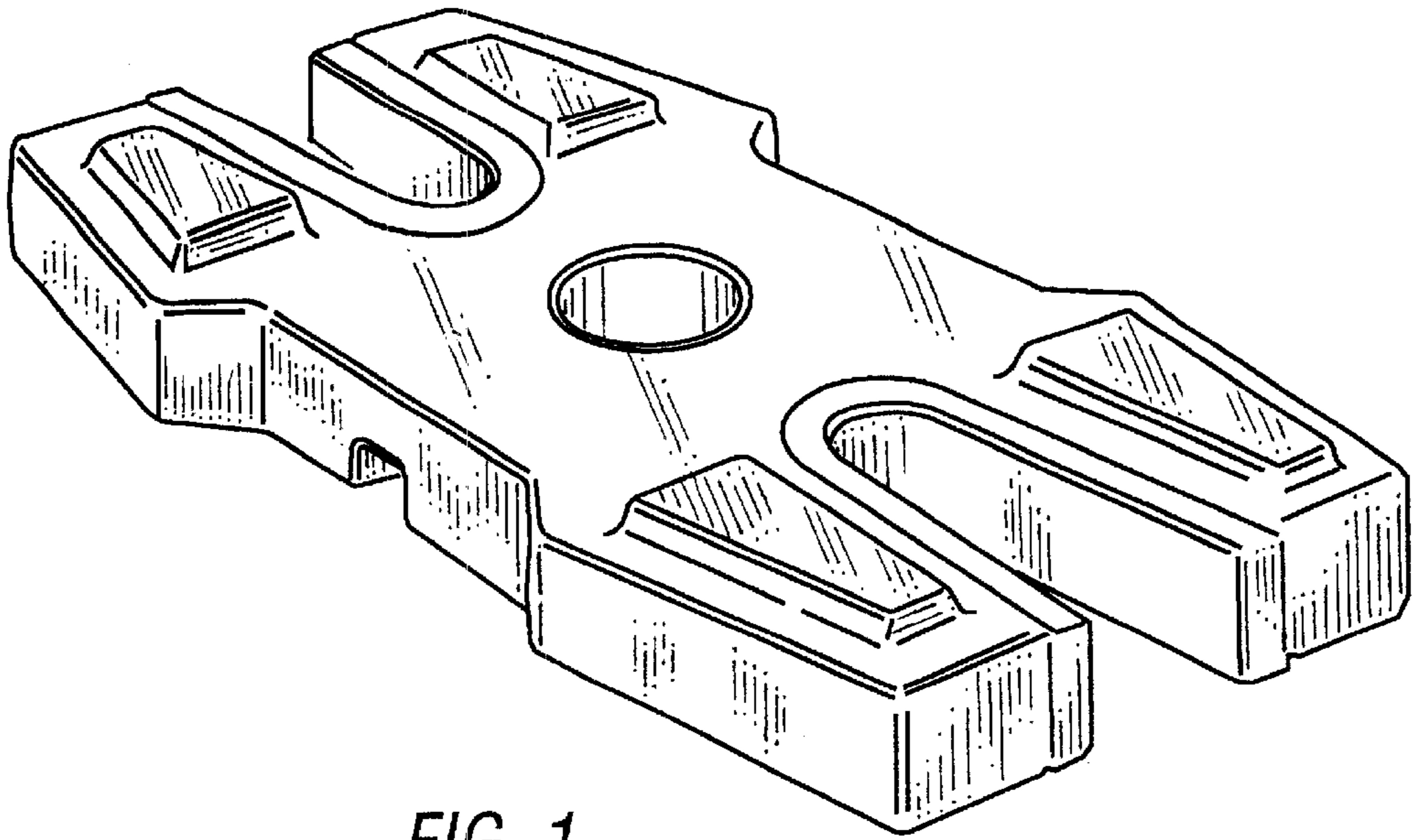


FIG. 1

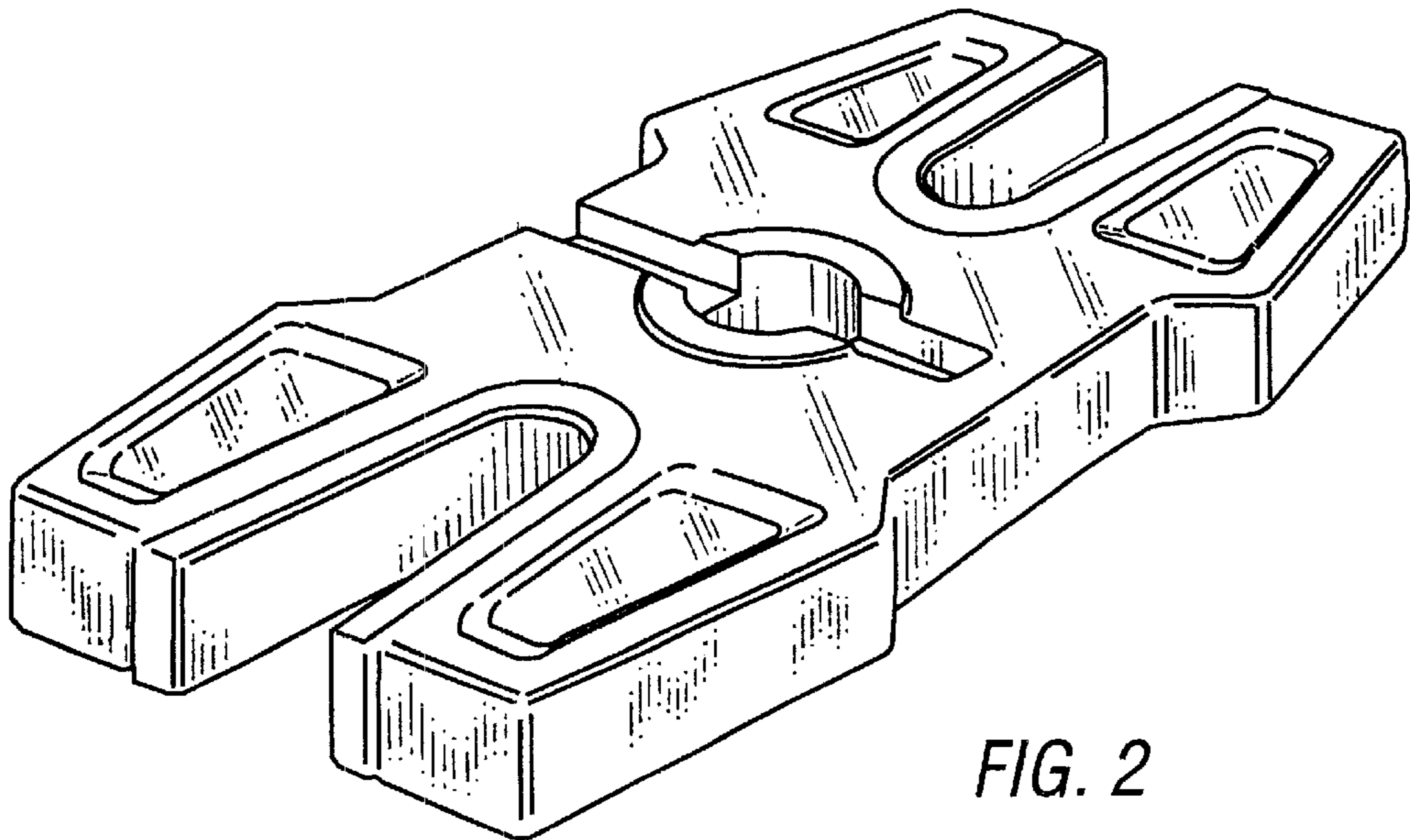


FIG. 2

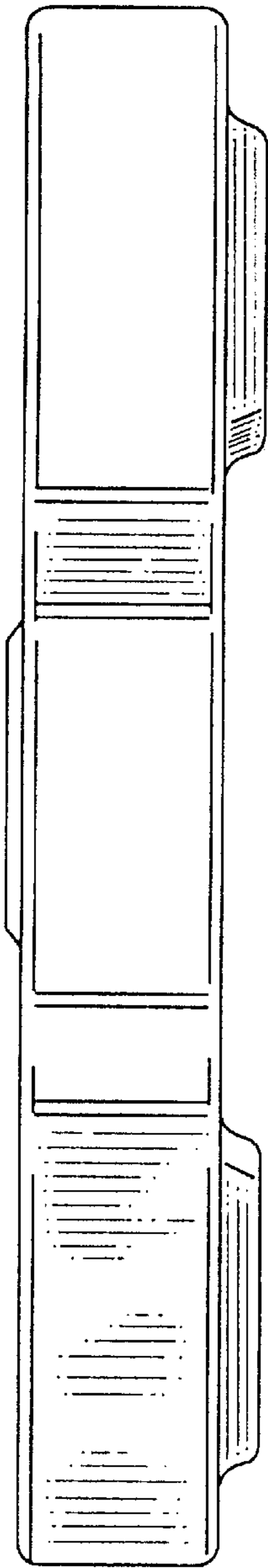


FIG. 8

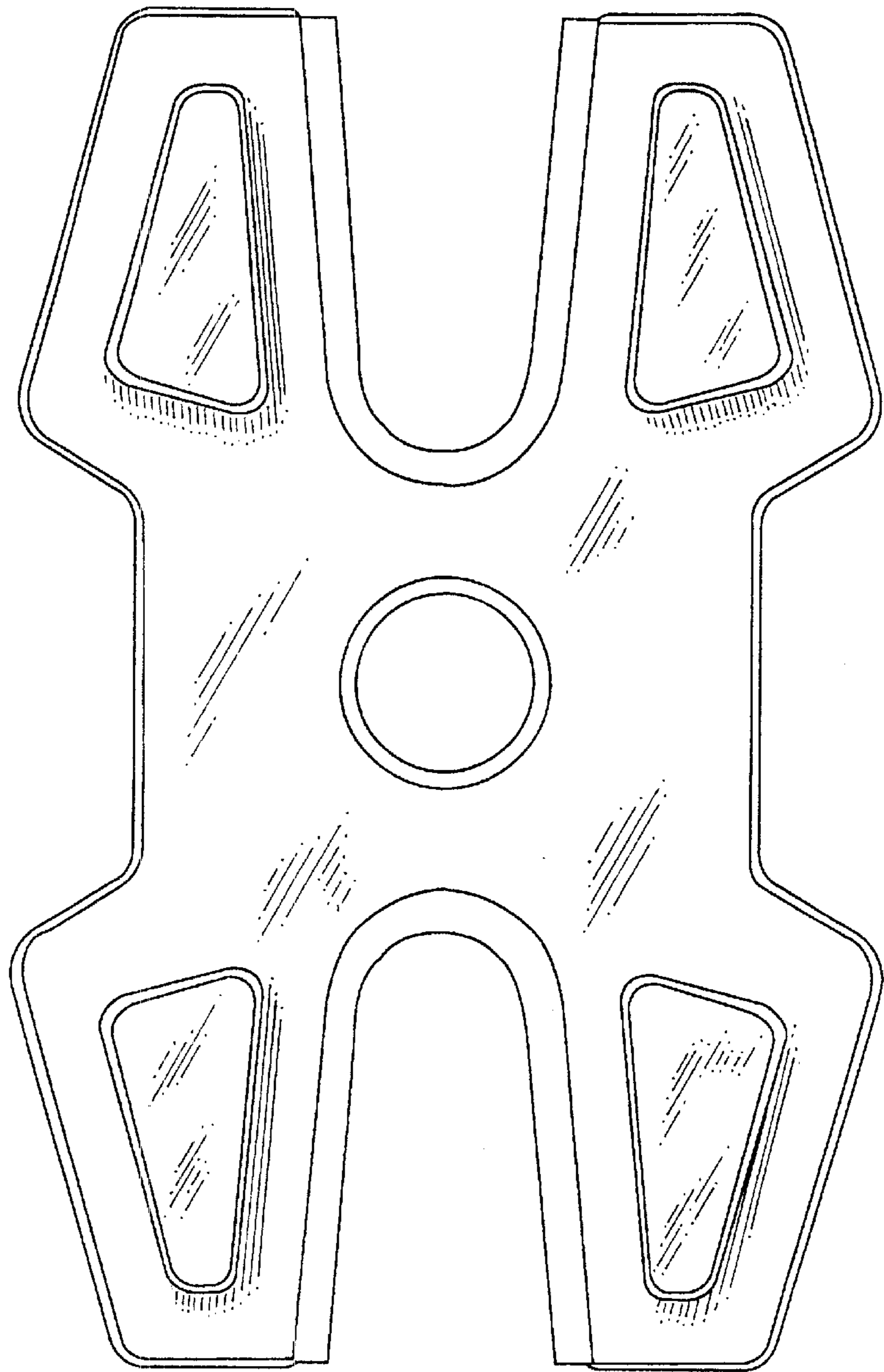


FIG. 3

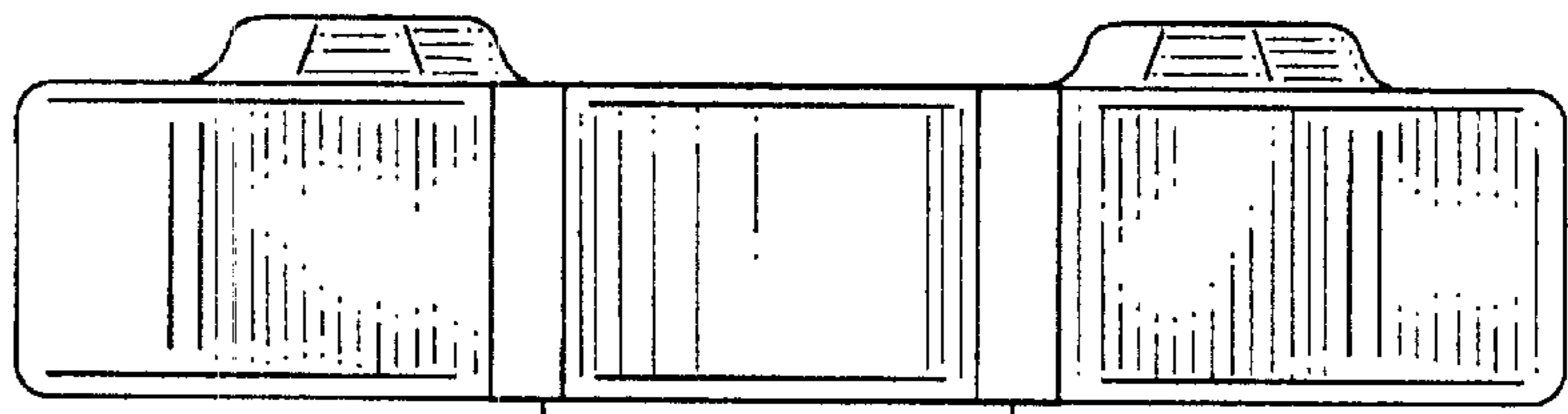


FIG. 5

FIG. 6

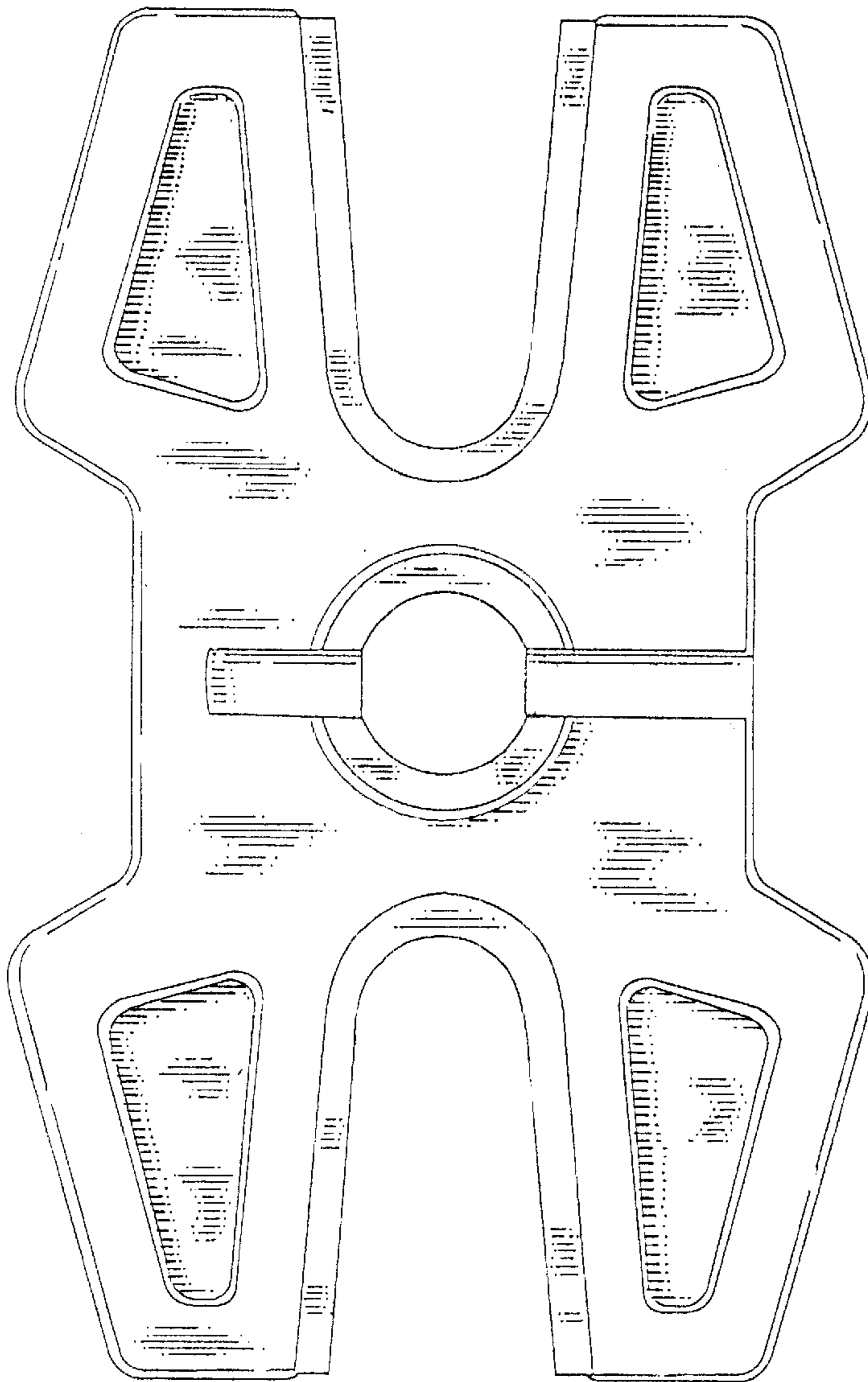
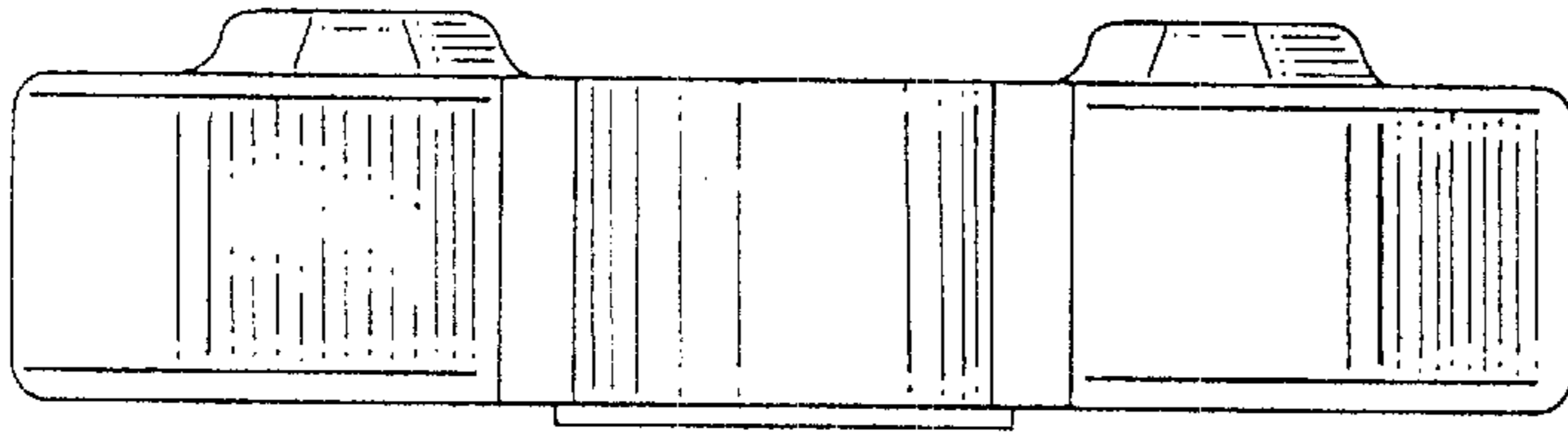


FIG. 4

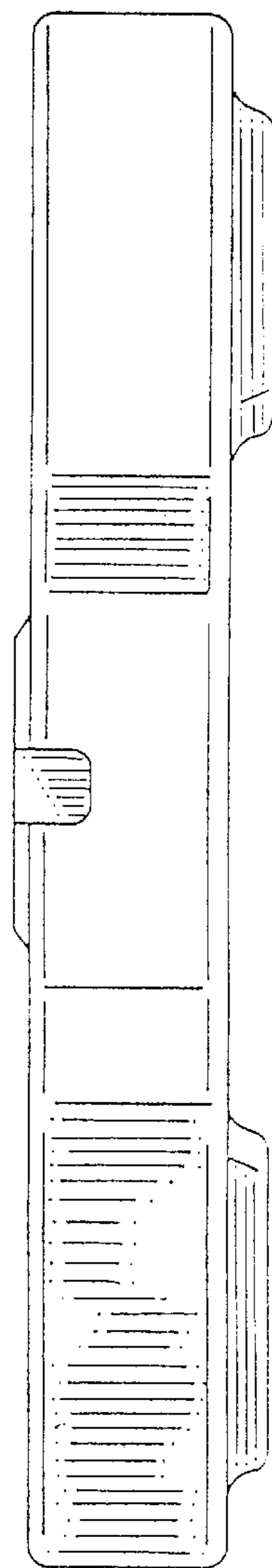


FIG. 7