



US00D462728S

(12) **United States Design Patent**
Wang

(10) **Patent No.:** **US D462,728 S**

(45) **Date of Patent:** **** Sep. 10, 2002**

(54) **KITE**

(75) **Inventor:** **Jung-Yuan (Jay) Wang**, Mississauga (CA)

(73) **Assignee:** **Itemax International, Inc.**, Mississauga (CA)

(**) **Term:** **14 Years**

(21) **Appl. No.:** **29/132,798**

(22) **Filed:** **Nov. 16, 2000**

(51) **LOC (7) Cl.** **21-01**

(52) **U.S. Cl.** **D21/445**

(58) **Field of Search** D21/443, 445, D21/446; 244/153 R, 154, 155, 153 A

(56) **References Cited**

U.S. PATENT DOCUMENTS

| | | | |
|-------------|-----------|--------|---------|
| 1,546,099 A | 7/1925 | Myers | |
| 2,124,992 A | 7/1938 | Wood | 244/154 |
| D168,383 S | * 12/1952 | Smith | D21/445 |
| D223,716 S | * 5/1972 | Choong | D21/445 |
| D407,126 S | * 3/1999 | Wang | D21/445 |
| D428,071 S | * 7/2000 | Wang | D21/453 |
| D428,072 S | * 7/2000 | Wang | D21/453 |
| D428,451 S | * 7/2000 | Wang | D21/453 |
| D432,187 S | * 10/2000 | Wang | D21/445 |
| D443,902 S | * 6/2001 | Wang | D21/445 |

OTHER PUBLICATIONS

Top Of The Line, Inc., Max-force Nylon Quality Fabric, 1999.

* cited by examiner

Primary Examiner—Dominic Simone

(74) *Attorney, Agent, or Firm*—Bereskin & Parr

(57) **CLAIM**

The ornamental design for a kite, as shown and described.

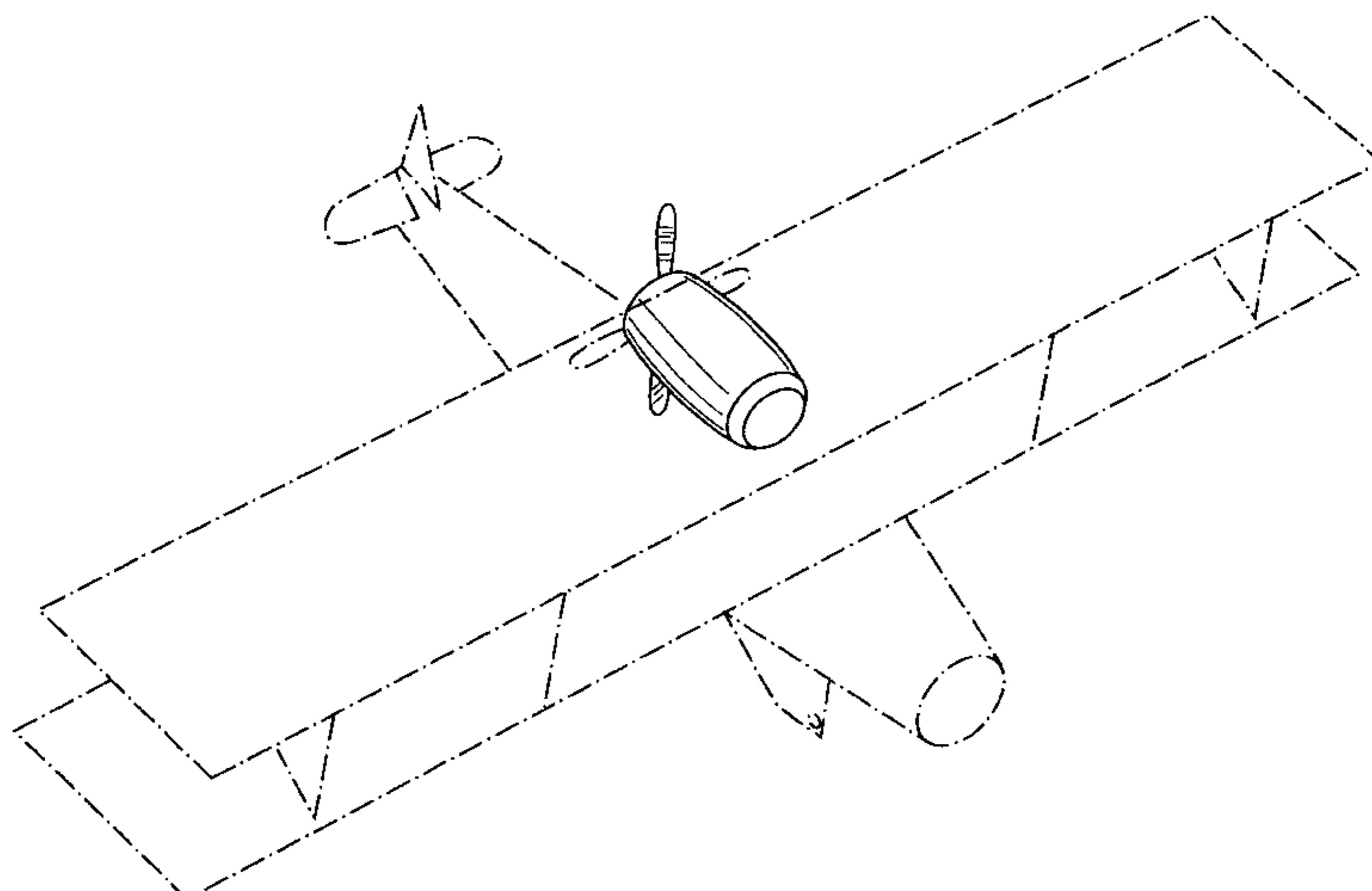
DESCRIPTION

FIG. 1 is an isometric view from the front and above of the new design;

FIG. 2 is a right side elevation view thereof;
 FIG. 3 is a left side elevation view thereof;
 FIG. 4 is a front elevation view thereof;
 FIG. 5 is a rear elevation view thereof.
 FIG. 6 is a top plan view thereof;
 FIG. 7 is an isometric view from the front and to one side of a second embodiment of the design;
 FIG. 8 is a right side elevation view thereof;
 FIG. 9 is a left side elevation view thereof;
 FIG. 10 is a front elevation view thereof;
 FIG. 11 is a top plan view thereof;
 FIG. 12 is an isometric view from the front and to one side of a third embodiment of the design;
 FIG. 13 is a right side elevation view thereof;
 FIG. 14 is a left side elevation view thereof;
 FIG. 15 is a front elevation view thereof;
 FIG. 16 is a rear elevation view thereof;
 FIG. 17 is a top plan view thereof;
 FIG. 18 is an isometric view from the front and above of a fourth embodiment of the design;
 FIG. 19 is a right side elevation view thereof;
 FIG. 20 is a left side elevation view thereof;
 FIG. 21 is a front elevation view thereof;
 FIG. 22 is a rear elevation view thereof;
 FIG. 23 is a top plan view thereof;
 FIG. 24 is an isometric view from the front and to one side of a fifth embodiment of the design;
 FIG. 25 is a right side elevation view thereof;
 FIG. 26 is a left side elevation view thereof;
 FIG. 27 is a front elevation view thereof;
 FIG. 28 is a top plan view thereof;
 FIG. 29 is an isometric view from the front and to one side of a sixth embodiment of the design;
 FIG. 30 is a right side elevation view thereof;
 FIG. 31 is a left side elevation view thereof;
 FIG. 32 is a front elevation view thereof;
 FIG. 33 is a rear plan view thereof; and,
 FIG. 34 is a top plan view thereof.

The portion of the kite shown in broken lines is for environment and illustrative purposes only, and forms no part of the claimed design.

1 Claim, 32 Drawing Sheets



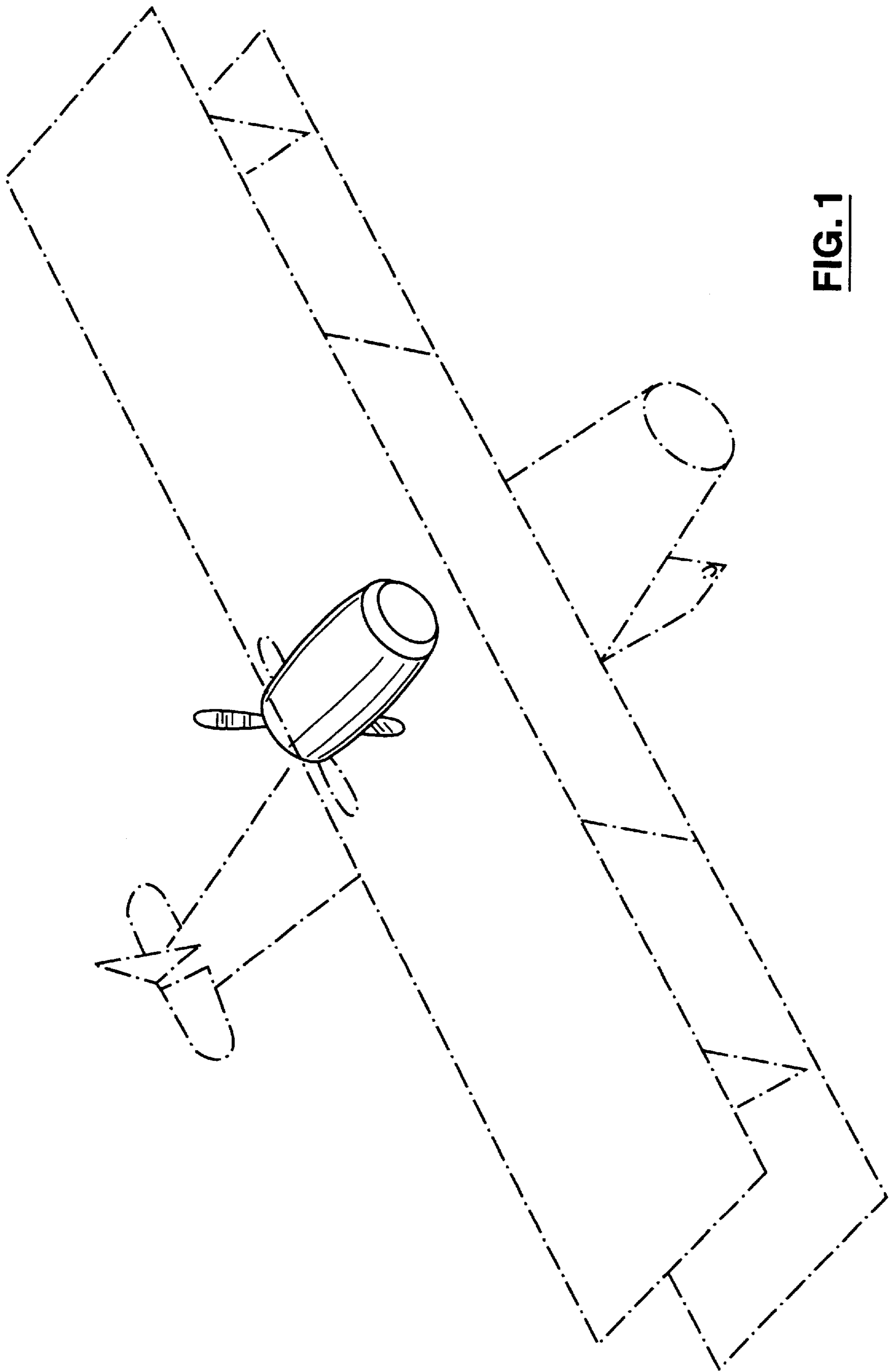
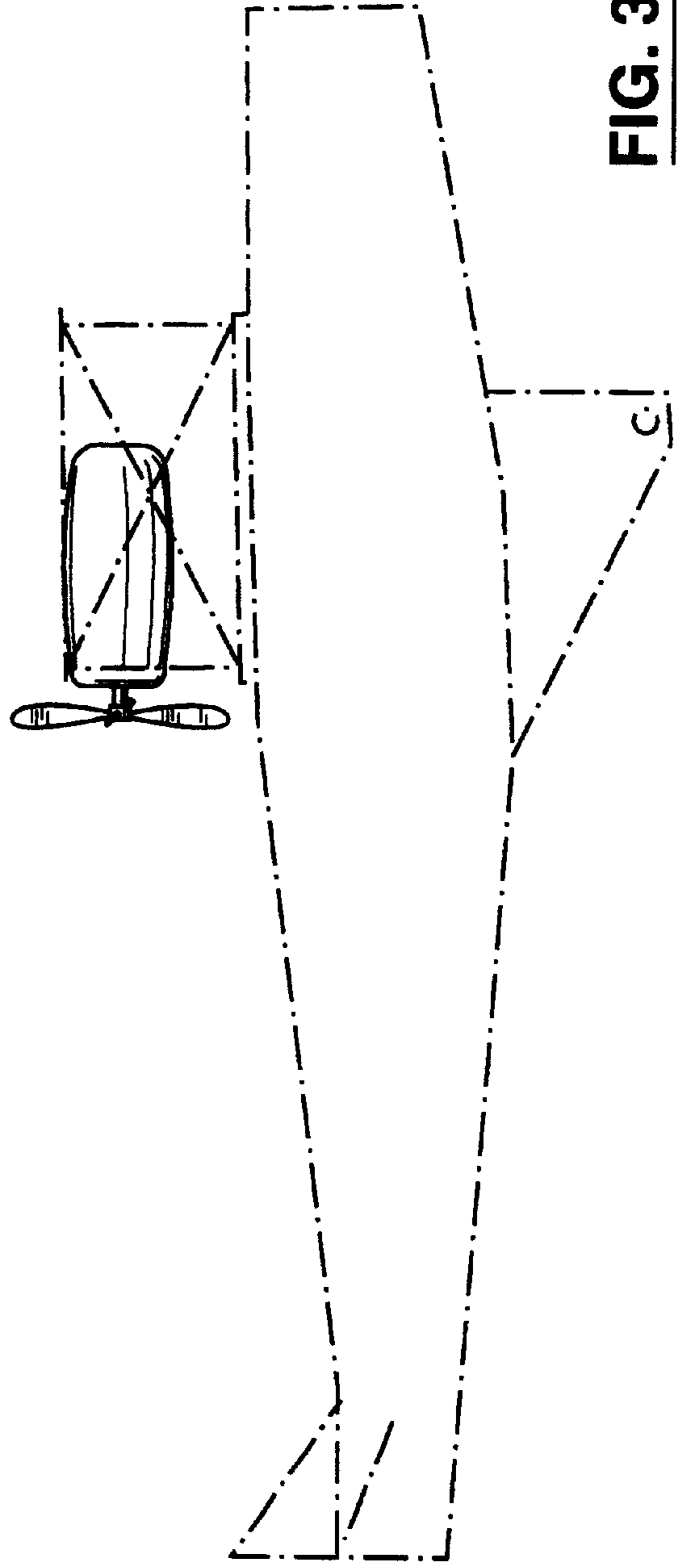
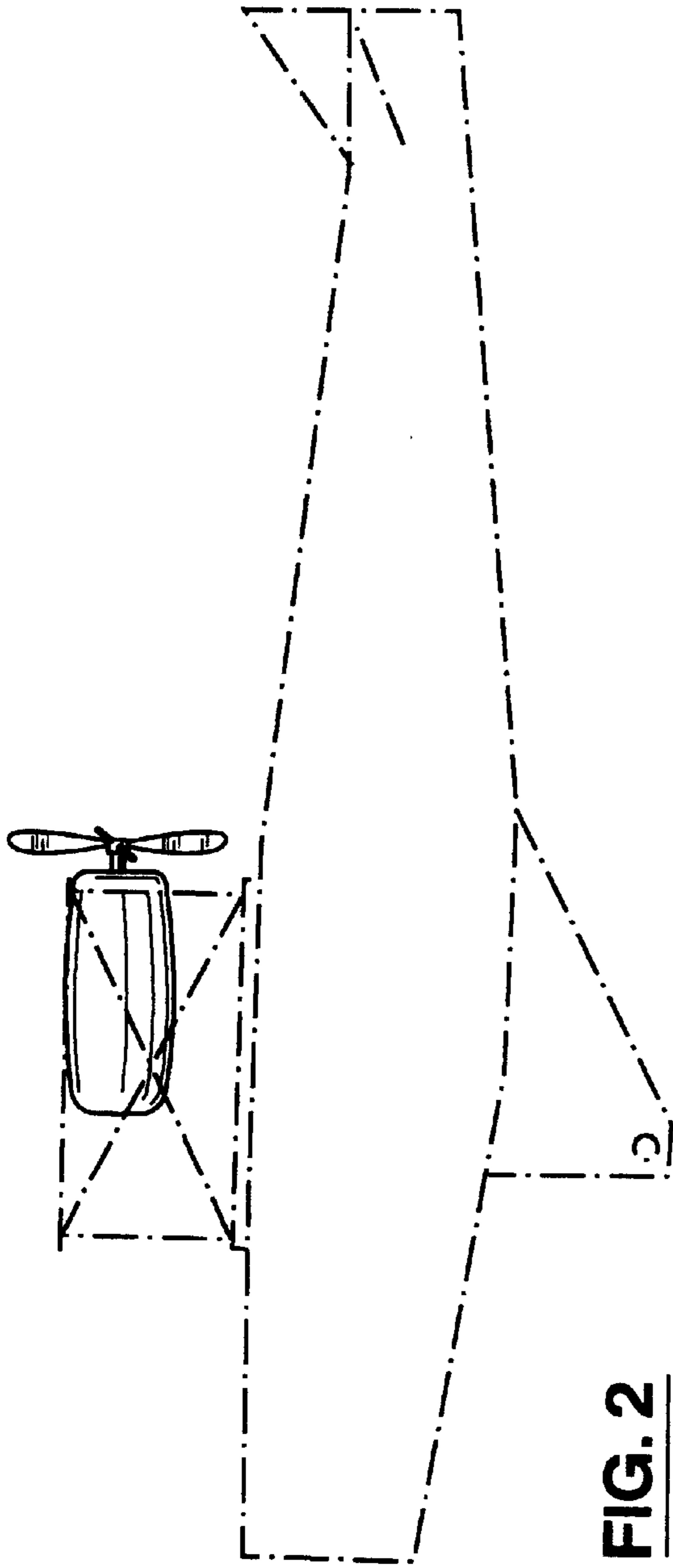


FIG. 1



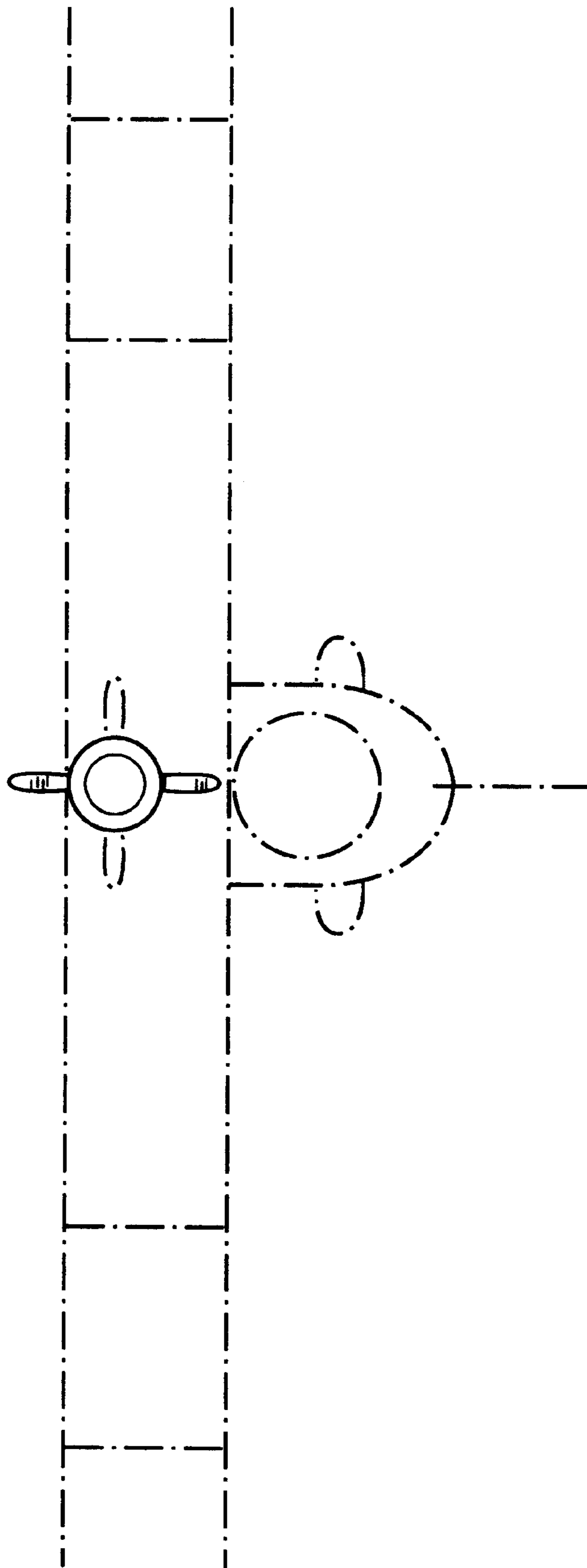


FIG. 4

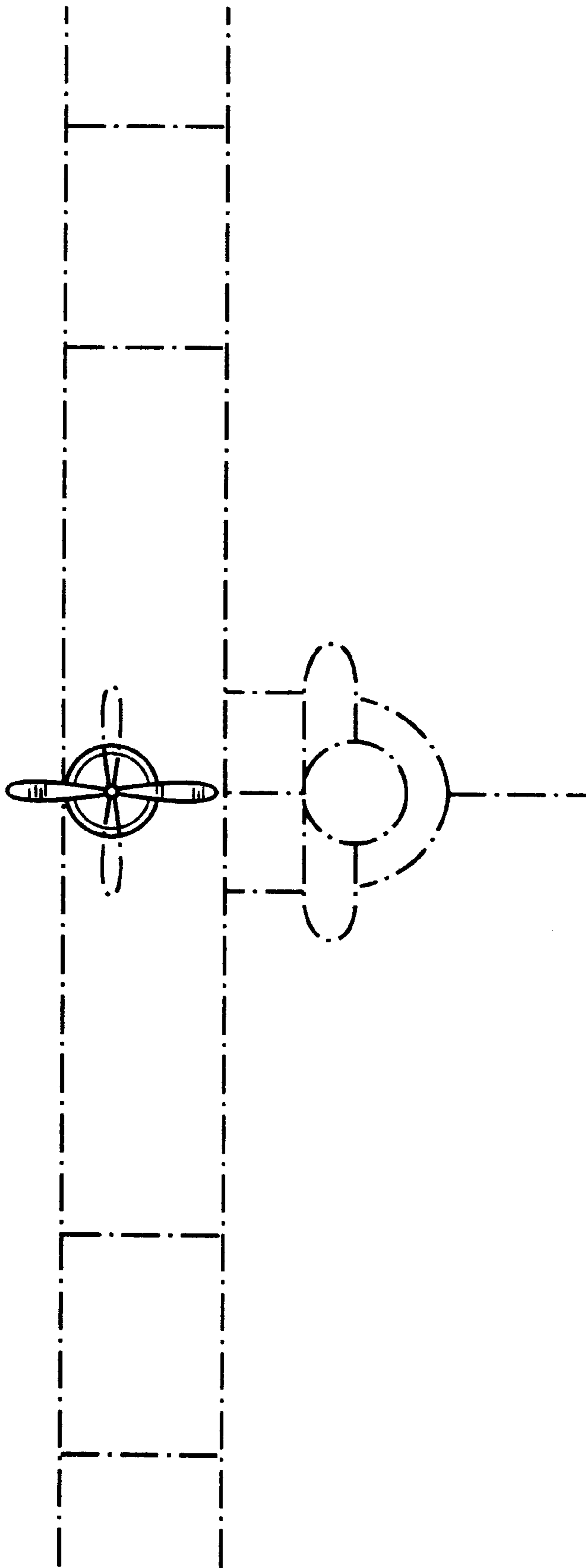


FIG. 5

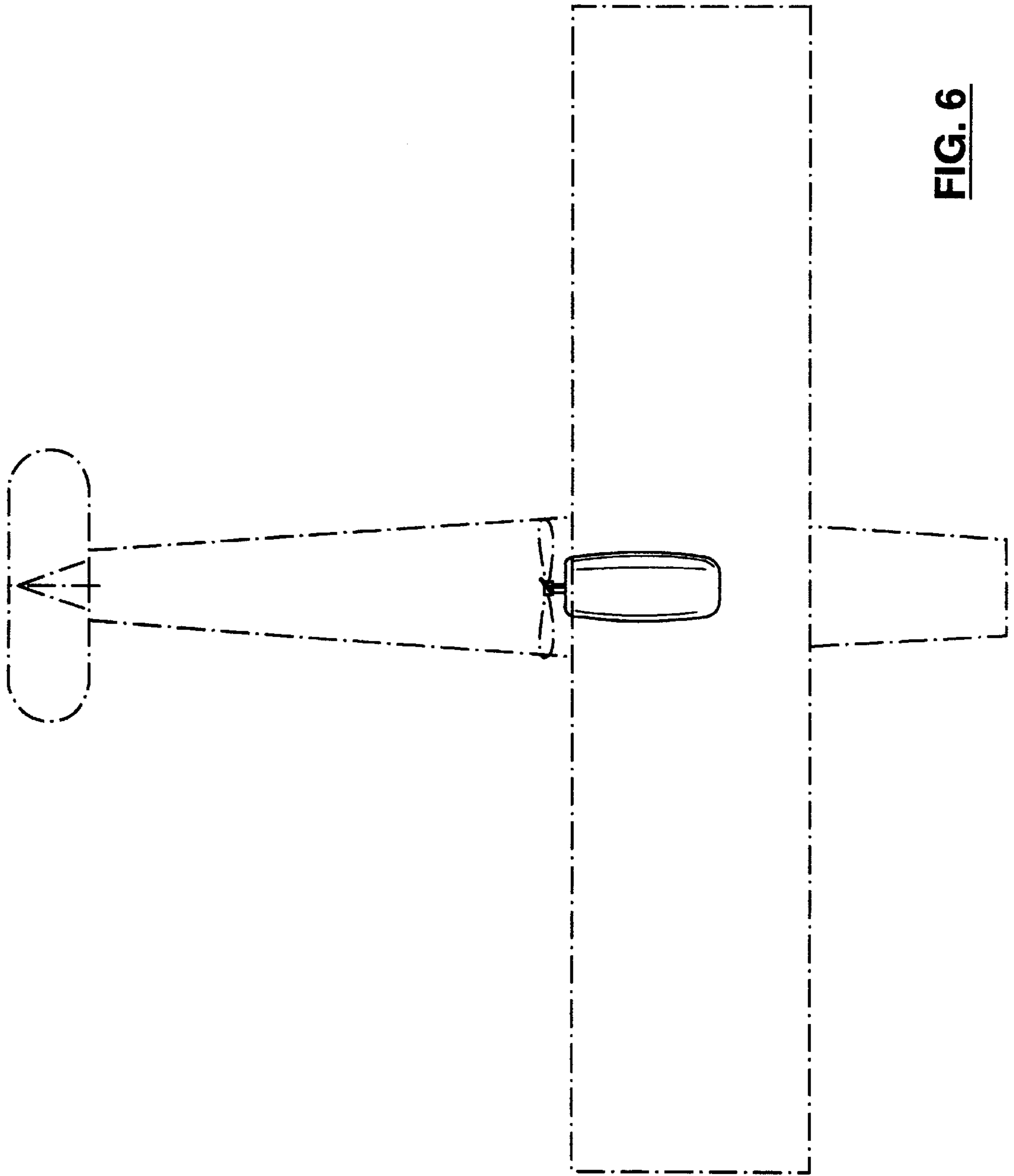


FIG. 6

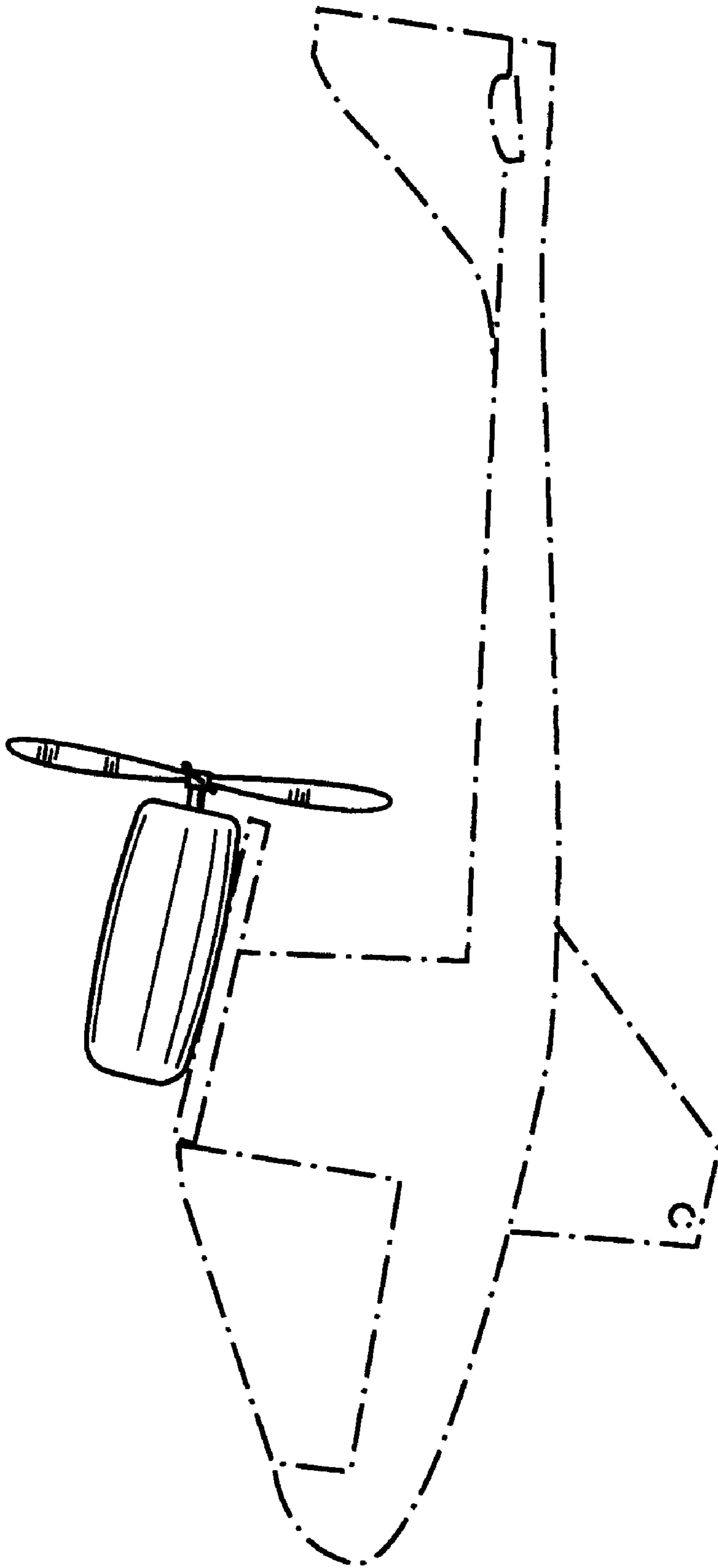


FIG. 8

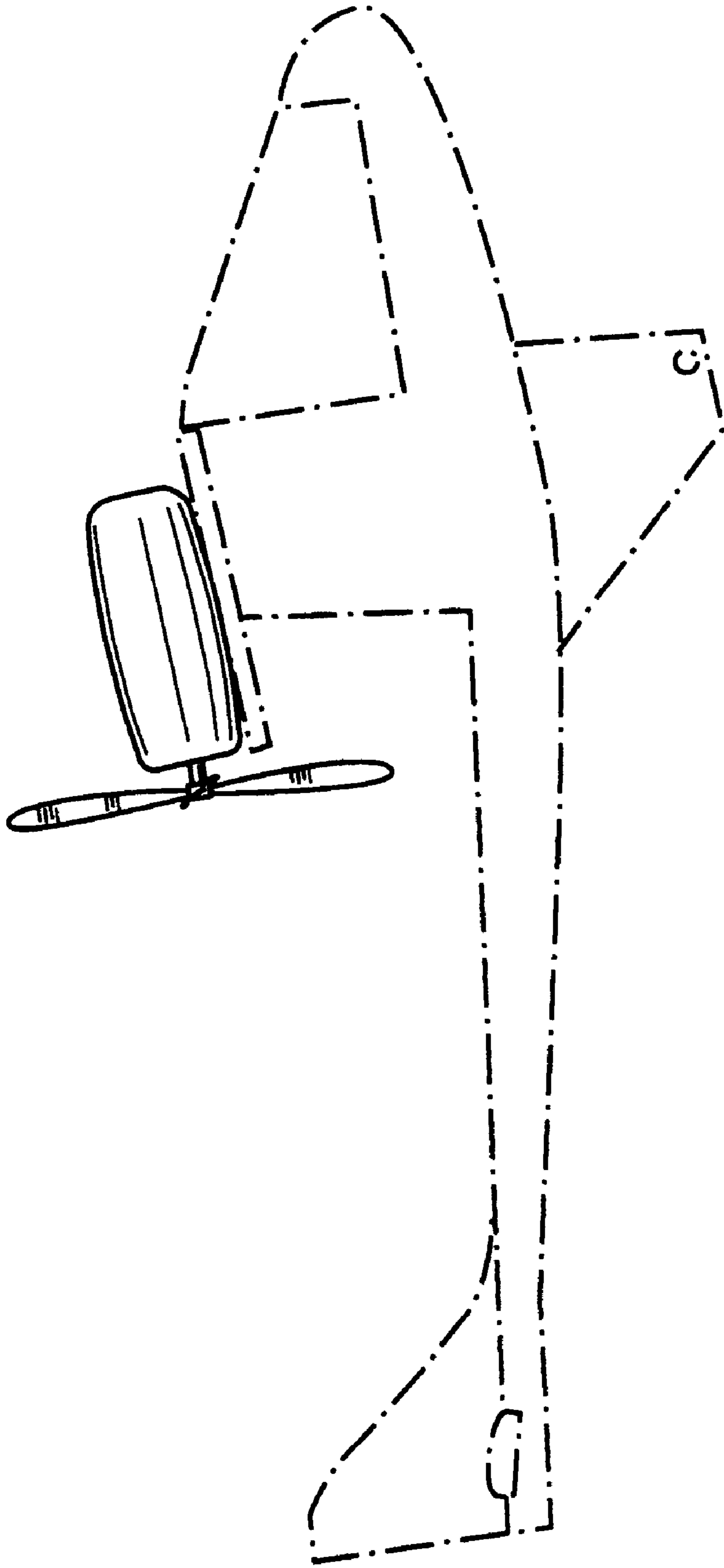


FIG. 9

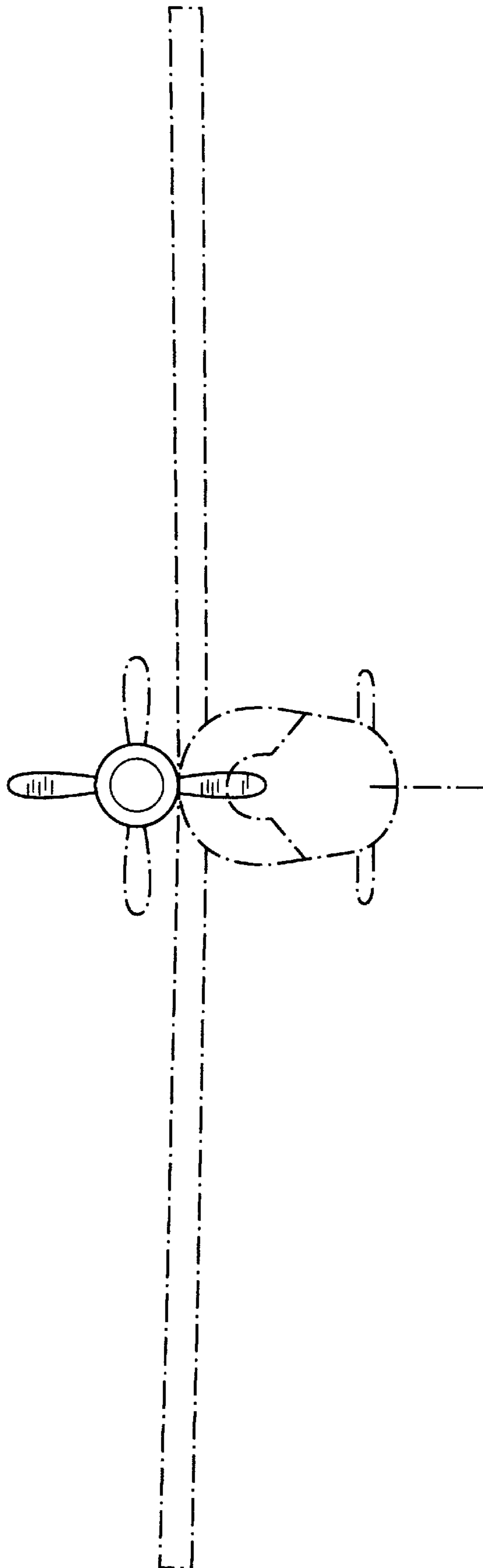


FIG. 10

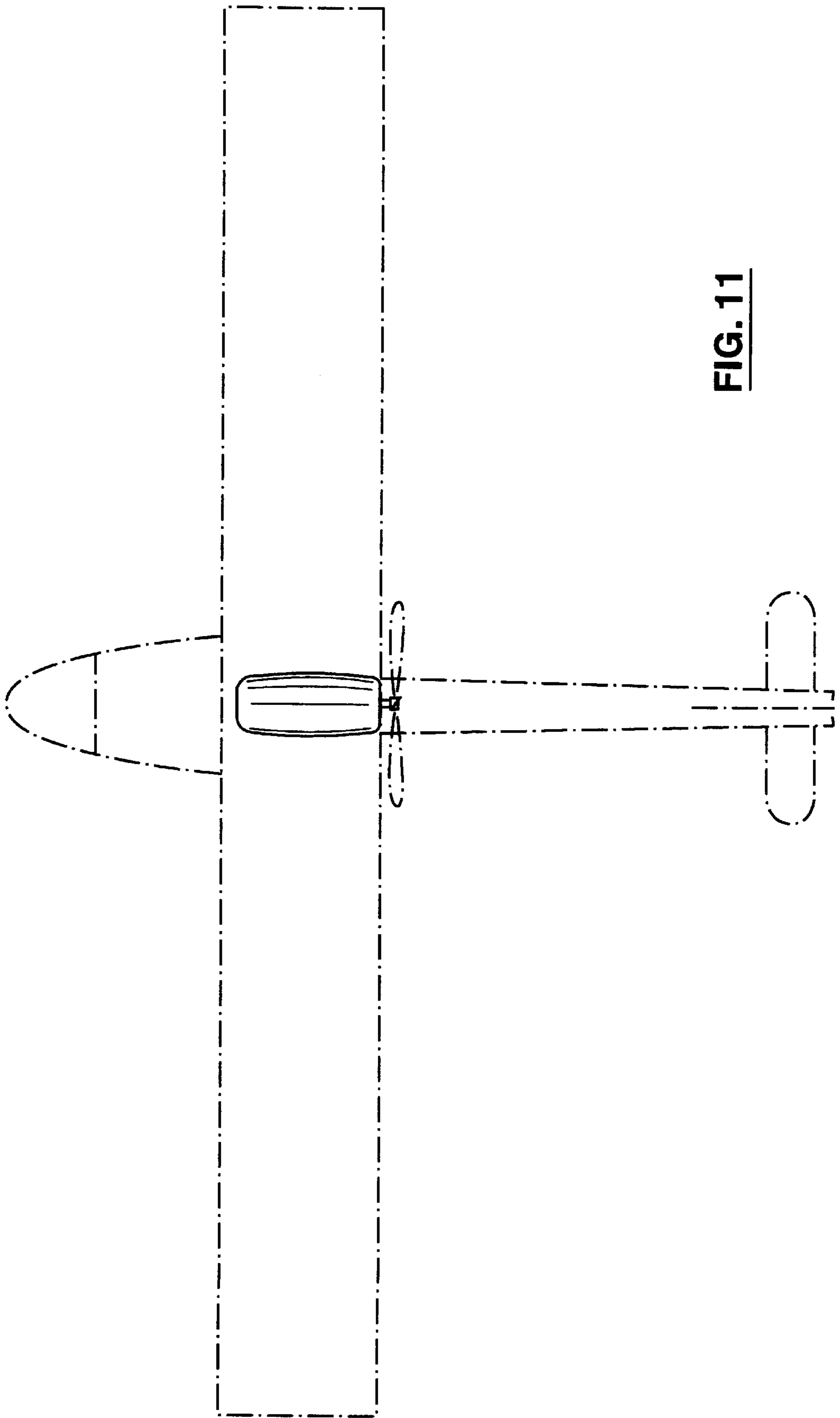


FIG. 11

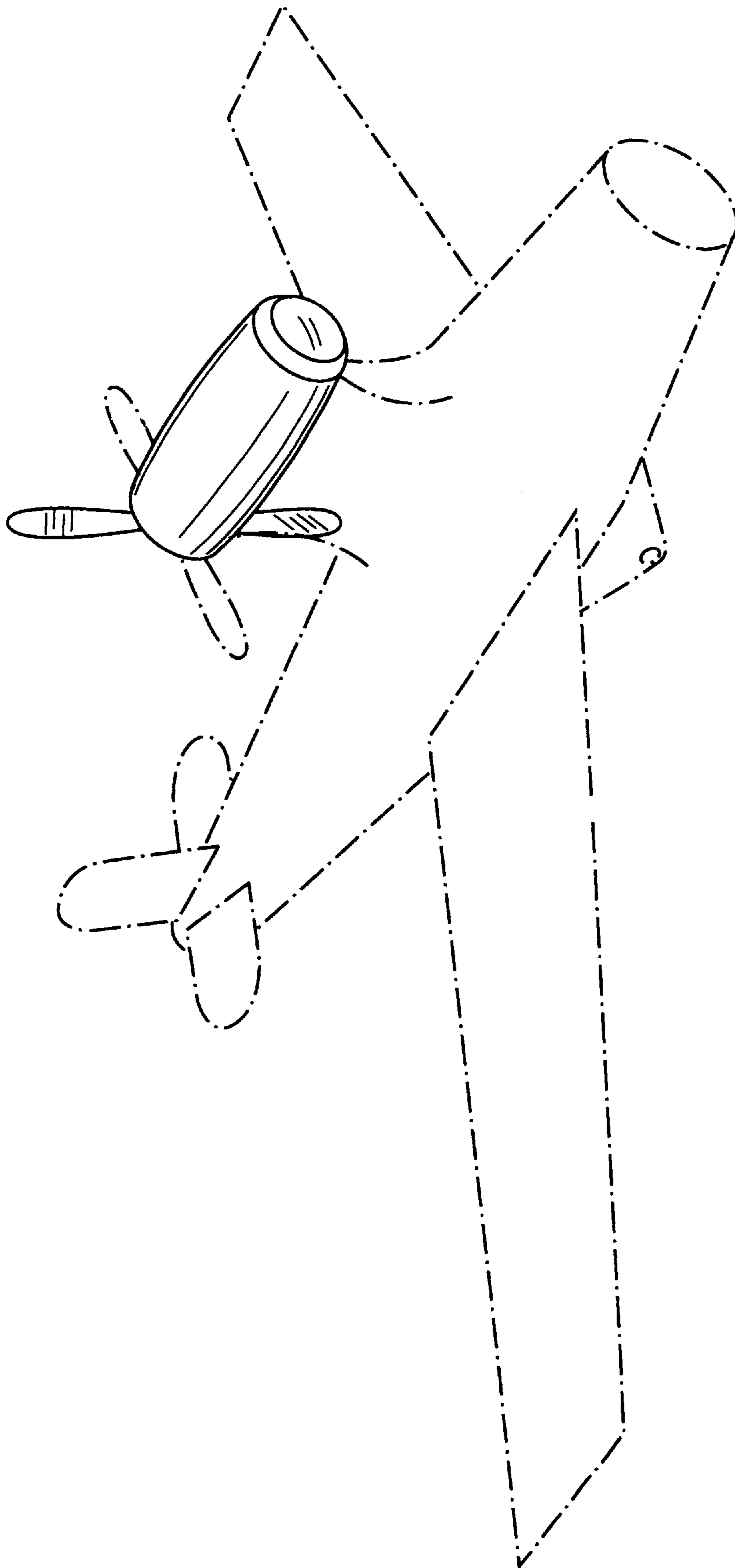


FIG. 12

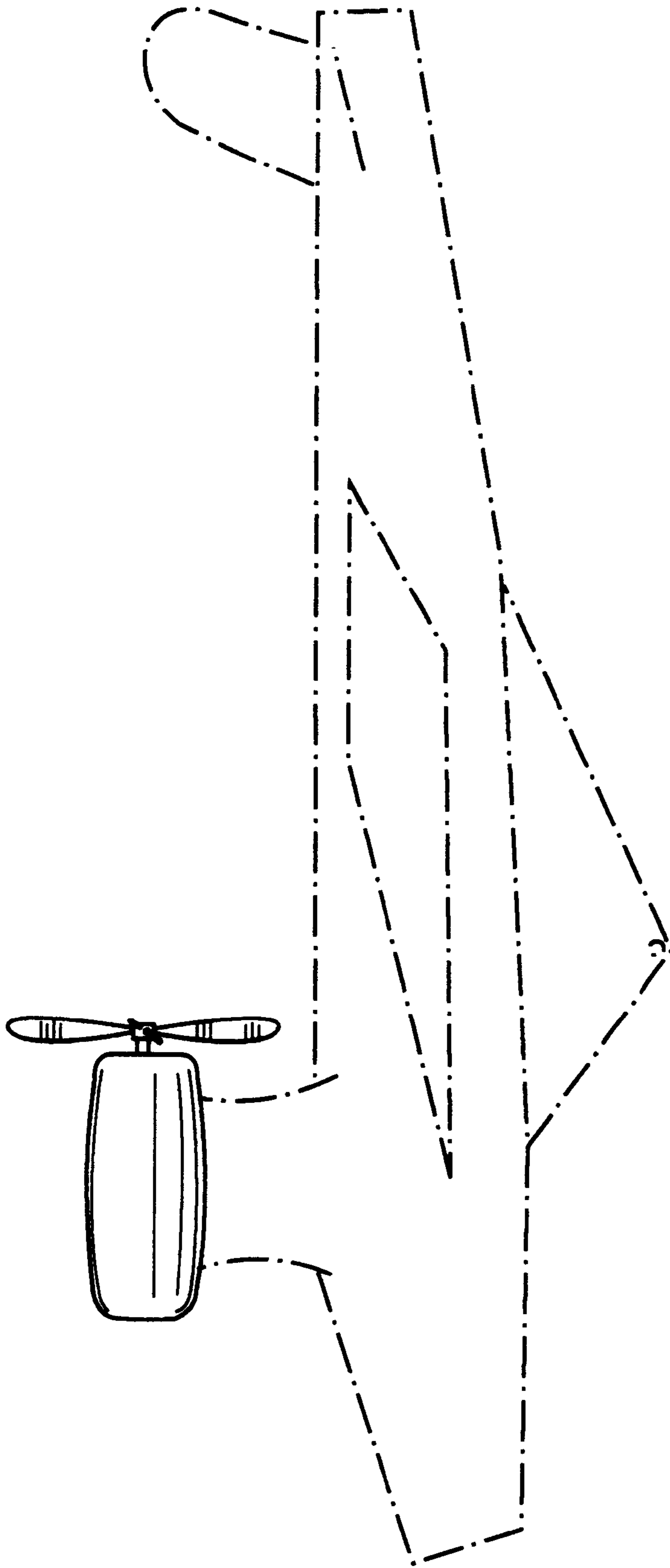


FIG. 13

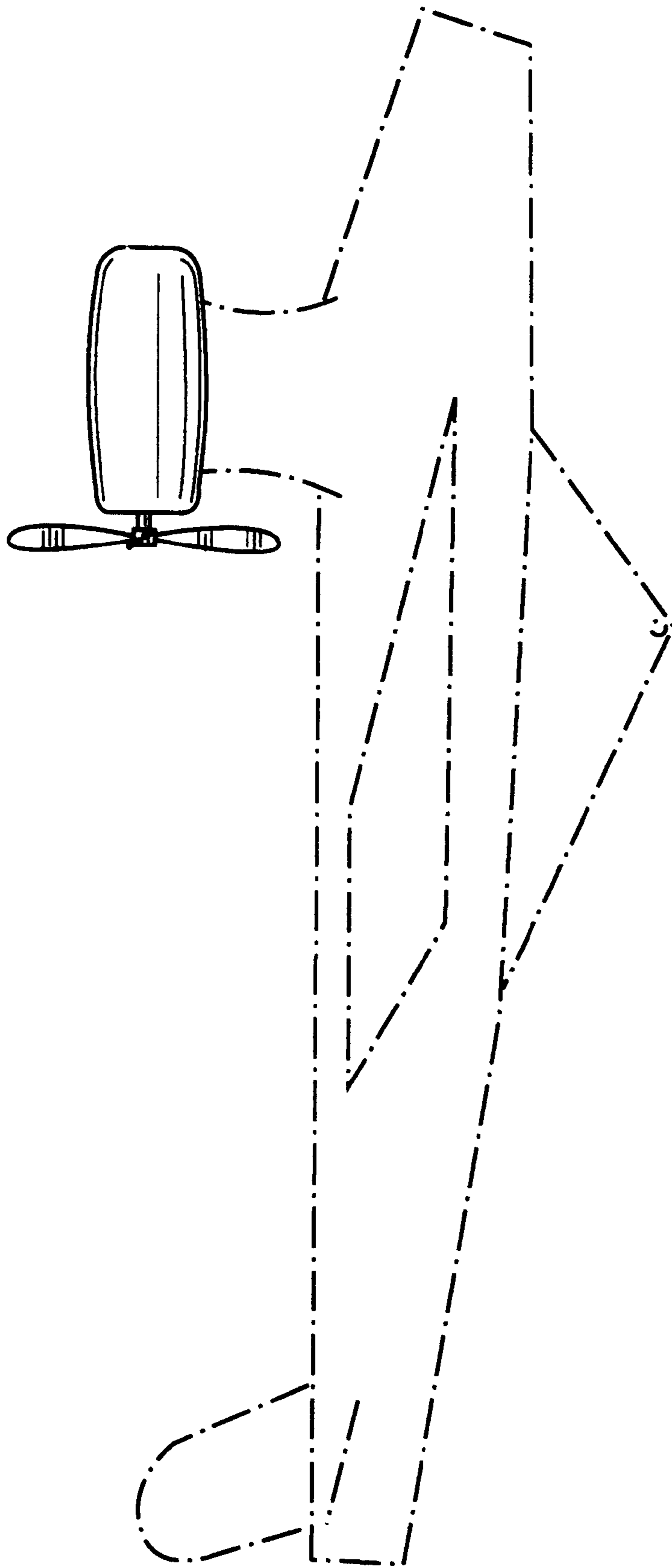


FIG. 14

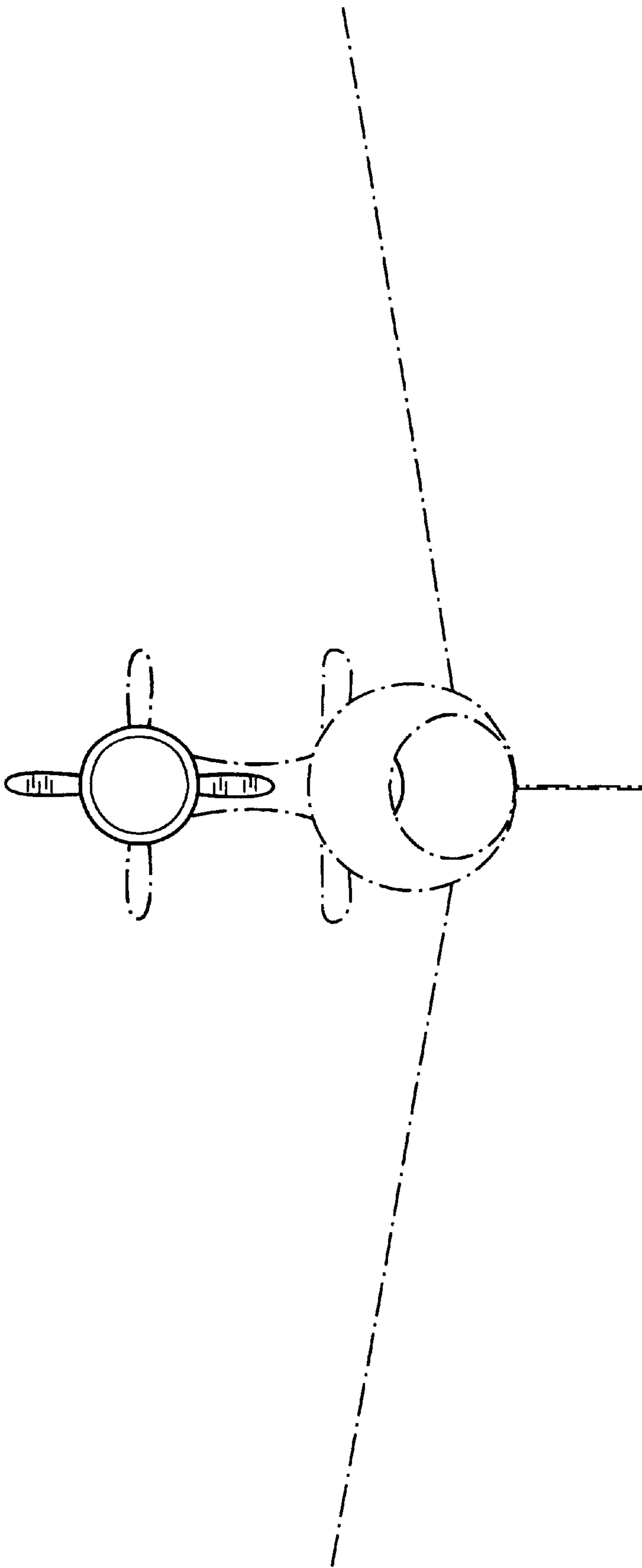


FIG. 15

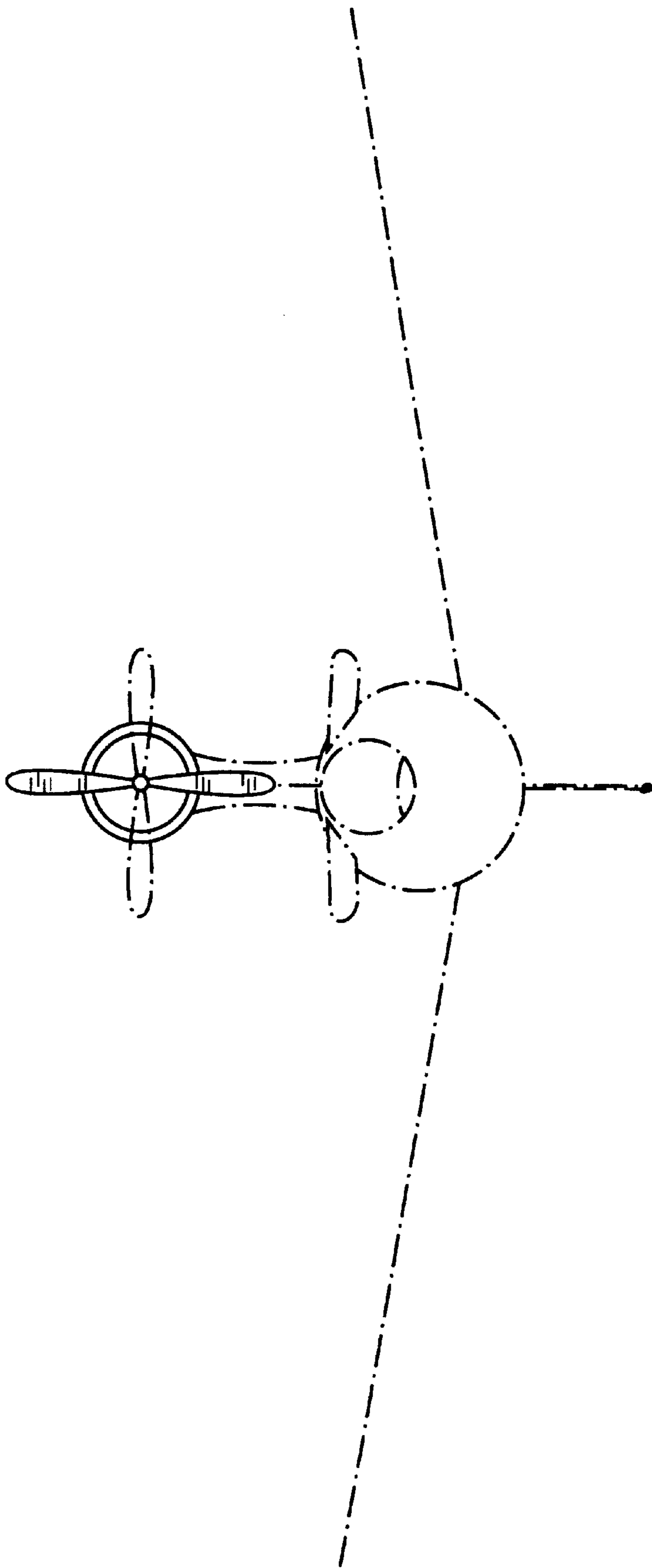


FIG. 16

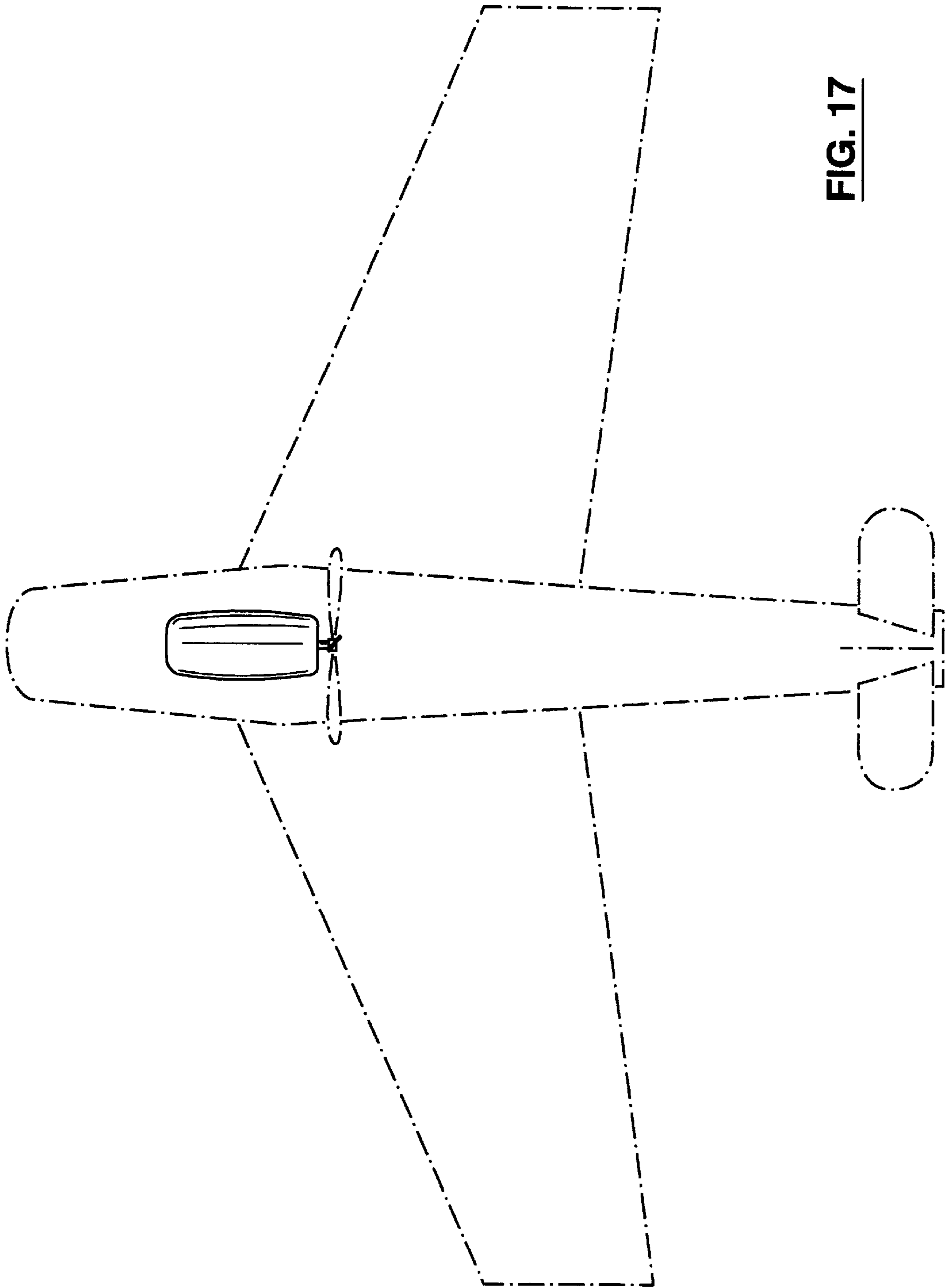


FIG. 17

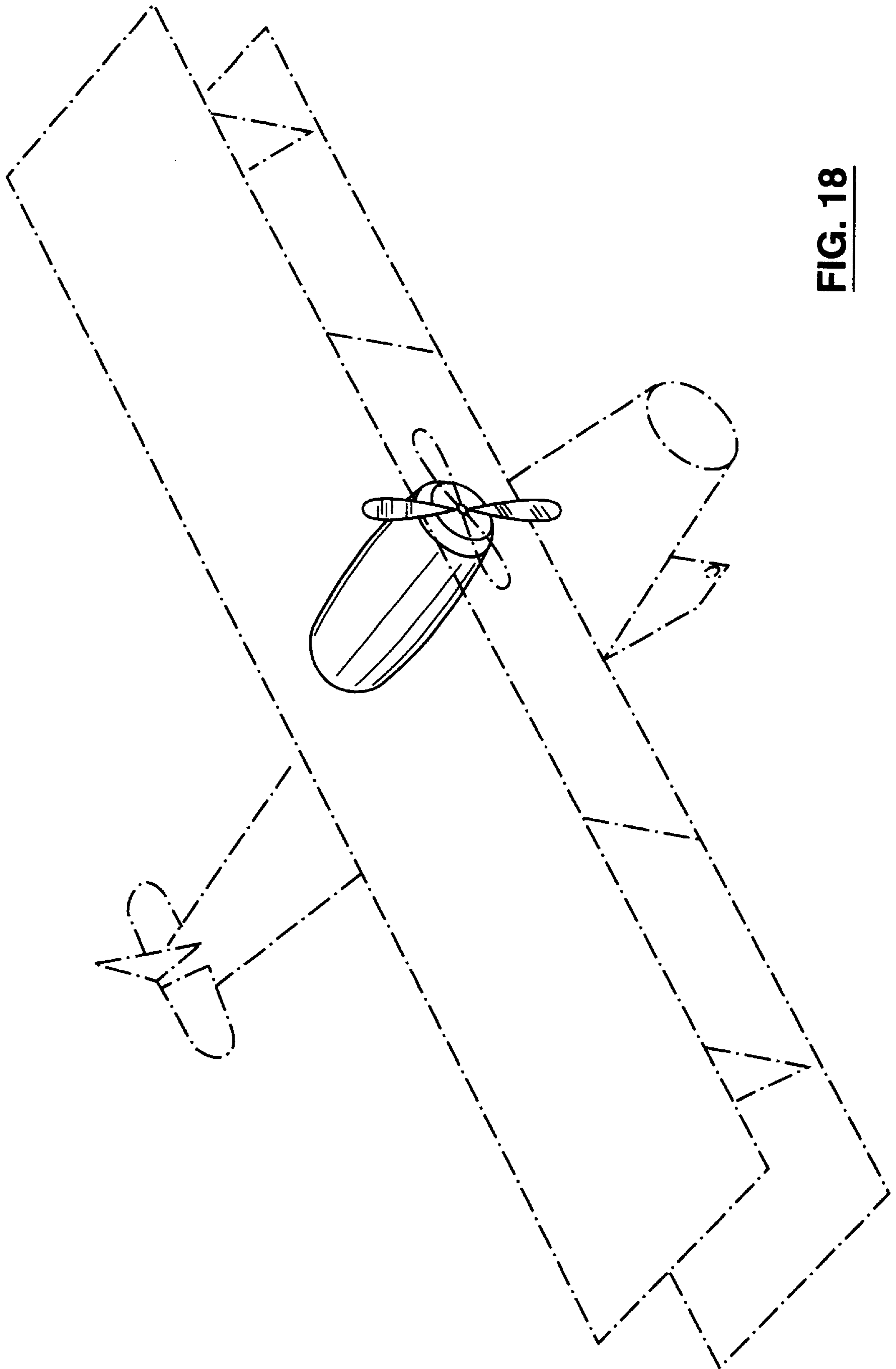
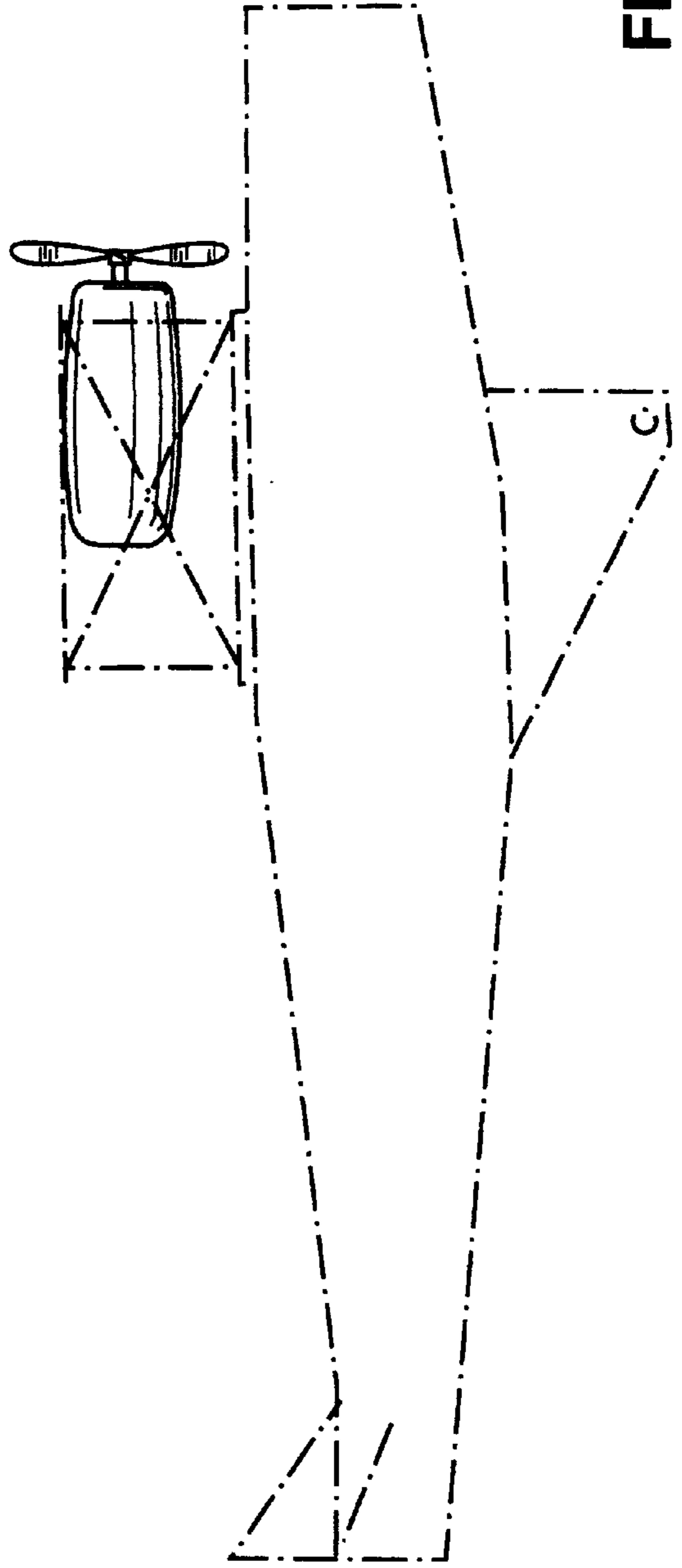
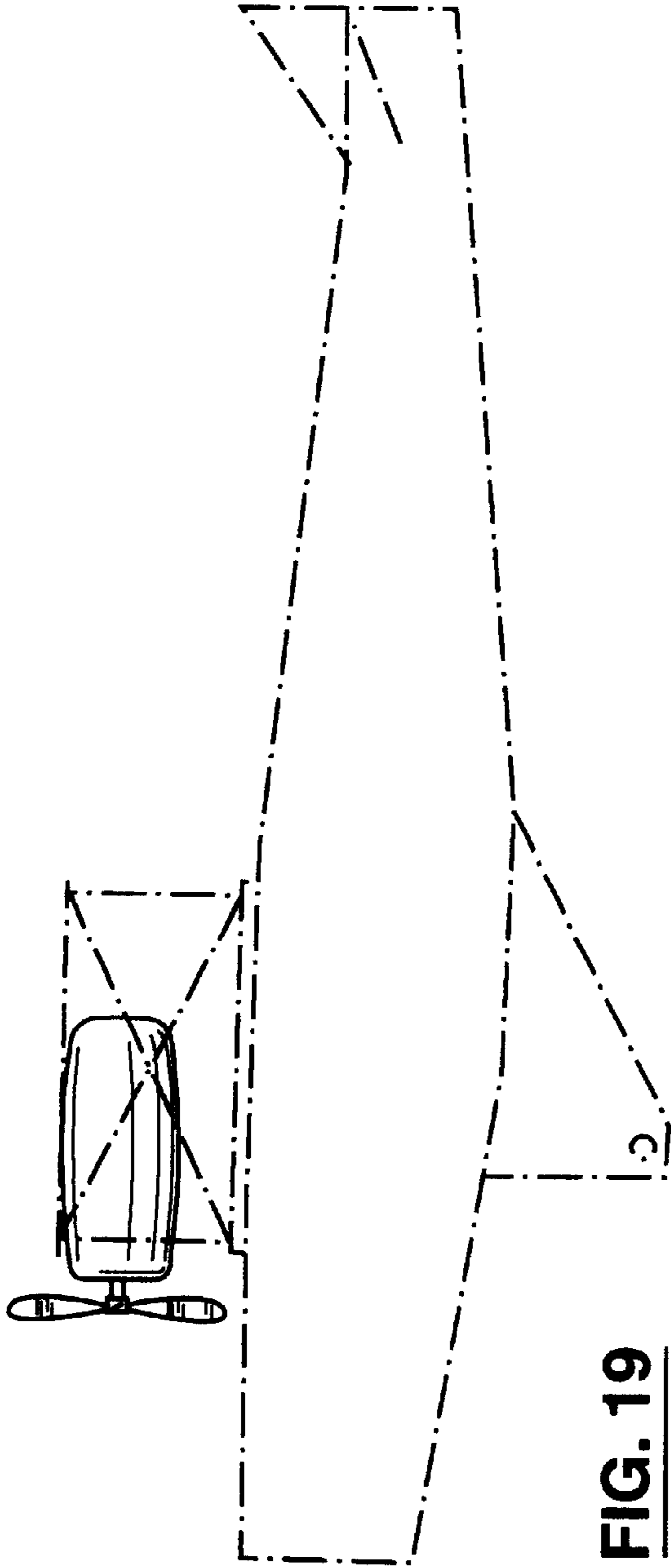


FIG. 18



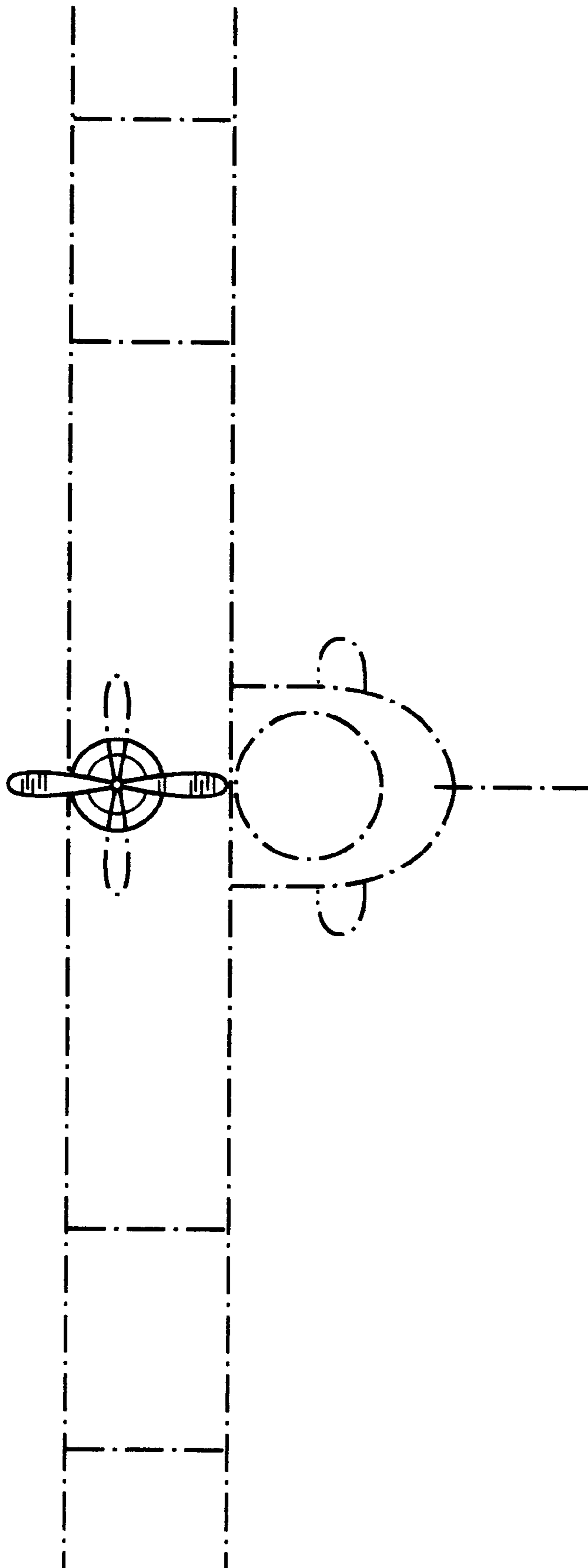


FIG. 21

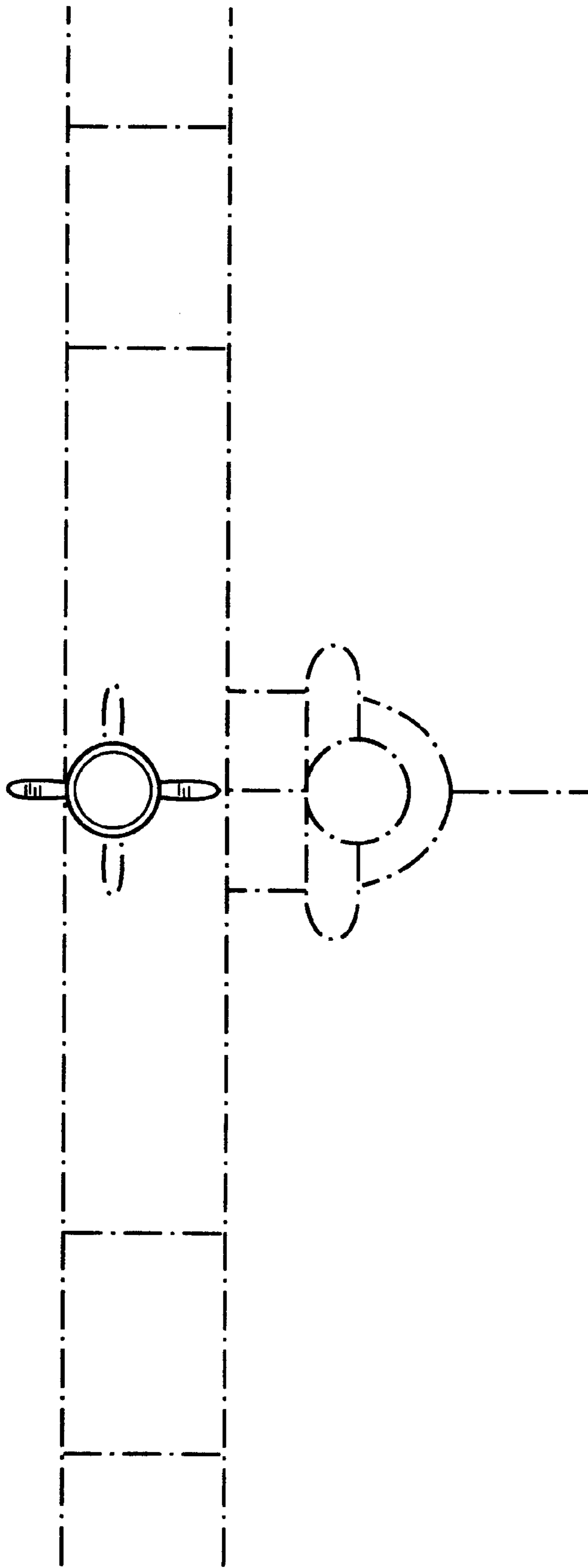


FIG. 22

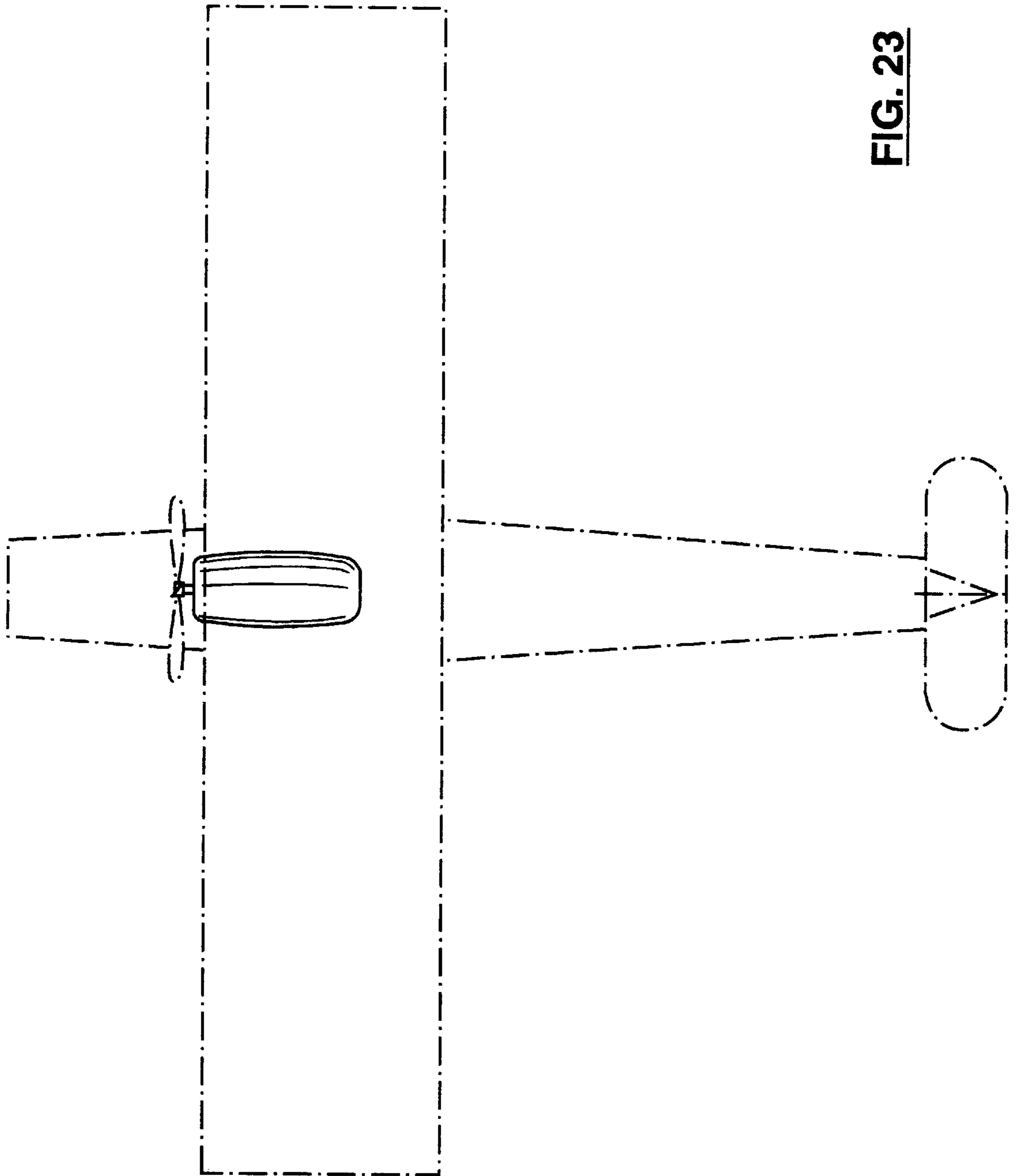


FIG. 23

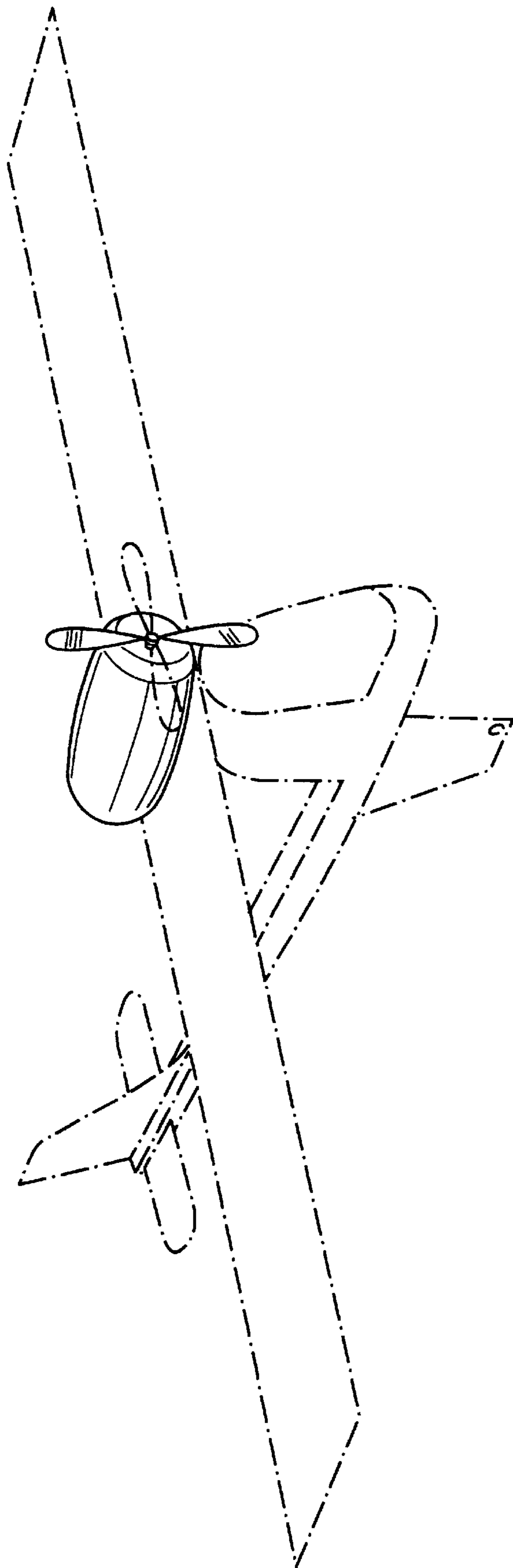


FIG. 24

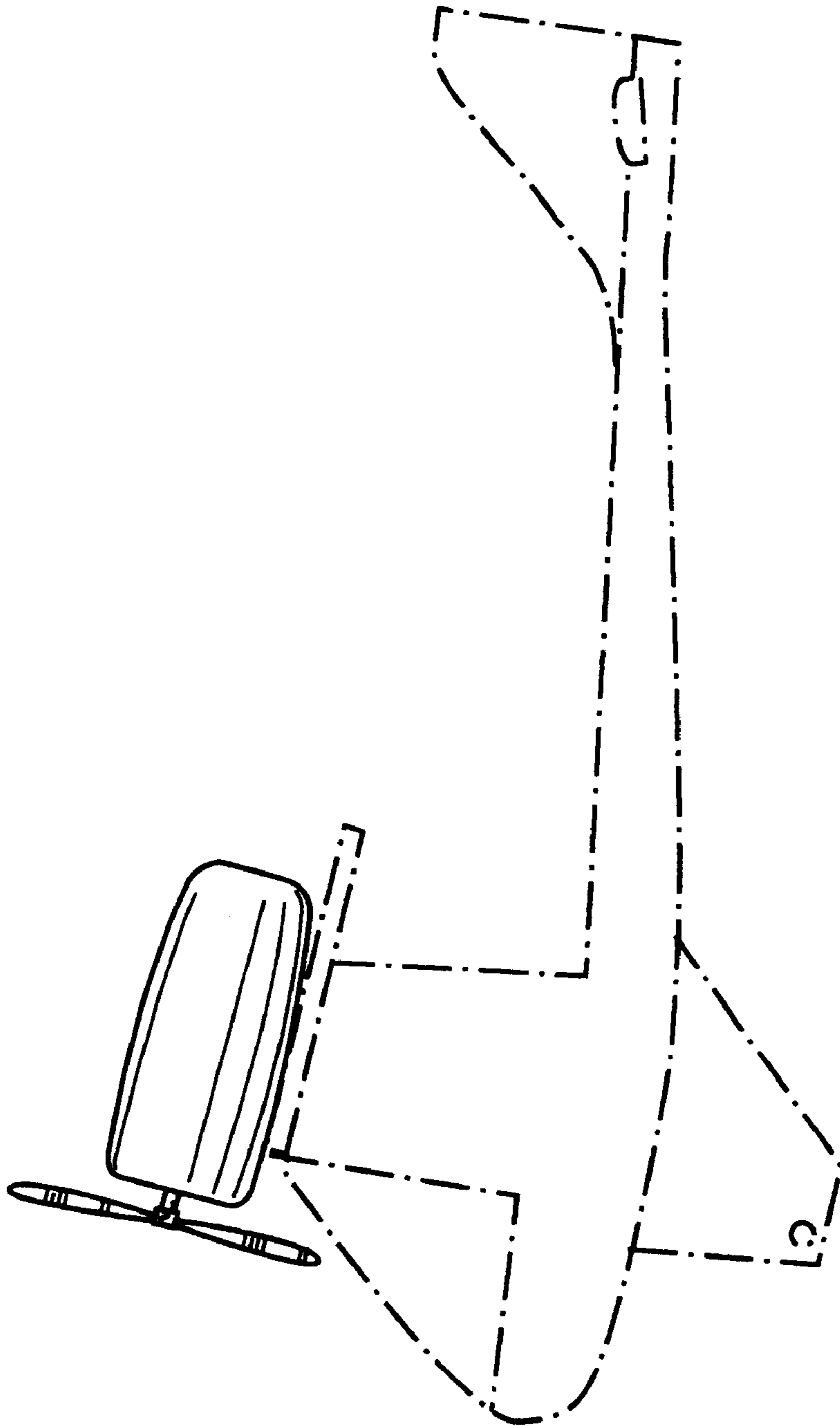


FIG. 25

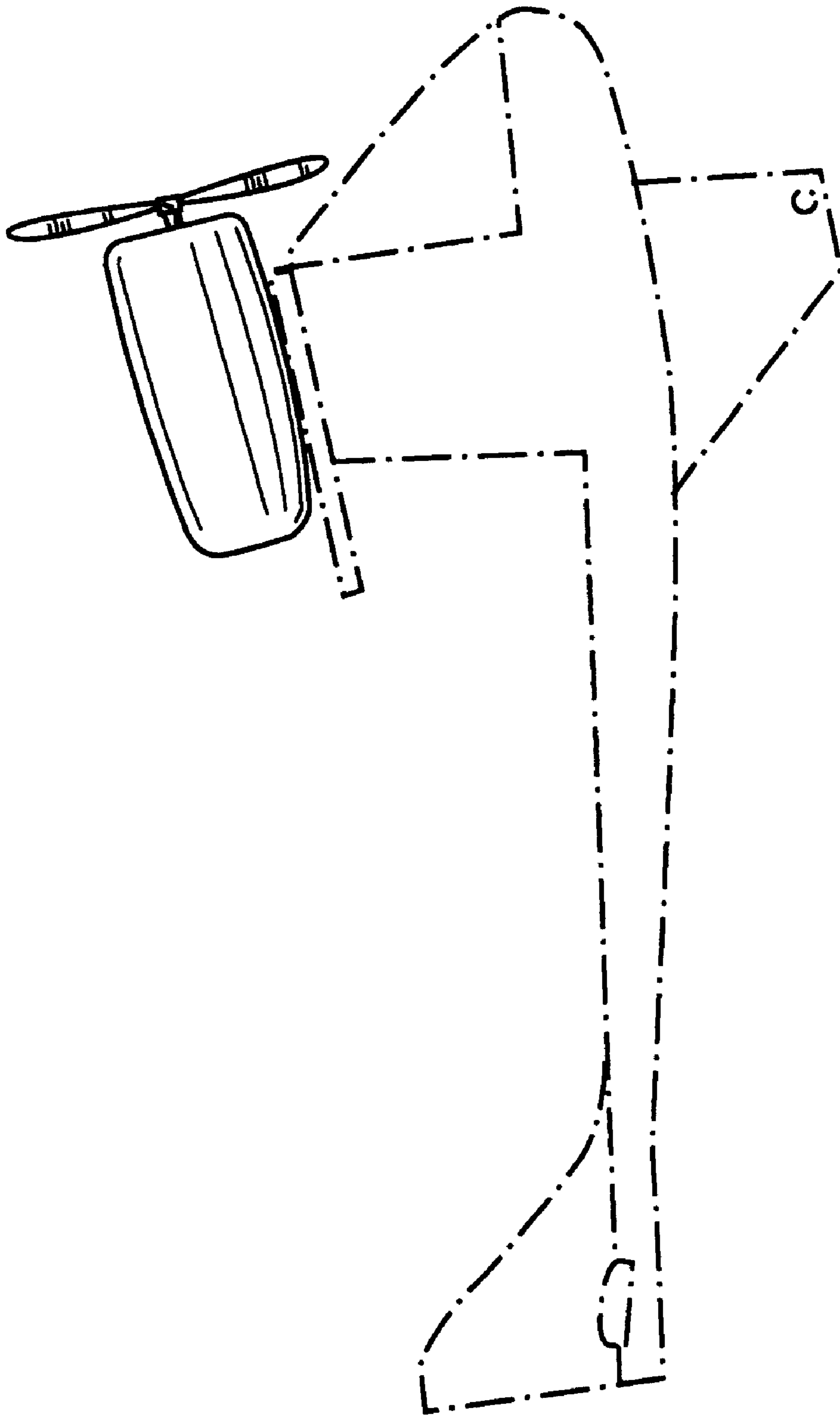


FIG. 26

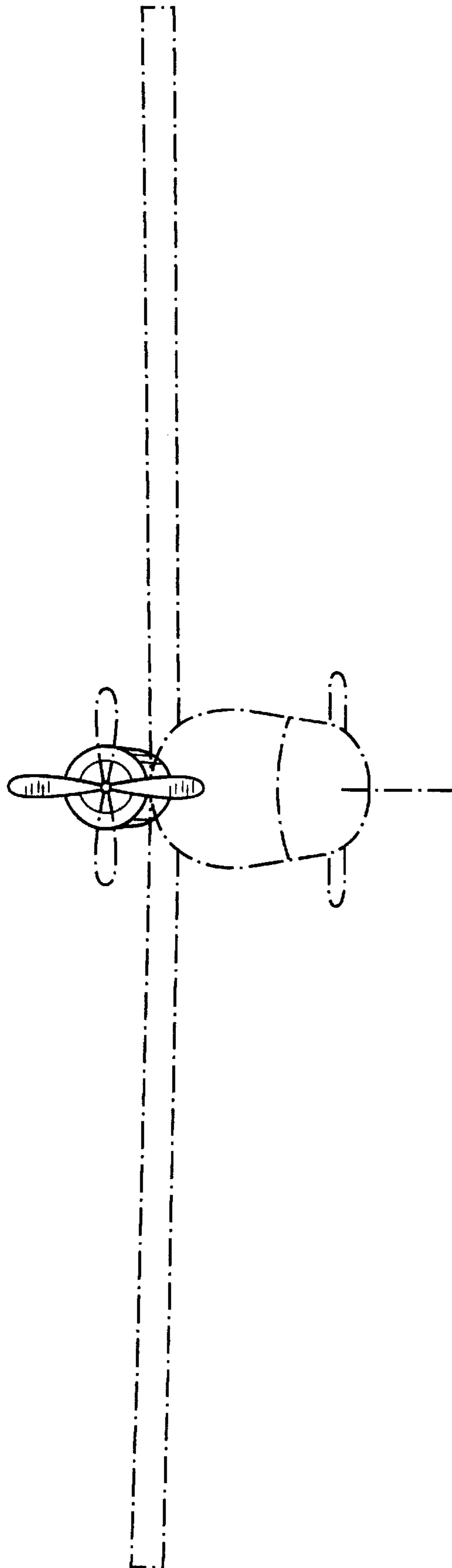


FIG. 27

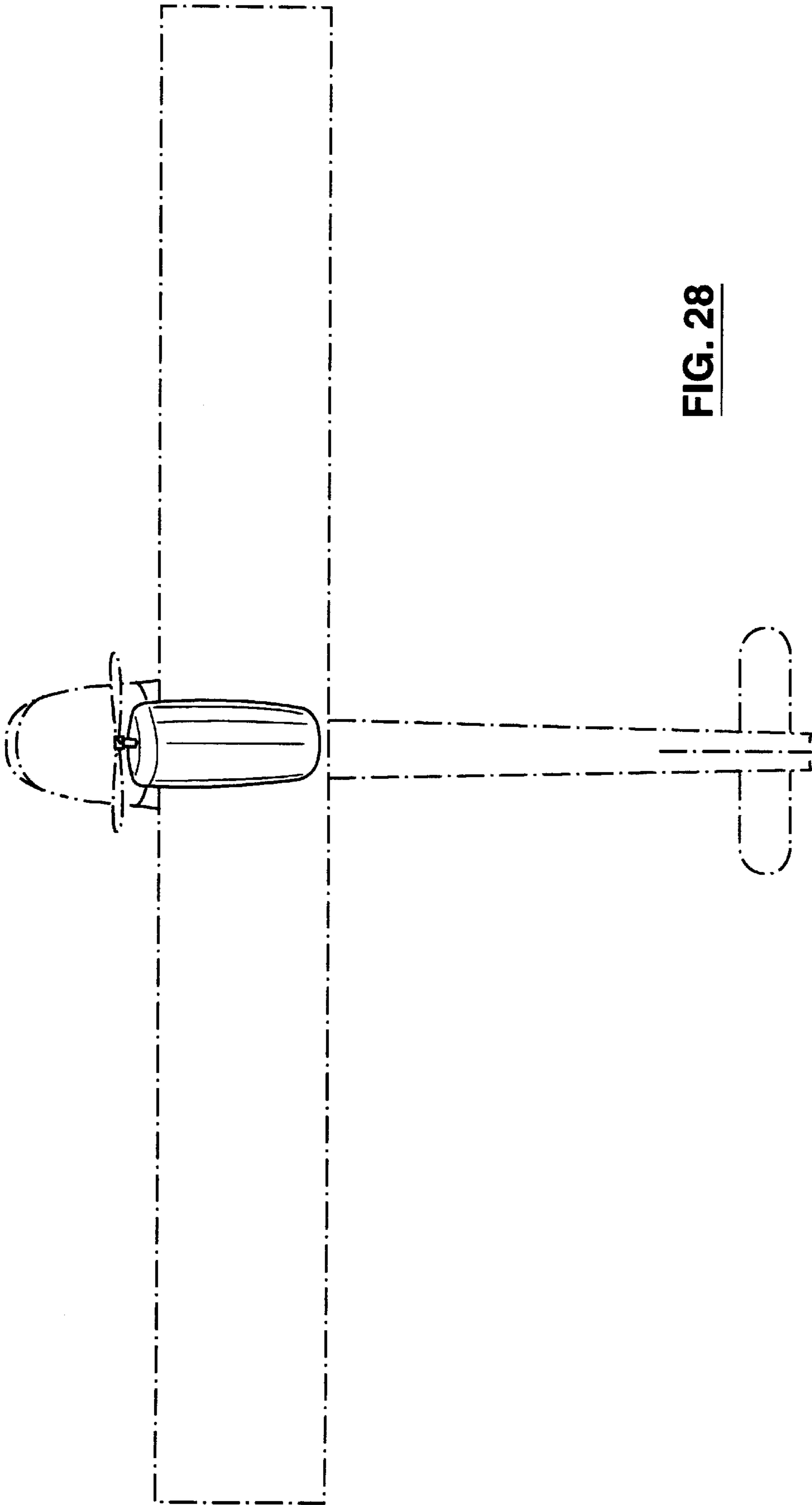


FIG. 28

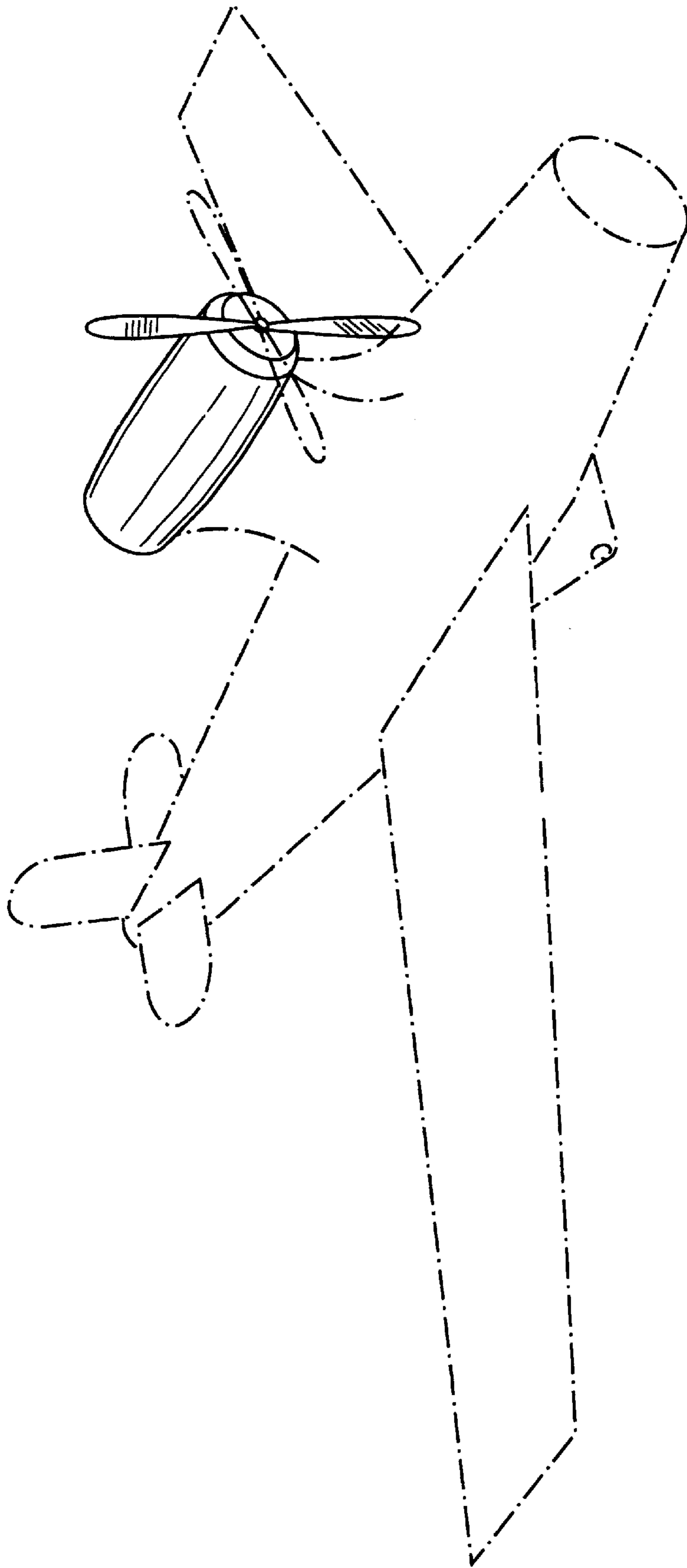


FIG. 29

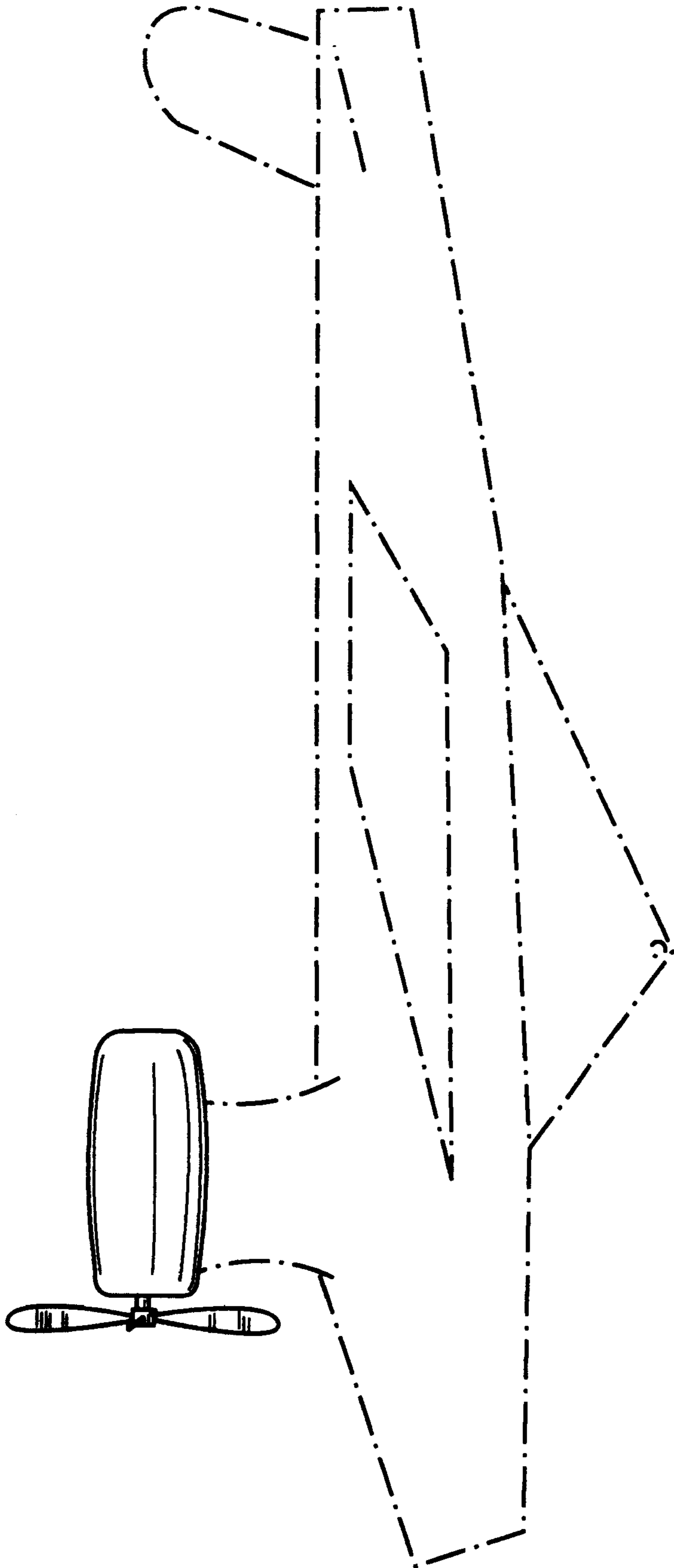


FIG. 30

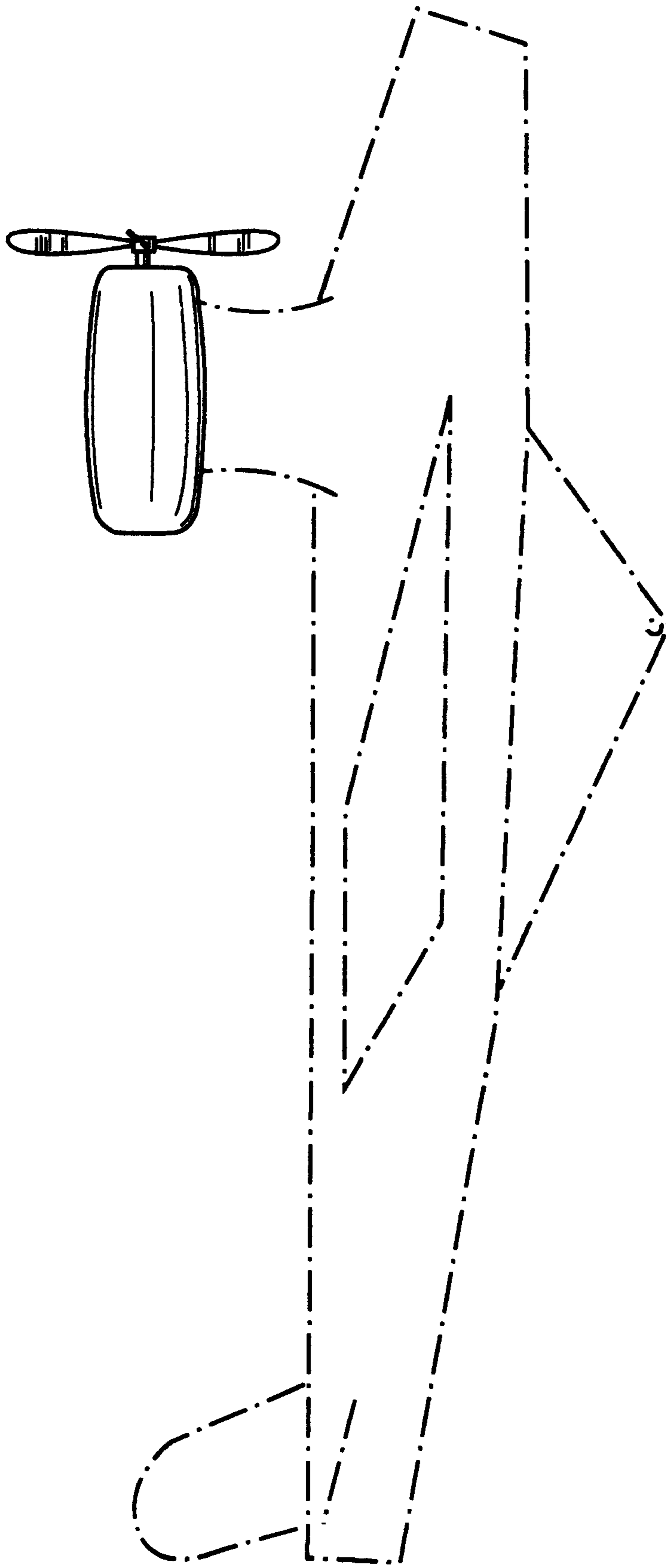


FIG. 31

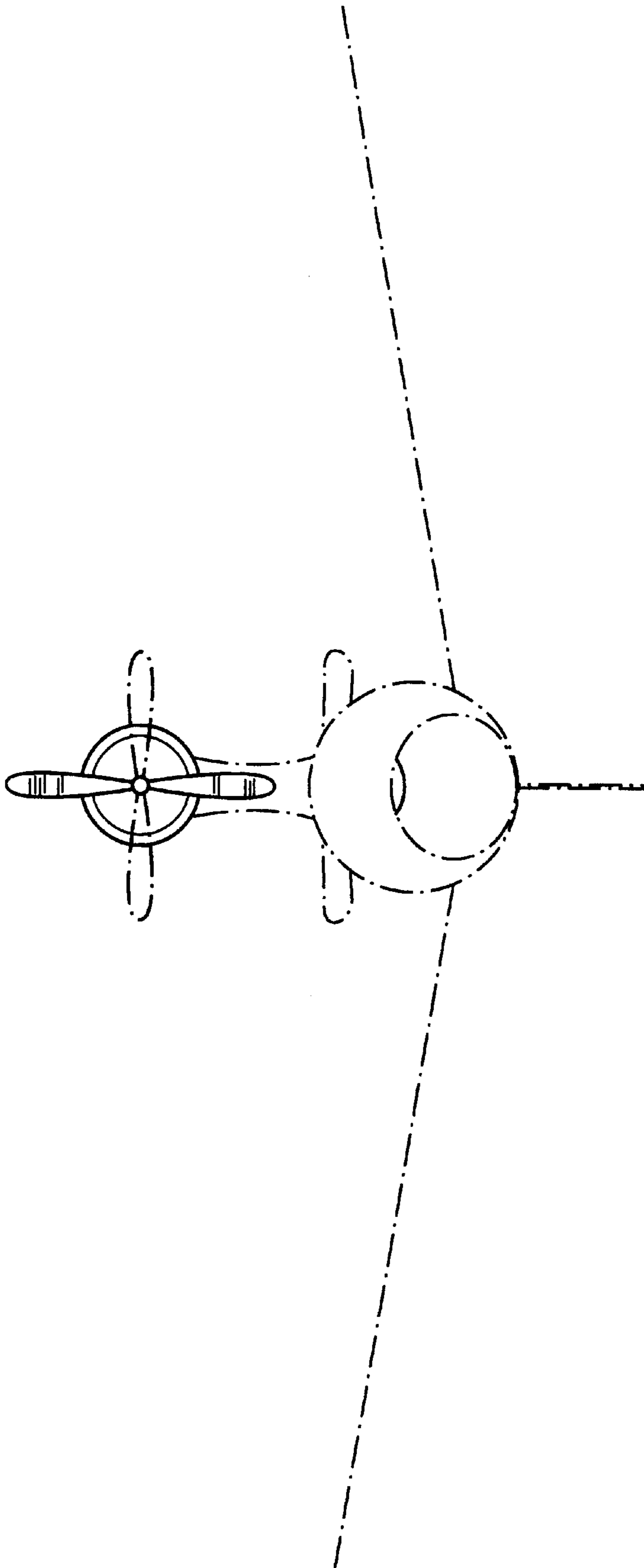


FIG. 32

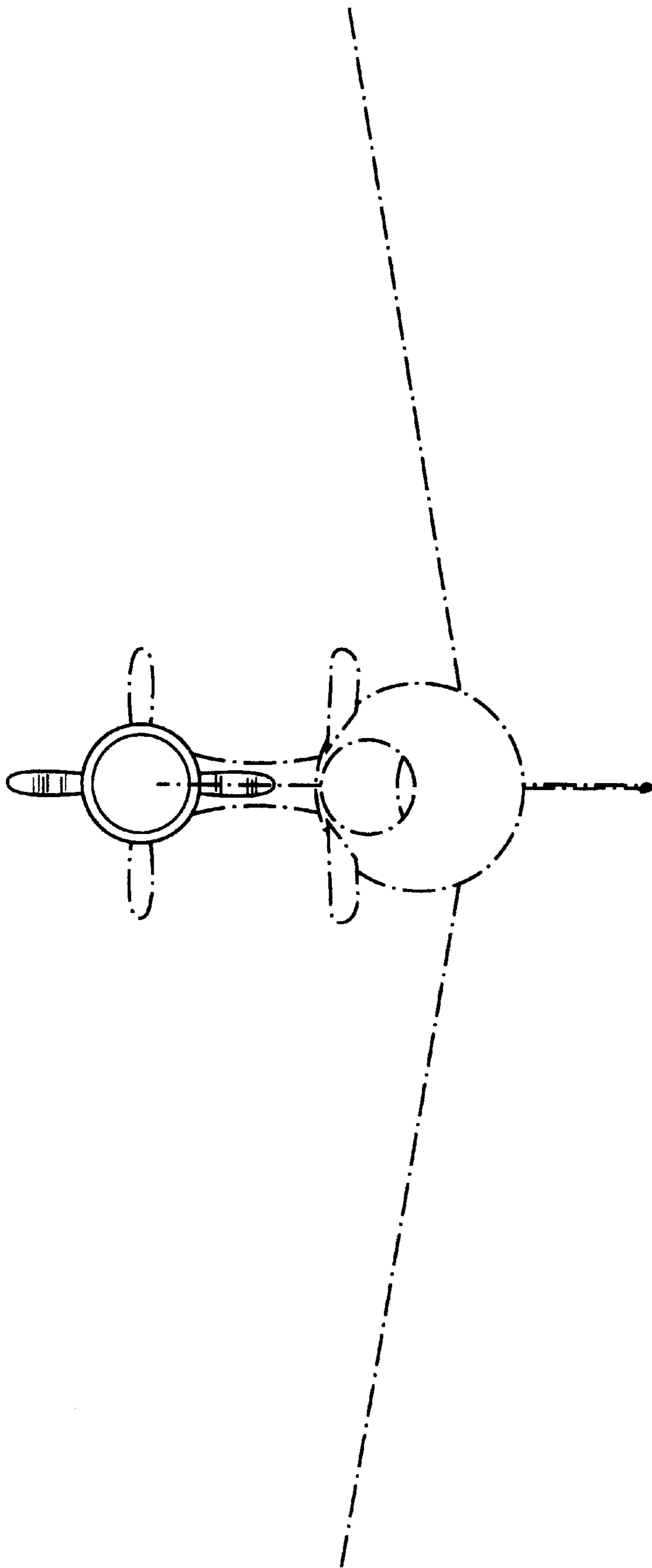


FIG. 33

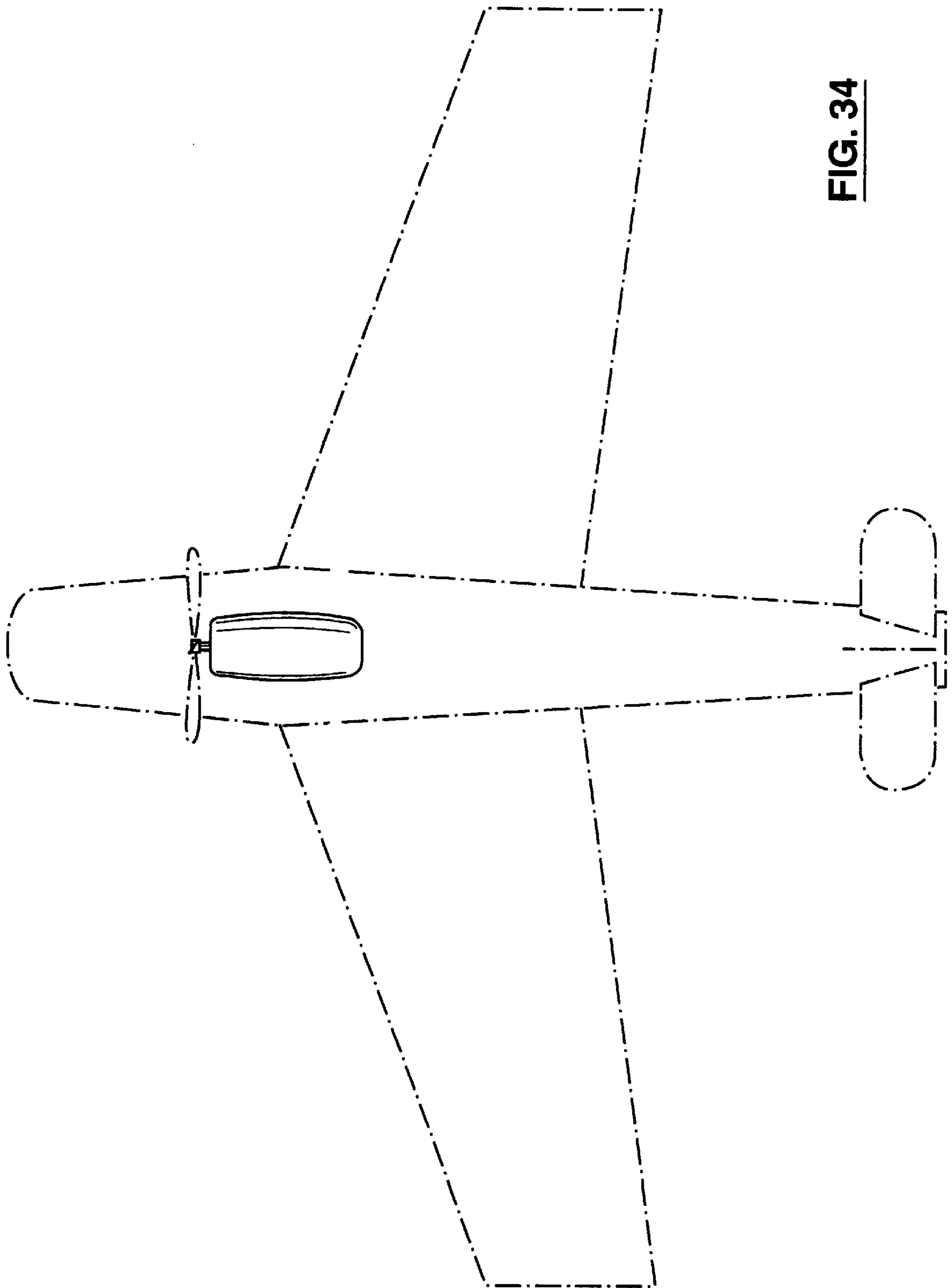


FIG. 34