



US00D462727S

(12) **United States Design Patent**
Wu

(10) **Patent No.:** **US D462,727 S**

(45) **Date of Patent:** **** Sep. 10, 2002**

(54) **REAR BUMPER FOR A LEISURE CAR FOR CHILDREN**

(76) **Inventor:** **Jung-Jyh Wu**, No. 20, Da Yeou 1st Street, Da Lian Shiang, Kaohsiung Hsien (TW)

(**) **Term:** **14 Years**

(21) **Appl. No.:** **29/149,937**

(22) **Filed:** **Oct. 23, 2001**

(51) **LOC (7) Cl.** **21-01**

(52) **U.S. Cl.** **D21/433; D21/561**

(58) **Field of Search** D21/419-434, D21/533, 537, 548-551, 561, 562; D12/163, 167, 169-172, 16, 87-88, 90-92; 446/424-425, 427, 433, 454, 456-457, 462, 465, 470, 471, 93, 95; 280/87.01, 87.021, 828, 1.13

(56) **References Cited**

U.S. PATENT DOCUMENTS

D402,332 S * 12/1998 Fichter D21/433
D409,126 S * 5/1999 Hoyle, Jr. D12/169

D417,244 S * 11/1999 Yeh D21/433
D423,604 S * 4/2000 Yeh D21/433
D424,630 S * 5/2000 Tasy D21/433
D426,270 S * 6/2000 Rubau D21/433

* cited by examiner

Primary Examiner—Raphael Barkai

(74) *Attorney, Agent, or Firm*—Rosenberg, Klein & Lee

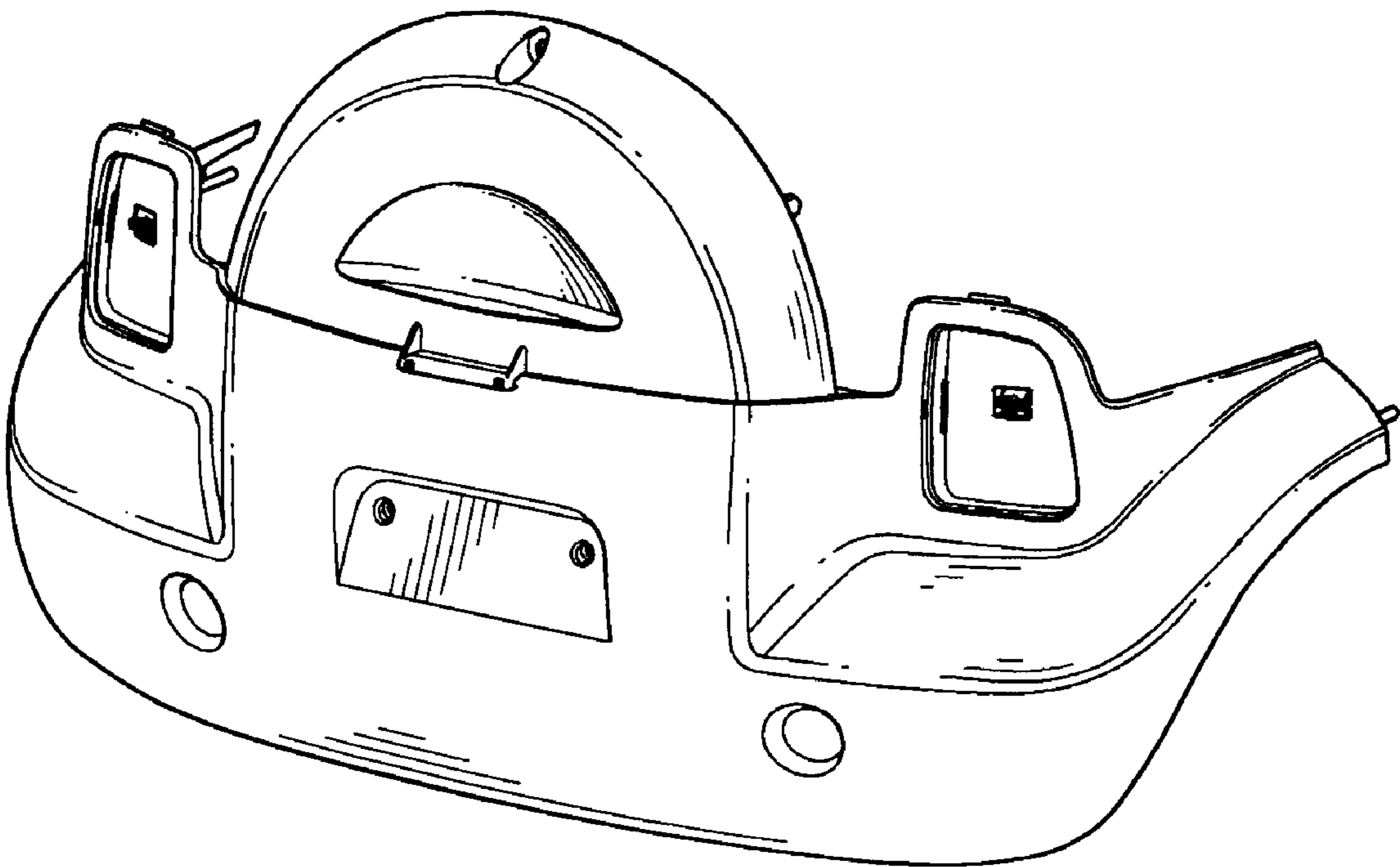
(57) **CLAIM**

The ornamental design for a rear bumper for a leisure car for children, as shown and described.

DESCRIPTION

FIG. 1 is a perspective view of a rear bumper for a leisure car for children showing my design;
FIG. 2 is a front elevational view thereof;
FIG. 3 is a rear elevational view thereof;
FIG. 4 is a left elevational view thereof;
FIG. 5 is a right elevational view thereof;
FIG. 6 is a top plan view thereof; and,
FIG. 7 is a bottom plan view thereof.

1 Claim, 4 Drawing Sheets



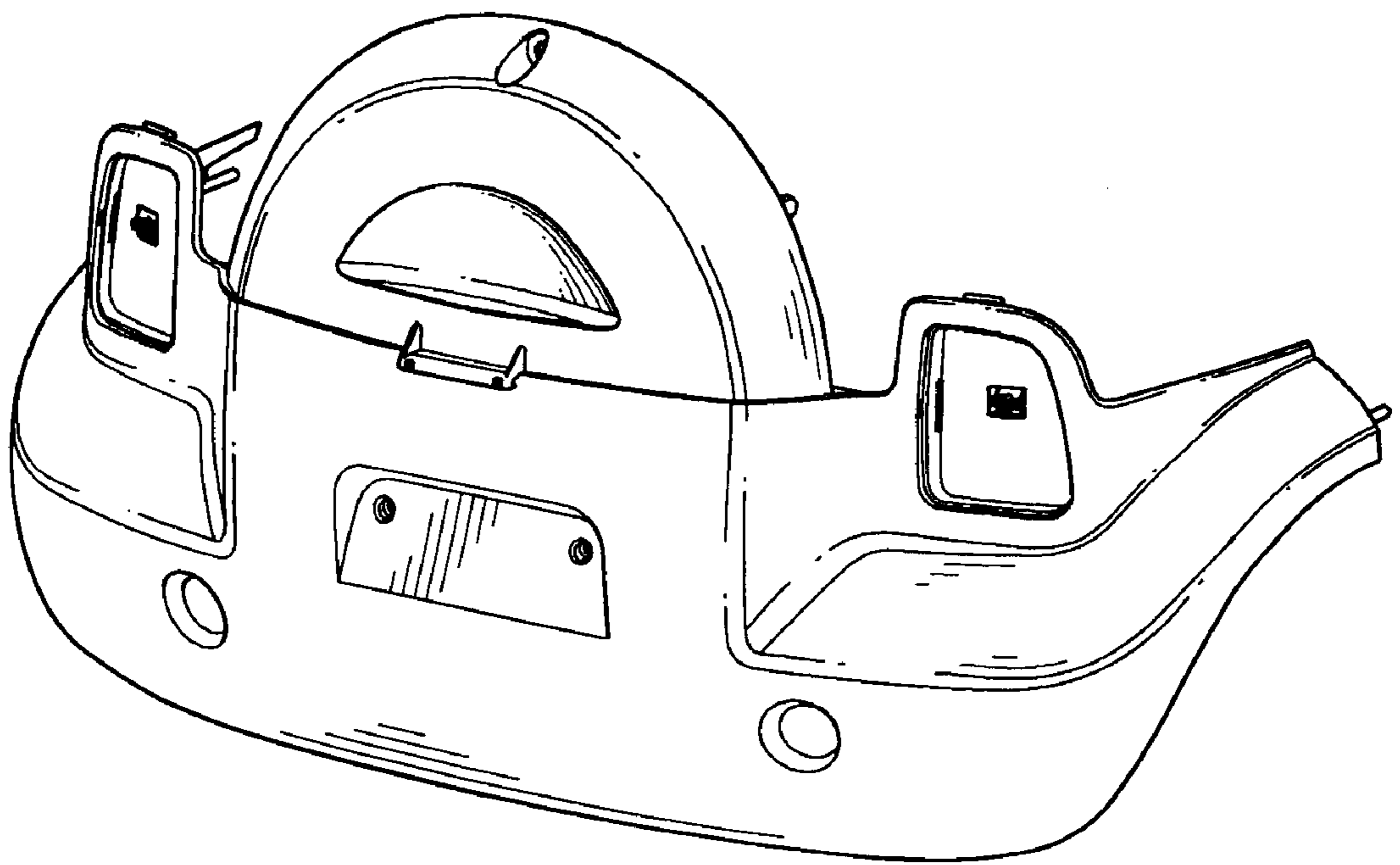


Fig. 1

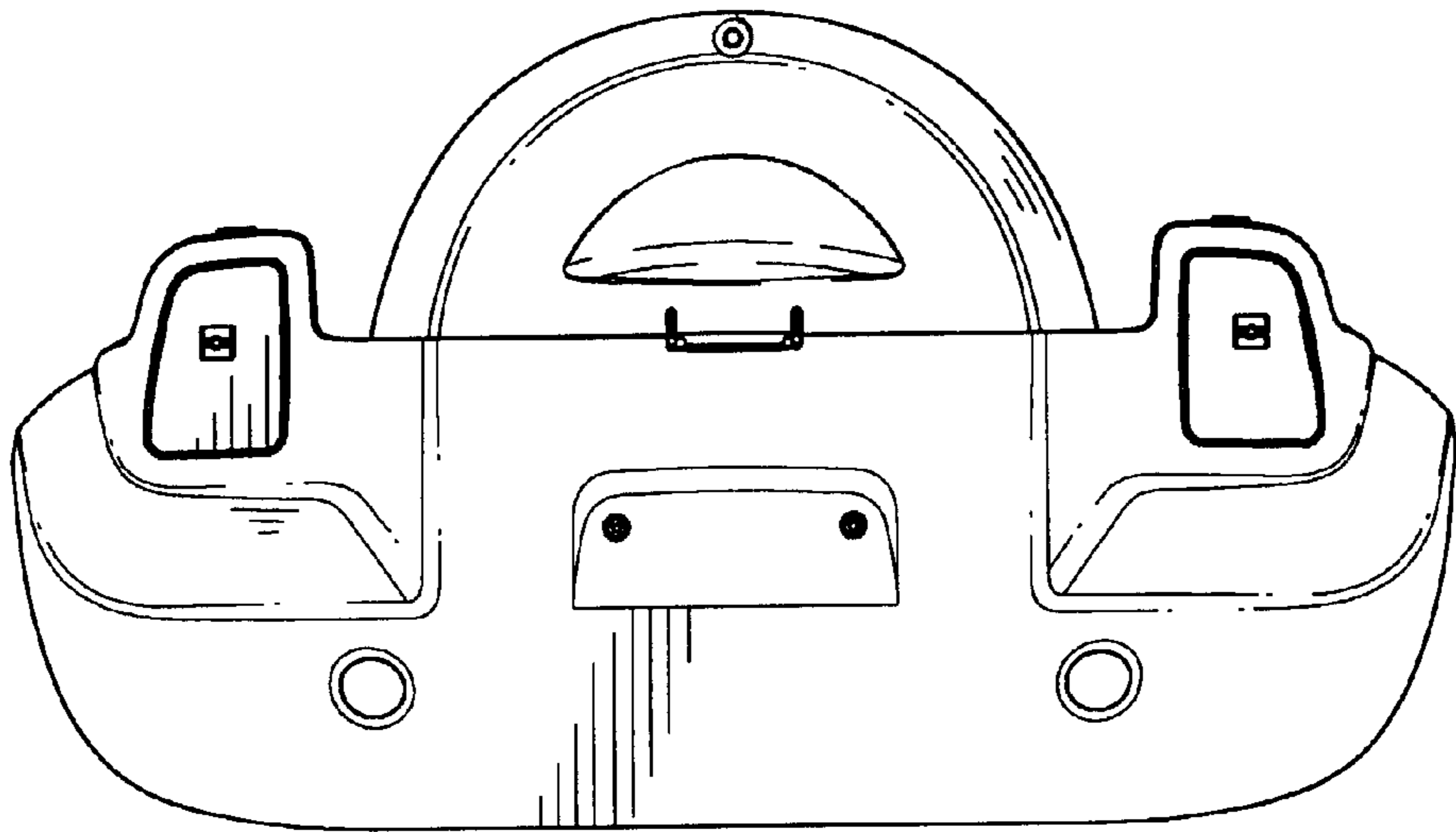


Fig. 2

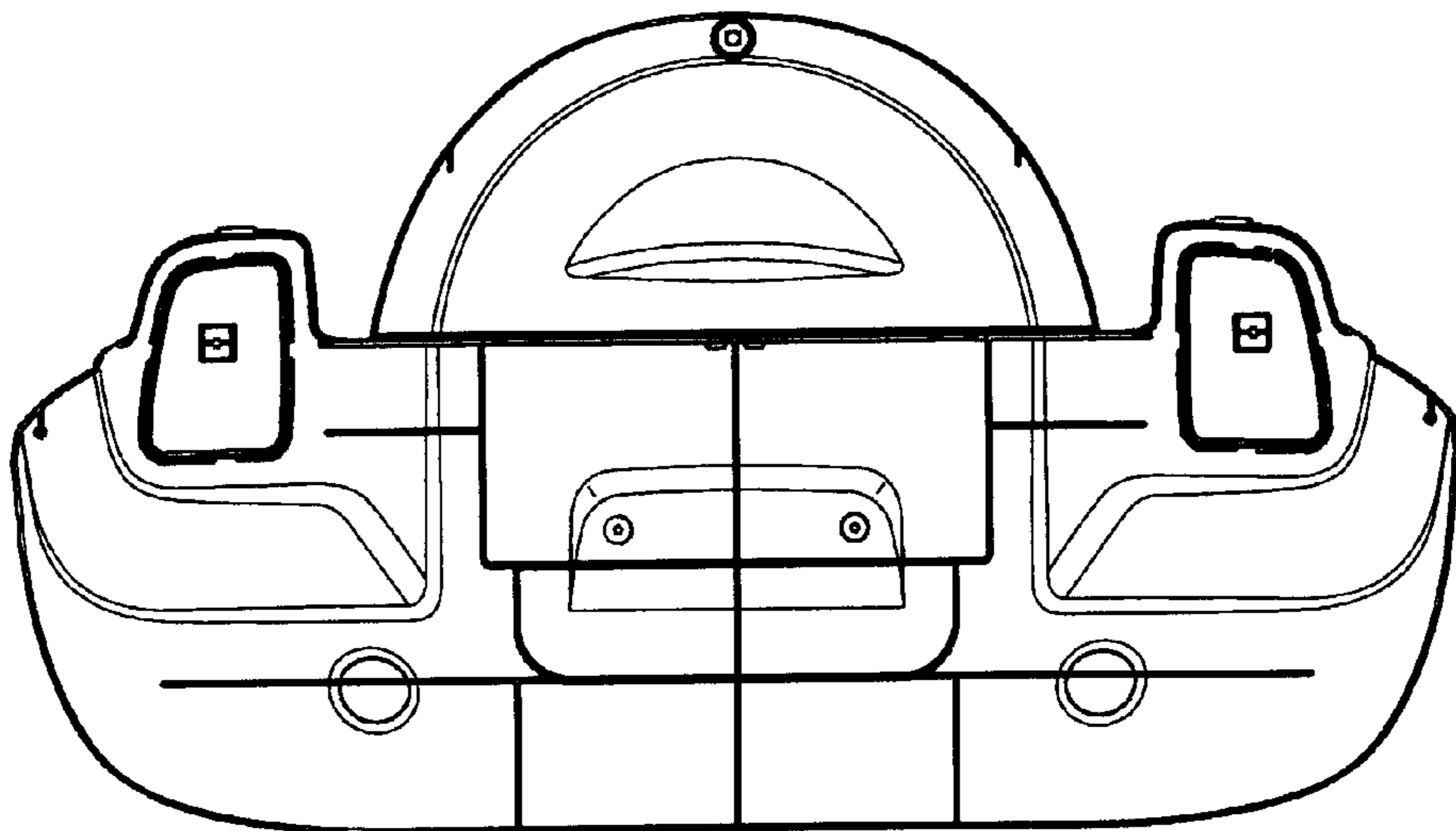


Fig. 3

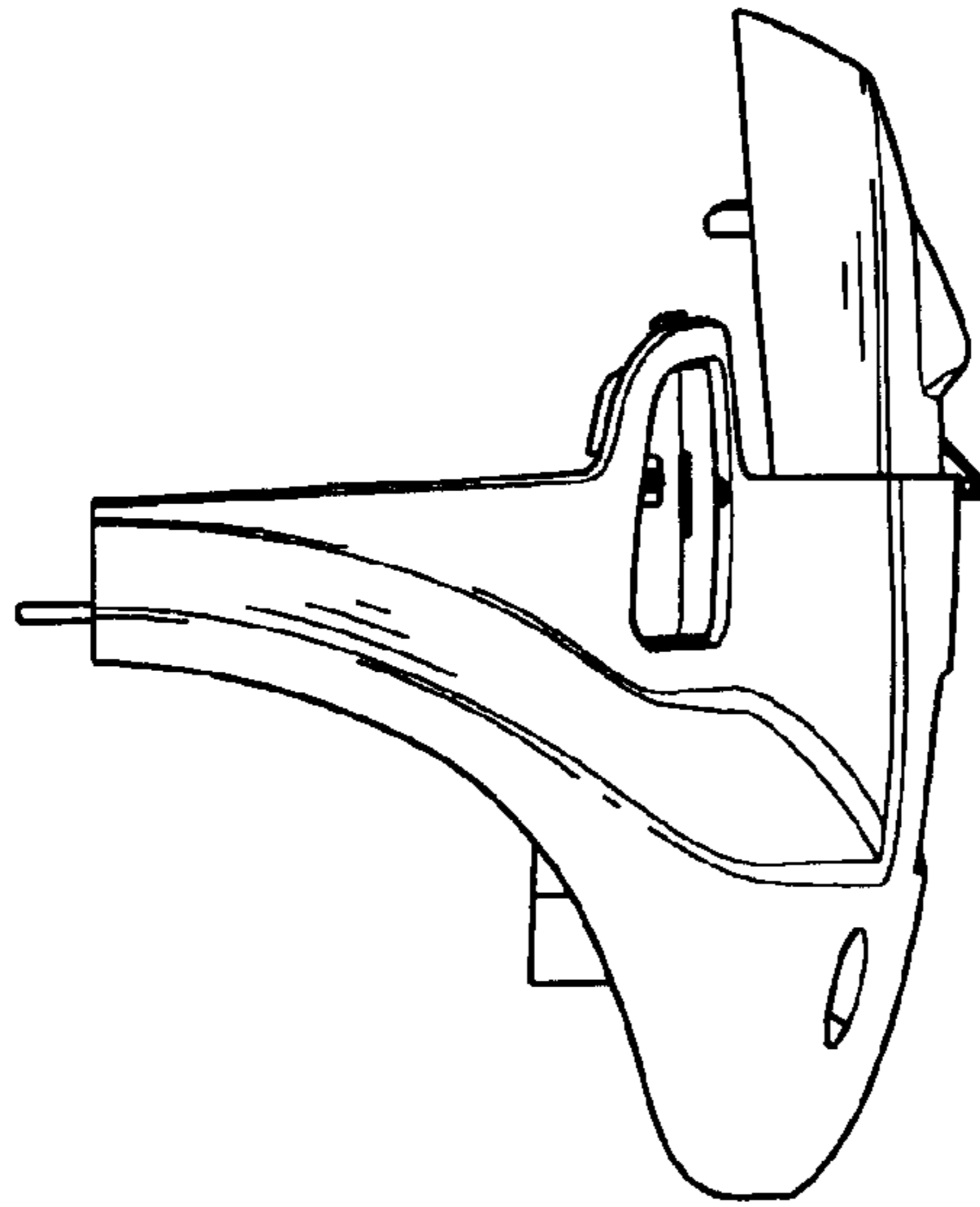


Fig. 4

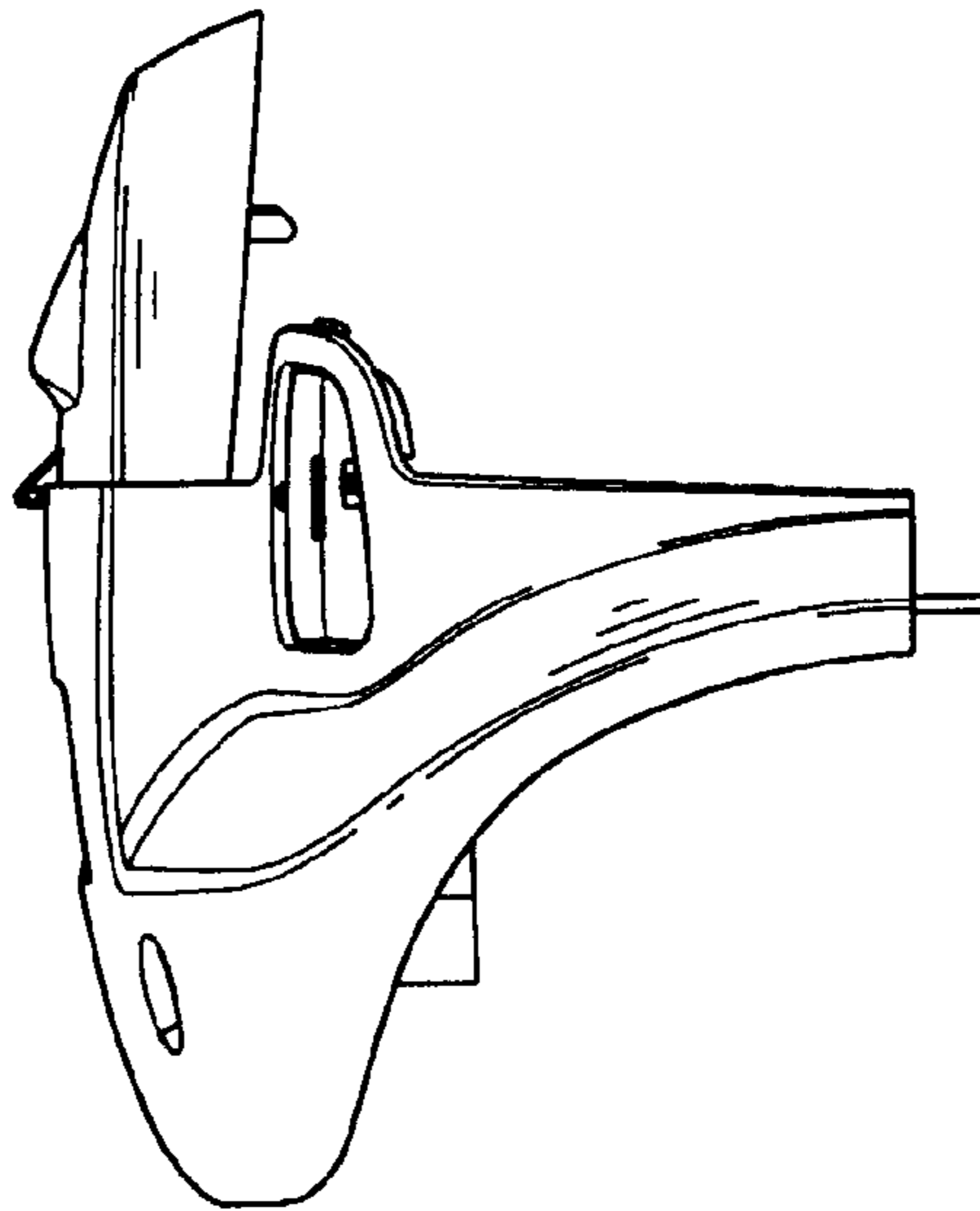


Fig. 5

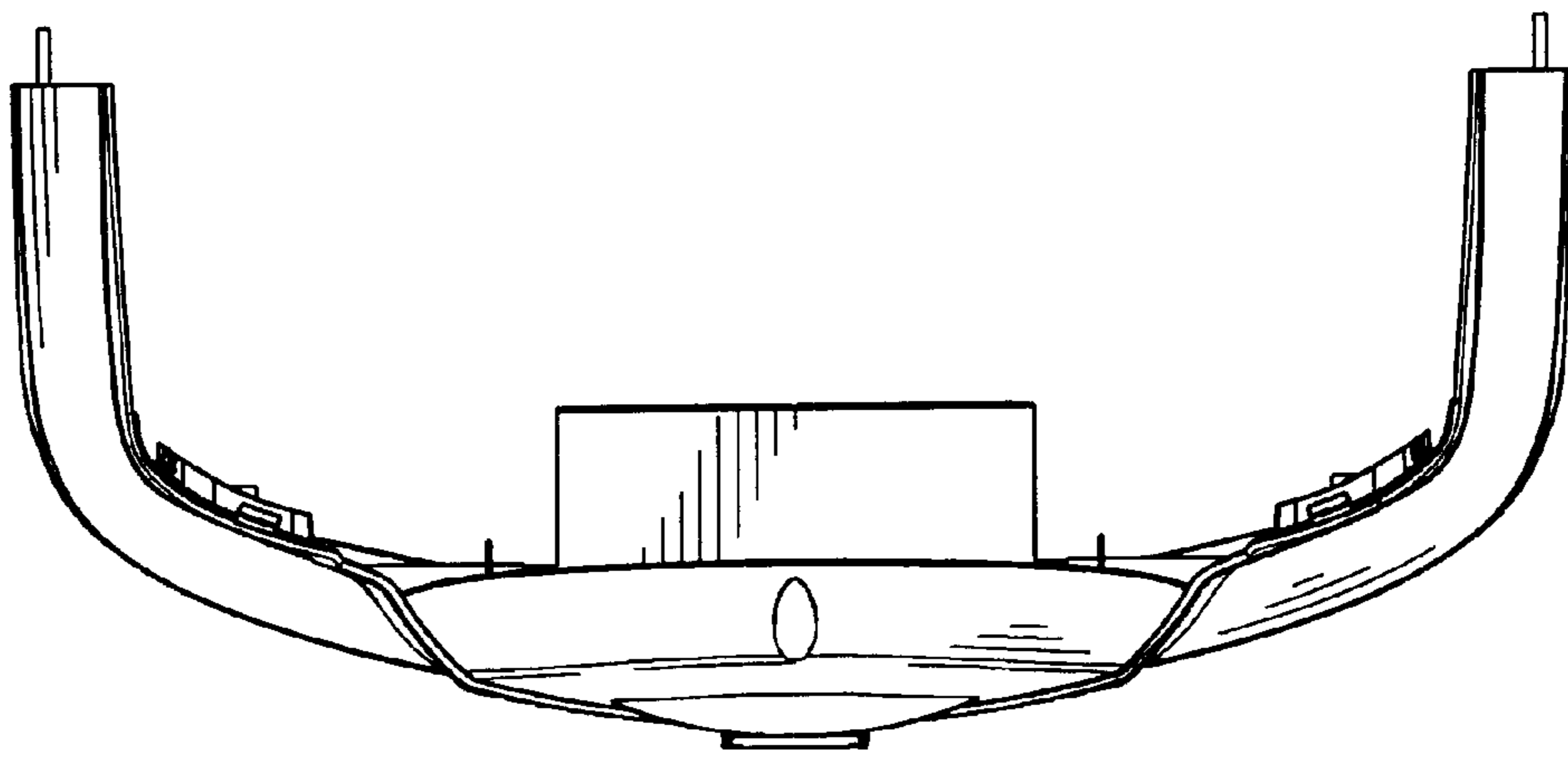


Fig. 6

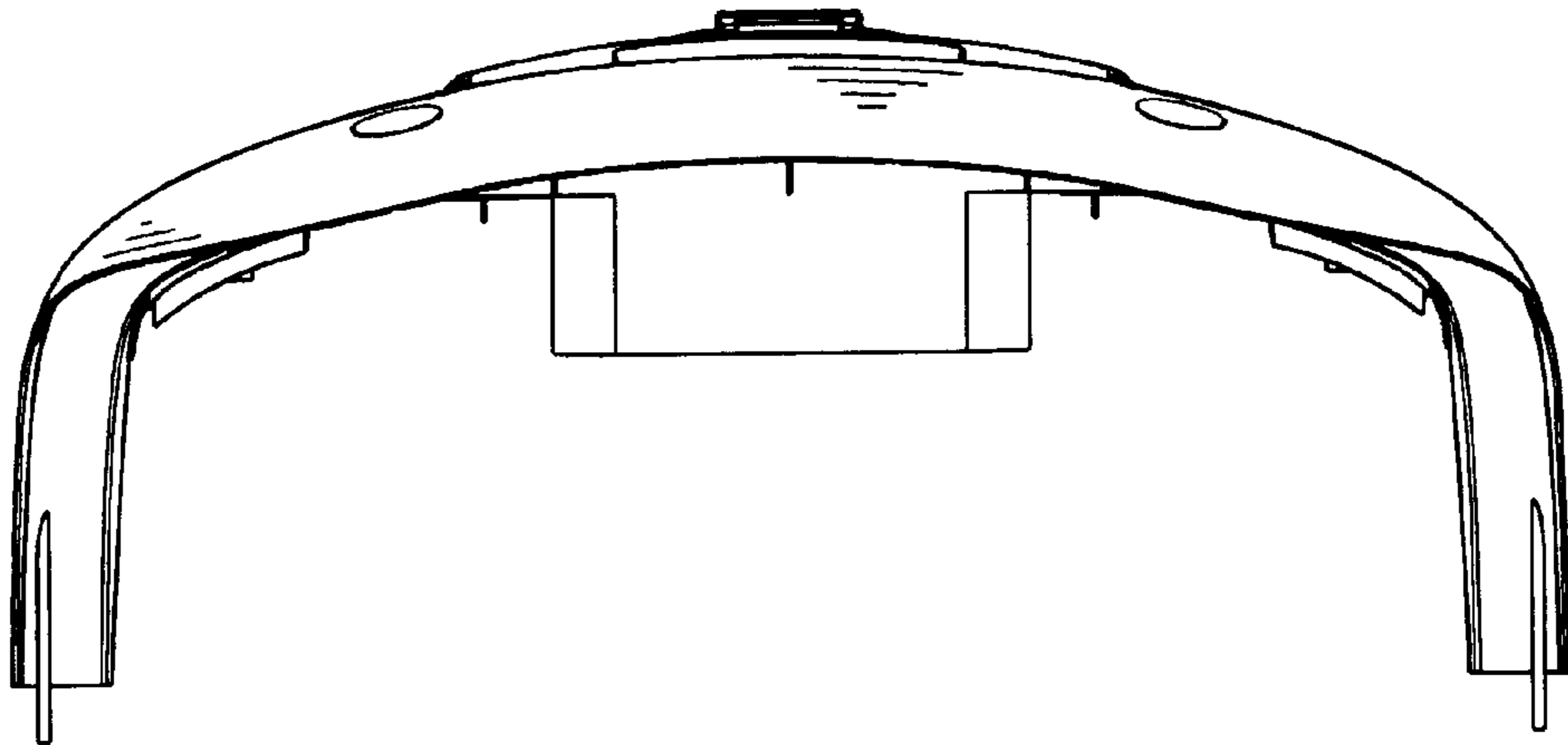


Fig. 7