



US00D462717S

(12) **United States Design Patent**
Rommel

(10) **Patent No.:** **US D462,717 S**

(45) **Date of Patent:** **** Sep. 10, 2002**

(54) **CLIP FOR A WRITING UTENSIL**

(75) **Inventor:** **Volkmar Rommel,**
Schwaebisch-Gmuend (DE)

(73) **Assignee:** **Merz & Krell GmbH & Co., KGaA,**
Gross-Bieberau (DE)

(**) **Term:** **14 Years**

(21) **Appl. No.:** **29/133,282**

(22) **Filed:** **Nov. 27, 2000**

(30) **Foreign Application Priority Data**

May 27, 2000 (DE) 400 05 107

(51) **LOC (7) Cl.** **19-06**

(52) **U.S. Cl.** **D19/56; D19/54**

(58) **Field of Search** D19/35, 36, 41-51,
D19/53-58, 81-85; 401/98, 104-106, 202,
243-247, 262; 24/10 R, 11 R, 11 F, 11 C,
11 CC, 11 PP, 11 P

(56) **References Cited**

U.S. PATENT DOCUMENTS

D46,588 S	10/1914	Boman	
1,316,069 A *	9/1919	Van Valkenburg	24/11 R
D106,459 S *	10/1937	Sumi	D19/36
2,320,455 A *	6/1943	Feig	24/11 P
D138,825 S	9/1944	Waldinger	D19/50
2,368,425 A *	1/1945	Reynolds	24/11 F X
D145,171 S *	7/1946	Green et al.	D19/56
3,602,600 A	8/1971	Kanski	401/115
D319,845 S	9/1991	Grotsch et al.	D19/48
D332,963 S	2/1993	Anavil et al.	D19/49
D336,491 S	6/1993	Vitrac	D19/43
D342,087 S *	12/1993	Mear et al.	D19/36
D342,545 S	12/1993	Kao	D19/48
D345,577 S	3/1994	Hohner	D19/48
D352,960 S	11/1994	Zier	D19/51
D359,758 S	6/1995	Inami	D19/55
D394,455 S *	5/1998	Izushima	D19/48
D395,674 S	6/1998	Gacia	D19/51
D406,862 S	3/1999	Schmidt et al.	D19/51
D418,163 S	12/1999	Rosen	D19/51
D418,541 S	1/2000	Mayer	D19/50

D418,873 S	1/2000	Shen	D19/51
D425,559 S	5/2000	Beneyto	D19/51
D428,918 S *	8/2000	Mittersinker	D19/56
D430,209 S	8/2000	Rommel	D19/50
D443,896 S	6/2001	Briggl et al.	D19/49

FOREIGN PATENT DOCUMENTS

DE	49912108	6/2000
XH	DM/047097	12/1998

OTHER PUBLICATIONS

Senator Ideas Promotion 2000, Catalogue, 2000.

* cited by examiner

Primary Examiner—Martie K. Holtje

(74) *Attorney, Agent, or Firm*—Duane Morris LLP

(57) **CLAIM**

The ornamental design for a clip for a writing utensil, as shown and described.

DESCRIPTION

FIG. 1 is a perspective view of a clip for a writing utensil according to the design, which has a bow shaped elongated portion and an ellipsoidal end.

FIG. 2 is a perspective view thereof from an opposite side compared to FIG. 1;

FIG. 3 is a front elevation view thereof;

FIG. 4 is a rear elevation view;

FIG. 5 is a top plan view thereof;

FIG. 6 is a bottom plan view;

FIG. 7 is a side elevation, the view from the opposite side being a mirror image of that shown;

FIG. 8 is a front elevation showing the design in association with a pen body, the body shown in broken lines and forming no part of the claimed design;

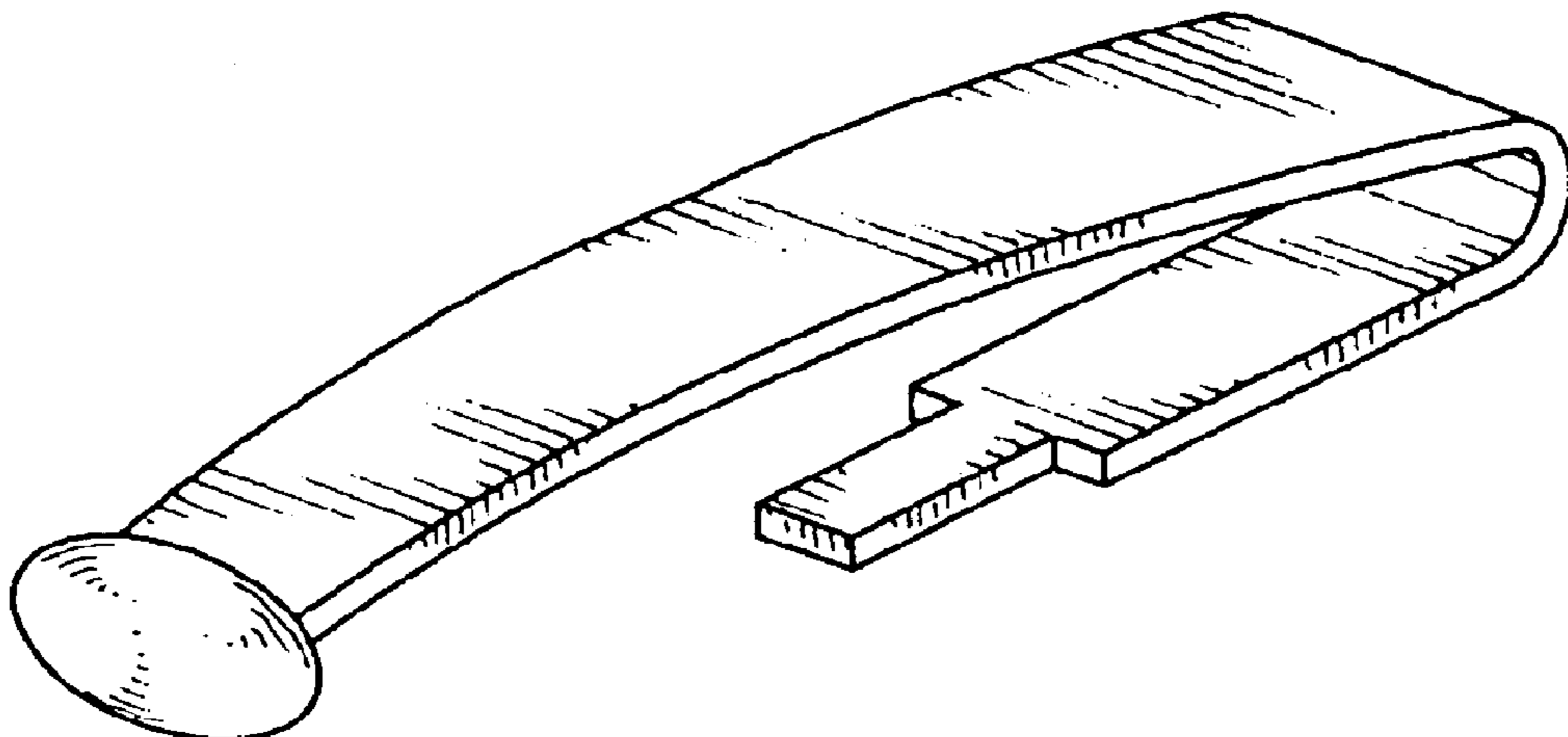
FIG. 9 is a side elevation of the design from the left side in FIG. 8, the opposite side being a mirror image of that shown;

FIG. 10 is a rear elevation view, from the back in FIG. 8 or the left side in FIG. 9;

FIG. 11 is a top plan view; and,

FIG. 12 is a bottom plan view.

1 Claim, 3 Drawing Sheets



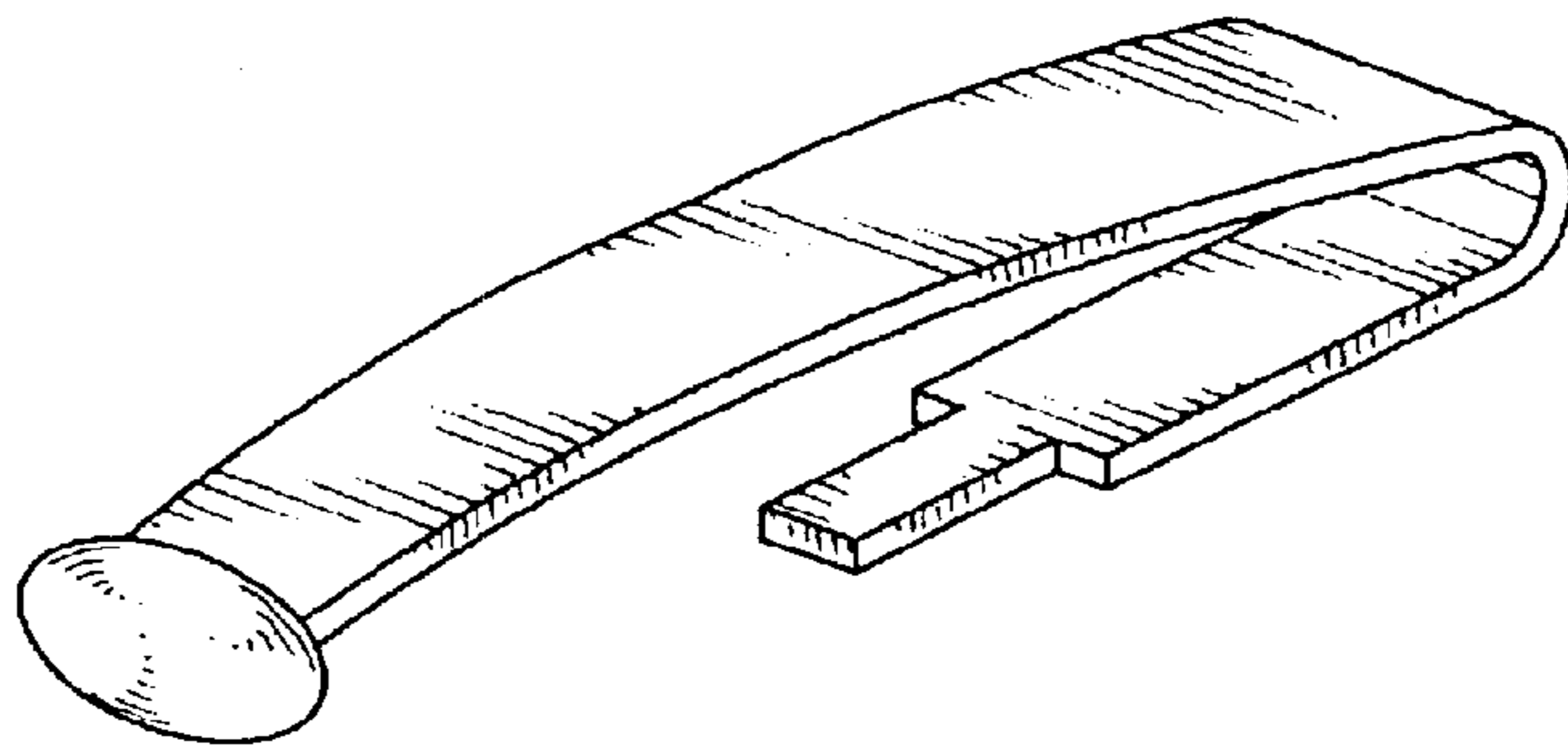


FIG. 1

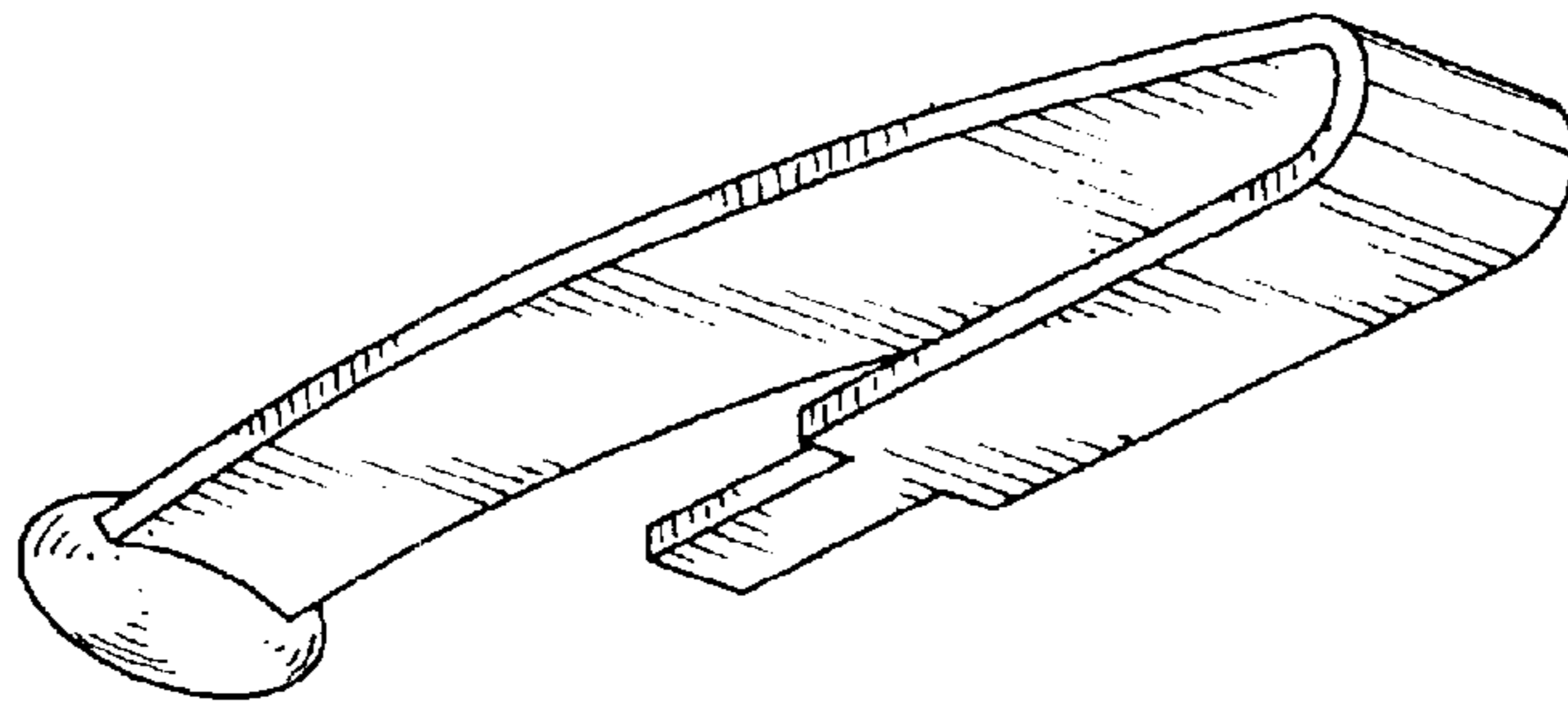


FIG. 2

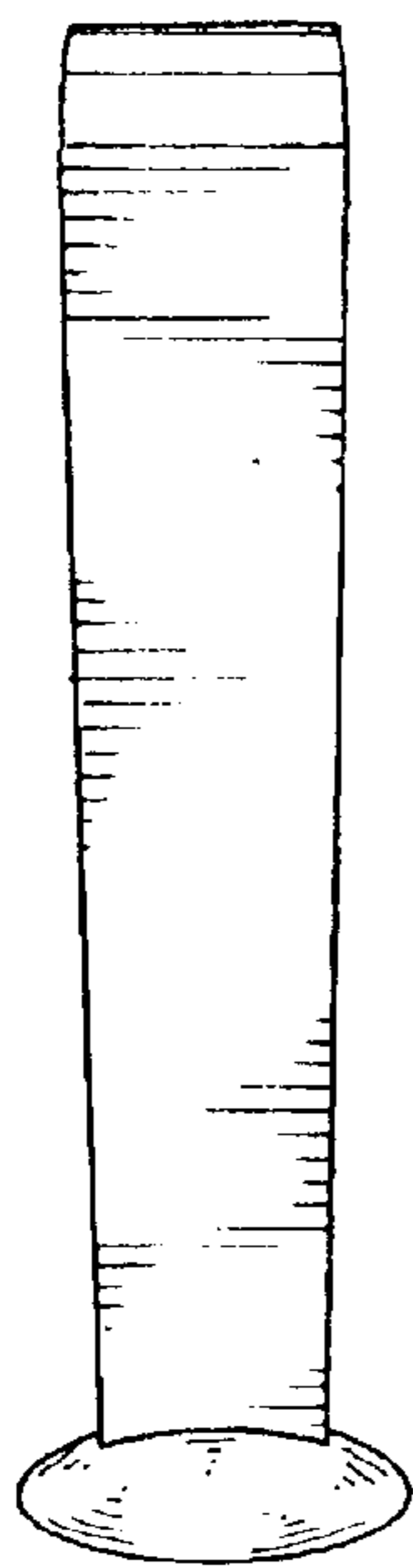


FIG. 3

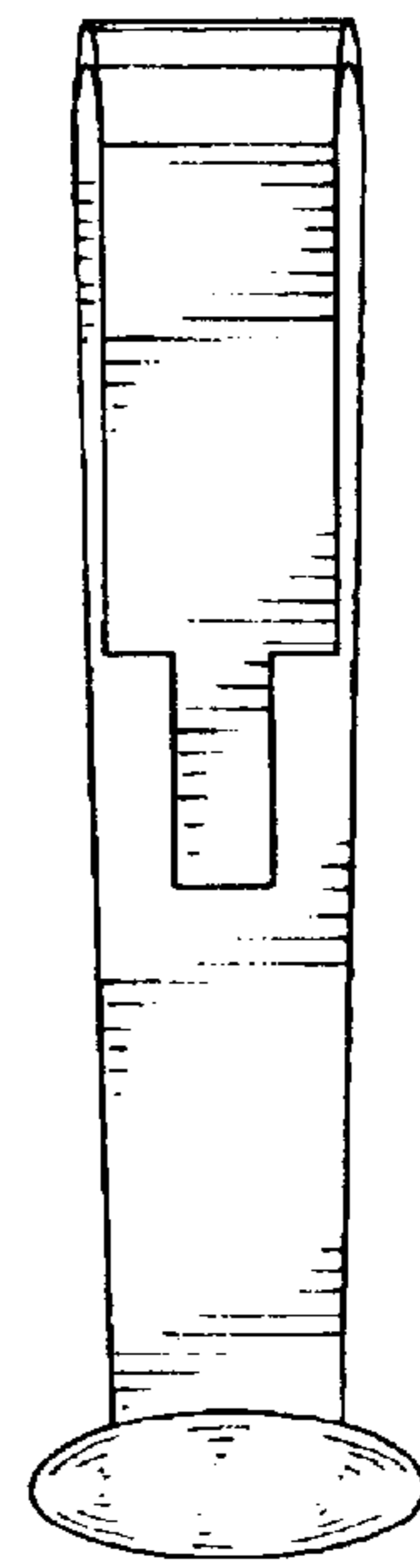


FIG. 4

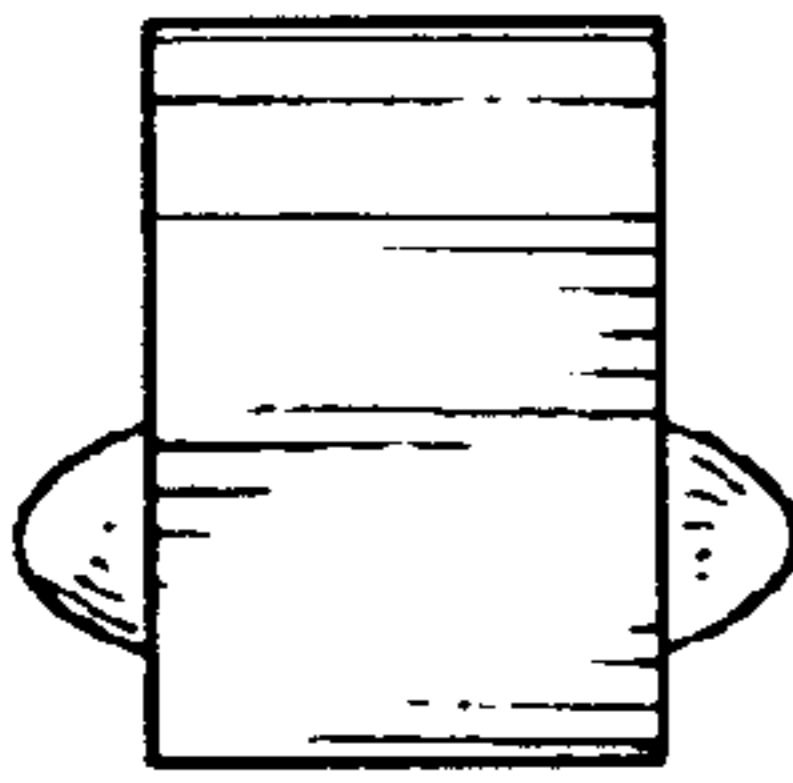


FIG. 5



FIG. 6

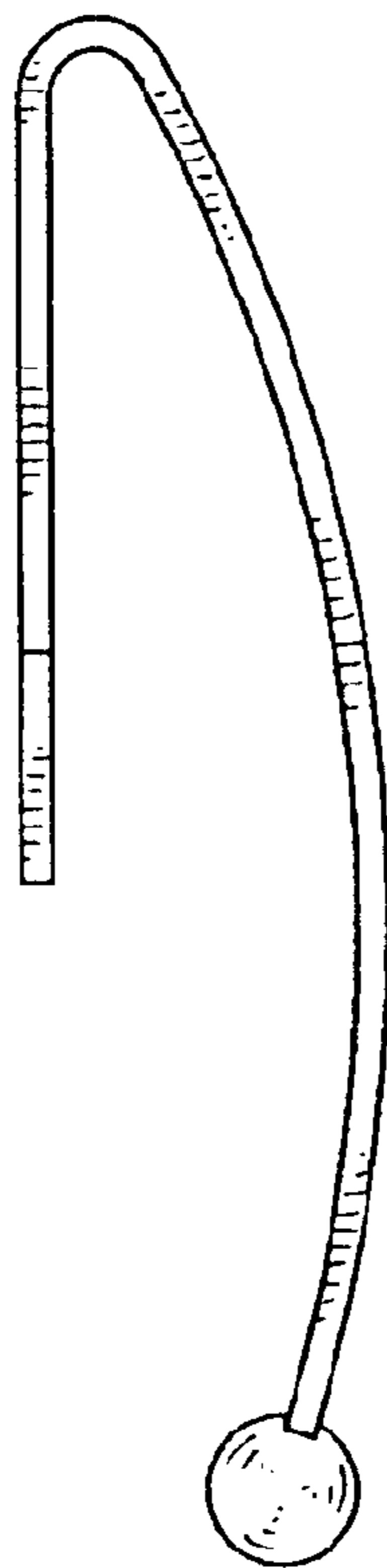


FIG. 7

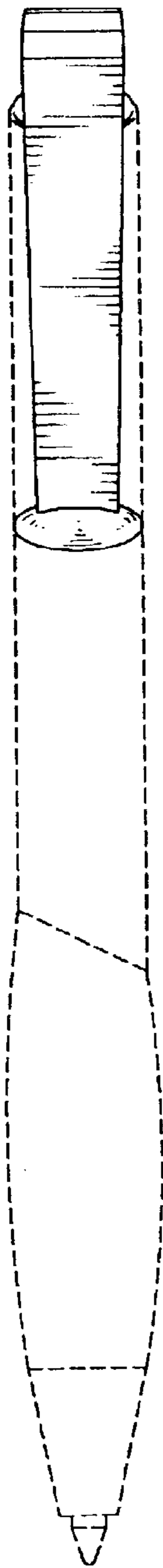


FIG. 8

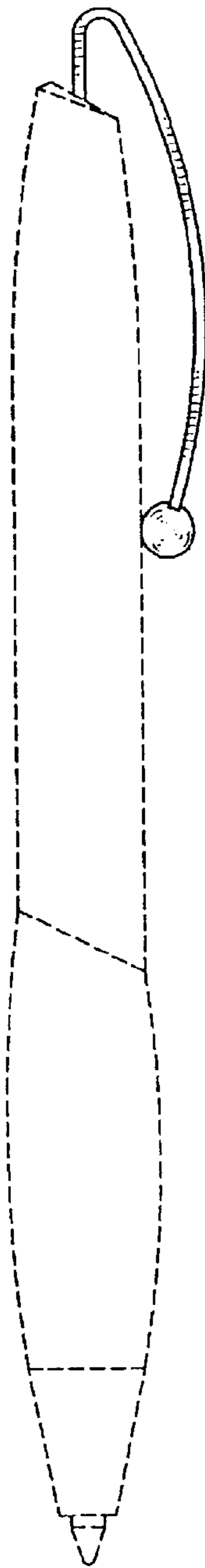


FIG. 9

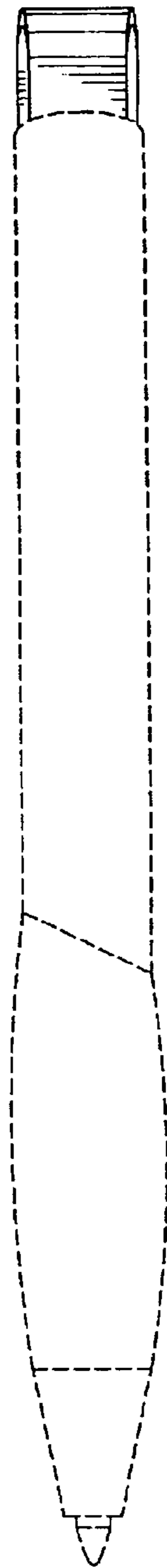


FIG. 10

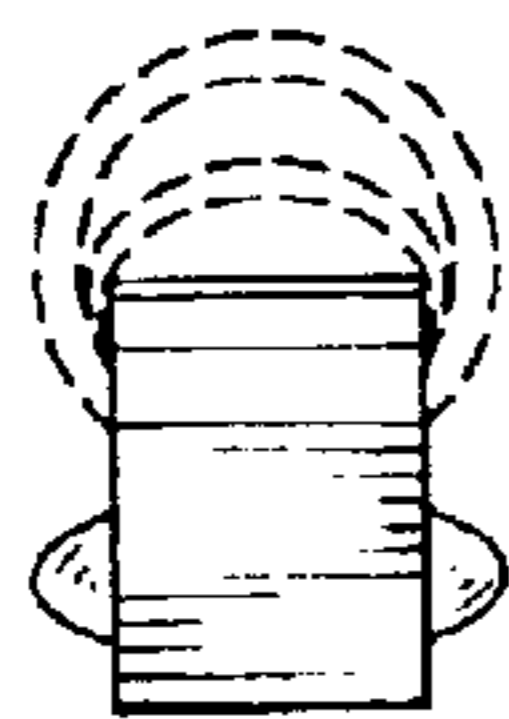


FIG. 11

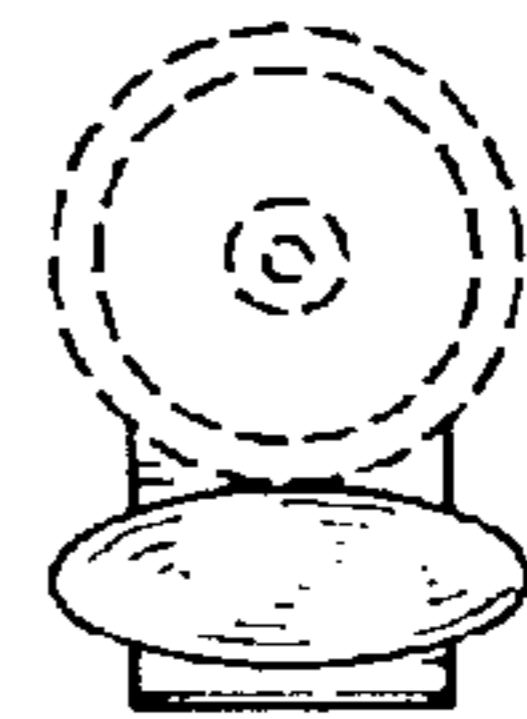


FIG. 12