



US00D462713S

(12) **United States Design Patent**
Funayama et al.

(10) **Patent No.:** **US D462,713 S**

(45) **Date of Patent:** **** Sep. 10, 2002**

(54) **DEVELOPING UNIT FOR AN IMAGE FORMING APPARATUS**

D448,042 S * 9/2001 Hale et al. D18/43
D451,127 S * 11/2001 Katou et al. D18/43

(75) Inventors: **Naotaka Funayama**, Nara-ken (JP);
Jun Yamaguchi, Nara-ken (JP);
Tsutomu Nagata, Osaka-fu (JP);
Yoshiaki Sanada, Nara-ken (JP);
Takahiko Kimura, Nara-ken (JP)

* cited by examiner

Primary Examiner—Caron D. Veynar
(74) *Attorney, Agent, or Firm*—Nixon & Vanderhye P.C.

(73) Assignee: **Sharp Kabushiki Kaisha**, Osaka (JP)

(**) Term: **14 Years**

(57) **CLAIM**

The ornamental design for a developing unit for an image forming apparatus, as shown and described.

(21) Appl. No.: **29/148,030**

DESCRIPTION

(22) Filed: **Sep. 14, 2001**

FIG. 1 is a top, front and right side perspective view of a developing unit for an image forming apparatus according to our design;

(30) **Foreign Application Priority Data**

Mar. 22, 2001 (JP) 2001-007497

FIG. 2 is a front elevational view thereof;

(51) **LOC (7) Cl.** **16-03**

FIG. 3 is a top plan view thereof; and

(52) **U.S. Cl.** **D18/43**

FIG. 4 is a rear elevational view thereof;

(58) **Field of Search** D18/40, 43, 56;
399/24-27, 111, 262; 222/DIG. 1

FIG. 5 is a bottom plan view thereof;

FIG. 6 is a right side elevational view thereof; and,

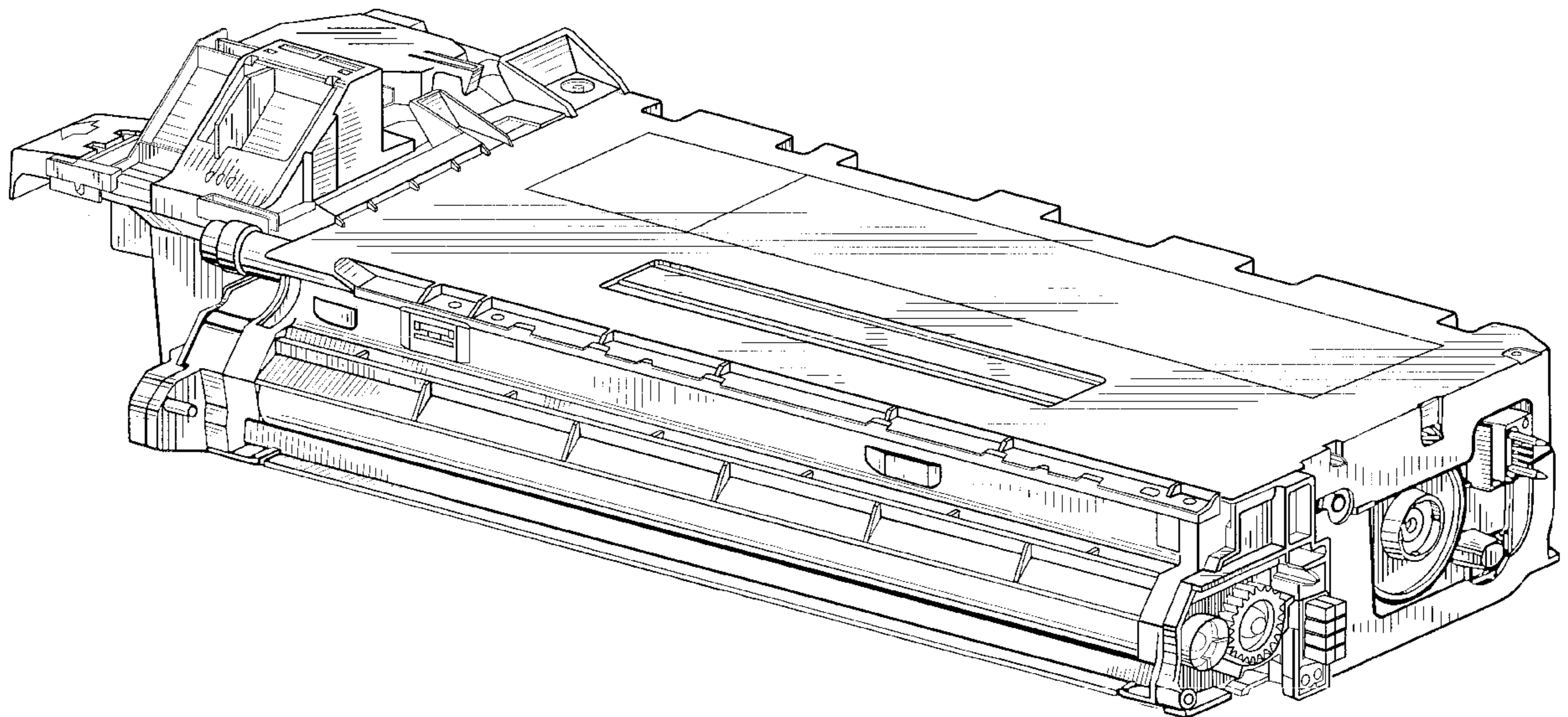
(56) **References Cited**

FIG. 7 is a left side elevational view thereof.

U.S. PATENT DOCUMENTS

D398,633 S * 9/1998 Hashizume et al. D18/40

1 Claim, 4 Drawing Sheets



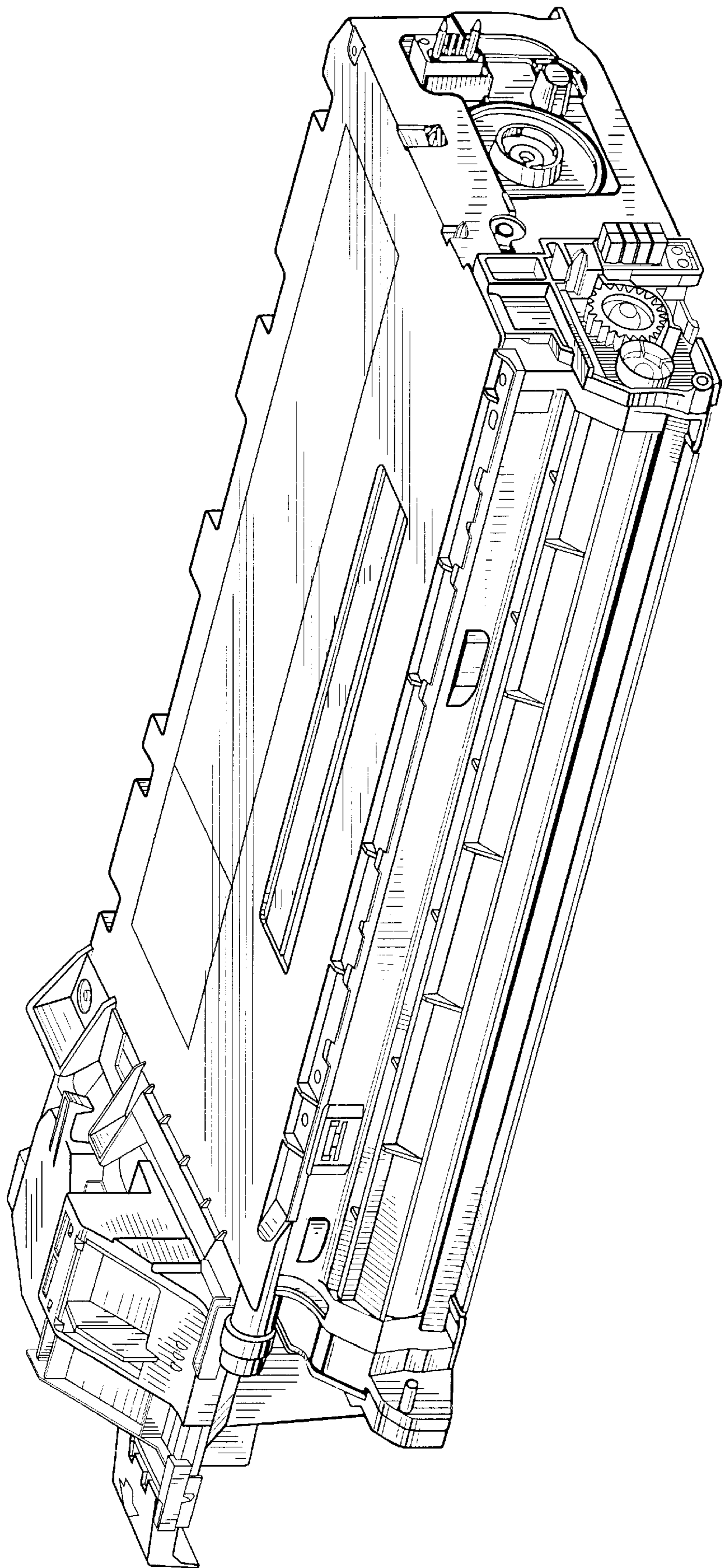


FIG. 1

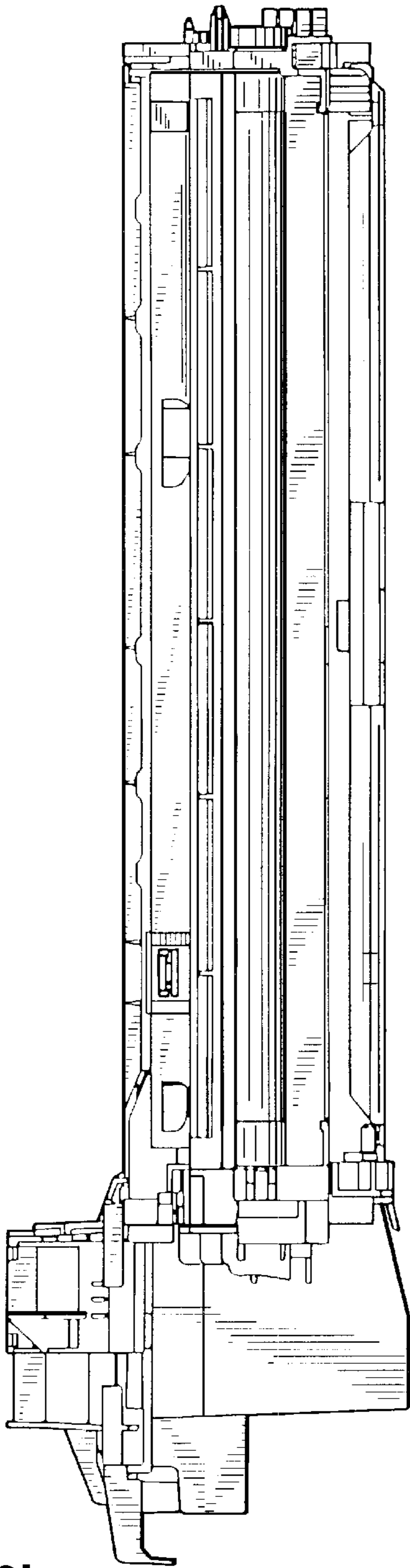


FIG. 2

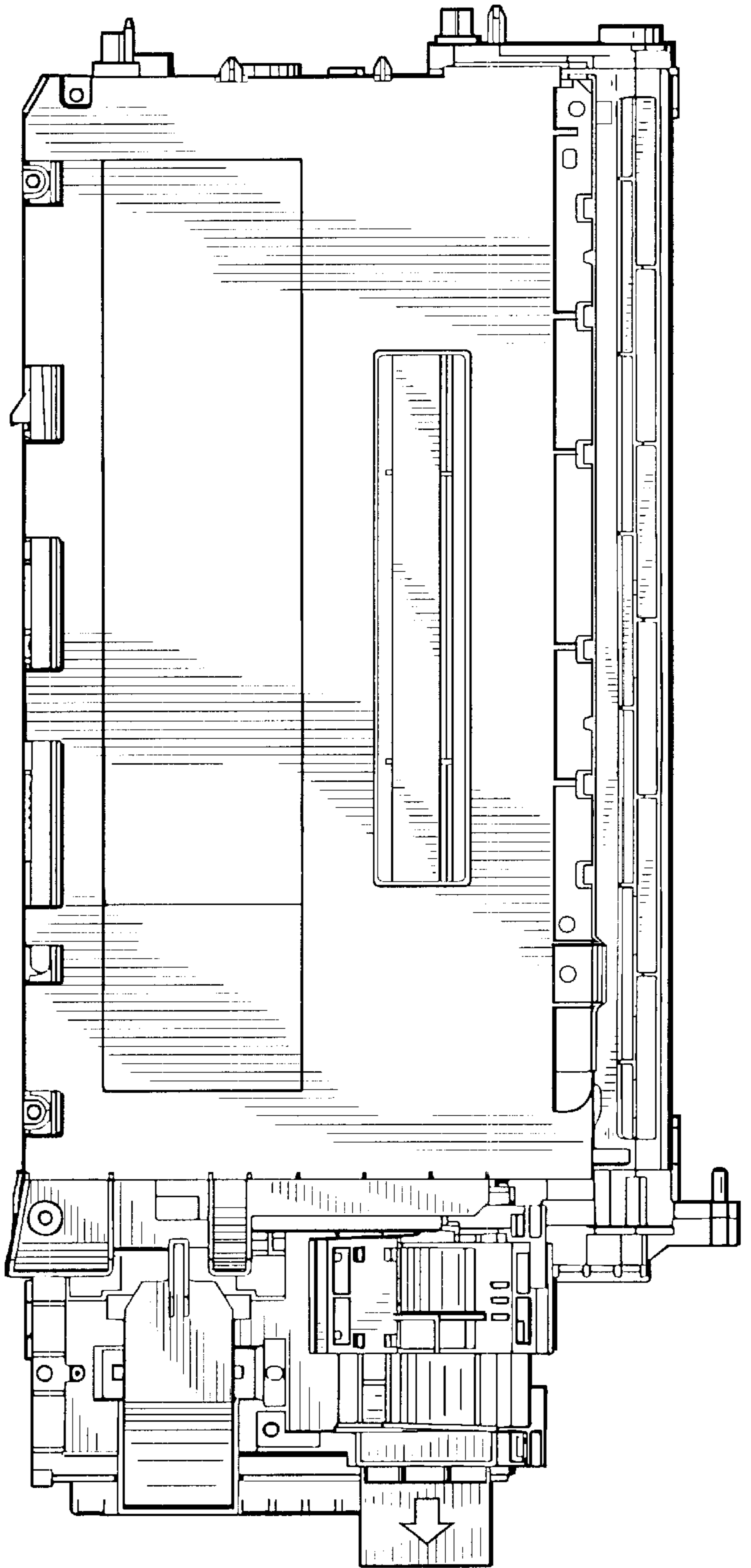


FIG. 3

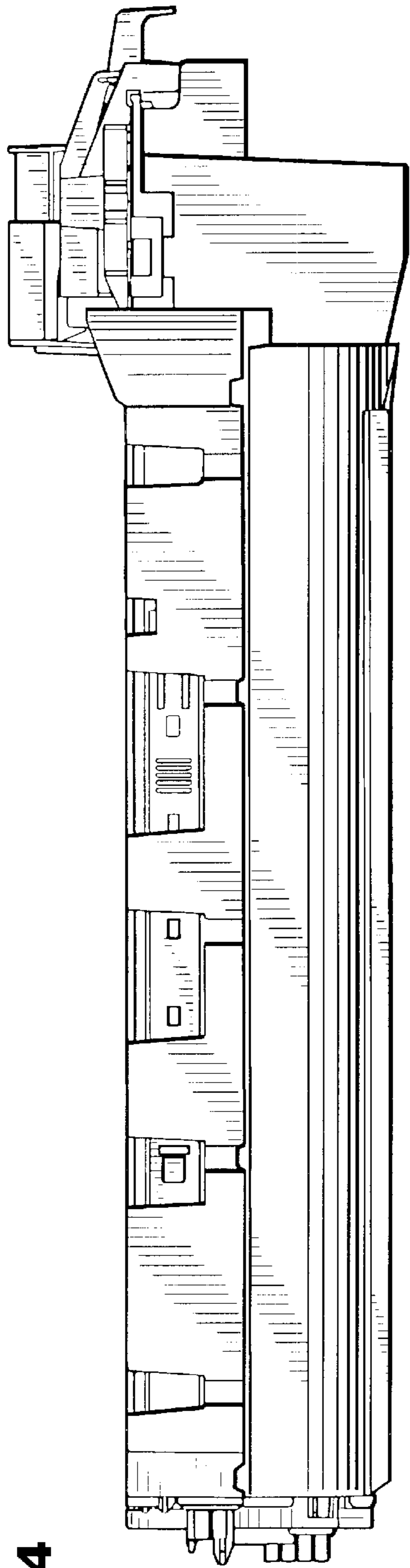


FIG. 4

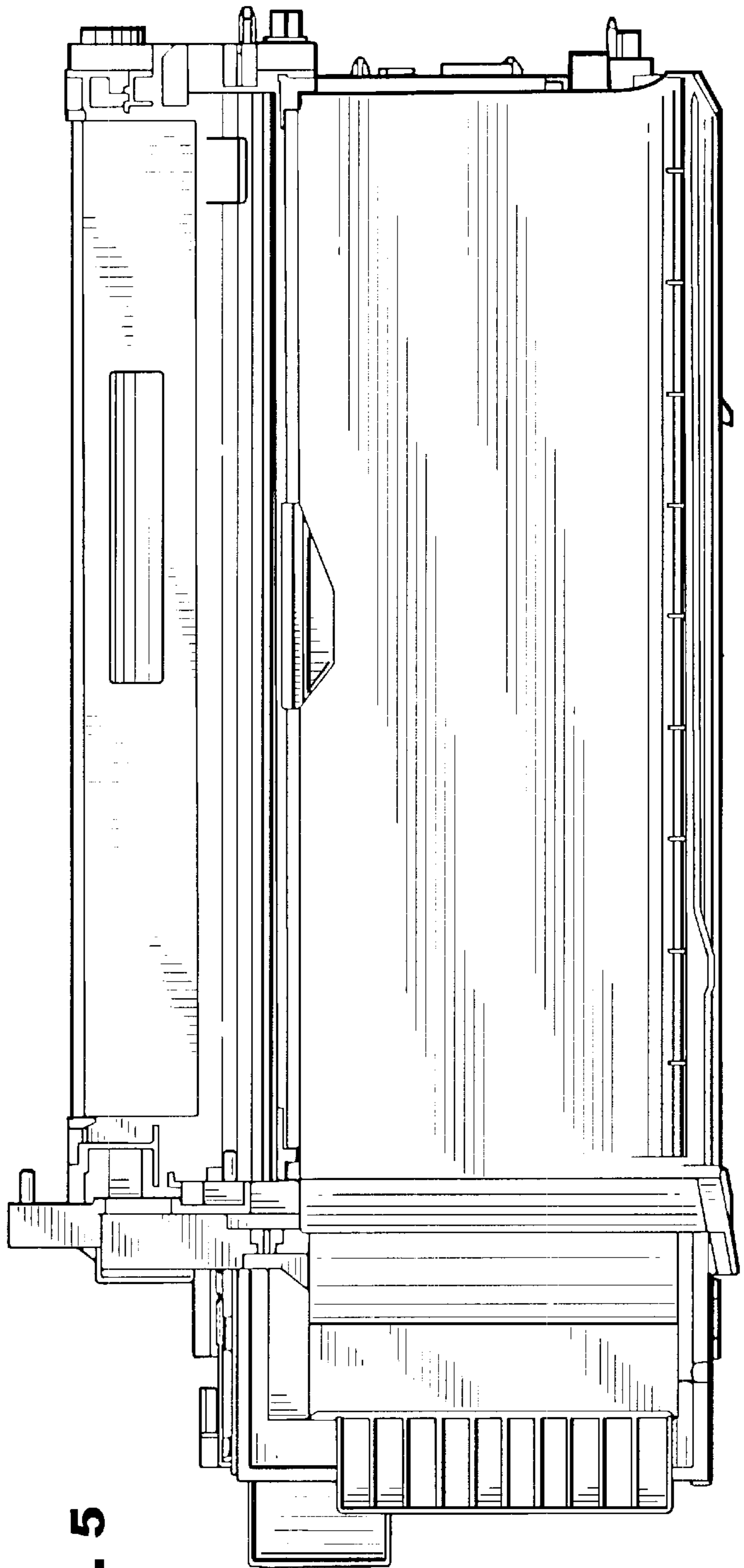


FIG. 5

FIG. 6

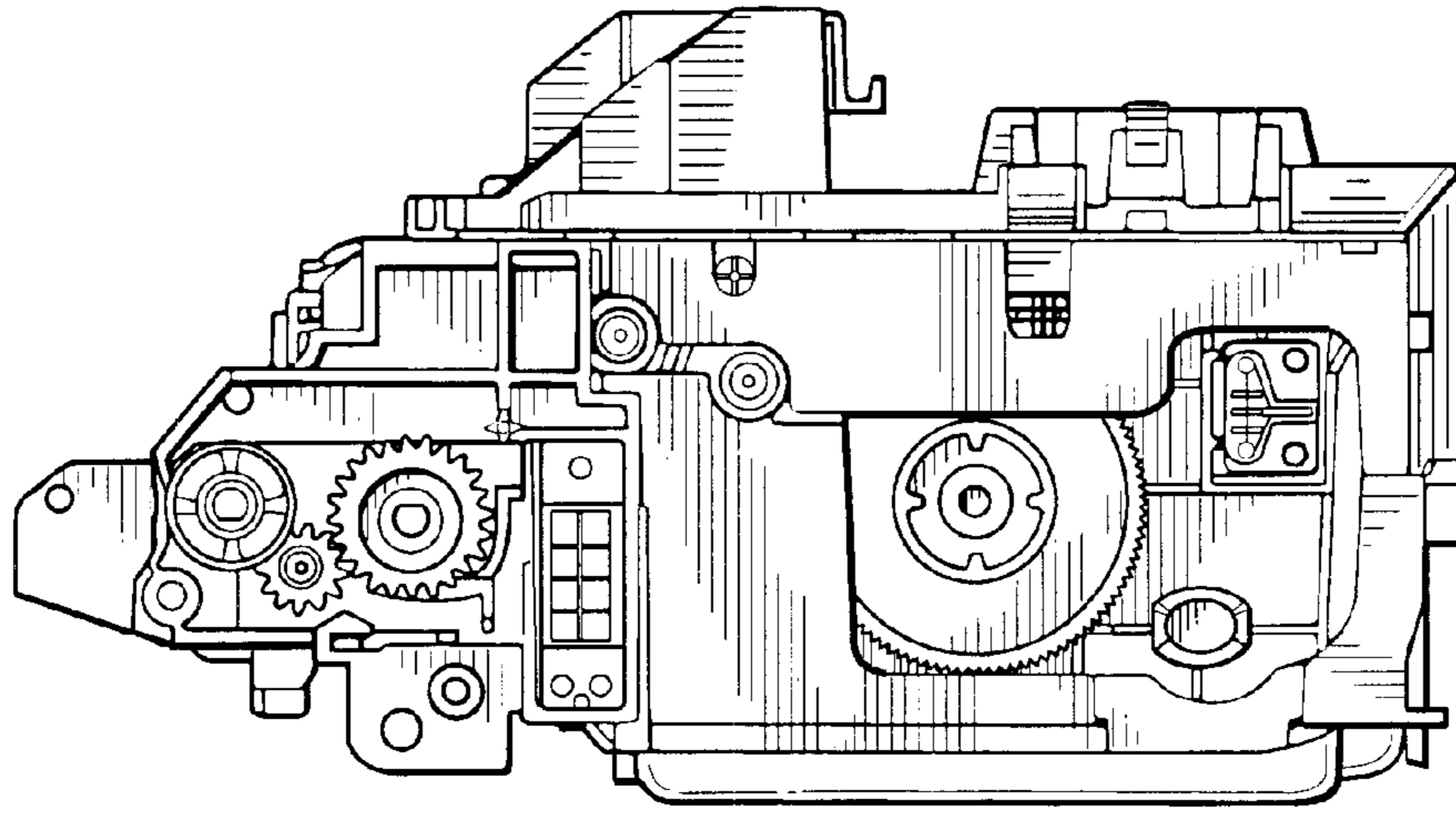


FIG. 7

